



# Tracker

## Safety Information

Valid from Serial No. 49072100000 to 49992399999

**Model**  
TRACKER-EABS

**Part number**  
6158134150



Download the latest version of this document at  
[www.desouttertools.com/?s=6159928470](http://www.desouttertools.com/?s=6159928470)

	<b>⚠ WARNING</b>
	<p>To reduce risk of injury, everyone using, installing, repairing, maintaining, changing accessories on, or working near this tool <b>MUST</b> read and understand these instructions before performing any such task.</p> <p><b>DO NOT DISCARD - GIVE TO USER</b></p>



## Table of Contents

EN	Safety Information.....	3
FR	Informations concernant la sécurité .....	6
DE	Sicherheitshinweise.....	10
ES	Información sobre seguridad.....	13
PT	Informação de Segurança.....	17
IT	Informazioni sulla sicurezza.....	20
NL	Veiligheidsinformatie.....	23
DA	Sikkerhedsoplysninger .....	27
NO	Sikkerhetsinformasjon.....	30
FI	Turvallisuustiedot.....	33
EL	Πληροφορίες για την ασφάλεια .....	36
SV	Säkerhetsinformation .....	40
RU	Информация по технике безопасности .....	43
PL	Informacje dotyczące bezpieczeństwa .....	47
SK	Bezpečnostné informácie .....	50
CS	Bezpečnostní informace .....	54
HU	Biztonsággal kapcsolatos tudnivalók .....	57
SL	Varnostne informacije.....	60
RO	Informații privind siguranța .....	64
TR	Güvenlik bilgileri .....	67
BG	Информация за безопасност.....	70
HR	Sigurnosne informacije .....	74
ET	Ohutus informatsioon.....	77
LT	Saugos informacija.....	80
LV	Drošības informācija .....	84
ZH	安全信息.....	87
JA	安全情報.....	90
KO	안전 정보.....	93

## Technical Data

### Technical data

#### Power supply

Powered by the tool (5 V)

#### Power consumption

2.5 W

#### Weight

0.02 kg  
0.044 lb

#### Storage and use conditions

Storage temperature	-20 to +70 °C (-4 to +158 F)
Operating temperature	0 to 45 °C (32 to 113 F)
Storage humidity	0-95 % RH (non-condensing)
Operating humidity	0-90 % RH (non-condensing)
Altitude up to	2000 m (6562 feet)
Usable in Pollution degree 2 environment	
Indoor use only	

#### Wireless Communication specifications

<b>Channel</b>	<b>1</b>
Centre Frequency (MHz)	3494.4
Frequency (MHz) *	3244.8 – 3744
Bandwidth (MHz) *	499.2
Max. value of peak power (dBm)	< 0
Authorized countries **	USA

<b>Channel</b>	<b>2 (default)</b>
Centre Frequency (MHz)	3993.6
Frequency (MHz) *	3774 – 4243.2
Bandwidth (MHz) *	499.2
Max. value of peak power (dBm)	< 0
Authorized countries **	Europe, USA

<b>Channel</b>	<b>3</b>
Centre Frequency (MHz)	4492.8
Frequency (MHz) *	4243.2 – 4742.4
Bandwidth (MHz) *	499.2
Max. value of peak power (dBm)	< 0
Authorized countries **	Europe, USA

<b>Channel</b>	<b>4</b>
Centre Frequency (MHz)	3993.6

Frequency (MHz) *	3228 – 4659.2
Bandwidth (MHz) *	1331.2
Max. value of peak power (dBm)	< 0
Authorized countries **	Europe, USA

<b>Channel</b>	<b>5</b>
Centre Frequency (MHz)	6489.6
Frequency (MHz) *	6240 – 6739.2
Bandwidth (MHz) *	499.2
Max. value of peak power (dBm)	< 0
Authorized countries **	Europe, USA

<b>Channel</b>	<b>7</b>
Centre Frequency (MHz)	6489.6
Frequency (MHz) *	5980.3 – 6998.9
Bandwidth (MHz) *	1081.6
Max. value of peak power (dBm)	< 0
Authorized countries **	USA

\*: according to UWB IEEE802.15.4-2011

\*\* : before using, note that the Tracker must be set to be compliant to local regulations. Some channel may be locally prohibited. Contact your Desoutter representative for more information.

Interferences between devices using UWB system (IEEE 802.14.5) may occur. Some mitigations measures can be used to avoid or reduce these interferences as:

- Reduce the Max Radio Coverage from the Tracking Base with CVI Monitor
- Increase the distance between the devices

## Declarations

### EU DECLARATION OF CONFORMITY

We, Ets Georges Renault, 38 rue Bobby Sands, 44818 Saint Herblain, France, declare under our sole responsibility that the product (with name, type and serial number, see front page) is in conformity with the following Directive(s):

**2011/65/EU, 2014/53/EU**

Harmonized standards applied:

**EN 62841-2-2:2014+C1:2016; EN 62311: 2008; EN 302 065-2 v2.1.1; EN 301 489-33 v2.2.1; EN 301 489-1 v2.2.3; EN 61000-6-2:2019**

Authorities can request relevant technical information from:

Pascal ROUSSY, R&D Manager, 38 rue Bobby Sands, 44818 Saint Herblain, France



## Safety Information

Saint Herblain, 2022/07/04

Pascal ROUSSY, R&D Manager



### EU-type Examination

The notified body **EMITECH** with identification number **0536** performed the conformity assessment of the technical documentation according to the procedure of Annex III (Module B) of Directive 2014/53/UE and issued the EU type examination certificate **21-I037\_C**.

### UK Declaration of Conformity

We Ets Georges Renault, 38 rue Bobby Sands, 44818 Saint Herblain, France, declare under our sole responsibility that the product (with name, type and serial number, see front page) is in conformity with the following UK Regulation(s):



**The Restriction of the Use of Certain Hazardous Substances in Electrical and Electronic Equipment Regulations 2012**

#### Radio Equipment Regulations 2017

Designated Standards applied:

EN 62841-2-2:2014+C1:2016; EN 62311: 2008; EN 302 065-2:2016 v2.1.1; EN 301 489-33:2017 v2.2.0; EN 301 489-1:2019 v2.2.3; EN 61000-6-2:2019

Saint-Herblain, 2022/02/02

Pascal ROUSSY, R&D Manager



Authorities can request relevant technical information from:

#### UK Authorized Representative:

Air Compressors & Tools Ltd

Zodiac – Unit 4, Boundary way

Hemel Hempstead Industrial Estate, HP27SJ Hemstead

Hertfordshire – UK

Contact: M.Taylor

### WEEE

Information concerning **Waste of Electrical and Electronic Equipment (WEEE)**:

This product and its information, meets the requirements of the WEEE directive/regulations (2012/19/EU), and must be handled in compliance with the directive/regulations.

The product is marked with the following symbol:



Products marked with a crossed-out wheeled bin symbol and a single black bar underneath, contain parts that must be handled in compliance with the WEEE directive/regulations. The entire product, or the WEEE parts, can be sent to your “Customer Center” for handling.

### FCC compliance Class A

This device complies with Part 15 of the FCC Rules. Any changes or modifications not expressly approved by the manufacturer could void the user’s authority to operate this device.

Operation is subject to the following two conditions:(1) this device may not cause harmful interference, and (2) this device must accept any interference received, including interference that may cause undesired operation.

#### FCC Responsible party:

**Name:** Mark Johnson

**Position:** General Manager

**Address:** Chicago Pneumatic Tool Company  
LLC 1815 Clubhouse Road Rock Hill  
SC 29730

USA

**Mobile:** +1 800 624 4735

**Email:** mark.johnson@desouttertools.com

- ⓘ NOTE: This equipment has been tested and found to comply with the limits for a Class A digital device, pursuant to Part 15 of the FCC Rules. These limits are designed to provide reasonable protection against harmful interference when the equipment is operated in a commercial environment. This equipment generates, uses, and can radiate radio frequency energy and, if not installed and used in accordance with the instruction manual, may cause harmful interference to radio communications. Operation of this equipment in a residential area is likely to cause harmful interference in which case the user will be required to correct the interference at his own expense. Any changes or modifications to this equipment not expressly approved by Desoutter may cause, harmful interference and void the FCC authorization to operate this equipment.

### IC compliance Class A

CAN ICES-3(A)/NMB-3(A)

(English) This device complies with Innovation, Science and Economic Development Canada’s licence-exempt RSSs. Operation is subject to the following two conditions:

- 1) This device may not cause interference; and
- 2) This device must accept any interference, including interference that may cause undesired operation of the device.

(French) Le présent appareil est conforme aux CNR d’Innovation, Sciences et Développement économique Canada applicables aux appareils radio exempts de licence. L’exploitation est autorisée aux deux conditions suivantes:

- 1) l’appareil ne doit pas produire de brouillage;
- 2) l’appareil doit accepter tout brouillage radioélectrique subi, même si le brouillage est susceptible d’en compromettre le fonctionnement

## Regional Requirements

### **⚠️ WARNING**

This product can expose you to chemicals including lead, which is known to the State of California to cause cancer and birth defects or other reproductive harm. For more information go to

<https://www.p65warnings.ca.gov/>

## Information Regarding Article 33 in REACH

The European Regulation (EU) No. 1907/2006 on Registration, Evaluation, Authorization and restriction of Chemicals (REACH) defines among other things requirements related to communication in the supply chain. The information requirement applies also to products containing so called Substances of Very High Concern (the “Candidate List”). On 27 June 2018 lead metal (CAS nr 7439-92-1) was added to the Candidate List.

In accordance with the above this is to inform you that certain electrical and mechanical components in the product may contain lead metal. This is in compliance with current substance restriction legislation and based on legit exemptions in the RoHS Directive (2011/65/EU). Lead metal will not leak or mutate from the product during normal use and the concentration of lead metal in the complete product is well below the applicable threshold limit. Please consider local requirements on the disposal of lead at product end of life.

## Safety

DO NOT DISCARD - GIVE TO USER

### **⚠️ WARNING Read all safety warnings, instructions, illustrations and specifications provided with this product.**

Failure to follow all instructions listed below may result in electric shock, fire, property damage and/or serious injury.

Save all warnings and instructions for future reference.

### **⚠️ WARNING All locally legislated safety rules regarding installation, operation and maintenance shall be respected at all times.**

## Statement of Use

- For professional use only.
- This product and its accessories must not be modified in any way.
- Do not use this product if it has been damaged.
- If the product data or hazard warning signs on the product cease to be legible or become detached, replace without delay.
- The product must only be installed, operated and serviced by qualified personnel in an industrial environment.

## Intended use

The tracker is designed for being installed on Desoutter EABS cordless nutrunners (see list below). No other use permitted. For professional use only.

Model	Part number
EABS8-1500-4S	6151660870
EABS8-1500-4Q	6151660880
EABS12-1100-4S	6151660890
EABS12-1100-10S	6151660900
EABS12-1100-4Q	6151660910
EABS17-800-4S	6151660920
EABS17-800-10S	6151660930
EABS17-800-4Q	6151660940
EABS24-500-10S	6151660950
EABS24-500-4Q	6151660960

Trackers communicate with tracking bases installed in workstations via UWB (Ultra-Wide Band) technology.

Model	Part number
Tracking base	6158133350

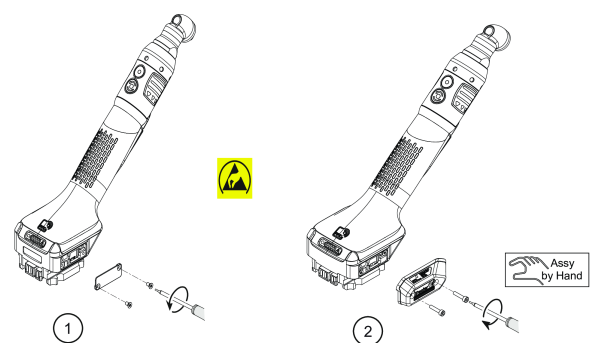
## Product Specific Instructions

### Minimum firmware and software releases

Product	Release
EABS	V 6.0.x
CONNECT	V 2.1.5.x
CVI CONFIG	V 2.3.4.x

## Installing the tracker

Remove the battery pack before assembly.



### **⚠️ WARNING Risk of Antistatic Discharge**



There is a risk of antistatic discharge if you do not ground yourself.

- ▶ Wear an antistatic wrist strap.

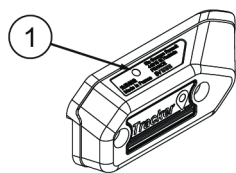
1. Remove the cover plate. Retain it for later use if required.

## Safety Information

- Put the tracker into place.  
Tighten by hand.

### How to power on and enable the tracker

Plug a battery pack to the tool.



- Indicator

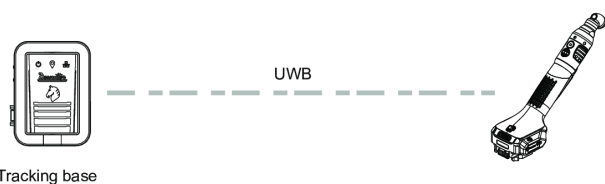
The indicator blinks 5 seconds in green during the startup indicating that the power supply is correctly provided by the tool.

If the indicator blinks in red, it means no firmware or corrupted firmware has been installed on the tracker.

Go to CONNECT to enable the tracker.

- Refer to the Product Instructions of the Tracking base (printed matter No. 6159925540) available at <https://www.desouttertools.com/resource-centre>.

The tracker will then communicate with the dedicated tracking base via UWB.



Tracker firmware upgrade process is explained inside the following document:

- Refer to the Product Instructions of the Tracking base (printed matter No. 6159925540) available at <https://www.desouttertools.com/resource-centre>.
- Tracking base model type:

Tracking base type model	Tracking base serial number index	Date of production
CE only	4900xxxxxxx to 4903xxxxxxx From index = 0 to 3	Before 2021
CE & FCC	4904xxxxxxx and later From index = 4	After 2021

LED color	Description
green - steady	The communication with the tracking base is established.
red - steady	The communication with the tracking base is not established.

LED color	Description
blue - steady	The tracking base is disconnected or not visible from Tracker.

### Safety instructions

Read the Safety Information referenced 6159925210 delivered with the tool or available at <https://www.desouttertools.com/resource-centre>.

### Useful Information

#### Website

Information concerning our Products, Accessories, Spare Parts and Published Matters can be found on the Desoutter website.

Please visit: [www.desouttertools.com](http://www.desouttertools.com).

#### Information about installation manuals

Detailed operating instructions, installation and upgrade manuals are available at <https://www.desouttertools.com/resource-centre>.

#### Information about spare parts

Exploded views and spare parts lists are available in Service Link at [www.desouttertools.com](http://www.desouttertools.com).

#### Country of origin

France

#### Safety Data Sheets MSDS/SDS

The Safety Data Sheets describe the chemical products sold by Desoutter.

Please consult the Desoutter website for more information <https://www.desouttertools.com/legal/sds>.

#### Copyright

© Copyright 2022, Ets Georges Renault, 38 rue Bobby Sands, 44818 Saint Herblain, France

All rights reserved. Any unauthorized use or copying of the contents or part thereof is prohibited. This applies in particular to trademarks, model denominations, part numbers and drawings. Use only authorized parts. Any damage or malfunction caused by the use of unauthorised parts is not covered by Warranty or Product Liability.

### Caractéristiques techniques

#### Caractéristiques techniques

##### Alimentation électrique

Alimenté par l'outil (5 V)

### Consommation électrique

2,5 W

### Poids

0,02 kg  
0,044 lb

### Conditions de stockage et d'utilisation

Température de stockage	-20 à +70 °C (-4 à +158 F)
Température de fonctionnement	0 à 45 °C (32 à 122 °F)
Humidité de stockage	0-95 % RH (sans condensation)
Humidité de fonctionnement	0-90 % RH (sans condensation)
Altitude maximale	2 000 m (6 562 pieds)
Utilisable dans un environnement de pollution de degré 2	
Utilisation en intérieur uniquement	

### Caractéristiques techniques de la communication sans fil

<b>Canal</b>	<b>1</b>
Fréquence centrale (MHz)	3494,4
Fréquence (MHz) *	3244,8 – 3744
Bande passante (MHz) *	499,2
Valeur maxi. de la puissance en crête (dBm)	< 0
Pays autorisés **	États-Unis

<b>Canal</b>	<b>2 (par défaut)</b>
Fréquence centrale (MHz)	3993,6
Fréquence (MHz) *	3774 – 4243,2
Bande passante (MHz) *	499,2
Valeur maxi. de la puissance en crête (dBm)	< 0
Pays autorisés **	Europe, États-Unis

<b>Canal</b>	<b>3</b>
Fréquence centrale (MHz)	4492,8
Fréquence (MHz) *	4243,2 – 4742,4
Bande passante (MHz) *	499,2
Valeur maxi. de la puissance en crête (dBm)	< 0
Pays autorisés **	Europe, États-Unis

<b>Canal</b>	<b>4</b>
Fréquence centrale (MHz)	3993,6
Fréquence (MHz) *	3228 – 4659,2

Bande passante (MHz) *	1331,2
Valeur maxi. de la puissance en crête (dBm)	< 0
Pays autorisés **	Europe, États-Unis

<b>Canal</b>	<b>5</b>
Fréquence centrale (MHz)	6489,6
Fréquence (MHz) *	6240 – 6739,2
Bande passante (MHz) *	499,2
Valeur maxi. de la puissance en crête (dBm)	< 0
Pays autorisés **	Europe, États-Unis

<b>Canal</b>	<b>7</b>
Fréquence centrale (MHz)	6489,6
Fréquence (MHz) *	5980,3 – 6998,9
Bande passante (MHz) *	1081,6
Valeur maxi. de la puissance en crête (dBm)	< 0
Pays autorisés **	États-Unis

\* : conformément à UWB IEEE802.15.4-2011

\*\* : avant l'utilisation, notez que le Tracker doit être réglé pour être conforme aux réglementations locales. Certains canaux peuvent être interdits localement. Contacter votre représentant Desoutter pour plus d'informations.

Des interférences entre les appareils utilisant le système UWB (IEEE 802.14.5) peuvent se produire. Certaines mesures d'atténuation peuvent être utilisées pour éviter ou réduire ces interférences, telles que :

- Réduire la couverture radio maximale de la base de suivi avec CVI Monitor
- Augmenter la distance entre les appareils

## Déclarations

### DÉCLARATION DE CONFORMITÉ UE

Nous, **Ets Georges Renault**, 38 rue Bobby Sands, 44818 Saint Herblain, France, déclarons sous notre seule et entière responsabilité que le produit (dont le nom, le type et le numéro de série figurent en première page) est en conformité avec la ou les directives suivantes :



**2011/65/EU, 2014/53/EU**

Normes harmonisées appliquées :

**EN 62841-2-2:2014+C1:2016; EN 62311: 2008; EN 302 065-2 v2.1.1; EN 301 489-33 v2.2.1; EN 301 489-1 v2.2.3; EN 61000-6-2:2019**

Les autorités peuvent obtenir les informations techniques pertinentes en s'adressant à :  
Pascal ROUSSY, R&D Manager, 38 rue Bobby Sands, 44818 Saint Herblain, France

## Safety Information

Saint Herblain, 2022/07/04  
Pascal ROUSSY, R&D Manager

### Type d'examen UE

L'organisme notifié **EMITECH** avec le numéro d'identification **0536** a effectué l'évaluation de la conformité de la documentation technique selon la procédure de l'annexe III (module B) de la directive 2014/53/UE et a délivré l'attestation d'examen UE de type **21-I037\_C**.

### DEEE

Information sur les **déchets d'équipements électriques et électroniques (DEEE)** :

Ce produit et les informations le concernant sont conformes à la directive/règlement DEEE (2012/19/EU). Ils doivent donc être traités conformément à la directive/règlement.

Le produit porte le symbole suivant :



Les produits marqués d'un symbole de poubelle barrée et d'une seule barre noire en dessous, contiennent des pièces qui doivent être manipulées conformément à la directive/règlement DEEE. Le produit entier ou les composants DEEE peuvent être envoyés à notre « Centre clientèle » pour traitement.

### Conformité IC Classe A

CAN ICES-3(A)/NMB-3(A)

(English) This device complies with Innovation, Science and Economic Development Canada's licence-exempt RSSs. Operation is subject to the following two conditions:

- 1) This device may not cause interference; and
- 2) This device must accept any interference, including interference that may cause undesired operation of the device.

(French) Le présent appareil est conforme aux CNR d'Innovation, Sciences et Développement économique Canada applicables aux appareils radio exempts de licence. L'exploitation est autorisée aux deux conditions suivantes:

- 1) l'appareil ne doit pas produire de brouillage;
- 2) l'appareil doit accepter tout brouillage radioélectrique subi, même si le brouillage est susceptible d'en compromettre le fonctionnement

### Spécificités régionales

#### ⚠ AVERTISSEMENT

Ce produit peut vous exposer à des produits chimiques comme le plomb qui est reconnu par l'État de Californie comme cancérigène et causant des malformations congénitales ou autres anomalies de la reproduction. Pour de plus amples informations

<https://www.p65warnings.ca.gov/>

### Informations concernant l'article 33 de REACH

Le règlement européen (UE) n° 1907/2006 sur l'enregistrement, l'évaluation et l'autorisation des substances chimiques, ainsi que les restrictions applicables à ces substances (REACH) définit entre autres les exigences relatives à la communication dans la chaîne d'approvisionnement. L'obligation d'information s'applique également aux produits contenant des substances dites extrêmement préoccupantes (la « Liste des substances candidates »). Le 27 juin 2018, le plomb (n° CAS 7439-92-1) a été ajouté à la Liste des substances candidates.

Conformément à ce qui précède, ceci est pour vous informer que certains composants électriques et mécaniques du produit peuvent contenir du plomb. Ceci est conforme à la législation en vigueur en matière de restriction des substances et se fonde sur les exemptions légales prévues par la directive RoHS (2011/65/UE). Le plomb ne fuira pas ou ne mutera pas du produit lors d'une utilisation normale et la concentration de plomb dans le produit complet est bien en dessous du seuil limite applicable. Veuillez tenir compte des exigences locales concernant l'élimination du plomb en fin de vie du produit.

### Sécurité

NE PAS JETER - REMETTRE À L'UTILISATEUR

⚠ **AVERTISSEMENT Lire l'ensemble des mises en garde et consignes de sécurité ainsi que les illustrations et les caractéristiques techniques fournies avec ce produit.**

Le non-respect de toutes les instructions répertoriées ci-dessous peut entraîner un choc électrique, un incendie, des dégâts matériels ou un grave accident corporel.

**Conservé l'ensemble des mises en garde et consignes pour pouvoir les consulter ultérieurement.**

⚠ **AVERTISSEMENT Toutes les réglementations locales de sécurité en matière d'installation, d'utilisation et de réparation doivent toujours être respectées.**

#### Utilisation prévue

- Pour utilisation professionnelle uniquement.
- Ce produit et ses accessoires ne doivent être modifiés en aucune manière.
- Ne pas utiliser ce produit s'il a subi des dégâts.
- Si les vignettes apposées sur le produit pour indiquer les données du produit ou des mises en garde ne sont plus lisibles ou se décollent, les remplacer sans attendre.
- Le produit ne doit être installé que par un personnel qualifié, dans un environnement industriel.

#### Utilisation prévue

Le tracker est conçu pour être installé sur les boulonneuses sans fil Desoutter EABS (voir la liste ci-dessous). Aucune autre utilisation n'est autorisée. Pour utilisation professionnelle uniquement.



Modèle	Référence
EABS8-1500-4S	6151660870
EABS8-1500-4Q	6151660880
EABS12-1100-4S	6151660890
EABS12-1100-10S	6151660900
EABS12-1100-4Q	6151660910
EABS17-800-4S	6151660920
EABS17-800-10S	6151660930
EABS17-800-4Q	6151660940
EABS24-500-10S	6151660950
EABS24-500-4Q	6151660960

Les trackers communiquent avec les bases de suivi installées sur les postes de travail via la technologie UWB (Ultra-Wide Band).

Modèle	Référence
Base de suivi	6158133350

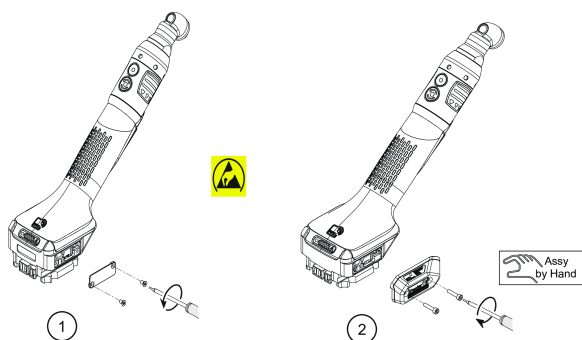
### Instructions spécifiques au produit

#### Firmware minimum et versions du logiciel

Produit	Version
EABS	V 6.0.x
CONNECT	V 2.1.5.x
CVI CONFIG	V 2.3.4.x

#### Installer le tracker

Retirer le bloc-batterie avant le montage.



#### ⚠️ AVERTISSEMENT Risque de décharge antistatique



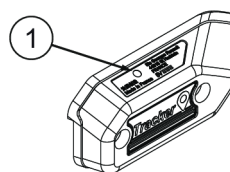
Il existe un risque de décharge antistatique si vous ne vous déchargez pas de l'électricité statique.

- Portez un bracelet antistatique.

1. Retirez le couvercle.  
Le conserver pour une éventuelle utilisation ultérieure.
2. Mettre en place le tracker.  
Serrer à la main.

#### Comment allumer et activer le tracker

Brancher un bloc-batterie sur l'outil.



1 Témoin

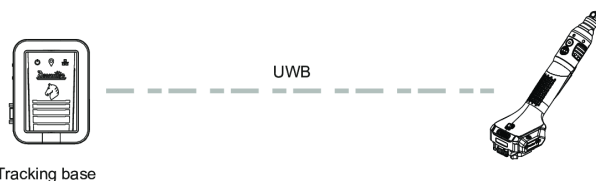
Le témoin clignote 5 secondes en vert pendant le démarrage pour indiquer que l'outil est correctement relié à l'alimentation électrique.

Si le témoin clignote en rouge, cela signifie qu'aucun firmware ou un firmware corrompu a été installé sur le tracker.

Accédez à CONNECT pour activer le tracker.

- ⓘ Consultez les Instructions produit de la base de suivi (document imprimé n° 6159925540) disponibles sur <https://www.desouttertools.com/resource-centre>.

Le tracker communiquera ensuite avec la base de suivi dédiée via UWB.



Le processus de mise à niveau du firmware du tracker est expliqué dans le document suivant :

- Consultez les Instructions produit de la base de suivi (document imprimé n° 6159925540) disponibles sur <https://www.desouttertools.com/resource-centre>.
- Type de modèle de base de suivi :

Modèle de type de base de suivi	Numéro de série de la base de suivi	Date de production
CE uniquement	De 4900xxxxxxx à 4903xxxxxxx Depuis l'indice = 0 à 3	Avant 2021
CE & FCC	4904xxxxxxx et ultérieur Depuis l'indice = 4	Après 2021

Couleur de LED	Description
vert - fixe	La communication est établie avec la base de suivi.
rouge - fixe	La communication n'est pas établie avec la base de suivi.
bleu - fixe	La base de suivi est déconnectée ou n'est pas visible depuis le Tracker.

## Safety Information

### Consignes de sécurité

Lisez les Informations de sécurité, référence n° 6159925210, fournies avec l'outil ou disponibles sur <https://www.desouttertools.com/resource-centre>.

### Informations utiles

#### Site web

Des informations à propos de nos Produits, Accessoires, Pièces de rechange et Documentation sont disponibles sur le site Web de Desoutter.

Veuillez consulter : [www.desouttertools.com](http://www.desouttertools.com).

#### Informations sur les manuels d'installation

Des informations détaillées sur la notice d'utilisation, d'installation et sur la mise à jour sont disponibles sur <https://www.desouttertools.com/resource-centre>.

#### Informations sur les pièces de rechange

Les vues éclatées et les nomenclatures de pièces détachées sont disponibles en Service Link sur [www.desouttertools.com](http://www.desouttertools.com).

#### Pays d'origine

France

#### Fiches de données de sécurité FDS

Les Fiches de données de sécurité décrivent les produits chimiques vendus par Desoutter.

Veuillez consulter le site Web Desoutter pour plus d'informations <https://www.desouttertools.com/legal/sds>.

#### Copyright

© Copyright 2022, Ets Georges Renault, 38 rue Bobby Sands, 44818 Saint Herblain, France

Tous droits réservés. Toute utilisation non autorisée ou copie de tout ou partie du présent document est interdite. Ceci s'applique plus particulièrement aux marques de commerce, dénominations de modèles, références et schémas. Utiliser exclusivement les pièces autorisées. Tout dommage ou dysfonctionnement causé par l'utilisation d'une pièce non autorisée ne sera pas couvert par la garantie du fabricant ou la responsabilité du fait des produits.

## Technische Daten

### Technische Daten

#### Netzteil

Angetrieben vom Werkzeug (5 V)

#### Energieverbrauch

2,5 W

### Gewicht

0,02 kg  
0,044 lb

### Lagerungs- und Einsatzbedingungen

Lagertemperatur	-20 bis +70 °C (-4 bis +158 F)
Betriebstemperatur	0 °C bis 45 °C (32 °F bis 113 °F)
Luftfeuchtigkeit bei Lagerung	0 - 95% rel. LF (nicht kondensierend)
Luftfeuchtigkeit bei Betrieb	0 - 90% rel. LF (nicht kondensierend)
Höhe bis	2000 m (6562 Fuß)
Einsetzbar in Umgebungen mit Verschmutzungsgrad 2	
Nur für Innenanwendungen	

### Daten Drahtloskommunikation

<b>Kanal</b>	<b>1</b>
Mittelfrequenz (MHz)	3494,4
Frequenz (MHz) *	3244,8 – 3744
Bandbreite (MHz) *	499,2
Max. Wert der Spitzenleistung (dBm)	< 0
Zugelassene Länder **	USA

<b>Kanal</b>	<b>2 (Standard)</b>
Mittelfrequenz (MHz)	3993,6
Frequenz (MHz) *	3774 – 4243,2
Bandbreite (MHz) *	499,2
Max. Wert der Spitzenleistung (dBm)	< 0
Zugelassene Länder **	Europa, USA

<b>Kanal</b>	<b>3</b>
Mittelfrequenz (MHz)	4492,8
Frequenz (MHz) *	4243,2 – 4742,4
Bandbreite (MHz) *	499,2
Max. Wert der Spitzenleistung (dBm)	< 0
Zugelassene Länder **	Europa, USA

<b>Kanal</b>	<b>4</b>
Mittelfrequenz (MHz)	3993,6
Frequenz (MHz) *	3228 – 4659,2
Bandbreite (MHz) *	1331,2
Max. Wert der Spitzenleistung (dBm)	< 0
Zugelassene Länder **	Europa, USA

<b>Kanal</b>	<b>5</b>
Mittelfrequenz (MHz)	6489,6
Frequenz (MHz) *	6240 – 6739,2
Bandbreite (MHz) *	499,2
Max. Wert der Spitzenleistung (dBm)	< 0
Zugelassene Länder **	Europa, USA

<b>Kanal</b>	<b>7</b>
Mittelfrequenz (MHz)	6489,6
Frequenz (MHz) *	5980,3 – 6998,9
Bandbreite (MHz) *	1081,6
Max. Wert der Spitzenleistung (dBm)	< 0
Zugelassene Länder **	USA

\*: gemäß UWB IEEE802.15.4-2011

\*\* : beachten Sie, dass der Tracker vor der Verwendung den lokalen Regelungen entsprechend eingestellt werden muss. Einige Kanäle können in bestimmten Regionen unzulässig sein. Wenden Sie sich für weitere Informationen an Ihre Desoutter-Vertretung.

Es können Interferenzen zwischen Geräten auftreten, welche das UWB-System (IEEE 802.14.5) nutzen. Es können bestimmte mindernde Maßnahmen zur Vermeidung oder Reduzierung dieser Interferenzen ergriffen werden, wie unter anderem:

- Reduzierung der maximalen Funkabdeckung der Tracking Base mit CVI Monitor
- Erhöhung des Abstands zwischen den Geräten

## Erklärungen

### EU-KONFORMITÄTSERKLÄRUNG

Wir, **Ets Georges Renault**, 38 rue Bobby Sands, 44818 Saint Herblain, France, erklären hiermit in alleiniger Verantwortung, dass dieses Produkt (mit Bezeichnung, Typ und Seriennummer laut Deckblatt) die Anforderungen der folgenden Richtlinie(n) erfüllt:

**2011/65/EU, 2014/53/EU**

Angewandte harmonisierte Normen:

**EN 62841-2-2:2014+C1:2016; EN 62311: 2008; EN 302 065-2 v2.1.1; EN 301 489-33 v2.2.1; EN 301 489-1 v2.2.3; EN 61000-6-2:2019**

Behörden können relevante technische Informationen anfordern von:

Pascal ROUSSY, R&D Manager, 38 rue Bobby Sands, 44818 Saint Herblain, France

**Saint Herblain, 2022/07/04**

**Pascal ROUSSY, R&D Manager**



### EU-Baumusterprüfung

Die benannte Stelle **EMITECH** mit der Identifikationsnummer **0536** hat die Konformitätsbeurteilung der technischen Dokumentation entsprechend des in Anhang III (Modul B) der Richtlinie 2014/53/EU beschriebenen Verfahrens durchgeführt und die EU-Baumusterprüfbescheinigung **21-I037\_C** ausgestellt.

### WEEE

Hinweise zu **Elektro- und Elektronik-Altgeräten (EEAG)**: Das vorliegende Produkt und die entsprechenden Informationen erfüllen die Anforderungen der EEAG-Richtlinie/-Verordnungen (2012/19/EU) und müssen gemäß dieser Richtlinie/dieser Verordnungen gehandhabt werden.

Das Produkt ist mit folgendem Symbol gekennzeichnet:



Mit einem durchgestrichenen Mülltonnen-Symbol mit einem einzelnen schwarzen Balken darunter gekennzeichnete Produkte enthalten Teile, die entsprechend der EEAG-Richtlinie/-Verordnungen entsorgt werden müssen. Das gesamte Produkt oder die EEAG-Teile können zur Entsorgung an Ihre Kundendienstzentrale eingeschickt werden.

### Regionale Anforderungen

#### ⚠️ WARNUNG

Dieses Produkt kann Sie Chemikalien, einschließlich Blei, aussetzen, was nach Kenntnis des Bundesstaats Kalifornien zu Krebserkrankungen und Geburtsfehlern oder sonstigen Schäden am Fortpflanzungssystem führen kann. Weitere Informationen finden Sie unter <https://www.p65warnings.ca.gov/>

### Informationen zu Artikel 33 in REACH

Die Verordnung (EG) Nr. 1907/2006 des Europäischen Parlaments und des Rates zur Registrierung, Bewertung, Zulassung und Beschränkung chemischer Stoffe (REACH) definiert unter anderem Anforderungen an die Kommunikation innerhalb der Lieferkette. Die Informationspflicht gilt auch für Produkte, die sogenannte besonders besorgniserregende Stoffe enthalten (die „Kandidatenliste“). Am 27. Juni 2018 wurde Blei (CAS Nr. 7439-92-1) in die Kandidatenliste aufgenommen.

Gemäß den oben genannten Verordnungen und Hinweise informieren wir Sie hiermit darüber, dass bestimmte elektrische und mechanische Komponenten des Produkts Blei enthalten können. Dies steht im Einklang mit den geltenden Rechtsvorschriften für Stoffbeschränkungen und basiert auf legalen Ausnahmen in der RoHS-Richtlinie (2011/65/EU). Bei normalem Gebrauch treten aus dem Produkt kein Blei oder Bleiderivate aus und die Bleikonzentration liegt weit

## Safety Information

unterhalb des geltenden Grenzwerts. Beachten Sie am Ende der Produktlebensdauer die vor Ort geltenden Bestimmungen zur Entsorgung von Blei.

## Sicherheit

NICHT WEGWERFEN - AN BENUTZER WEITERLEITEN

**⚠️ WARNUNG** Lesen Sie alle mit diesem Produkt gelieferten Sicherheitshinweise, Anweisungen, Abbildungen und Spezifikationen.

Eine Nichtbeachtung der Anweisungen kann zu Stromschlägen, Bränden, Sachschäden und/oder ernsthaften Verletzungen führen.

Bewahren Sie alle Warnhinweise und Anweisungen zur künftigen Verwendung auf.

**⚠️ WARNUNG** Alle örtlichen Vorschriften, die Installation, Bedienung und Wartung betreffen, müssen immer beachtet werden.

## Nutzungserklärung

- Nur zum Gebrauch durch ausgebildete Fachkräfte.
- Dieses Produkt und sein Zubehör dürfen in keinem Fall modifiziert werden.
- Benutzen Sie dieses Produkt nicht, wenn es beschädigt ist.
- Wenn die Produktdatenschilder oder Gefahrenwarnschilder unleserlich werden oder sich ablösen, sind diese sofort zu ersetzen.
- Das Produkt darf nur von geschulten Fachkräften und nur in Industrieumgebungen installiert, bedient und gewartet werden.

## Verwendungszweck

Der Tracker ist für die Installation an kabellosen Desoutter EABS-Elektroschraubern vorgesehen (siehe Liste unten). Eine andere Verwendung ist nicht zulässig. Nur für den professionellen Einsatz.

Modell	Artikelnummer
EABS8-1500-4S	6151660870
EABS8-1500-4Q	6151660880
EABS12-1100-4S	6151660890
EABS12-1100-10S	6151660900
EABS12-1100-4Q	6151660910
EABS17-800-4S	6151660920
EABS17-800-10S	6151660930
EABS17-800-4Q	6151660940
EABS24-500-10S	6151660950
EABS24-500-4Q	6151660960

Tracker kommunizieren mit den an den Arbeitsplätzen installierten Trackingbasen über die UWB-Technologie (Ultra-Wide Band).

Modell	Artikelnummer
Trackingbasis	6158133350

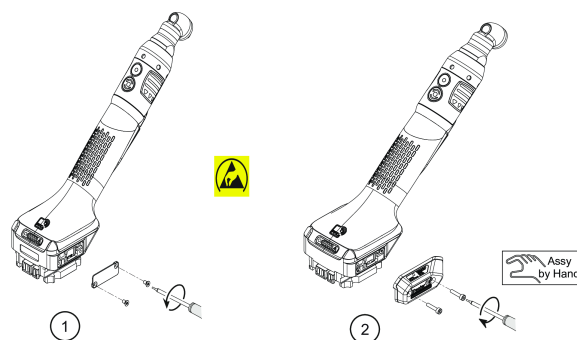
## Produktspezifische Anweisungen

### Mindestens erforderliche Firmware- und Softwareversionen

Produkt	Version
EABS	V 6.0.x
CONNECT	V 2.1.5.x
CVI CONFIG	V 2.3.4.x

## Installation des Trackers

Entnehmen Sie vor der Montage den Akkupack.



**⚠️ WARNUNG** Risiko der antistatischen Entladung



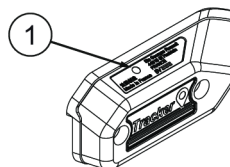
Es besteht die Gefahr einer antistatischen Entladung, wenn Sie sich nicht selbst erden.

- ▶ Tragen Sie ein antistatisches Handgelenkband.

1. Entfernen Sie die Abdeckplatte. Bewahren Sie diese gegebenenfalls zur späteren Verwendung auf.
2. Bringen Sie den Tracker in seine Position. Per Hand festziehen.

## So schalten Sie den Tracker ein und aktivieren ihn

Stecken Sie einen Akkupack an das Werkzeug an.



- 1 Anzeige

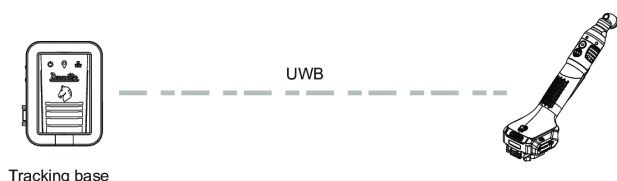
Die Anzeige blinkt während des Starts 5 Sekunden lang grün auf, wodurch signalisiert wird, dass das Werkzeug korrekt mit Strom versorgt wird.

Blinkt die Anzeige rot auf, bedeutet dies, dass keine Firmware auf dem Tracker installiert oder diese beschädigt ist.

Wechseln Sie zu CONNECT, um den Tracker zu aktivieren.

- Die Produkthanweisungen der Tracking Base (Drucksache Nr. 6159925540) stehen unter <https://www.desouttertools.com/resource-centre> zur Verfügung.

Der Tracker kommuniziert anschließend mit der jeweiligen Tracking Base über UWB.



Der Vorgang der Firmware-Aktualisierung wird im folgenden Dokument beschrieben:

- Die Produkthanweisungen der Tracking Base (Drucksache Nr. 6159925540) stehen unter <https://www.desouttertools.com/resource-centre> zur Verfügung.
- Modelltyp der Tracking Base:

Modelltyp der Tracking Base	Seriennummerindex der Tracking Base	Produktionsdatum
Nur CE	4900xxxxxxx bis 4903xxxxxxx Ab Index = 0 bis 3	Vor 2021
CE & FCC	4904xxxxxxx und später Ab Index = 4	Nach 2021

LED-Farbe	Beschreibung
Grün - dauerhaft	Die Kommunikation mit der Tracking Base wurde hergestellt.
Rot - dauerhaft	Die Kommunikation mit der Tracking Base konnte nicht hergestellt werden.
Blau - dauerhaft	Die Tracking Base ist nicht verbunden oder für den Tracker nicht sichtbar.

### Sicherheitsanweisungen

Lesen Sie die dem Werkzeug beiliegenden Sicherheitsinformationen mit der Referenznummer 6159925210 oder online unter <https://www.desouttertools.com/resource-centre>.

### Nützliche Informationen

#### Website

Informationen zu unseren Produkten, Zubehör, Ersatzteilen und Veröffentlichungen finden Sie auf der Internetseite von Desoutter.

Besuchen Sie: [www.desouttertools.com](http://www.desouttertools.com).

### Informationen über Installationsanleitungen

Detaillierte Bedienungsanleitungen, Hinweise zur Installation und die aktuellsten Handbücher sind erhältlich unter <https://www.desouttertools.com/resource-centre>.

### Informationen über Ersatzteile

Explosionszeichnungen und Ersatzteillisten stehen unter dem Service-Link bei [www.desouttertools.com](http://www.desouttertools.com) zur Verfügung.

### Herkunftsland

France

### Sicherheitsdatenblätter MSDS/SDS

Die Sicherheitsdatenblätter enthalten Beschreibungen der von Desoutter vertriebenen chemischen Produkte.

Weitere Informationen finden Sie auf der Webseite von Desoutter unter <https://www.desouttertools.com/legal/sds>.

### Copyright

© Copyright 2022, Ets Georges Renault, 38 rue Bobby Sands, 44818 Saint Herblain, France

Alle Rechte vorbehalten. Jeglicher nicht autorisierte Gebrauch sowie das Kopieren der Inhalte ganz oder in Teilen ist verboten. Dies gilt insbesondere für Handelsmarken, Modellbezeichnungen, Artikelnummern und Zeichnungen. Verwenden Sie ausschließlich Originalbauteile. Schäden oder Fehlfunktionen, die durch den Einsatz unzulässiger Bauteile entstehen, sind nicht von der Garantie oder Produkthaftung abgedeckt.

### Datos técnicos

#### Datos técnicos

#### Fuente de alimentación

Suministro eléctrico de la herramienta (5 V)

#### Consumo de energía

2,5 W

#### Peso

0,02 kg  
0,044 lb

#### Condiciones de almacenamiento y de uso

Temperatura de almacenamiento	-20 a +70 °C (-4 a +158 F)
Temperatura de funcionamiento	0 a 45 °C (32 a 113 F)

## Safety Information

Humedad de almacenamiento	0-95 % HR (sin condensación)
Humedad de funcionamiento	0-90 % HR (sin condensación)
Altitud hasta	2000 m (6562 pies)
Utilizable en ambientes con grado de contaminación 2	
Solamente para uso en interiores	

### Especificaciones de la comunicación inalámbrica

<b>Canal</b>	<b>1</b>
Frecuencia central (MHz)	3494,4
Frecuencia (MHz) *	3244,8 – 3744
Ancho de banda (MHz) *	499,2
Valor máx. de pico de potencia (dBm)	< 0
Países autorizados **	EE. UU.

<b>Canal</b>	<b>2 (predeterminado)</b>
Frecuencia central (MHz)	3993,6
Frecuencia (MHz) *	3774 – 4243,2
Ancho de banda (MHz) *	499,2
Valor máx. de pico de potencia (dBm)	< 0
Países autorizados **	Europa, EE. UU.

<b>Canal</b>	<b>3</b>
Frecuencia central (MHz)	4492,8
Frecuencia (MHz) *	4243,2 – 4742,4
Ancho de banda (MHz) *	499,2
Valor máx. de pico de potencia (dBm)	< 0
Países autorizados **	Europa, EE. UU.

<b>Canal</b>	<b>4</b>
Frecuencia central (MHz)	3993,6
Frecuencia (MHz) *	3228 – 4659,2
Ancho de banda (MHz) *	1331,2
Valor máx. de pico de potencia (dBm)	< 0
Países autorizados **	Europa, EE. UU.

<b>Canal</b>	<b>5</b>
Frecuencia central (MHz)	6489,6
Frecuencia (MHz) *	6240 – 6739,2
Ancho de banda (MHz) *	499,2
Valor máx. de pico de potencia (dBm)	< 0
Países autorizados **	Europa, EE. UU.

<b>Canal</b>	<b>7</b>
Frecuencia central (MHz)	6489,6
Frecuencia (MHz) *	5980,3 – 6998,9
Ancho de banda (MHz) *	1081,6
Valor máx. de pico de potencia (dBm)	< 0
Países autorizados **	EE. UU.

\*: de conformidad con UWB IEEE802.15.4-2011

\*\* : antes de usar, tenga en cuenta que el Localizador se debe configurar para cumplir las normativas locales. Algunos canales podrían estar prohibidos localmente. Contacte con su representante Desoutter para más información.

Se pueden producir interferencias entre dispositivos que utilicen el sistema UWB (IEEE 802.14.5). Se pueden utilizar algunas mediciones de mitigaciones para evitar o reducir estas interferencias como:

- Reducir la cobertura radio máx. de la base de localización con CVI Monitor
- Incrementar la distancia entre los dispositivos

## Declaraciones

### DECLARACIÓN DE CONFORMIDAD DE LA UE

Nosotros, **Ets Georges Renault**, 38 rue Bobby Sands, 44818 Saint Herblain, France, declaramos bajo nuestra única responsabilidad que el producto (con nombre, tipo y número de serie indicados en la primera página) es conforme a las siguientes Directivas:



**2011/65/EU, 2014/53/EU**

Normativas armonizadas aplicadas:

**EN 62841-2-2:2014+C1:2016; EN 62311: 2008; EN 302 065-2 v2.1.1; EN 301 489-33 v2.2.1; EN 301 489-1 v2.2.3; EN 61000-6-2:2019**

Las autoridades pueden solicitar información técnica relevante a:

Pascal ROUSSY, R&D Manager, 38 rue Bobby Sands, 44818 Saint Herblain, France

**Saint Herblain, 2022/07/04**

**Pascal ROUSSY, R&D Manager**

**Examen tipo EU:**

El organismo notificado **EMITECH** con número de identificación **0536** realizó la evaluación de conformidad de la documentación técnica de acuerdo con el procedimiento del Anexo III (Módulo B) de la Directiva 2014/53/UE y emitió el certificado de examen tipo UE **21-I037\_C**.

### RAEE

Información referente a los **Residuos de Aparatos Eléctricos y Electrónicos (RAEE)**:

Este producto y su información cumplen los requisitos de la directiva/normativa RAEE (2012/19/EU), y deben manipularse según sus disposiciones.

El producto está marcado con el símbolo siguiente:



Los productos marcados con el símbolo de un contenido de basuras con ruedas tachado y una barra negra única debajo, contienen partes que se deben manipular de conformidad con la directiva/normativa RAEE. El producto completo, o las piezas RAEE, pueden enviarse a su «Centro de atención al cliente» para su manipulación.

## Requisitos regionales

### ⚠️ ADVERTENCIA

Este producto le puede exponer al plomo, considerado por el Estado de California como causante de cáncer y de malformaciones congénitas u otros daños reproductivos. Para más información visite

<https://www.p65warnings.ca.gov/>

## Información relacionada con el Artículo 33 en REACH

El Reglamento europeo (UE) n.º 1907/2006 relativo al registro, evaluación, autorización y restricción de las sustancias y preparados químicos (REACH) define, entre otras cosas, los requisitos relacionados con la comunicación en la cadena de suministro. El requisito de información también es aplicable a los productos que contengan las llamadas Sustancias muy preocupantes (la «Lista de candidatos»). El 27 de junio de 2018 se añadió el plomo (CAS n.º 7439-92-1) a la Lista de candidatos.

De acuerdo con lo mencionado anteriormente, el objetivo del presente documento es informarle de que determinados componentes eléctricos y mecánicos en el producto pueden contener plomo. El presente documento es de conformidad con la legislación sobre restricción de sustancias actual y se basa en las exenciones legítimas en la Directiva RoHS (2011/65/UE). No se producirán fugas de plomo ni mutará a partir del producto durante el uso normal y la concentración de plomo en el producto completo se encuentra bastante por debajo del límite umbral aceptable. Tenga en cuenta los requisitos locales sobre el desecho del plomo al final de la vida útil del producto.

## Seguridad

CONSERVAR - ENTREGAR AL USUARIO

### ⚠️ ADVERTENCIA Lea todas las advertencias, instrucciones, ilustraciones y especificaciones de seguridad suministradas con este producto.

Si no se siguen todas las instrucciones que se indican a continuación pueden producirse descargas eléctricas, incendios, daños en la propiedad y/o lesiones graves.

**Guarde todas las advertencias e instrucciones para futuras consultas.**

### ⚠️ ADVERTENCIA Respete siempre todas las normas de seguridad relativas a la instalación, funcionamiento y mantenimiento de acuerdo a la legislación local.

## Declaración de uso

- Solo para uso profesional.
- No se debe modificar ningún aspecto de este producto ni de sus accesorios.
- No utilice este producto si está dañado.
- Si los datos del producto o las señales de advertencia de peligro en el producto dejan de ser legibles o se desprenden, sustitúyalas sin demora.
- Solo personal cualificado puede instalar, operar y realizar servicios en el producto en un entorno industrial.

## Uso previsto

El localizador está diseñado para una instalación en aprietatueras inalámbricas Desoutter EABS (consulte la lista a continuación). No se permite otro uso. Únicamente para uso profesional.

Modelo	N.º de pieza
EABS8-1500-4S	6151660870
EABS8-1500-4Q	6151660880
EABS12-1100-4S	6151660890
EABS12-1100-10S	6151660900
EABS12-1100-4Q	6151660910
EABS17-800-4S	6151660920
EABS17-800-10S	6151660930
EABS17-800-4Q	6151660940
EABS24-500-10S	6151660950
EABS24-500-4Q	6151660960

Los localizadores se comunican con las bases de localización instaladas en estaciones de trabajo mediante tecnología de banda ultra ancha (UWB, por sus siglas en inglés).

Modelo	N.º de pieza
Base de localización	6158133350

## Instrucciones específicas para el producto

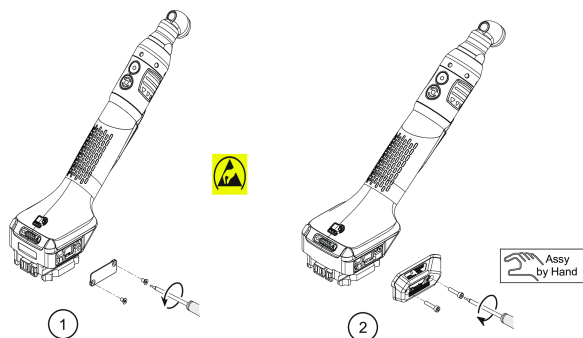
### Versiones mínimas de firmware y software

Producto	Versión
EABS	V 6.0.x
CONNECT	V 2.1.5.x
CVI CONFIG	V 2.3.4.x

## Instalar el localizador

Retire la batería antes del montaje.

## Safety Information



### ⚠ ADVERTENCIA Riesgo de descarga antiestática



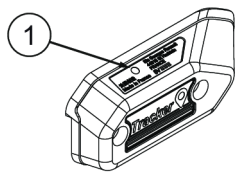
Existe un riesgo de descarga antiestática si usted no tiene toma de tierra.

- Use una pulsera antiestática.

1. Retire la placa de cubierta.  
Guárdela para utilizarla posteriormente si fuera necesario.
2. Coloque el localizador en su sitio.  
Apriete a mano.

## Cómo poner en marcha y activar el localizador

Conecte una batería a la herramienta.



- 1 Indicador

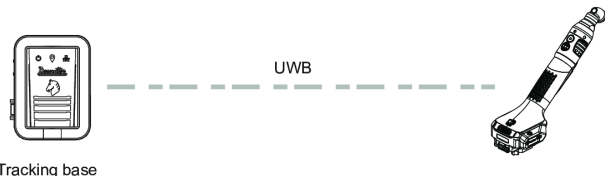
El indicador parpadea 5 segundos en verde durante la puesta en marcha, lo que indica que el suministro eléctrico facilitado por la herramienta es correcto.

Si el indicador parpadea en rojo, significa que no se ha instalado ningún firmware en el localizador o está dañado.

Vaya CONNECT para activar el localizador.

- ⓘ Consulte las instrucciones de producto de la base de localización (documento impreso n.º 6159925540) disponible en <https://www.desouttertools.com/resource-centre>.

El localizador se comunicará con la base de localización asignada mediante UWB.



El proceso de actualización del firmware del localizador se explica en el siguiente documento:

- Consulte las instrucciones de producto de la base de localización (documento impreso n.º 6159925540) disponible en <https://www.desouttertools.com/resource-centre>.
- Tipo de modelo de base de localización:

Modelo del tipo de base de localización	Índice de número de serie de base de localización	Fecha de producción
CE únicamente	De 4900xxxxxxx a 4903xxxxxxxA partir de índice = de 0 a 3	Antes de 2021
CE y FCC	4904xxxxxxx y posterior A de índice = 4	Después de 2021

Color del LED	Descripción
verde - fijo	Se ha establecido la comunicación la base de localización.
rojo - fijo	No se ha establecido la comunicación la base de localización.
azul - fijo	La base de localización está desconectada o no es visible desde el localizador.

## Instrucciones de seguridad

Lea las instrucciones de seguridad con referencia 6159925210 suministradas con la herramienta o disponible en <https://www.desouttertools.com/resource-centre>.

## Información de utilidad

### Sitio de Internet

Puede encontrar información relacionada con nuestros productos, accesorios, piezas de repuesto y material impreso en el sitio web Desoutter.

Visite: [www.desouttertools.com](http://www.desouttertools.com).

### Información sobre manuales de instalación

Tiene a su disposición instrucciones de funcionamiento, instalación y actualización en <https://www.desouttertools.com/resource-centre>.

### Información sobre los repuestos

Tiene a su disposición vistas de despiece y listas de repuestos en el enlace de servicio en [www.desouttertools.com](http://www.desouttertools.com).

### País de origen

France



## Hojas de datos de seguridad de MSDS/ SDS

Las fichas de seguridad describen los productos químicos vendidos por Desoutter.

Consulte el sitio web Desoutter para más información  
<https://www.desouttertools.com/legal/sds>.

### Copyright

© Copyright 2022, Ets Georges Renault, 38 rue Bobby Sands, 44818 Saint Herblain, France

Todos los derechos reservados. Queda prohibido el uso autorizado o la copia total o parcial del presente contenido. En particular, esta prohibición se aplica a las marcas comerciales, las denominaciones de los modelos, los números de referencia y los gráficos. Utilice sólo piezas autorizadas. Los daños o averías causados por el uso de piezas no homologadas no serán cubiertos por la Garantía o la Responsabilidad civil del producto.

## Dados técnicos

### Dados técnicos

#### Fonte de alimentação

Alimentação na própria ferramenta (5 V)

#### Consumo de energia

2,5 W

#### Peso

0,02 kg  
0,044 lb

### Armazenamento e condições de uso

Temperatura de armazenamento	-20 até +70 °C (-4 até +158 F)
Temperatura de operação	0 até 45 °C (32 até 113 F)
Umidade de armazenamento	0 até 95% (umidade relativa, sem condensação)
Umidade na operação	0 até 90% (umidade relativa, sem condensação)
Altitude máxima	2.000 m (6.562 pés)
Utilização em ambientes com poluição de nível 2	
Uso apenas em locais abrigados	

### Especificações de comunicação sem fio

<b>Canal</b>	<b>1</b>
Frequência Central (MHz)	3494,4
Frequência (MHz) *	3244,8 – 3744
Frequência (MHz) *	499,2

Valor máx. do pico de potência (dBm) < 0

Países autorizados \*\* EUA

<b>Canal</b>	<b>2 (padrão)</b>
Frequência Central (MHz)	3993,6
Frequência (MHz) *	3774 – 4243,2
Frequência (MHz) *	499,2
Valor máx. do pico de potência (dBm)	< 0
Países autorizados **	Europa, EUA

<b>Canal</b>	<b>3</b>
Frequência Central (MHz)	4492,8
Frequência (MHz) *	4243,2 – 4742,4
Frequência (MHz) *	499,2
Valor máx. do pico de potência (dBm)	< 0
Países autorizados **	Europa, EUA

<b>Canal</b>	<b>4</b>
Frequência Central (MHz)	3993,6
Frequência (MHz) *	3228 – 4659,2
Frequência (MHz) *	1331,2
Valor máx. do pico de potência (dBm)	< 0
Países autorizados **	Europa, EUA

<b>Canal</b>	<b>5</b>
Frequência Central (MHz)	6489,6
Frequência (MHz) *	6240 – 6739,2
Frequência (MHz) *	499,2
Valor máx. do pico de potência (dBm)	< 0
Países autorizados **	Europa, EUA

<b>Canal</b>	<b>7</b>
Frequência Central (MHz)	6489,6
Frequência (MHz) *	5980,3 – 6998,9
Frequência (MHz) *	1081,6
Valor máx. do pico de potência (dBm)	< 0
Países autorizados **	EUA

\*: de acordo com a UWB IEEE802.15.4-2011

\*\* : antes de utilizar, observe que o Rastreador deve ser definido em conformidade com as regulamentações locais. Algum canal pode ser proibido localmente. Entre em contato com o seu representante Desoutter para mais informações.

## Safety Information

Podem ocorrer interferências entre dispositivos que usam um sistema UWB (IEEE 802.14.5). Algumas medidas de mitigação podem ser usadas para evitar ou reduzir essas interferências como:

- Reduzir a Cobertura Máxima de Radiofrequência da Base de Rastreamento com um Monitor CVI.
- Aumentar a distância entre os dispositivos

## Declarações

### DECLARAÇÃO DE CONFORMIDADE DA UNIÃO EUROPEIA

Nós da **Ets Georges Renault**, 38 rue Bobby Sands, 44818 Saint Herblain, France declaramos, sob nossa exclusiva responsabilidade, que este produto (com nome, tipo e número de série; ver primeira página) está em conformidade com a(s) seguinte(s) Diretiva(s):

**2011/65/EU, 2014/53/EU**

Normas harmonizadas aplicadas:

**EN 62841-2-2:2014+C1:2016; EN 62311: 2008; EN 302 065-2 v2.1.1; EN 301 489-33 v2.2.1; EN 301 489-1 v2.2.3; EN 61000-6-2:2019**

As autoridades podem solicitar informações técnicas pertinentes de:

Pascal ROUSSY, R&D Manager, 38 rue Bobby Sands, 44818 Saint Herblain, France

**Saint Herblain, 2022/07/04**

**Pascal ROUSSY, R&D Manager**

**Exame UE de Tipo**

O organismo notificado **EMITECH** com número de identificação **0536** realizou a avaliação de conformidade da documentação técnica de acordo com o procedimento do Anexo III (Módulo B) da Diretiva 2014/53/UE e publicou o certificado de exame UE de tipo **21-I037\_C..**

## WEEE

Informações relativas aos **Resíduos de Equipamentos Elétricos e Eletrônicos (WEEE)**:

Este produto e suas informações cumprem os requisitos da diretiva/regulamentações de WEEE (2012/19/EU) e devem ser tratados em conformidade com esta diretiva/regulamentações.

O produto está marcado com o símbolo a seguir:



Produtos com o símbolo de uma recipiente para resíduos marcados com um X e uma barra única na cor preta embaixo deste devem ser manuseados em conformidade com a diretiva/regulamentações de WEEE. Todo o produto ou peças de WEEE podem ser enviados à sua “Central de Atendimento ao Cliente” para manuseio.

## Requisitos regionais

### ⚠ AVISO

Este produto pode expor você a produtos químicos, entre eles o chumbo, conhecido no Estado da Califórnia por causar câncer e defeitos em recém-nascidos, além de outros danos à reprodução. Para mais informações, visite <https://www.p65warnings.ca.gov/>

## Informações a respeito do Artigo 33 do REACH

O European Regulation (UE) nº 1907/2006, sobre Registros, Avaliação, Autorização e Restrição de Produtos Químicos (REACH), define, entre outras coisas, os requisitos relacionados à comunicação na cadeia de fornecimento. O requisito das informações aplica-se também a produtos que contêm as chamadas Substâncias de Preocupação muito elevada (a “Lista de Candidatos”). No dia 27 de junho de 2018 foi acrescentado à Lista de Candidatos o metal chumbo (CAS nº 7439-92-1).

Conforme o que foi dito acima, o objetivo do presente documento é informar que determinados componentes elétricos e mecânicos do produto podem conter o metal chumbo. Isto está em conformidade com a atual legislação de restrição de substâncias e baseia-se em exceções legítimas da Diretiva RoHS (2011/65/EU). Não ocorre vazamento ou mutação do chumbo a partir do produto durante uso normal e a concentração do metal chumbo no produto completo fica bem abaixo do limite aplicável. Também deve-se levar em conta os requisitos locais relacionados ao descarte de chumbo no final da vida útil do produto.

## Segurança

NÃO DESCARTE - ENTREGUE AO USUÁRIO

### ⚠ AVISO Leia todos os avisos de segurança, instruções, ilustrações e especificações fornecidas com o produto.

O não cumprimento de todas as instruções apresentadas abaixo poderá resultar em choque elétrico, incêndio, danos à propriedade e/ou lesões graves.

**Guarde todos os alertas e instruções para referência futura.**

### ⚠ AVISO Todas as normas de segurança localmente legisladas relativas a instalação, operação e manutenção devem ser sempre respeitadas.

## Declaração de Uso

- Apenas para uso profissional.
- Este produto e seus acessórios não devem ser modificados em qualquer circunstância.
- Não utilize o produto se estiver danificado.
- Se os dados do produto ou as sinalizações de perigo na ferramenta deixarem de ser legíveis ou se soltarem, substitua o produto sem demora.
- Somente uma pessoa qualificada em ambiente de montagem industrial pode instalar, operar ou dar manutenção de rotina no produto.

### Uso pretendido

O rastreador foi projetado para ser instalado em apertadeiras sem fio EABS Desoutter (veja a lista abaixo). Não é permitida nenhuma outra utilização. Apenas para uso profissional.

Modelo	Número da peça
EABS8-1500-4S	6151660870
EABS8-1500-4Q	6151660880
EABS12-1100-4S	6151660890
EABS12-1100-10S	6151660900
EABS12-1100-4Q	6151660910
EABS17-800-4S	6151660920
EABS17-800-10S	6151660930
EABS17-800-4Q	6151660940
EABS24-500-10S	6151660950
EABS24-500-4Q	6151660960

Os rastreadores se comunicam com bases de rastreamento instaladas em estações de trabalho por meio da tecnologia Banda ultralarga (UWB).

Modelo	Número da peça
Base de rastreamento	6158133350

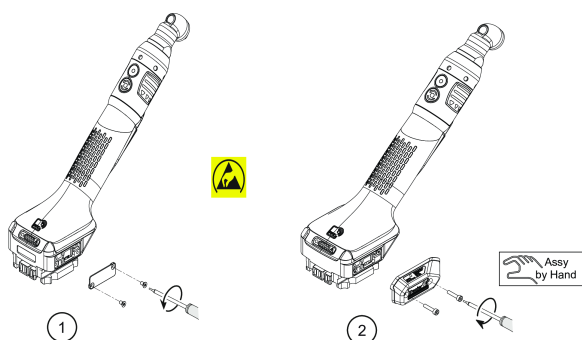
### Instruções específicas do produto

#### Versões mínimas de firmware e hardware

Produto	Versão
EABS	V 6.0.x
CONNECT	V 2.1.5.x
CVI CONFIG	V 2.3.4.x

### Instalando o rastreador

Remova a bateria antes da montagem.



#### ⚠ AVISO Risco de descarga eletrostática



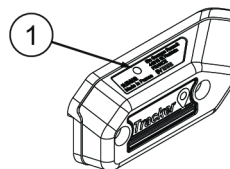
Há um risco de descarga eletrostática se você não estiver aterrado.

- Use uma pulseira antiestática.

1. Remova a tampa de proteção. Guarde-a para usos futuros, se necessário.
2. Coloque o rastreador no lugar. Aperte com as mãos.

### Como ligar e ativar o rastreador

Conecte uma bateria à ferramenta.



- 1 Luz de sinalização

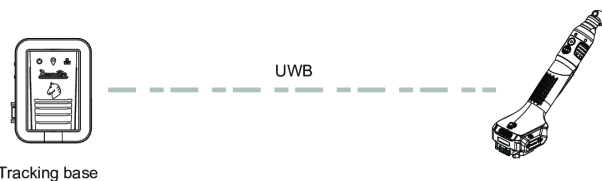
A luz de sinalização pisca por cinco segundos na cor verde durante a partida, indicando que a fonte de alimentação foi corretamente fornecida pela ferramenta.

Se a luz de sinalização piscar na cor vermelha, isso significa que não foi instalado um firmware nem um firmware corrompido no rastreador.

Vá para CONNECT (CONNECTAR) para ativar o rastreador.

- ⓘ Consulte as Instruções do Produto da Base de Rastreamento (material impresso N° 6159925540) disponível em <https://www.desouttertools.com/resource-centre>.

O rastreador se comunicará com a base de rastreamento específica por meio de UWB.



O processo de atualização do firmware do rastreador foi explicado no interior do seguinte documento:

- Consulte as Instruções do Produto da Base de Rastreamento (material impresso N° 6159925540) disponível em <https://www.desouttertools.com/resource-centre>.
- Tipo de modelo da base de rastreamento:

Modelo do tipo da base de rastreamento	Índice do número de série da base de rastreamento	Data de produção
Somente CE	4900xxxxxxx to 4903xxxxxxx A partir do índice = 0 a 3	Antes de 2021
CE e FCC	4904xxxxxxx e posterior A partir do índice = 4	Após 2021

## Safety Information

Cor do LED	Descrição
verde - fixo	A comunicação com a base de rastreamento foi estabelecida.
vermelho - fixo	A comunicação com a base de rastreamento não foi estabelecida.
azul - fixo	A base de rastreamento está desconectada ou não está visível a partir do Rastreador.

### Instruções de segurança

Leia “Informações de Segurança”, referência 6159925210, entregue junto com a ferramenta ou disponíveis em <https://www.desouttertools.com/resource-centre>.

### Informações úteis

#### Website

Informações referentes a nossos Produtos, Acessórios, Peças de Reposição e Materiais Publicados podem ser encontrados no site da Desoutter .

Visite: [www.desouttertools.com](http://www.desouttertools.com).

### Informações sobre os manuais de instalação

Instruções detalhadas de operação, manuais de instalação e de atualização encontram-se disponíveis em <https://www.desouttertools.com/resource-centre>.

### Informações sobre peças sobressalentes

As vistas expandidas e listas de peças sobressalentes podem ser consultadas no Service Link em [www.desouttertools.com](http://www.desouttertools.com).

### País de origem

France

### Fichas de dados de segurança MSDS/SDS

As Fichas de Informação de Segurança de Produto Químico descrevem os produtos químicos produzidos pela Desoutter.

Consulte o site da Desoutter para obter mais informações <https://www.desouttertools.com/legal/sds>.

### Copyright

© Copyright 2022, Ets Georges Renault, 38 rue Bobby Sands, 44818 Saint Herblain, France

Todos os direitos reservados. É proibido o uso ou cópia do conteúdo ou parte dele sem autorização. Isso se aplica em particular a marcas registradas, denominações de modelo, números de peça e desenhos. Use somente peças autorizadas.

Qualquer dano ou defeito causado pelo uso de peças não autorizadas não é coberto pela Garantia ou pela Responsabilidade pelo Produto.

## Dati tecnici

### Dati tecnici

#### Alimentazione

Alimentato dall'utensile (5 V)

#### Potenza assorbita

2,5 W

#### Peso

0,02 kg

0,044 lb

#### Condizioni di conservazione e uso

Temperatura di conservazione	Da -20 a 70 °C (da -4 a 158 °F)
Temperatura di esercizio	Da 0 a 45 °C (da 32 a 113 °F)
Umidità di conservazione	0-95% di umidità relativa (senza condensa)
Umidità di funzionamento	0-90 % di umidità relativa (senza condensa)
Altezza massima	2000 m (6562 piedi)
Utilizzabile in ambienti con grado di inquinamento 2	
Solo per uso interno	

#### Specifiche di comunicazione wireless

<b>Canale</b>	<b>1</b>
Frequenza centrale (MHz)	3494,4
Frequenza (MHz) *	3244,8 - 3744
Larghezza di banda (MHz) *	499,2
Valore massimo della potenza di picco (dBm)	< 0
Paesi autorizzati **	USA
<b>Canale</b>	<b>2 (predefinito)</b>
Frequenza centrale (MHz)	3993,6
Frequenza (MHz) *	3774 - 4243,2
Larghezza di banda (MHz) *	499,2
Valore massimo della potenza di picco (dBm)	< 0
Paesi autorizzati **	Europa, USA
<b>Canale</b>	<b>3</b>
Frequenza centrale (MHz)	4492,8
Frequenza (MHz) *	4243,2 - 4742,4
Larghezza di banda (MHz) *	499,2

Valore massimo della potenza di picco (dBm)	< 0
Paesi autorizzati **	Europa, USA

<b>Canale</b>	<b>4</b>
Frequenza centrale (MHz)	3993,6
Frequenza (MHz) *	3228 - 4659,2
Larghezza di banda (MHz) *	1331,2
Valore massimo della potenza di picco (dBm)	< 0
Paesi autorizzati **	Europa, USA

<b>Canale</b>	<b>5</b>
Frequenza centrale (MHz)	6489,6
Frequenza (MHz) *	6240 - 6739,2
Larghezza di banda (MHz) *	499,2
Valore massimo della potenza di picco (dBm)	< 0
Paesi autorizzati **	Europa, USA

<b>Canale</b>	<b>7</b>
Frequenza centrale (MHz)	6489,6
Frequenza (MHz) *	5980,3 - 6998,9
Larghezza di banda (MHz) *	1081,6
Valore massimo della potenza di picco (dBm)	< 0
Paesi autorizzati **	USA

\*: conformemente alla UWB IEEE802.15.4-2011

\*\* : prima dell'uso, impostare il Tracker in modo che sia conforme alle normative locali. Alcuni canali potrebbero essere proibiti localmente. Contattare un rappresentante Desoutter per ulteriori informazioni.

Potrebbero verificarsi interferenze tra i dispositivi che utilizzano il sistema UWB (IEEE 802.14.5). È possibile adottare alcune misure di mitigazione per prevenire o ridurre queste interferenze:

- Ridurre la copertura radio massima dalla base di tracciamento usando CVI Monitor
- Aumentare la distanza tra i dispositivi

## Dichiarazioni

### DICHIARAZIONE DI CONFORMITÀ UE

Ets Georges Renault, 38 rue Bobby Sands, 44818 Saint Herblain, France, dichiara, sotto la propria esclusiva responsabilità, che il prodotto (del tipo e con il numero di serie riportati nella pagina a fronte) è conforme alle seguenti direttive:

2011/65/EU, 2014/53/EU



Norme armonizzate applicate:

EN 62841-2-2:2014+C1:2016; EN 62311: 2008; EN 302 065-2 v2.1.1; EN 301 489-33 v2.2.1; EN 301 489-1 v2.2.3; EN 61000-6-2:2019

Le autorità possono richiedere informazioni tecniche pertinenti a:

Pascal ROUSSY, R&D Manager, 38 rue Bobby Sands, 44818 Saint Herblain, France

Saint Herblain, 2022/07/04

Pascal ROUSSY, R&D Manager

Esame di tipo UE

L'organismo notificato EMITECH con numero identificativo 0536 ha eseguito la valutazione di conformità della documentazione tecnica in linea con la procedura dell'allegato III (modulo B) della direttiva 2014/53/UE ed emesso il certificato di esame del tipo UE n. 21-I037\_C.

## WEEE

Informazioni sullo **Smaltimento di apparecchiature elettriche ed elettroniche (WEEE)**:

Questo prodotto e le informazioni a esso correlate sono conformi alla direttiva/alle disposizioni WEEE (2012/19/EU), e pertanto il trattamento del prodotto deve essere effettuato in conformità a tale direttiva/tali disposizioni.

Il prodotto è contrassegnato con il seguente simbolo:



I prodotti contrassegnati con il simbolo di un bidone barrato a ruote e una barra nera sottostante contengono parti da maneggiare in conformità con la direttiva/le disposizioni WEEE. L'intero prodotto o le parti WEEE possono essere spediti presso il nostro "Centro clienti" per lo smaltimento.

## Requisiti regionali

### ⚠ ATTENZIONE

Questo prodotto può causare esposizione a sostanze chimiche tra cui il piombo, note allo stato della California come causa di tumori e difetti congeniti o altri problemi riproduttivi. Per maggiori informazioni consultare

<https://www.p65warnings.ca.gov/>

## Informazioni sull'articolo 33 del REACH

Il Regolamento Europeo (UE) n. 1907/2006 sulla registrazione, valutazione, autorizzazione e restrizione delle sostanze chimiche (REACH) definisce, tra le altre cose, i requisiti relativi alla comunicazione nella catena di approvvigionamento. L'obbligo di informazione vale anche per i prodotti contenenti le cosiddette sostanze estremamente problematiche ("elenco delle sostanze candidate"). Il 27 giugno 2018, il piombo metallico (numero CAS 7439-92-1) è stato aggiunto all'elenco delle sostanze candidate.

## Safety Information

In conformità con quanto indicato sopra, determinati componenti elettrici e meccanici del prodotto potrebbero contenere piombo metallico. Ciò è in conformità con la legislazione vigente in materia di restrizione delle sostanze e in linea con le esenzioni legittime nella direttiva RoHS (2011/65/UE). Il piombo non colerà dal prodotto o si modificherà durante il normale utilizzo. La concentrazione di piombo nel prodotto completo è inferiore al limite di soglia applicabile. Valuta i requisiti locali sullo smaltimento del piombo al termine del ciclo di vita del prodotto.

## Sicurezza

NON SMALTIRE: DA CONSEGNARE ALL'UTENTE

**⚠ ATTENZIONE** Leggere tutti gli avvisi, le istruzioni di sicurezza, le illustrazioni e le specifiche tecniche di questo utensile.

Il mancato rispetto di tutte le seguenti istruzioni può provocare scosse elettriche, incendi e/o gravi lesioni.

Conservare tutti gli avvisi e le istruzioni per consultarli eventualmente in futuro.

**⚠ ATTENZIONE** Rispettare sempre le norme ed i regolamenti locali inerenti l'installazione, il funzionamento e la manutenzione.

## Dichiarazione sull'utilizzo

- Destinato solo a un utilizzo professionale.
- Questo utensile e i suoi accessori non devono mai essere modificati.
- Non utilizzare questo prodotto se è stato danneggiato.
- Se le targhette indicanti i dati del prodotto o i segnali di pericolo del prodotto diventano illeggibili o si staccano, sostituirli immediatamente.
- Il prodotto deve essere installato, utilizzato e mantenuto solo da personale qualificato e in un ambiente di assemblaggio industriale.

## Destinazione d'uso

Il tracker è destinato all'installazione sugli avvitadadi Desoutter EABS senza filo e (vedere elenco qui sotto). Non sono consentiti altri utilizzi. Solo per utilizzo professionale.

Modello	Numero del componente
EABS8-1500-4S	6151660870
EABS8-1500-4Q	6151660880
EABS12-1100-4S	6151660890
EABS12-1100-10S	6151660900
EABS12-1100-4Q	6151660910
EABS17-800-4S	6151660920
EABS17-800-10S	6151660930
EABS17-800-4Q	6151660940
EABS24-500-10S	6151660950
EABS24-500-4Q	6151660960

I tracker comunicano con le proprie basi installate sulle stazioni di lavoro grazie alla tecnologia UWB (Banda ultra-larga).

Modello	Numero del componente
Base di tracciamento	6158133350

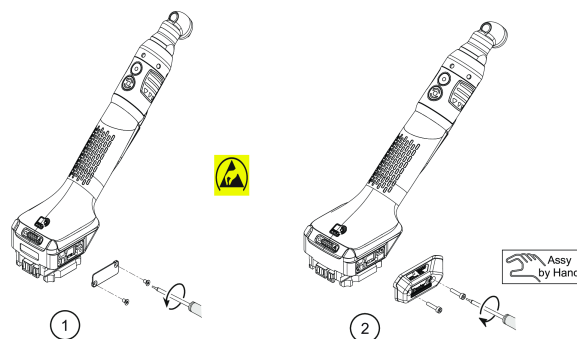
## Istruzioni specifiche del prodotto

### Versioni minime di firmware e software

Prodotto	Versione
EABS	V 6.0.x
CONNECT	V 2.1.5.x
CVI CONFIG	V 2.3.4.x

## Installazione del tracker

Rimuovere la batteria prima del montaggio.



**⚠ ATTENZIONE** Rischio di scarica antistatica



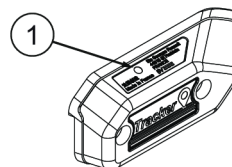
È presente un rischio di scarica antistatica se non si effettua la messa a terra dell'operatore.

- Indossare una fascia antistatica al polso.

1. Rimuovere il coperchio. Conservarlo per l'uso successivo, se necessario.
2. Collocare il tracciamento in posizione. Serrare a mano.

## Come accendere e abilitare il tracker

Collegare una batteria completamente carica all'utensile.



- 1 Indicatore

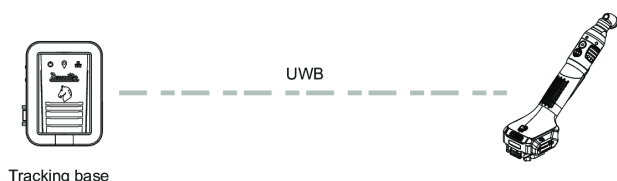
L'indicatore lampeggia 5 volte in verde durante l'avvio, per indicare che lo strumento fornisce correttamente l'alimentazione.

Se l'indicatore lampeggia in rosso, sul tracker non è installato alcun firmware o è presente un firmware danneggiato.

Aprire CONNECT per abilitare il tracker.

- ① Fare riferimento alle istruzioni del prodotto della base di tracciamento (documento cartaceo n. 6159925540) disponibile su <https://www.desouttertools.com/resource-centre>.

Quindi, il tracker comunicherà con la base di tracciamento dedicata via UWB.



Il processo di aggiornamento del firmware del tracker viene illustrato nel seguente documento:

- Fare riferimento alle istruzioni del prodotto della base di tracciamento (documento cartaceo n. 6159925540) disponibile su <https://www.desouttertools.com/resource-centre>.
- Tipo di modello della base di tracciamento:

Modello del tipo della base di tracciamento	Indice del numero di serie della base di tracciamento	Data di produzione
Solo CE	Da 4900xxxxxxx a 4903xxxxxxx dall'indice = da 0 a 3	Prima del 2021
CE e FCC	4904xxxxxxx e successivi dall'indice = 4	Dopo il 2021

Colore del LED	Descrizione
verde fisso	Viene stabilita la comunicazione con la base di tracciamento.
rosso fisso	La comunicazione con la base di tracciamento non è stata stabilita.
blu: fisso	La base di tracciamento è scollegata o non è visibile dal tracker.

### Istruzioni di sicurezza

Leggere le istruzioni nella guida di sicurezza 6159925210 inclusa con l'utensile o disponibile su <https://www.desouttertools.com/resource-centre>.

### Informazioni utili

#### Sito web

Il sito web Desoutter offre informazioni su prodotti, accessori, parti di ricambio e pubblicazioni.

Visita: [www.desouttertools.com](http://www.desouttertools.com).

### Informazioni sui manuali di installazione

Le istruzioni operative dettagliate, i manuali di installazione e aggiornamento sono disponibili all'indirizzo <https://www.desouttertools.com/resource-centre>.

### Informazioni sui ricambi

Gli esplosi e le liste dei ricambi sono disponibili in Service Link all'indirizzo [www.desouttertools.com](http://www.desouttertools.com).

### Paese di origine

France

### Schede informative in materia di sicurezza MSDS/SDS

Le schede di sicurezza descrivono i prodotti chimici venduti da Desoutter.

Consultare il sito Web di Desoutter per ulteriori informazioni <https://www.desouttertools.com/legal/sds>.

### Copyright

© Copyright 2022, Ets Georges Renault, 38 rue Bobby Sands, 44818 Saint Herblain, France

Tutti i diritti riservati. Qualsiasi utilizzo o copia non autorizzati dei contenuti o di parte di questi è vietato. Ciò vale in particolare per marchi registrati, denominazioni dei modelli, numeri di componente e diagrammi. Utilizzare solo componenti autorizzati. Un eventuale danneggiamento o difetto di funzionamento causato dall'utilizzo di componenti non autorizzati non è coperto dalla garanzia o dalla responsabilità per danni dovuti a prodotti difettosi.

### Technische gegevens

#### Technische gegevens

#### Voeding

Gevoed door het gereedschap (5 V)

#### Stroomverbruik

2,5 W

#### Gewicht

0,02 kg  
0,044 lb

#### Opslag- en gebruiksomstandigheden

Temperatuur bij opslag	-20 tot +70 °C (-4 tot +158 °F)
Temperatuur bij gebruik	0 tot 45 °C (32 tot 113 °F)

## Safety Information

Luchtvochtigheid bij opslag	0-95% RH (niet-condenserend)
Luchtvochtigheid bij gebruik	0-90 % RH (niet-condenserend)
Hoogte tot	2000 m (6562 voet)
Bruikbaar in een omgeving met vervuilingsgraad 2	
Alleen binnen te gebruiken	

## Specificaties draadloze communicatie

<b>Kanaal</b>	<b>1</b>
Middenfrequentie (MHz)	3494,4
Frequentie (MHz) *	3244,8 - 3744
Bandbreedte (MHz) *	499,2
Max. piekvermogen (dBm)	< 0
Geautoriseerde landen **	VS

<b>Kanaal</b>	<b>2 (standaard)</b>
Middenfrequentie (MHz)	3993,6
Frequentie (MHz) *	3774 - 4243,2
Bandbreedte (MHz) *	499,2
Max. piekvermogen (dBm)	< 0
Geautoriseerde landen **	Europa, VS

<b>Kanaal</b>	<b>3</b>
Middenfrequentie (MHz)	4492,8
Frequentie (MHz) *	4243,2 - 4742,4
Bandbreedte (MHz) *	499,2
Max. piekvermogen (dBm)	< 0
Geautoriseerde landen **	Europa, VS

<b>Kanaal</b>	<b>4</b>
Middenfrequentie (MHz)	3993,6
Frequentie (MHz) *	3228 - 4659,2
Bandbreedte (MHz) *	1331,2
Max. piekvermogen (dBm)	< 0
Geautoriseerde landen **	Europa, VS

<b>Kanaal</b>	<b>5</b>
Middenfrequentie (MHz)	6489,6
Frequentie (MHz) *	6240 - 6739,2
Bandbreedte (MHz) *	499,2
Max. piekvermogen (dBm)	< 0
Geautoriseerde landen **	Europa, VS

<b>Kanaal</b>	<b>7</b>
Middenfrequentie (MHz)	6489,6
Frequentie (MHz) *	5980,3 - 6998,9
Bandbreedte (MHz) *	1081,6

Max. piekvermogen (dBm)	< 0
Geautoriseerde landen **	VS

\*: overeenkomstig UWB IEEE802.15.4-2011

\*\* : let op dat de Tracker voor gebruik moet worden ingesteld volgens de lokale voorschriften Sommige kanalen kunnen lokaal verboden zijn. Neem contact op met uw Desoutter-vertegenwoordiger voor meer informatie.

Interferentie kan zich voordoen tussen apparaten die het UWB-systeem (IEEE 802.14.5) gebruiken. Om deze interferentie te voorkomen of te verminderen, kunnen enkele mitigerende maatregelen worden gebruikt, zoals:

- Het verminderen van het maximale radiobereik van het trackingbasisstation met CVI Monitor
- Het verhogen van de afstand tussen de apparaten

## Verklaringen

### EU-CONFORMITEITSVERKLARING

Wij, **Ets Georges Renault**, 38 rue Bobby Sands, 44818 Saint Herblain, France verklaren dat het product (met naam, type- en serienummer, zie voorpagina) in overeenstemming is met de volgende richtlijn(en):

**2011/65/EU, 2014/53/EU**

Toegepaste geharmoniseerde normen:

**EN 62841-2-2:2014+C1:2016; EN 62311: 2008; EN 302 065-2 v2.1.1; EN 301 489-33 v2.2.1; EN 301 489-1 v2.2.3; EN 61000-6-2:2019**

Autoriteiten kunnen relevante technische informatie opvragen van:

Pascal ROUSSY, R&D Manager, 38 rue Bobby Sands, 44818 Saint Herblain, France

Saint Herblain, 2022/07/04

**Pascal ROUSSY, R&D Manager**

**EU-typeonderzoek**

De aangemelde instantie **EMITECH** met identificatienummer **0536** heeft de conformiteitsbeoordeling van de technische documentatie uitgevoerd volgens de procedure in bijlage III (Module B) van Richtlijn 2014/53/EU en het certificaat van Eu-typeonderzoek **21-I037\_C** afgegeven.

### WEEE

Informatie betreffende **Waste of Electrical and Electronic Equipment (WEEE)**:

Dit product en de daarbij behorende informatie, voldoen aan de WEEE-richtlijn/-regelgeving (2012/19/EU). Het product dient te worden behandeld conform de richtlijn/regelgeving.

Het product is gemarkeerd met het volgende symbool:





Producten gemarkeerd met een doorgekruist containersymbool en één zwarte streep eronder bevatten onderdelen die moeten worden behandeld volgens de WEEE-richtlijn/-regeling. Het volledige product, of de WEEE-onderdelen, kunnen voor behandeling naar uw "Customer Center" worden gestuurd.

## Regionale vereisten

### WAARSCHUWING

Dit product kan u blootstellen aan chemicaliën, waaronder lood. Dit is een stof waarvan de Californische overheid weet dat deze kanker, aangeboren afwijkingen en vruchtbaarheidsproblemen veroorzaakt. Ga voor meer informatie naar

<https://www.p65warnings.ca.gov/>

## Informatie betreffende artikel 33 van REACH

De Europese Verordening (EU) nr. 1907/2006 inzake de registratie en beoordeling van en de autorisatie en beperkingen ten aanzien van chemische stoffen (REACH) stelt onder andere eisen met betrekking tot de communicatie in de toeleveringsketen. De informatievereiste geldt ook voor producten die zogenaamde zeer risicovolle stoffen bevatten (de 'kandidaatslijst'). Op 27 juni 2018 werd loodmetaal (CAS-nr. 7439-92-1) toegevoegd aan de kandidaatslijst.

In overeenstemming met het bovenstaande, is deze mededeling bedoeld om u te informeren dat bepaalde elektrische en mechanische componenten in het product loodmetaal kunnen bevatten. Dit is in overeenstemming met de huidige wetgeving inzake de beperking van stoffen en gebaseerd op rechtmatige uitzonderingen in de RoHS-Richtlijn (2011/65/EU). Loodmetaal lekt niet uit het product en muteert niet bij normaal gebruik en de concentratie van loodmetaal in het volledige product is ver onder de geldende drempel. Volg de lokale voorschriften bij het verwijderen van lood aan het einde van de levensduur van het product.

## Veiligheid

NIET WEGGOOIEN - AAN DE GEBRUIKER GEVEN

### WAARSCHUWING Lees alle bij dit product geleverde veiligheidswaarschuwingen, instructies, illustraties en specificaties.

Indien u niet alle instructies hieronder opvolgt, kan dit leiden tot een elektrische schok, brand, schade aan eigendommen en/of ernstig lichamelijke letsel.

**Bewaar alle waarschuwingen en instructies, zodat u ze op en later tijdstip kunt raadplegen.**

### WAARSCHUWING Alle plaatselijke wettige veiligheidsregels betreffende installatie, bediening en onderhoud moeten altijd in acht worden genomen.

## Gebruiksverklaring

- Uitsluitend voor professioneel gebruik.

- Dit product en de accessoires mogen niet gemodificeerd worden.
- Gebruik dit product niet indien het beschadigd is.
- Indien de productgegevens of de gevarenwaarschuwingen op het product onleesbaar zijn of losraken, vervang ze dan onmiddellijk.
- Het product mag uitsluitend worden geïnstalleerd, gebruikt en onderhouden door bevoegde personeel in een industriële assemblage-omgeving.

## Beoogd gebruik

De tracker is ontworpen voor installatie op Desoutter EABS draadloze moeraanzetters (zie onderstaande lijst). Ander gebruik is niet toegestaan. Uitsluitend voor professioneel gebruik.

Model	Onderdeelnummer
EABS8-1500-4S	6151660870
EABS8-1500-4Q	6151660880
EABS12-1100-4S	6151660890
EABS12-1100-10S	6151660900
EABS12-1100-4Q	6151660910
EABS17-800-4S	6151660920
EABS17-800-10S	6151660930
EABS17-800-4Q	6151660940
EABS24-500-10S	6151660950
EABS24-500-4Q	6151660960

Trackers communiceren met trackbasissen geïnstalleerd in werkstations via UWB (ultrabreedband) technology.

Model	Onderdeelnummer
Trackbasis	6158133350

## Productspecifieke instructies

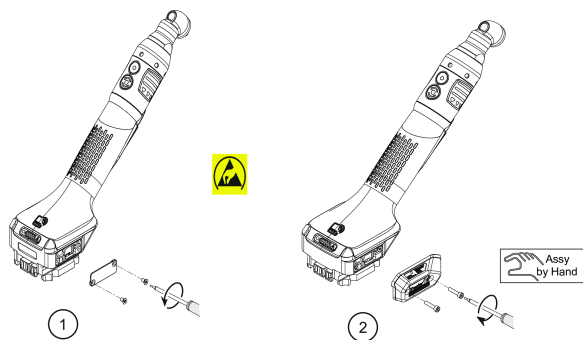
### Minimale firmware- en software-releases

Product	Release
EABS	V 6.0.x
CONNECT	V 2.1.5.x
CVI CONFIG	V 2.3.4.x

## Installeren van de tracker

Verwijder de batterij voorafgaand aan de montage.

## Safety Information



### ⚠ WAARSCHUWING Risico op antistatische ontlading



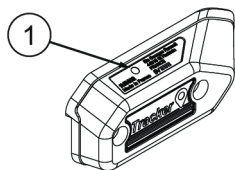
Er is een risico op antistatische ontlading als u uzelf niet aardt.

- Draag een antistatische polsband.

1. Verwijder de afdekplaat.  
Bewaar deze voor later gebruik indien nodig.
2. Plaats de tracker op zijn plaats.  
Draai met de hand aan.

### Aanzetten en inschakelen van de tracker

Sluit een accu aan op het gereedschap.



- 1 Indicator

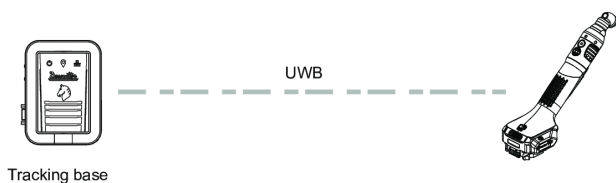
De indicator knippert 5 seconden rood tijdens het opstarten, wat aangeeft dat voeding correct wordt geleverd door het gereedschap.

Als de indicator rood knippert, betekent dit dat er geen firmware of corrupte firmware op de tracker is geïnstalleerd.

Ga naar CONNECT om de tracker in te schakelen.

- ⓘ Zie de productinstructies van het trackingbasisstation (documentnummer 6159925540), beschikbaar op <https://www.desouttertools.com/resource-centre>.

De tracker communiceert vervolgens met het toegewezen trackingbasisstation via UWB.



Het upgradeproces voor de trackerfirmware wordt uitgelegd in het volgende document:

- Zie de productinstructies van het trackingbasisstation (documentnummer 6159925540), beschikbaar op <https://www.desouttertools.com/resource-centre>.
- Modeltype trackingbasisstation:

Typemodel trackingbasisstation	Serienumerindex trackingbasisstation	Productiedatum
Alleen CE	4900xxxxxxx t/m 4903xxxxxxx Vanaf-index = 0 t/m 3	Voor 2021
CE en FCC	4904xxxxxxx en later Vanaf-index = 4	Na 2021

Ledkleur	Beschrijving
groen - brandend	De communicatie met het trackingbasisstation is tot stand gebracht.
rood - brandend	De communicatie met het trackingbasisstation is niet tot stand gebracht.
blauw - brandend	Het trackingbasisstation heeft geen verbinding of is niet zichtbaar voor de tracker.

### Veiligheidsinstructies

Lees de Veiligheidsinformatie met referentienummer 6159925210, meegeleverd met het gereedschap of beschikbaar op <https://www.desouttertools.com/resource-centre>.

### Nuttige informatie

#### Website

Informatie betreffende onze producten, accessoires, reserveonderdelen en pucliaties is te vinden op de website van Desoutter.

Ga naar: [www.desouttertools.com](http://www.desouttertools.com).

#### Informatie over installatiehandleidingen

Gedetailleerde gebruiksinstructies en installatie- en upgradehandleidingen zijn beschikbaar op <https://www.desouttertools.com/resource-centre>.

#### Informatie over reserveonderdelen

Detailoverzichten en lijsten met reserveonderdelen zijn beschikbaar in Service Link op [www.desouttertools.com](http://www.desouttertools.com).

#### Land van oorsprong

France

**Veiligheidsgegevensbladen MSDS/SDS**

De veiligheidsinformatiebladen beschrijven de chemische producten verkocht door Desoutter.

Raadpleeg de Desoutter-website voor meer informatie  
<https://www.desouttertools.com/legal/sds>.

**Copyright**

© Copyright 2022, Ets Georges Renault, 38 rue Bobby Sands, 44818 Saint Herblain, France

Alle rechten voorbehouden. Onrechtmatig gebruik of het kopiëren van de inhoud of een deel hiervan is verboden. Dit is met name van toepassing op handelsmerken, modelnamen, onderdeelnummers en tekeningen. Gebruik uitsluitend onderdelen van Atlas Copco. Schade of defecten als gevolg van het gebruik van onderdelen van derden vallen niet onder de garantie.

**Tekniske data****Tekniske data****Strømforsyning**

Enheden forsynes med strøm fra værktøjet (5 V)

**Strømforbrug**

2,5 W

**Vægt**

0,02 kg  
0,044 lb

**Opbevaring og brug**

Opbevaringstemperatur	-20 til +70 °C (-4 til +158 F)
Driftstemperatur	0 til 45 °C (32 til 113 F)
Opbevaringsfugtighed	0-95 % RH (ikke-kondenserende)
Driftsfugtighed	0-90 % RH (ikke-kondenserende)
Højde op til	2000 m (6562 fod)
Anvendelig i Forureningsgrad 2-miljø	
Kun til indendørs brug	

**Trådløse kommunikationsspecifikationer**

<b>Kanal</b>	<b>1</b>
Midterfrekvens (MHz)	3494,4
Frekvens (MHz) *	3244,8 – 3744
Båndbredde (MHz) *	499,2
Maks. værdi af spidseffekt (dBm)	< 0
Autoriserede lande **	USA

<b>Kanal</b>	<b>2 (standard)</b>
Midterfrekvens (MHz)	3993,6
Frekvens (MHz) *	3774 – 4243,2
Båndbredde (MHz) *	499,2
Maks. værdi af spidseffekt (dBm)	< 0
Autoriserede lande **	Europa, USA

<b>Kanal</b>	<b>3</b>
Midterfrekvens (MHz)	4492,8
Frekvens (MHz) *	4243,2 – 4742,4
Båndbredde (MHz) *	499,2
Maks. værdi af spidseffekt (dBm)	< 0
Autoriserede lande **	Europa, USA

<b>Kanal</b>	<b>4</b>
Midterfrekvens (MHz)	3993,6
Frekvens (MHz) *	3228 – 4659,2
Båndbredde (MHz) *	1331,2
Maks. værdi af spidseffekt (dBm)	< 0
Autoriserede lande **	Europa, USA

<b>Kanal</b>	<b>5</b>
Midterfrekvens (MHz)	6489,6
Frekvens (MHz) *	6240 – 6739,2
Båndbredde (MHz) *	499,2
Maks. værdi af spidseffekt (dBm)	< 0
Autoriserede lande **	Europa, USA

<b>Kanal</b>	<b>7</b>
Midterfrekvens (MHz)	6489,6
Frekvens (MHz) *	5980,3 – 6998,9
Båndbredde (MHz) *	1081,6
Maks. værdi af spidseffekt (dBm)	< 0
Autoriserede lande **	USA

\*: i henhold til UWB IEEE802.15.4-2011

\*\* bemærk inden brug at sporingsenheden skal være indstillet så den overholder lokale regler. Nogle kanaler kan være forbudte. Kontakt din Desoutter-repræsentant for yderligere information.

Der kan opstå interferens mellem enheder som bruger UWB-systemet (IEEE 802.14.5). Der kan anvendes visse foranstaltninger for at undgå eller begrænse denne interferens, såsom:

- Reducer den maksimale radiodækning fra basestationen til sporingsenheden med CVI Monitor
- Forøg afstanden mellem apparaterne

### Erklæringer

#### EU-OVERENSSTEMMELSESERKLÆRING

Vi, **Ets Georges Renault**, 38 rue Bobby Sands, 44818 Saint Herblain, France, erklærer, under enensvar, at produktet (med navn, type og serienummer på forsiden) er i overensstemmelse med følgende direktiv(er):



2011/65/EU, 2014/53/EU

Harmoniserede standarder anvendt:

EN 62841-2-2:2014+C1:2016; EN 62311: 2008; EN 302 065-2 v2.1.1; EN 301 489-33 v2.2.1; EN 301 489-1 v2.2.3; EN 61000-6-2:2019

Myndigheder kan rekvirere relevant teknisk information fra:

Pascal ROUSSY, R&D Manager, 38 rue Bobby Sands, 44818 Saint Herblain, France

Saint Herblain, 2022/07/04

Pascal ROUSSY, R&D Manager

#### EU-typeinspektion

Det bemyndigede organ **EMITECH** med identifikationsnummer **0536** har udført overensstemmelsesvurderingen af den tekniske dokumentation i henhold til proceduren i bilag III (modul B) til direktiv 2014/53/EU og udstedte EU-typeafprøvningsattest nr. **21-I037\_C**.

#### WEEE

Oplysninger vedrørende **Affald af elektrisk og elektronisk udstyr** (WEEE):

Dette produkt og dets oplysninger opfylder kravene i WEEE-direktivet/forordningen (2012/19/EU) og skal håndteres i overensstemmelse med direktivet/forordningen.

Produktet er mærket med symbolet:



Produkter, der er mærket med en overstreget affaldsbeholder på hjul og en sort sort streg under, indeholder dele, der skal håndteres i overensstemmelse med WEEE-direktivet/forordningen. Hele produktet eller WEEE-delene kan sendes til det lokale "Kundecenter" til behandling.

#### Regionale krav

##### ⚠ ADVARSEL

Dette produkt kan udsætte dig for kemikalier og bly, som af staten Californien regnes for at være kræftfremkaldende og kan føre til fosterskader og andre reproduktionsskader. For yderligere oplysninger, gå til

<https://www.p65warnings.ca.gov/>

#### Oplysninger om artikel 33 i REACH

Den europæiske forordning (EU) nr. 1907/2006 om registrering, vurdering og godkendelse af samt begrænsninger for kemikalier (REACH) definerer blandt andet krav til kommunikation i forsyningskæden. Oplysningskravet gælder også for produkter, der indeholder såkaldte særligt problematiske stoffer ("kandidatlisten"). Den 27. juni 2018 blev blymetal (CAS nr. 7439-92-1) føjet til kandidatlisten.

I overensstemmelse med ovenstående skal vi meddele dig, at visse elektriske og mekaniske komponenter i produktet kan indeholde blymetal. Dette er i overensstemmelse med gældende lovgivning om stofbegrænsning og baseret på legitime undtagelser i RoHS-direktivet (2011/65/EU). Blymetal lækker og muterer ikke fra produktet ved normal brug, og koncentrationen af blymetal i det komplette produkt ligger langt under den gældende grænseværdi. Tag hensyn til lokale krav vedrørende bortskaffelse af bly ved slutningen af produktets levetid.

#### Sikkerhed

KASSÉR IKKE DETTE - GIV DET TIL BRUGEREN

⚠ **ADVARSEL Læs alle sikkerhedsadvarsler, anvisninger, illustrationer og specifikationer, der følger med dette produkt.**

Hvis ikke alle instruktionerne følges, kan det føre til elektrisk stød, brand, skade på ejendom og/eller alvorlige kvæstelser.

**Gem alle advarsler og instruktioner til fremtidig brug.**

⚠ **ADVARSEL Alle lokalt gældende sikkerhedsforskrifter omhandlende installation, drift og vedligeholdelse skal altid overholdes.**

#### Anvendelseserklæring

- Kun til professionel brug.
- Dette produkt og produktets tilbehør må ikke modificeres på nogen måde.
- Dette produkt må ikke bruges, hvis det er beskadiget.
- Hvis mærkaterne om produktdata eller advarsler på værktøjet ikke længere kan læses eller falder af, skal der straks sættes nye på.
- Produktet må kun installeres, betjenes og serviceres af en kvalificeret person i et industriområde.

#### Beregnet brug

Springsenheden er designet til installation i Desoutter EABS ledningsfri møtrikspændere (se listen nedenfor). Ingen anden brug er tilladt. Kun til professionel brug.

Model	Artikelnummer
EABS8-1500-4S	6151660870
EABS8-1500-4Q	6151660880
EABS12-1100-4S	6151660890
EABS12-1100-10S	6151660900
EABS12-1100-4Q	6151660910

Model	Artikelnummer
EABS17-800-4S	6151660920
EABS17-800-10S	6151660930
EABS17-800-4Q	6151660940
EABS24-500-10S	6151660950
EABS24-500-4Q	6151660960

Springsenheder kommunikerer med springsbaser, der er installeret i arbejdsstationer via UWB-teknologi (Ultra-Wide Band).

Model	Artikelnummer
Springsbase	6158133350

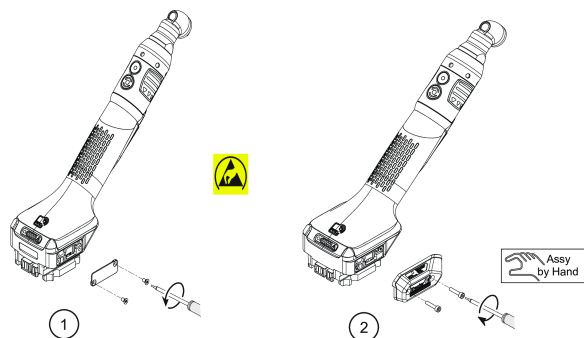
## Produktspecifikke instrukser

### Minimum firmware- og softwareudgivelser

Produkt	Udgivelse
EABS	V 6.0.x
CONNECT	V 2.1.5.x
CVI CONFIG	V 2.3.4.x

## Installering af springsenheden

Fjern batteriet før montering.



### ⚠ ADVARSEL Risiko for antistatisk udladning



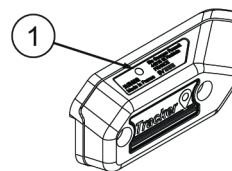
Der er en risiko for antistatisk udladning, hvis du ikke personligt er jordet.

- Bør en antistatisk håndledsrem.

1. Fjern dækpladen.  
Opbevar den til senere brug, hvis nødvendigt.
2. Sæt springsenheden på plads.  
Stram med hånden.

## Sådan tændes og aktiveres springsenheden

Sæt et batteri i værktøjet.



1 Indikator

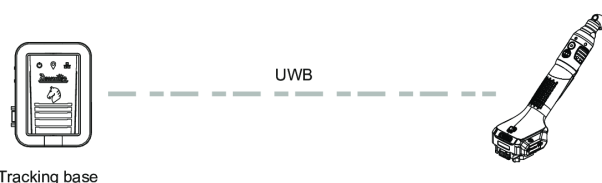
Lampen blinker grønt i 5 sekunder under start for at indikere at strømforsyningen er forbundet korrekt til værktøjet.

Hvis indikatoren blinker rødt, betyder det at der ikke er installeret firmware eller at der er installeret beskadiget firmware på springsenheden.

Gå til CONNECT for at aktivere springsenheden.

- ⓘ Se produktvejledningen til springsenhedens basestation (tryksag nr. 6159925540) som kan findes på <https://www.desouttertools.com/resource-centre>.

Springsenheden kommunikerer med den dedikerede basisstation via UWB.



Firmware i springsenheden er beskrevet i følgende dokument:

- Se produktvejledningen til springsenhedens basestation (tryksag nr. 6159925540) som kan findes på <https://www.desouttertools.com/resource-centre>.
- Modeltype for basisstation:

Typemodel for basisstation	Serienummerindeks for basisstation	Produktionsdato
Kun CE	4900xxxxxxx to 4903xxxxxxx From index = 0 to 3	Før 2021
CE & FCC	4904xxxxxxxog senere fra indeks = 4	Efter 2021

LED-farve	Beskrivelse
grøn, fast	Kommunikation med basisstationen er etableret.
rød, fast	Kommunikation med basisstationen er ikke etableret.
blå, fast	Basisstationen er frakoblet eller usynlig for springsenheden.

## Safety Information

### Sikkerhedsinstruktioner

Læs sikkerhedsinstruktionerne med referencenummer 6159925210, der følger med værktøjet. Kan også findes på <https://www.desouttertools.com/resource-centre>.

### Nyttig information

#### Website

Information om vores produkter, tilbehør, reservedele og publikationer kan findes på vores websted for Desoutter.

Gå ind på: [www.desouttertools.com](http://www.desouttertools.com).

### Information om monteringsvejledninger

Detaljeret betjeningsvejledning, installerings- og opgraderingsvejledninger er tilgængelige på <https://www.desouttertools.com/resource-centre>.

### Information om reservedele

Sprængbilleder og reservedelslister findes i Service Link på [www.desouttertools.com](http://www.desouttertools.com).

### Oprindelsesland

France

### Sikkerhedsdatablade MSDS/SDS

Sikkerhedsdatabladet indeholder beskrivelser af kemiske produkter leveret af Desoutter.

Se websiden vedrørende Desoutter for yderligere oplysninger på <https://www.desouttertools.com/legal/sds>.

### Copyright

© Copyright 2022, Ets Georges Renault, 38 rue Bobby Sands, 44818 Saint Herblain, France

Alle rettigheder forbeholdes. Al uautoriseret brug eller kopiering af indholdet eller dele deraf er forbudt. Dette gælder især varemærker, modelbetegnelser, reservedelsnumre og tegninger. Brug kun autoriserede reservedele. Al skade eller fejlfunktion som følge af brug af uautoriserede dele dækkes hverken af garantien eller produktansvaret.

## Tekniske data

### Tekniske data

#### Strømforsyning

Drevet av værktøyet (5 V

#### Strømforbrug

2,5 W

### Vekt

0.02 kg

0.044 lb

### Oppbevaring og bruksbetingelser

Oppbevaringstemperatur	-20 til +70 °C (-4 til +158 F)
Driftstemperatur	0 til 45 °C (32 til 113 F)
Oppbevaringsfuktighet	0-95 % relativ fuktighet (ikke-kondenserende)
Driftsfuktighet	0-90 % relativ fuktighet (ikke-kondenserende)
Høyde opp til	2000 m (6562 fot)
Brukbar i forurensningsgrad	2 miljø
Kun innendørs bruk	

### Trådløse kommunikasjonsspesifikasjoner

<b>Kanal</b>	<b>1</b>
Senterfrekvens (MHz)	3494,4
Frekvens (Hz)	3244.8 / 3744
Båndbredde (MHz) *	499,2
Maks. verdi av toppeffekt (dBm)	< 0
Autoriserte land **	(USA)

<b>Kanal</b>	<b>2 (standard)</b>
Senterfrekvens (MHz)	3993,6
Frekvens (Hz)	3774 / 4243,2
Båndbredde (MHz) *	499,2
Maks. verdi av toppeffekt (dBm)	< 0
Autoriserte land **	Europa, USA

<b>Kanal</b>	<b>3</b>
Senterfrekvens (MHz)	4492,8
Frekvens (Hz)	4243,2 / 4742,4
Båndbredde (MHz) *	499,2
Maks. verdi av toppeffekt (dBm)	< 0
Autoriserte land **	Europa, USA

<b>Kanal</b>	<b>4</b>
Senterfrekvens (MHz)	3993,6
Frekvens (Hz)	3228 / 4659,2
Båndbredde (MHz) *	1331,2
Maks. verdi av toppeffekt (dBm)	< 0
Autoriserte land **	Europa, USA

<b>Kanal</b>	<b>5</b>
--------------	----------

Senterfrekvens (MHz)	6489,6
Frekvens (Hz)	6240 / 6739,2
Båndbredde (MHz) *	499,2
Maks. verdi av toppeffekt (dBm)	< 0
Autoriserte land **	Europa, USA

<b>Kanal</b>	<b>7</b>
Senterfrekvens (MHz)	6489,6
Frekvens (Hz)	5980,3 / 6998,9
Båndbredde (MHz) *	1081,6
Maks. verdi av toppeffekt (dBm)	< 0
Autoriserte land **	(USA)

\*: i følge UWB IEEE802.15.4-2011

\*\* : før bruk, vær oppmerksom på at trackeren må stilles inn for å være i samsvar med lokale forskrifter. Noen kanaler kan være lokalt forbudt. Kontakt din Desoutter-representant for mer informasjon.

Forstyrrelser mellom enheter som bruker UWB-systemet (IEEE 802.14,5) kan forekomme. Noen avbøtende tiltak kan brukes for å unngå eller redusere disse forstyrrelsene som:

- Reduser den maksimale radiodekningen fra sporingsbasen med CVI-monitor
- Øk avstanden mellom enhetene

## Erklæringer

### EU-SAMSVARERKLÆRING

Vi, **Ets Georges Renault**, 38 rue Bobby Sands, 44818 Saint Herblain, France, erklærer under eget ansvar at produktet (med navn, type og serienummer, se forsiden) er i samsvar med følgende direktiv(er):

**2011/65/EU, 2014/53/EU**

Benyttede harmoniserte standarder:

**EN 62841-2-2:2014+C1:2016; EN 62311: 2008; EN 302 065-2 v2.1.1; EN 301 489-33 v2.2.1; EN 301 489-1 v2.2.3; EN 61000-6-2:2019**

Myndigheter kan be om relevant teknisk informasjon fra:

Pascal ROUSSY, R&D Manager, 38 rue Bobby Sands, 44818 Saint Herblain, France

Saint Herblain, 2022/07/04

Pascal ROUSSY, R&D Manager

EU-type Undersøkelse

Det bemyndigede organet **EMITECH** med Id-nummer **0536** utførte samsvarsvurderingen av den tekniske dokumentasjonen i henhold til prosedyren i vedlegg III (modul B) til direktiv 2014/53/EF og utstedte EU-type undersøkelsessertifikat nr. **21-I037\_C**.



## WEEE

Informasjon angående **Avfall fra elektrisk og elektronisk utstyr** (WEEE):

Dette produktet og informasjonen om produktet imøtekommer kravene i WEEE-direktivet/forordningene (2012/19/EU) og må håndteres i samsvar med direktivet/forordningene.

Produktet er merket med det følgende symbolet:



Produkter som er merket med en søppeldunk med kryss over og en enkel svart linje under, inneholder deler som må håndteres i tråd med WEEE-direktivet/forordningene. Hele produktet, eller WEEE-delene, kan sendes til "Kundesenteret" ditt for håndtering.

## Regionale krav

### ⚠ ADVARSEL

Dette produktet kan utsette deg for kjemikalier inkludert bly, noe den amerikanske staten California regner som kreftfremkallende, som årsak til fosterskader og på andre måter som skadelig for forplantningsprosessen. For mer informasjon besøk

<https://www.p65warnings.ca.gov/>

## Informasjon angående artikkel 33 i REACH

Den Europeiske reguleringen (EU) Nr. 1907/2006 som gjelder registrering, evaluering, autorisasjon og restriksjon av kjemikalier (REACH) definerer, blant annet, krav relatert til kommunikasjon i leveransekjeden. Informasjonskravet gjelder også produkter som inneholder såkalte stoffer av meget høy bekymring ("Kandidatlisten"). Den 27.juni, 2018 ble blymetall (CAS nr 7439-92-1) lagt til kandidatlisten.

I henhold med det ovenstående er dette for å informere deg om at visse elektriske og mekaniske komponenter i produktet kan inneholde blymetall. Dette er i samsvar med den gjeldende lovgivningen som gjelder restriksjoner av stoffer og basert på legitime unntak i RoHS direktivet (2011/65/EU). Blymetall vil ikke lekke eller muteres fra produktet under vanlig bruk og konsentrasjonen av blymetall i det komplette produktet er godt under den gjeldende terskelgrensen. Se over lokale krav angående avhending av bly når produktets brukstid er utløpt.

## Sikkerhet

KAST IKKE BORT - GI TIL BRUKER

⚠ **ADVARSEL Les alle sikkerhetsadvarslene, instruksjoner, illustrasjoner og spesifikasjoner som medfølger dette produktet.**

Dersom du ikke følger instruksjonene under, kan det føre til elektrisk støt, brann og/eller alvorlige skader.

**Ta vare på alle advarsler og anvisninger for fremtidig bruk.**

## Safety Information

**⚠ ADVARSEL** Alle lokale, lovbestemte sikkerhetsregler vedrørende installasjon, operasjon og vedlikehold skal overholdes til enhver tid.

### Brukserklæring

- Kun til profesjonell bruk.
- Dette produktet og dets tilbehør må ikke på noen måte modifiseres.
- Ikke bruk dette produktet hvis det har blitt skadet.
- Dersom dataverktøyet eller farevarselskiltene på produktet ikke lenger er leselige eller løsner, må disse skiftes ut umiddelbart.
- Produktet må kun installeres, brukes og vedlikeholdes av en kvalifisert person i et industrielt monteringsmiljø.

### Tiltenkt bruk

Springsenheten er utformet for å bli installert på Desoutter EABS trådløse muttertrekkere (se listen nedenfor). Annet bruk er ikke tillatt. Kun til profesjonell bruk.

Modell	Delenummer
EABS8-1500-4S	6151660870
EABS8-1500-4Q	6151660880
EABS12-1100-4S	6151660890
EABS12-1100-10S	6151660900
EABS12-1100-4Q	6151660910
EABS17-800-4S	6151660920
EABS17-800-10S	6151660930
EABS17-800-4Q	6151660940
EABS24-500-10S	6151660950
EABS24-500-4Q	6151660960

Springsenheter kommuniserer med springsbaser installert i arbeidsstasjoner via UWB (Ultra-Wide Band)-teknologi.

Modell	Delenummer
Springsbase	6158133350

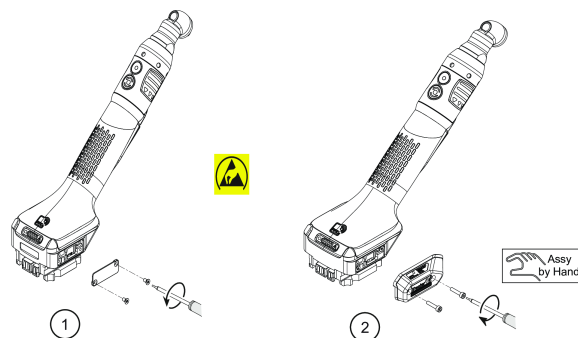
### Produktspesifikke instruksjoner

#### Minimum fastvare og programvareutgivelser

Produkt	Utgivelse
EABS	V 6.0.x
CONNECT	V 2.1.5.x
CVI CONFIG	V 2.3.4.x

### Installere springsenheten

Fjern batteripakken før montering.



### ⚠ ADVARSEL Risiko for antistatisk utlading



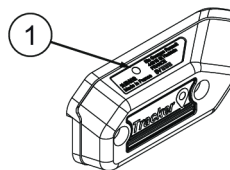
Det er risiko for antistatisk utlading hvis du ikke jorder deg.

- Bruk en antistatisk håndledsrem.

1. Fjern dekselplaten.  
Ta vare på den for senere bruk, om nødvendig.
2. Sett sporeren på plass.  
Stram for hånd.

### Slik slår du på og aktiverer springsenheten

Koble en batteripakke til verktøyet.



- 1 Indikator

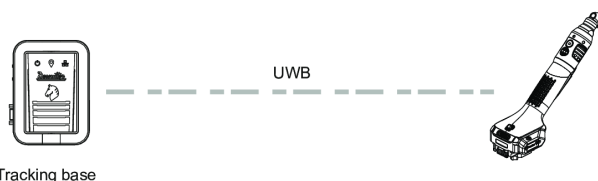
Indikatoren blinker grønt i fem sekunder under oppstart, noe som indikerer at strømtilførselen er riktig levert av verktøyet.

Hvis indikatoren blinker rødt, betyr det at ingen fastvare eller ødelagt fastvare er installert på trackeren.

Gå til CONNECT for å aktivere trackeren.

- ⓘ Se produktinstruksjonene til springsbasen (trykksak nr. 6159925540) tilgjengelig på <https://www.desouttertools.com/resource-centre>.

Trackeren vil da kommunisere med den dedikerte springsbasen via UWB.



Tracker-fastvareoppgraderingsprosessen er forklart i følgende dokument:



- Se produktinstruksjonene til sporingsbasen (trykksak nr. 6159925540) tilgjengelig på <https://www.desouttertools.com/resource-centre>.
- Sporingsbase modelltype:

Sporingsbase type modell	Sporingsbase serienummer-indeks	Produksjonsdato
Kun EU	4900xxxxxxx til 4903xxxxxxxFra indeks = 0 til 3	Før 2021
CE og FCC	4904xxxxxxx og senere fra indeks = 4	Etter 2021

LED-farge	Beskrivelse
grønn - jevn	Kommunikasjonen med sporingsbasen er etablert.
rød - jevn	Kommunikasjonen med sporingsbasen er ikke etablert.
blå - jevn	Sporingsbasen er frakoblet eller ikke synlig fra trackeren.

## Sikkerhetsinstruksjoner

Les sikkerhetsinstruksjonene med referansenummer 6159925210 levert med verktøyet eller tilgjengelig på <https://www.desouttertools.com/resource-centre>.

## Nyttig informasjon

### Nettsider

Du finner informasjon vedrørende produkter, tilbehør, reservedeler og publiserte saker på Desoutter-nettstedet.

Besøk siden: [www.desouttertools.com](http://www.desouttertools.com).

### Informasjon om installasjonsmanualer

Detaljerte bruksanvisninger, installasjons- og oppgraderingshåndbøker er tilgjengelige på <https://www.desouttertools.com/resource-centre>.

### Informasjon om reservedeler

Sprengskisser og reservedelstlister er tilgjengelig fra Service Link hos [www.desouttertools.com](http://www.desouttertools.com).

### Opphavsland

France

### Sikkerhetsdataark MSDS/SDS

Sikkerhetsdataarket beskriver de kjemiske produktene solgt av Desoutter.

Vennligst se Desoutter nettsider for mer informasjon <https://www.desouttertools.com/legal/sds>.

## Opphavsrett

© Copyright 2022, Ets Georges Renault, 38 rue Bobby Sands, 44818 Saint Herblain, France

Alle rettigheter forbeholdes. All uautorisert bruk eller kopiering av innholdet eller en del av dette er forbudt. Dette gjelder spesielt for varemerker, modellbetegnelser, delenumre og tegninger. Bruk kun autoriserte deler. Skader eller feilfunksjoner som forårsakes av bruk av uautoriserte deler, dekkes ikke av garantien eller produktansvaret.

## Tekniset tiedot

### Tekniset tiedot

#### Virtalähde

Jännite työkalusta (5 V)

#### Virrankulutus

2,5 W

#### Paino

0,02 kg  
0,044 lb

## Varastointi- ja käyttöolosuhteet

Varastointilämpötila	-20 – +70 °C (-4 – +158 F)
Käyttölämpötila	0 – 45 °C (32 – 113 F)
Varastointikosteus	0–95 % RH (ei tiivistymistä)
Käyttökosteus	0-90 % RH (ei tiivistymistä)
Korkeus merenpinnasta enintään	2000 m (6562 jalkaa)
Voidaan käyttää likaantumisasteen 2 ympäristössä	
Vain sisäkäyttöön	

## Langaton tiedonsiirto

<b>Kanava</b>	<b>1</b>
Keskitaajuus (MHz)	3 494,4
Taajuus (MHz) *	3 244,8–3 744
Kaistanleveys (MHz) *	499,2
Huipputehon enimmäisarvo (dBm)	< 0
Valtuutetut maat **	Yhdysvallat

<b>Kanava</b>	<b>2 (oletus)</b>
Keskitaajuus (MHz)	3 993,6
Taajuus (MHz) *	3 774–4 243,2
Kaistanleveys (MHz) *	499,2
Huipputehon enimmäisarvo (dBm)	< 0
Valtuutetut maat **	Eurooppa, Yhdysvallat

## Safety Information

<b>Kanava</b>	<b>3</b>
Keskitaajuus (MHz)	4 492,8
Taajuus (MHz) *	4 243,2–4 742,4
Kaistanleveys (MHz) *	499,2
Huipputehon enimmäisarvo (dBm)	< 0
Valtuutetut maat **	Eurooppa, Yhdysvallat

<b>Kanava</b>	<b>4</b>
Keskitaajuus (MHz)	3 993,6
Taajuus (MHz) *	3 228–4 659,2
Kaistanleveys (MHz) *	1 331,2
Huipputehon enimmäisarvo (dBm)	< 0
Valtuutetut maat **	Eurooppa, Yhdysvallat

<b>Kanava</b>	<b>5</b>
Keskitaajuus (MHz)	6 489,6
Taajuus (MHz) *	6 240–6 739,2
Kaistanleveys (MHz) *	499,2
Huipputehon enimmäisarvo (dBm)	< 0
Valtuutetut maat **	Eurooppa, Yhdysvallat

<b>Kanava</b>	<b>7</b>
Keskitaajuus (MHz)	6 489,6
Taajuus (MHz) *	5 980,3–6 998,9
Kaistanleveys (MHz) *	1 081,6
Huipputehon enimmäisarvo (dBm)	< 0
Valtuutetut maat **	Yhdysvallat

\*: standardin UWB IEEE802.15.4-2011 mukaisesti

\*\* : huomaa ennen käyttöä, että jäljitin tulee asettaa paikallisten säädösten mukaisesti. Jotkin kanavat saattavat olla paikallisesti estetty. Kysy lisätietoja Desoutter-edustajalta.

UWB-järjestelmää (IEEE 802.14.5) käytävien laitteiden välillä voi tapahtua häiriöitä. Joitakin lieventäviä toimenpiteitä voi käyttää häiriöiden välttämiseksi tai vähentämiseksi:

- Vähennä enimmäisradiokuuluvuutta jäljitinalustasta CVI-monitorin avulla
- Lisää laitteiden välistä etäisyyttä

## Vakuutukset

### EU-VAATIMUSTENMUKAISUUSVAKUUTUS

Me, **Ets Georges Renault**, 38 rue Bobby Sands, 44818 Saint Herblain, France, vakuutamme yksinomaisella vastuullamme, että tuote (nimi, tyyppi ja sarjanumero, katso etusivu) on yhdenmukainen seuraavien direktiivien kanssa:



**2011/65/EU, 2014/53/EU**

Sovelletut yhdenmukaistetut standardit:

**EN 62841-2-2:2014+C1:2016; EN 62311: 2008; EN 302 065-2 v2.1.1; EN 301 489-33 v2.2.1; EN 301 489-1 v2.2.3; EN 61000-6-2:2019**

Viranomaiset voivat pyytää asiaan liittyvät tekniset tiedot seuraavasta osoitteesta:

Pascal ROUSSY, R&D Manager, 38 rue Bobby Sands, 44818 Saint Herblain, France

**Saint Herblain, 2022/07/04**

**Pascal ROUSSY, R&D Manager**

**EU-tyyppitarkastus**

Ilmoitettu laitos **EMITECH** tunnistenumeroilla **0536** suoritti teknisen dokumentaation vaatimustenmukaisuuden arvioinnin direktiivin 2014/53/EU liitteen III (moduuli B) mukaisesti ja myönsi EU-tyypin tyyppitarkastustodistuksen nro **21-I037\_C**.

## WEEE

Tietoja koskien **Sähkö- ja elektroniikkalaiteromuja** (WEEE):

Tämä tuote ja sen tiedot noudattavat WEEE-direktiivin/asetusten vaatimuksia (2012/19/EU) ja sitä on käsiteltävä direktiivin/asetusten mukaisesti.

Tuotteeseen on merkitty seuraava symboli:



Tuotteet, jotka on merkitty pyörillä varustetulla jäteastiasymbolilla, jonka yli on vedetty risti, sisältävät osia, jotka täytyy käsitellä WEEE-direktiivin/asetusten mukaisesti. Koko tuote tai WEEE-osat voidaan lähettää käsiteltäväksi "Asiakaskeskukseesi".

## Alueelliset vaatimukset

### ⚠️ VAROITUS

Tuote voi altistaa käyttäjän kemikaaleille, kuten liijylle, jonka Kalifornian osavaltiossa tiedetään aiheuttavan syöpää ja synnynnäisiä epämuodostumia tai muuta lisääntymishaittaa. Katso lisätietoja osoitteesta

<https://www.p65warnings.ca.gov/>

## Tietoa REACH-asetuksen artiklasta 33

Euroopan REACH-asetus (EU) N:o 1907/2006 kemikaalien rekisteröinnistä, arvioinnista, lupamenettelyistä ja rajoituksesta määrittelee muun muassa toimitusketjun viestintään liittyviä velvoitteita. Tiedonantovelvoite koskee myös tuotteita, jotka sisältävät niin sanottuja erityistä huolta aiheuttavia aineita (ns. ehdokasluettelon aineita). 27. kesäkuuta 2018 tähän ehdokasluetteloon lisättiin lyijymetalli (CAS-numero 7439-92-1).

Yllä olevaa noudattaen haluamme ilmoittaa, että jotkut sähköiset ja mekaaniset komponentit tuotteessa saattavat sisältää lyijymetallia. Tämä on aineiden rajoittamista koskevan lainsäädännön mukaista ja perustuu RoHS-direktiivin (2011/65/EU) poikkeuksiin. Lyijymetalli ei vuoda eikä mutoidu tuotteesta normaalin käytön aikana, ja lyijymetallipitoisuus valmiissa tuotteessa on huomattavasti alle sovellettavan kynnsarvon. Ota huomioon paikalliset vaatimukset lyijyn hävittämiseksi tuotteen käyttöiän lopussa.

## Turvallisuus

ÄLÄ HÄVITÄ – ANNETTAVA KÄYTTÄJÄLLE

**VAROITUS** Lue tämän tuotteen mukana toimitetut kaikki turvallisuusvaroitukset, ohjeet, kuvaukset ja tekniset tiedot.

Jos kaikkia alapuolella kuvattuja ohjeita ei noudateta, seurauksena voi olla sähköisku, tulipalo, omaisuusvahinko ja/tai vakava henkilövahinko.

Säilytä kaikki varoitukset ja ohjeet myöhempää käyttöä varten.

**VAROITUS** Kaikkia paikallisia turvallisuusohjeita koskien asennusta, käyttöä ja huoltoa on aina noudatettava.

### Käyttötiedote

- Vain ammattikäyttöön.
- Tätä tuotetta ja sen lisälaitteita ei saa muuttaa millään tavalla.
- Älä käytä tuotetta, jos se on vaurioitunut.
- Jos tuotteen tietojen tai vaarasta varoittavat kyltit eivät ole enää selvästi luettavissa tai irtoavat, ne on vaihdettava välittömästi.
- Vain pätevä henkilö saa asentaa, käyttää ja huoltaa tuotetta teollisuusympäristössä.

### Käyttötarkoitus

Jäljitin on suunniteltu asennettavaksi langattomiin Desoutter EABS -mutterivääntimiin (katso luettelo alta). Muu käyttö kielletty. Vain ammattikäyttöön.

Malli	Osanumero
EABS8-1500-4S	6151660870
EABS8-1500-4Q	6151660880
EABS12-1100-4S	6151660890
EABS12-1100-10S	6151660900
EABS12-1100-4Q	6151660910

Malli	Osanumero
EABS17-800-4S	6151660920
EABS17-800-10S	6151660930
EABS17-800-4Q	6151660940
EABS24-500-10S	6151660950
EABS24-500-4Q	6151660960

Jäljittimet viestivät jäljitinalustojen kanssa työasemiin asennetun UWB (Ultra-Wide Band) -teknologian kautta.

Malli	Osanumero
Jäljitinalusta	6158133350

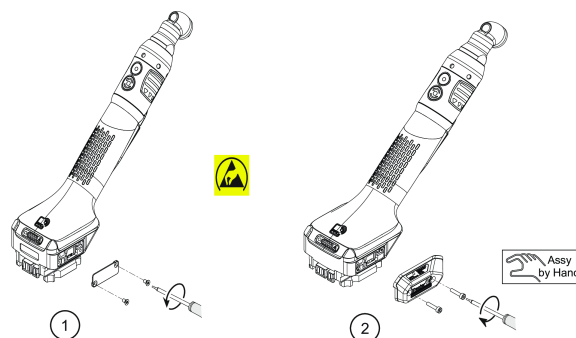
## Tuotekohtaiset ohjeet

### Laiteohjelmiston ja ohjelmiston vähimmäisjulkaisuversiot

Tuote	Julkaisuversio
EABS	V 6.0.x
CONNECT	V 2.1.5.x
CVI CONFIG	V 2.3.4.x

### Jäljittimen asennus

Poista akku ennen kokoamista.



**VAROITUS** Sähköstaattisen purkauksen riski



Jos et maadoita itseäsi, on olemassa sähköstaattisen purkauksen riski.

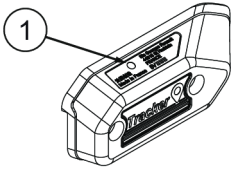
- Käytä antistaattista ranneketta.

1. Poista suojalevy. Säilytä se myöhempää käyttöä varten.
2. Laita jäljitin paikalleen. Kiristä käsin.

### Miten jäljitin käynnistetään ja otetaan käyttöön

Liitä akku työkaluun.

## Safety Information



### 1 Osoitin

Osoitin vilkkuu 5 sekunnin ajan vihreänä käynnistyksen aikana, mikä osoittaa, että työkalu tarjoaa oikean virransyötön.

Jos osoitin vilkkuu punaisena, se tarkoittaa, että jäljittimelle ei ole asennettu mitään laiteohjelmaa tai laiteohjelma on vioittunut.

Siirry CONNECT ottaaksesi jäljittimen käyttöön.

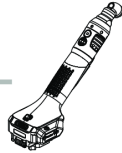
- ❗ Katso jäljitinalustan tuoteohjeet (painotuotenumero 6159925540) osoitteesta <https://www.desouttertools.com/resource-centre>.

Jäljitin siirtää tietoja erillisen jäljitinalustan kanssa UWB:n kanssa.



Tracking base

UWB



Jäljittimen laiteohjelman päivitysprosessi on selitetty seuraavassa asiakirjassa:

- Katso jäljitinalustan tuoteohjeet (painotuotenumero 6159925540) osoitteesta <https://www.desouttertools.com/resource-centre>.
- Jäljitinalustan mallityyppi:

Jäljitinalustan tyyppimalli	Jäljitinalustan sarjanumeron indeksi	Valmistuspäivämäärä
Vain CE	4900xxxxxxx - 4903xxxxxxx Indeksistä = 0 - 3	Ennen 2021
CE & FCC	4904xxxxxxx ja uudempi Indeksistä = 4	Jälkeen 2021

LED:n väri	Kuvaus
Vihreä - tasainen	Tiedonsiirto jäljitinalustan kanssa on luotu.
Punainen - tasainen	Tiedonsiirtoa jäljitinalustan kanssa ei ole luotu.
Sininen - tasainen	Jäljitinalusta on irrotettu tai sitä ei näy jäljittimestä.

## Turvallisuusohjeet

Lue turvallisuustiedot ohjeesta 6159925210, joka on toimitettu työkalun mukana tai joka on saatavilla osoitteessa <https://www.desouttertools.com/resource-centre>.

## Hyödyllistä tietoa

### Verkkosivusto

Tietoa yrityksemme tuotteista, lisälaitteista, varaosista ja julkaisuista on Desoutter -sivustolla.

Käy osoitteessa: [www.desouttertools.com](http://www.desouttertools.com).

### Tietoa asennusoppaista

Tarkemmat käyttöohjeet, asennus- ja päivitysoppaat ovat saatavilla osoitteessa <https://www.desouttertools.com/resource-centre>.

### Tietoa varaosista

Räjähdytskuvia ja varaosaluetteloita on saatavissa Service Linkin kautta osoitteesta [www.desouttertools.com](http://www.desouttertools.com).

## Alkuperäismaa

France

## Käyttöturvallisuustiedotteet MSDS/SDS

Käyttöturvallisuustiedote kuvaa Desoutterin myymiä kemikaalituotteita.

Katso lisätietoja Desoutter in verkkosivustolta <https://www.desouttertools.com/legal/sds>.

## Copyright

© Copyright 2022, Ets Georges Renault, 38 rue Bobby Sands, 44818 Saint Herblain, France

Kaikki oikeudet pidätetään. Sisällön tai sen osan luvaton käyttö tai kopiointi on kielletty. Se koskee erityisesti tavaramerkkejä, mallinimityksiä, osanumeroita ja piirustuksia. Käytä vain hyväksytyjä varaosia. Takuu tai tuotevastuu ei korvaa mitään vaurioita tai toimintahäiriöitä, jotka johtuvat muiden kuin hyväksytyjen varaosien käytöstä.

## Τεχνικά δεδομένα

### Τεχνικά δεδομένα

### Τροφοδοτικό ισχύος

Τροφοδοτείται από το εργαλείο (5 V)

### Κατανάλωση ισχύος

2,5 W

**Βάρος**

0,02 kg  
0,044 lb

**Συνθήκες αποθήκευσης και χρήσης**

Θερμοκρασία αποθήκευσης	-20 έως +70 °C (-4 έως +158 F)
Θερμοκρασία λειτουργίας	0 έως 45 °C (32 έως 113 F)
Υγρασία αποθήκευσης	0-95 % RH (χωρίς συμπύκνωση)
Υγρασία λειτουργίας	0-90 % RH (χωρίς συμπύκνωση)
Υψόμετρο έως	2000 m (6562 πόδια)
Χρησιμοποιείται σε περιβάλλον βαθμού ρύπανσης 2	
Μόνο για εσωτερική χρήση	

**Προδιαγραφές ασύρματης επικοινωνίας**

<b>Κανάλι</b>	<b>1</b>
Κεντρική συχνότητα (MHz)	3494,4
Συχνότητα (MHz) *	3244,8 – 3744
Εύρος ζώνης (MHz) *	499,2
Μέγιστη τιμή του μέγιστου ισχύος (dBm)	< 0
Εξουσιοδοτημένες χώρες **	ΗΠΑ
<b>Κανάλι</b>	<b>2 (προεπιλογή)</b>
Κεντρική συχνότητα (MHz)	3993,6
Συχνότητα (MHz) *	3774 – 4243,2
Εύρος ζώνης (MHz) *	499,2
Μέγιστη τιμή του μέγιστου ισχύος (dBm)	< 0
Εξουσιοδοτημένες χώρες **	Ευρώπη, ΗΠΑ
<b>Κανάλι</b>	<b>3</b>
Κεντρική συχνότητα (MHz)	4492,8
Συχνότητα (MHz) *	4243,2 – 4742,4
Εύρος ζώνης (MHz) *	499,2
Μέγιστη τιμή του μέγιστου ισχύος (dBm)	< 0
Εξουσιοδοτημένες χώρες **	Ευρώπη, ΗΠΑ
<b>Κανάλι</b>	<b>4</b>
Κεντρική συχνότητα (MHz)	3993,6
Συχνότητα (MHz) *	3228 – 4659,2
Εύρος ζώνης (MHz) *	1331,2
Μέγιστη τιμή του μέγιστου ισχύος (dBm)	< 0
Εξουσιοδοτημένες χώρες **	Ευρώπη, ΗΠΑ

<b>Κανάλι</b>	<b>5</b>
Κεντρική συχνότητα (MHz)	6489,6
Συχνότητα (MHz) *	6240 – 6739,2
Εύρος ζώνης (MHz) *	499,2
Μέγιστη τιμή του μέγιστου ισχύος (dBm)	< 0
Εξουσιοδοτημένες χώρες **	Ευρώπη, ΗΠΑ

<b>Κανάλι</b>	<b>7</b>
Κεντρική συχνότητα (MHz)	6489,6
Συχνότητα (MHz) *	5980,3 – 6998,9
Εύρος ζώνης (MHz) *	1081,6
Μέγιστη τιμή του μέγιστου ισχύος (dBm)	< 0
Εξουσιοδοτημένες χώρες **	ΗΠΑ

\*: σύμφωνα με το UWB IEEE802.15.4-2011

\*\* : πριν από τη χρήση, σημειώστε ότι ο ανιχνευτής πρέπει να ρυθμιστεί ώστε να συμμορφώνεται με τους τοπικούς κανονισμούς. Ορισμένα κανάλια ενδέχεται να απαγορεύονται τοπικά. Επικοινωνήστε με τον αντιπρόσωπο της Desoutter για περισσότερες πληροφορίες.

Ενδέχεται να προκύψουν παρεμβολές μεταξύ συσκευών που χρησιμοποιούν σύστημα UWB (IEEE 802.14.5). Ορισμένα μέτρα για τον μετριασμό μπορούν να χρησιμοποιηθούν για την αποφυγή ή τη μείωση αυτών των παρεμβολών όπως:

- Μειώστε τη μέγιστη ραδιοκάλυψη από τη βάση παρακολούθησης με οθόνη CVI
- Αυξήστε την απόσταση μεταξύ των συσκευών

**Δηλώσεις****ΔΗΛΩΣΗ ΣΥΜΜΟΡΦΩΣΗΣ ΕΕ**

Εμείς, η **Ets Georges Renault**, 38 rue Bobby Sands, 44818 Saint Herblain, France, δηλώνουμε με αποκλειστική ευθύνη μας ότι το προϊόν (με ονομασία, τύπο και σειριακό αριθμό, βλ. εξώφυλλο) συμμορφώνεται με την/τις παρακάτω Οδηγία/ες:

**2011/65/EU, 2014/53/EU**

Ισχύοντα εναρμονισμένα πρότυπα:


**EN 62841-2-2:2014+C1:2016; EN 62311: 2008; EN 302 065-2 v2.1.1; EN 301 489-33 v2.2.1; EN 301 489-1 v2.2.3; EN 61000-6-2:2019**

Οι αρχές μπορούν να ζητήσουν τις σχετικές τεχνικές πληροφορίες από:

Pascal ROUSSY, R&D Manager, 38 rue Bobby Sands, 44818 Saint Herblain, France

**Saint Herblain, 2022/07/04**

**Pascal ROUSSY, R&D Manager**




## Safety Information

### Εξέταση τύπου ΕΕ

Ο κοινοποιημένος οργανισμός **EMITECH** με αριθμό αναγνώρισης **0536** διενήργησε την αξιολόγηση της συμμόρφωσης του τεχνικού φακέλου σύμφωνα με τη διαδικασία του Παραρτήματος III (ενότητα Β) της οδηγίας 2014/53/ΕΕ και εξέδωσε το πιστοποιητικό εξέτασης τύπου **21-1037\_C**.

### ΑΗΗΕ

Πληροφορίες σχετικά με τα **Απόβλητα Ηλεκτρικού και Ηλεκτρονικού Εξοπλισμού (ΑΗΗΕ)**:

Αυτό το προϊόν και οι πληροφορίες του πληρούν τις προϋποθέσεις της οδηγίας/του κανονισμού ΑΗΗΕ (2012/19/ΕΥ), και πρέπει να χρησιμοποιούνται σύμφωνα με την οδηγία/τον κανονισμό.

Το προϊόν φέρει το ακόλουθο σύμβολο:



Τα προϊόντα που φέρουν ένα σύμβολο διαγραμμένου κάδου απορριμμάτων και μια μόνο μαύρη ράβδο από κάτω, περιέχουν εξαρτήματα τα οποία πρέπει να χρησιμοποιηθούν σύμφωνα με την οδηγία/τον κανονισμό για τα ΑΗΗΕ. Το σύνολο του προϊόντος ή τα μέρη ΑΗΗΕ μπορούν να σταλούν στο "Κέντρο Εξυπηρέτησης Πελατών" για διαχείριση.

### Περιφερειακές απαιτήσεις

#### ⚠️ ΠΡΟΕΙΔΟΠΟΙΗΣΗ

Αυτό το προϊόν μπορεί να σας εκθέσει σε χημικές ουσίες, συμπεριλαμβανομένου του μόλυβδου, ο οποίος είναι γνωστός στην πολιτεία της Καλιφόρνιας ότι προκαλεί καρκίνο και γενετικές ανωμαλίες ή άλλη αναπαραγωγική βλάβη. Για περισσότερες πληροφορίες επισκεφθείτε την ιστοσελίδα

<https://www.p65warnings.ca.gov/>

### Πληροφορίες σχετικά με το Άρθρο 33 του κανονισμού REACH

Ο Ευρωπαϊκός Κανονισμός (ΕΕ) αριθ. 1907/2006 για την Καταχώριση, την Αξιολόγηση, την Αδειοδότηση και τους Περιορισμούς των Χημικών ουσιών (REACH) καθορίζει, μεταξύ άλλων, απαιτήσεις σχετικά με την επικοινωνία στην αλυσίδα εφοδιασμού. Η απαίτηση πληροφοριών ισχύει και για προϊόντα που περιέχουν τις λεγόμενες Άκρως Ανησυχαστικές Ουσίες («Κατάλογος Υποψηφίων»). Στις 27 Ιουνίου 2018 προστέθηκε στον Κατάλογο Υποψηφίων ο μεταλλικός μόλυβδος (CAS αριθ. 7439-92-1).

Σύμφωνα με τα ως άνω αναφερόμενα, αυτό σας ενημερώνει ότι ορισμένα ηλεκτρικά και μηχανικά εξαρτήματα του προϊόντος ενδέχεται να περιέχουν μεταλλικό μόλυβδο. Αυτό συμμορφώνεται με την ισχύουσα νομοθεσία περί περιορισμού ουσιών και βασίζεται σε νόμιμες εξαιρέσεις στην οδηγία RoHS (2011/65 / ΕΕ). Κατά τη διάρκεια της

κανονικής χρήσης, ο μεταλλικός μόλυβδος δεν θα διαρρεύσει ή θα μεταλλαχθεί από το προϊόν και η συγκέντρωση του μεταλλικού μόλυβδου στο πλήρες προϊόν είναι πολύ κάτω από το ισχύον όριο. Λάβετε υπόψη τις τοπικές απαιτήσεις σχετικά με τη διάθεση του μολύβδου στο τέλος του κύκλου ζωής του.

## Ασφάλεια

Μην απορρίπτετε - δώστε στο χρήστη

⚠️ **ΠΡΟΕΙΔΟΠΟΙΗΣΗ Διαβάστε όλες τις προειδοποιήσεις ασφαλείας, τις οδηγίες, τα γραφικά και τις προδιαγραφές που παρέχονται με αυτό το προϊόν.**

Σε περίπτωση που δεν ακολουθήσετε όλες τις παρακάτω οδηγίες ενδέχεται να προκληθεί ηλεκτροπληξία, πυρκαγιά, καταστροφή ιδιοκτησίας ή/ και σοβαρός τραυματισμός.

**Φυλάξτε όλες τις προειδοποιήσεις και τις οδηγίες για να ανατρέξετε μελλοντικά σε αυτές.**

⚠️ **ΠΡΟΕΙΔΟΠΟΙΗΣΗ Όλοι οι τοπικά θεσμοθετημένοι κανόνες ασφαλείας σχετικά με την εγκατάσταση, τη λειτουργία και τη συντήρηση, πρέπει να τηρούνται συνεχώς.**

### Δήλωση Χρήσης

- Αποκλειστικά για επαγγελματική χρήση.
- Αυτό το προϊόν και τα εξαρτήματά του δεν πρέπει να τροποποιηθούν με κανένα τρόπο.
- Μην χρησιμοποιείτε αυτό το προϊόν εάν έχει υποστεί ζημιά.
- Εάν τα δεδομένα του προϊόντος ή οι προειδοποιητικές ενδείξεις κινδύνου στο προϊόν παύσουν να είναι ευανάγνωστες ή αποσυνδεδεμένες, αντικαταστήστε χωρίς καθυστέρηση.
- Το προϊόν πρέπει να εγκαθίσταται, να λειτουργεί και να συντηρείται μόνο από πρόσωπα με τα κατάλληλα προσόντα σε βιομηχανικό περιβάλλον συναρμολόγησης.

### Προβλεπόμενη χρήση

Ο εντοπιστής έχει σχεδιαστεί για να είναι εγκατεστημένος σε Desoutter EABS ασύρματοι δρομείς περικοχλίων (βλ. τον παρακάτω κατάλογο). Δεν επιτρέπεται άλλη χρήση. Για επαγγελματική χρήση μόνο.

Μοντέλο	Αριθμός εξαρτήματος
EABS8-1500-4S	6151660870
EABS8-1500-4Q	6151660880
EABS12-1100-4S	6151660890
EABS12-1100-10S	6151660900
EABS12-1100-4Q	6151660910
EABS17-800-4S	6151660920
EABS17-800-10S	6151660930
EABS17-800-4Q	6151660940
EABS24-500-10S	6151660950

Μοντέλο	Αριθμός εξαρτήματος
EABS24-500-4Q	6151660960

Οι εντοπιστές επικοινωνούν με τις βάσεις παρακολούθησης οι οποίες είναι εγκατεστημένες σε σταθμούς εργασίας μέσω τεχνολογίας UWB (Ultra-Wide Band).

Μοντέλο	Αριθμός εξαρτήματος
Βάση παρακολούθησης	6158133350

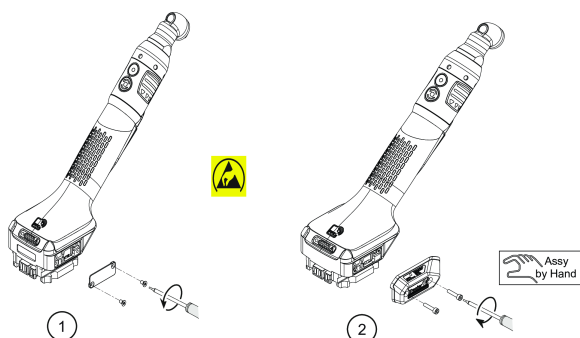
### Ειδικές οδηγίες προϊόντος

#### Ελάχιστες εκδόσεις υλικολογισμικού και λογισμικού

Προϊόν	Αποσυμπλέχτης
EABS	V 6.0.x
CONNECT	V 2.1.5.x
CVI CONFIG	V 2.3.4.x

#### Εγκατάσταση του εντοπιστή

Αφαιρέστε την μπαταρία πριν από τη συναρμολόγηση.



#### ΠΡΟΕΙΔΟΠΟΙΗΣΗ Κίνδυνος αντιστατικής εκκένωσης



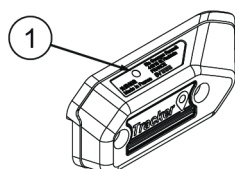
Υπάρχει κίνδυνος αντιστατικής εκκένωσης εάν δεν γειώσετε τον εαυτό σας.

- Φορέστε ένα αντιστατικό λουράκι καρπού.

1. Αφαιρέστε την πλάκα καλύψεως. Διατηρήστε το για μελλοντική χρήση, εάν απαιτείται.
2. Τοποθετήστε τον ανιχνευτή στη θέση του. Σφίξτε με το χέρι.

#### Πώς να ενεργοποιήσετε και να ενεργοποιήσετε τον εντοπιστή

Συνδέστε μια μπαταρία στο εργαλείο.



#### 1 Δείκτης

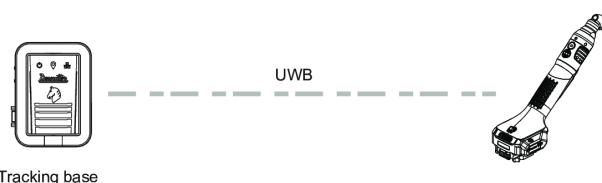
Η ένδειξη αναβοσβήνει 5 δευτερόλεπτα με πράσινο χρώμα κατά την εκκίνηση, υποδεικνύοντας ότι η παροχή ισχύος παρέχεται σωστά από το εργαλείο.

Εάν η ένδειξη αναβοσβήνει με κόκκινο χρώμα, σημαίνει ότι δεν έχει εγκατασταθεί υλικολογισμικό ή κατεστραμμένο υλικολογισμικό στον ιχνηλάτη.

Μεταβείτε στο CONNECT για να ενεργοποιήσετε τον ιχνηλάτη.

- ⓘ Ανατρέξτε στις Οδηγίες προϊόντος της βάσης παρακολούθησης (έντυπο αρ. 6159925540) που διατίθενται στη διεύθυνση <https://www.desouttertools.com/resource-centre>.

Στη συνέχεια, ο ιχνηλάτης θα επικοινωνήσει με την αποκλειστική βάση παρακολούθησης μέσω UWB.



Η διαδικασία αναβάθμισης υλικολογισμικού παρακολούθησης εξηγείται στο ακόλουθο έγγραφο:

- Ανατρέξτε στις Οδηγίες προϊόντος της βάσης παρακολούθησης (έντυπο αρ. 6159925540) που διατίθενται στη διεύθυνση <https://www.desouttertools.com/resource-centre>.
- Τύπος μοντέλου βάσης παρακολούθησης:

Μοντέλο τύπου βάσης παρακολούθησης	Ευρετήριο βασικού σειριακού αριθμού παρακολούθησης	Ημερομηνία παραγωγής
Μόνο CE	4900xxxxxxx έως 4903xxxxxxx Από το ευρετήριο = 0 έως 3	Πριν από το 2021
CE & FCC	4904xxxxxxx και μεταγενέστερο Από το ευρετήριο = 4	Μετά το 2021

Χρώμα φωτοδιόδου	Περιγραφή
σταθερό - πράσινο	Αποκαθίσταται η επικοινωνία με τη βάση παρακολούθησης.
σταθερό - κόκκινο	Η επικοινωνία με τη βάση παρακολούθησης δεν έχει αποκατασταθεί.
σταθερό - μπλε	Η βάση παρακολούθησης είναι αποσυνδεδεμένη ή δεν είναι ορατή από τον ιχνηλάτη.

## Safety Information

### Οδηγίες ασφαλείας

Διαβάστε τις πληροφορίες ασφαλείας 6159925210 που συνοδεύουν το εργαλείο ή διατίθενται στη διεύθυνση <https://www.desouttertools.com/resource-centre>.

### Χρήσιμες πληροφορίες

#### Διαδικτυακός τόπος

Πληροφορίες σχετικά με τα Προϊόντα, τα Εξαρτήματά, τα Ανταλλακτικά και τα Δημοσιευμένα θέματα μας βρίσκονται στον ιστότοπο Desoutter .

Παρακαλούμε επισκεφθείτε: [www.desouttertools.com](http://www.desouttertools.com).

#### Πληροφορίες για εγχειρίδια εγκατάστασης

Λεπτομερείς οδηγίες λειτουργίας, εγχειρίδια εγκατάστασης και αναβάθμισης διατίθενται στη διεύθυνση <https://www.desouttertools.com/resource-centre>.

#### Πληροφορίες για ανταλλακτικά

Οι ανεπτυγμένες προβολές και ο κατάλογος ανταλλακτικών είναι διαθέσιμα στο Service Link στη διεύθυνση [www.desouttertools.com](http://www.desouttertools.com).

#### Χώρα προέλευσης

France

#### Δελτία Δεδομένων Ασφαλείας MSDS/SDS

Τα δελτία δεδομένων ασφαλείας περιγράφουν τα χημικά προϊόντα που πωλούνται από την Desoutter.

Παρακαλούμε ανατρέξτε στον ιστότοπο Desoutter για περισσότερες πληροφορίες <https://www.desouttertools.com/legal/sds>.

#### Πνευματικά δικαιώματα

© Copyright 2022, Ets Georges Renault, 38 rue Bobby Sands, 44818 Saint Herblain, France

Με την επιφύλαξη παντός δικαιώματος. Απαγορεύεται κάθε μη εξουσιοδοτημένη χρήση ή αντιγραφή των περιεχομένων ή μέρους τους. Αυτό ισχύει ιδίως για τα εμπορικά σήματα, τις επωνυμίες μοντέλων, τους αριθμούς ανταλλακτικών και τα σχεδιαγράμματα. Χρησιμοποιείτε μόνο εγκεκριμένα ανταλλακτικά. Οποιαδήποτε ζημία ή δυσλειτουργία λόγω μη εγκεκριμένων ανταλλακτικών δεν καλύπτεται από την Εγγύηση ή την Ευθύνη για τα Προϊόντα.

## Tekniska data

### Tekniska data

#### Strömförsörjning

Drivs av verktyget (5 V)

### Effektförbrukning

2,5 W

### Vikt

0,02 kg  
0,044 lb

### Lagrings- och användningsförhållanden

Lagringstemperatur	-20 till +70 °C (-4 till +158 °F)
Drifttemperatur	0 till +45 °C (32 till +113 °F)
Lagringsfuktighet	0-95 % RH (icke-kondenserande)
Driftfuktighet	0-90 % RH (icke-kondenserande)
Altitud upp till	2000 m (6562 fot)
Användbar i en miljö med föroreningsgrad 2	
Endast inomhusbruk	

### Specifikationer för trådlös kommunikation

<b>Kanal</b>	<b>1</b>
Mittfrekvens (MHz)	3494.4
Frekvens [MHz] *	3244,8 – 3744
Bandbredd [MHz] *	499.2
Maxvärde på toppeffekt (dBm)	< 0
Auktoriserade länder **	USA

<b>Kanal</b>	<b>2 (standard)</b>
Mittfrekvens (MHz)	3993.6
Frekvens [MHz] *	3774 – 4243,2
Bandbredd [MHz] *	499.2
Maxvärde på toppeffekt (dBm)	< 0
Auktoriserade länder **	Europa, USA

<b>Kanal</b>	<b>3</b>
Mittfrekvens (MHz)	4492.8
Frekvens [MHz] *	4243,2 – 4742,4
Bandbredd [MHz] *	499.2
Maxvärde på toppeffekt (dBm)	< 0
Auktoriserade länder **	Europa, USA

<b>Kanal</b>	<b>4</b>
Mittfrekvens (MHz)	3993.6
Frekvens [MHz] *	3228 – 4659,2
Bandbredd [MHz] *	1331.2
Maxvärde på toppeffekt (dBm)	< 0



Auktoriserade länder **	Europa, USA
<b>Kanal</b>	<b>5</b>
Mittfrekvens (MHz)	6489.6
Frekvens [MHz] *	6240 – 6739,2
Bandbredd [MHz] *	499.2
Maxvärde på toppeffekt (dBm)	< 0
Auktoriserade länder **	Europa, USA
<b>Kanal</b>	<b>7</b>
Mittfrekvens (MHz)	6489.6
Frekvens [MHz] *	5980,3 – 6998,9
Bandbredd [MHz] *	1081.6
Maxvärde på toppeffekt (dBm)	< 0
Auktoriserade länder **	USA

\*: i enlighet med UWB IEEE802.15.4-2011

\*\* : observera att spåraren måste ställas in så att den uppfyller lokala bestämmelser före användning. Vissa kanaler kan vara lokalt förbjudna. Kontakta din Desoutter-återförsäljare för mer information.

Interferens mellan enheter som använder UWB-system (IEEE 802.14.5) kan inträffa. Vissa motåtgärder kan vidtas för att undvika eller minska sådan interferens, såsom:

- Minska den maximala radiotäckningen från spåringsbasen med CVI-monitorn.
- Öka avståndet mellan enheterna

## Deklarationer

### EU-FÖRSÄKRAN OM ÖVERENSSTÄMMELSE

Vi, **Ets Georges Renault**, 38 rue Bobby Sands, 44818 Saint Herblain, France, försäkrar under eget ansvar att produkten (med namn, typ och serienummer, se framsida) uppfyller följande direktiv:

**2011/65/EU, 2014/53/EU**

Tillämpade harmoniserade standarder:

**EN 62841-2-2:2014+C1:2016; EN 62311: 2008; EN 302 065-2 v2.1.1; EN 301 489-33 v2.2.1; EN 301 489-1 v2.2.3; EN 61000-6-2:2019**

Myndigheter kan begära relevant teknisk information från:

Pascal ROUSSY, R&D Manager, 38 rue Bobby Sands, 44818 Saint Herblain, France

**Saint Herblain, 2022/07/04**

**Pascal ROUSSY, R&D Manager**



### EU-typintyg

Det anmälda organet **EMITECH** med identifikationsnummer **0536** utförde bedömningen avseende uppfyllelse av teknisk dokumentation i enlighet med proceduren i annex III (modul B) i direktiv 2014/53/EU och utfärdade EU-typintyg **21-1037\_C**.

### WEEE

Information om **Kassering av elektrisk och elektronisk utrustning (Waste of Electrical and Electronic Equipment) (WEEE)**:

Denna produkt och dess information uppfyller kraven i WEEE-direktivet (2012/19/EU), och måste hanteras i enlighet med direktiv/förordningar.

Produkten är märkt med följande symbolen:



Produkter märkta med en överkryssad soptunna med hjul samt en svart linje nedanför innehåller delar som måste hanteras i enlighet med WEEE-direktiv/förordningar. Hela produkten, eller WEEE-delarna, kan skickas till ditt kundcenter för omhändertagande.

### Regionala krav

#### ⚠ VARNING

Denna produkt kan utsätta dig för kemikalier inklusive bly, som är känd för staten Kalifornien för att orsaka cancer och fosterskador och annan reproduktiv skada. För mer information gå in på

<https://www.p65warnings.ca.gov/>

### Information om Artikel 33 i REACH

EU-förordning (EG) nr. 1907/2006 om registrering, utvärdering, godkännande och begränsning av kemikalier (Reach) anger bland annat krav rörande kommunikation i leveranskedjan. Informationskraven gäller även för produkter som innehåller så kallade Särskilt farliga ämnen ("Kandidatförteckningen"). Den 27 juni 2018 blev blymetall (CAS-nr. 7439-92-1) tillagt i Kandidatförteckningen.

I enlighet med informationen ovan har detta meddelande som syfte att informera dig om att vissa elektriska och mekaniska komponenter i produkten kan innehålla blymetall. Detta är i enlighet med rådande begränsningslagstiftning för specifika ämnen och baseras på undantag i RoHS-förordningen (2011/65/EU). Blymetall kommer inte att läcka eller förändras från eller i produkten vid normal användning och koncentrationen blymetall i den färdiga produkten ligger långt under gällande gränsvärden. Kom ihåg att kontrollera lokala krav för bly när produkten ska avfallshanteras.

### Säkerhet

KASSERA EJ – GE TILL ANVÄNDAREN

## Safety Information

**⚠️ WARNING** Läs alla säkerhetsföreskrifter, instruktioner, illustrationer och specifikationer som medföljer produkten.

Om alla anvisningar nedan inte efterföljs finns risk för elchock, brand, svåra personskador och/eller skador på egendom.

Spara alla varningar och instruktioner för framtida bruk.

**⚠️ WARNING** Alla lokala säkerhetsföreskrifter avseende installation, drift och underhåll skall alltid åtföljas.

### Användningsintyg

- Endast för yrkesmässigt bruk.
- Denna produkt och medföljande tillbehör får inte modifieras på något sätt.
- Använd inte denna produkt om den har skadats.
- Om produktuppgifterna eller varningsskyltarna på produkten inte är läsliga eller lossnar ska de bytas omedelbart.
- Produkten får endast installeras, användas och servas av behöriga personer i en miljö för industriellt bruk.

### Avsedd användning

Spårningsenheten är konstruerad för installation på Desoutter EABS sladdlösa mutterdragare (se listan nedan). Ingen annan användning är tillåten. Endast för professionell användning.

Modell	Artikelnr
EABS8-1500-4S	6151660870
EABS8-1500-4Q	6151660880
EABS12-1100-4S	6151660890
EABS12-1100-10S	6151660900
EABS12-1100-4Q	6151660910
EABS17-800-4S	6151660920
EABS17-800-10S	6151660930
EABS17-800-4Q	6151660940
EABS24-500-10S	6151660950
EABS24-500-4Q	6151660960

Spårningsenheterna kommunicerar via spåringsbaser som installeras i arbetsstationer via UWB (Ultra-Wide Band).

Modell	Artikelnr
Spåringsbas	6158133350

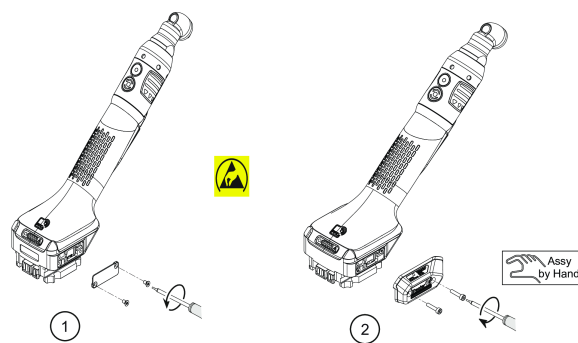
### Produktspecifika anvisningar

#### Minimikrav på firmware och program

Produkt	Version
EABS	V 6.0.x
CONNECT	V 2.1.5.x
CVI CONFIG	V 2.3.4.x

### Installera spårningsenheten

Avlägsna batteriet före monteringen.



**⚠️ WARNING** Risk för elektrostatisk urladdning



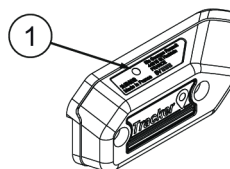
Det finns risk för antistatisk urladdning om du inte jordnar dig själv.

- Använd en antistatisk handledsrem.

1. Ta bort skyddsplåten.  
Ta vara på den om den behövs senare.
2. Sätt spårningsenheten på plats.  
Dra åt för hand.

### Starta och aktivera spårningsenheten

Anslut ett batteri till verktyget.



- 1 Indikator

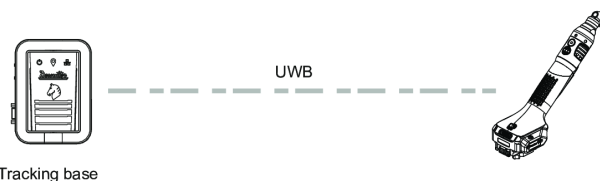
Indikatorn blinkar grönt i 5 sekunder under igångsättningen för att indikera att verktyget tillhandahåller rätt ström.

Om indikatorn blinkar rött, innebär det att felaktig eller ingen firmware har installerats på spåraren.

Gå till CONNECT för att aktivera spåraren.

- ⓘ Se produktinstruktionerna för spåringsbasen (trycksak nr 6159925540) som finns på <https://www.desouttertools.com/resource-centre>.

Spåraren kommer sedan att kommunicera med den dedikerade spåringsbasen via UWB.



Processen för uppgradering av spårarens firmware förklaras i följande dokument:

- Se produktinstruktionerna för spårningsbasen (trycksak nr 6159925540) som finns på <https://www.desouttertools.com/resource-centre>.
- Spårningbasmodellens typ:

Spårning-bastypens modell	Spårningsbas serienummerindex	Tillverkningsdatum
Endast CE	4900xxxxxxx till 4903xxxxxxx Från index = 0 till 3	Före 2021
CE & FCC	4904xxxxxxx och senare Från index = 4	Efter 2021

LED-färg	Beskrivning
grönt – fast sken	Kommunikationen med spårningsbasen har upprättats.
rött – fast sken	Kommunikationen med spårningsbasen har inte upprättats.
blått – fast sken	Spårningsbasen är fränkopplad eller syns inte från spåraren.

## Säkerhetsanvisningar

Läs säkerhetsinformationen i 6159925210 som medföljde verktyget. Den finns också på <https://www.desouttertools.com/resource-centre>.

## Användbar information

### Webbplats

Information om våra produkter, tillbehör, reservdelar och publicerade ärenden hittar du på webbplatsen för Desoutter  
Besök: [www.desouttertools.com](http://www.desouttertools.com).

### Information om installationshandböcker

Detaljerade anvisningar samt installations- och uppgraderingsanvisningar finns på <https://www.desouttertools.com/resource-centre>.

### Information om reservdelar

Sprängskisser och reservdelslistor finns på Service Link på [www.desouttertools.com](http://www.desouttertools.com).

### Ursprungsland

France

### Säkerhetsdatablad MSDS/SDS

Säkerhetsdatabladerna beskriver de kemiska produkter som säljs av Desoutter.

Besök Desoutters webbplats för mer information <https://www.desouttertools.com/legal/sds>.

## Copyright

© Copyright 2022, Ets Georges Renault, 38 rue Bobby Sands, 44818 Saint Herblain, France

Med ensamrätt. All obehörig användning eller kopiering av innehållet eller del därav är förbjuden. Detta gäller särskilt varumärken, modellbeteckningar, artikelnummer och ritningar. Använd bara godkända delar. Skador eller fel som orsakas genom användning av icke godkända delar täcks inte av garanti eller företagets produktansvar.

## Технические данные

### Технические характеристики

#### Источник питания

Питание от инструмента (5 В)

#### Энергопотребление

2,5 Вт

#### Масса

0,02 кг

0,044 фунта

### Условия хранения и эксплуатации

Температура хранения	От -20 до +70 °C (от -4 до +158 F)
Рабочая температура	От 0 до 45 °C (от 32 до 113 F)
Влажность при хранении	0–95 % относительной влажности (без образования конденсата)
Рабочая влажность	0–90 % относительной влажности (без образования конденсата)
Высота до	2000 м (6562 футов)
Можно эксплуатировать при степени загрязнения 2 окружающей среды	
Эксплуатировать только в помещениях	

### Спецификации беспроводного соединения

Канал	1
Центральная частота (МГц)	3494,4
Частота (МГц)*	3244,8 – 3744
Диапазон частот (МГц)*	499,2
Макс. значение пиковой мощности (дБм)	< 0
Авторизованные страны **	США

## Safety Information

<b>Канал</b>	<b>2 (по умолчанию)</b>
Центральная частота (МГц)	3993,6
Частота (МГц)*	3774 – 4243,2
Диапазон частот (МГц)*	499,2
Макс. значение пиковой мощности (дБм)	< 0
Авторизованные страны **	Европа, США

<b>Канал</b>	<b>3</b>
Центральная частота (МГц)	4492,8
Частота (МГц)*	4243,2 – 4742,4
Диапазон частот (МГц)*	499,2
Макс. значение пиковой мощности (дБм)	< 0
Авторизованные страны **	Европа, США

<b>Канал</b>	<b>4</b>
Центральная частота (МГц)	3993,6
Частота (МГц)*	3228 – 4659,2
Диапазон частот (МГц)*	1331,2
Макс. значение пиковой мощности (дБм)	< 0
Авторизованные страны **	Европа, США

<b>Канал</b>	<b>5</b>
Центральная частота (МГц)	6489,6
Частота (МГц)*	6240 – 6739,2
Диапазон частот (МГц)*	499,2
Макс. значение пиковой мощности (дБм)	< 0
Авторизованные страны **	Европа, США

<b>Канал</b>	<b>7</b>
Центральная частота (МГц)	6489,6
Частота (МГц)*	5980,3 – 6998,9
Диапазон частот (МГц)*	1081,6
Макс. значение пиковой мощности (дБм)	< 0
Авторизованные страны **	США

\*: В соответствии с UWB IEEE802.15.4-2011

\*\* Перед использованием обратите внимание, что трекер должен быть настроен в соответствии с местными требованиями. Некоторые каналы могут быть запрещены на местном уровне. Для получения дополнительной информации по заказу обращайтесь к представителю Desoutter.

Между устройствами, использующими систему сверхширокополосной радиосвязи (UWB) (IEEE 802.14.5), могут возникать радиопомехи. Для того, чтобы избежать этих радиопомех, можно применять следующие меры.

- Уменьшение макс. дальности действия радиосвязи от базы трекинга с монитором CVI.
- Увеличение расстояния между устройствами.

## Декларации

### ДЕКЛАРАЦИЯ О СООТВЕТСТВИИ ЕС

Компания **Ets Georges Renault**, 38 rue Bobby Sands, 44818 Saint Herblain, France, с полной ответственностью заявляет, что данное изделие (наименование, тип и серийный номер которого указаны на титульном листе) соответствует положениям следующих директив:

**2011/65/EU, 2014/53/EU**

Были применены следующие согласованные стандарты: **EN 62841-2-2:2014+C1:2016; EN 62311: 2008; EN 302 065-2 v2.1.1; EN 301 489-33 v2.2.1; EN 301 489-1 v2.2.3; EN 61000-6-2:2019**

Официальные органы могут запросить соответствующую техническую информацию у следующих лиц:  
Pascal ROUSSY, R&D Manager, 38 rue Bobby Sands, 44818 Saint Herblain, France

**Saint Herblain, 2022/07/04**

**Pascal ROUSSY, R&D Manager**

**Сертификат ЕС о проверке**

Нотифицированный орган **EMITECH** с идентификационным номером **0536** выполнил оценку соответствия технической документации согласно процедуре, изложенной в Приложении III (Модуль B) Директивы 2014/53/EU, и выдал сертификат ЕС о проверке № **21-I037\_C**.

### Директива WEEE

Информация, касающаяся **Директивы об отходах электрического и электронного оборудования (WEEE)**:

Данное изделие и информация о нем отвечают требованиям Директивы/нормам WEEE (2012/19/EU), и оно должно утилизироваться в соответствии с директивой/нормами.

На изделии имеется маркировка в виде следующего значка:



Изделия, маркированные символом перечеркнутого передвижного мусорного контейнера и одинарной черной линии под ним, содержат части, которые должны утилизироваться в соответствии с Директивой/нормами WEEE. Изделие целиком или его детали, на которые распространяется действие Директивы WEEE, можно отправить на утилизацию в местный центр обслуживания клиентов.

## Региональные требования

### **⚠ ПРЕДУПРЕЖДЕНИЕ**

В процессе использования данного продукта существует опасность подвергнуться воздействию химических веществ, в частности, свинца, который, согласно данным, имеющимся в штате Калифорния, вызывает раковые заболевания, врожденные дефекты развития или другие патологии репродуктивной системы. Более подробная информация представлена на веб-сайте

<https://www.p65warnings.ca.gov/>

## Информация относительно статьи 33 в REACH

Регламент Европейского союза (ЕС) № 1907/2006, регулирующий регистрацию, экспертизу, лицензирование и оборот химических средств (REACH), определяет, помимо прочего, требования к коммуникации в цепочке поставок. Информационные требования распространяются также на продукты, которые содержат так называемые особо опасные вещества (перечень веществ-кандидатов). 27 июня 2018 года металлический свинец (CAS номер 7439-92-1) был внесен в перечень веществ-кандидатов.

В связи с вышеизложенным настоящим ставим вас в известность, что некоторые электрические и механические компоненты продукта могут содержать металлический свинец. Это соответствует действующему законодательству в отношении ограничения использования веществ и основано на законных исключениях, указанных в Директиве ЕС по ограничению использования опасных веществ RoHS (2011/65/EU). Металлический свинец не дает утечек или не видоизменяется в продукте во время нормальной эксплуатации, и концентрация металлического свинца в готовом продукте намного ниже применимого порогового значения. Необходимо учитывать местные требования к утилизации свинца после окончания срока службы продукта.

## Безопасность

НЕ ВЫБРАСЫВАТЬ — ПЕРЕДАТЬ ПОЛЬЗОВАТЕЛЮ

### **⚠ ПРЕДУПРЕЖДЕНИЕ** Ознакомьтесь со всеми предупреждениями по безопасной работе, инструкциями, иллюстрациями и спецификациями, которые поставляются вместе с данным изделием.

Несоблюдение приведенных ниже инструкций может привести к поражению электрическим током, пожару, материальному ущербу и/или серьезной травме.

Сохраните все предупреждения и инструкции для справки на будущее.

### **⚠ ПРЕДУПРЕЖДЕНИЕ** Необходимо неукоснительно соблюдать все местные законодательно закрепленные правила техники безопасности, касающиеся установки, эксплуатации и техобслуживания.

## Предписание по использованию

- Только для профессионального использования.
- Запрещается модифицировать данное изделие и его принадлежности каким-либо образом.
- В случае повреждения данного изделия его использование запрещено.
- Если этикетка с информацией об изделии или с предупредительными знаками на корпусе изделия стала неразборчивой или отклеилась, без промедления замените ее.
- Данное устройство должно устанавливаться, эксплуатироваться и обслуживаться только квалифицированным персоналом в промышленных условиях.

## Предусмотренное применение

Устройство слежения предназначено для установки на беспроводных гайковертах Desoutter EABS (см. список ниже). Запрещается использовать в других целях. Только для профессионального использования.

Модель	Номер детали
EABS8-1500-4S	6151660870
EABS8-1500-4Q	6151660880
EABS12-1100-4S	6151660890
EABS12-1100-10S	6151660900
EABS12-1100-4Q	6151660910
EABS17-800-4S	6151660920
EABS17-800-10S	6151660930
EABS17-800-4Q	6151660940
EABS24-500-10S	6151660950
EABS24-500-4Q	6151660960

Устройство слежения подключается к базам слежения, установленным на рабочих станциях, посредством технологии сверхширокополосной связи (UWB).

Модель	Номер детали
База слежения	6158133350

## Особые инструкции по устройству

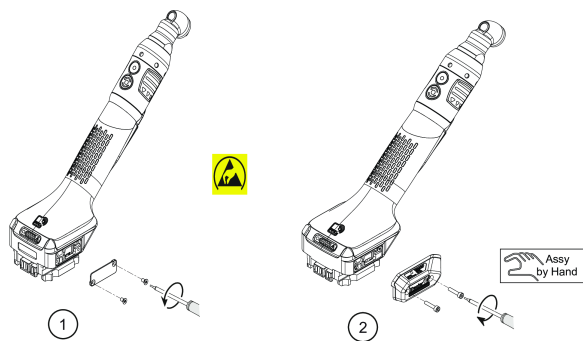
### Минимальные версии встроенной программы и программного обеспечения

Продукт	Версия
EABS	V 6.0.x
CONNECT	V 2.1.5.x
CVI CONFIG	V 2.3.4.x

## Safety Information

### Установка устройства слежения

Извлеките аккумуляторный блок перед сборкой.



#### ⚠ ПРЕДУПРЕЖДЕНИЕ Риск антистатического разряда



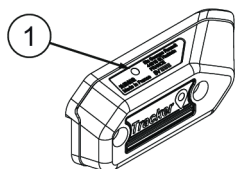
Существует риск антистатического разряда в случае отсутствия у вас заземления.

- Необходимо носить антистатический браслет.

1. Снимите крышку.  
Сохраните ее для последующего использования, если необходимо.
2. Установите устройство слежения.  
Затяните вручную.

### Как подключить питание и включить устройство слежения

Подключите аккумуляторный блок к инструменту.



- 1 Индикатор

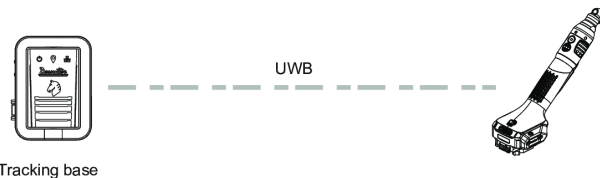
Если индикатор мигает 5 секунд зеленым светом во время запуска, это означает, что инструмент правильно подает питание.

Если индикатор мигает красным, это означает, что микропрограмма трекера не установлена или повреждена.

Перейти к CONNECT, чтобы включить трекер.

- ⓘ См. инструкцию по изделию базы трекинга (номер печатного издания 6159925540) на сайте <https://www.desouttertools.com/resource-centre>.

Затем трекер свяжется с выделенной базой трекинга с помощью сверхширокополосной радиосвязи (UWB).



Процесс обновления микропрограммы трекера описывается в следующем документе:

- См. инструкцию по изделию базы трекинга (номер печатного издания 6159925540) на сайте <https://www.desouttertools.com/resource-centre>.
- Тип модели базы трекинга:

Типовая модель базы трекинга	Индекс серийного номера базы трекинга	Дата производства
Только с сертификатом CE	4900xxxxxxx до 4903xxxxxxx От индекса = 0 до 3	До 2021
CE и FCC	4904xxxxxxx и более поздние От индекса = 4	После 2021

Цвет светодиодного индикатора	Описание
Зеленый, ровный	Связь с базой трекинга установлена.
Красный, ровный	Связь с базой трекинга не установлена.
Синий, ровный	База трекинга отключена или не видна с трекера.

### Инструкции по технике безопасности

Ознакомьтесь с инструкциями по технике безопасности под номером 6159925210, прилагаемыми к инструменту или представленными на веб-сайте <https://www.desouttertools.com/resource-centre>.

### Полезные сведения

#### Веб-сайт

На веб-сайте Desoutter представлена информация о наших изделиях, принадлежностях, запасных частях, а также печатные материалы.

Посетите: [www.desouttertools.com](http://www.desouttertools.com).

#### Информация о руководствах по установке

Подробные инструкции по эксплуатации, руководства по монтажу и обновлению см. на сайте <https://www.desouttertools.com/resource-centre>.

## Информация о запасных частях

Трехмерные представления деталей и перечни запасных частей можно найти в разделе «Service Link» на сайте [www.desouttertools.com](http://www.desouttertools.com).

## Страна происхождения

France

## Паспорта безопасности (MSDS / SDS)

В паспортах безопасности продукции описаны химические продукты, поставляемые компанией Desoutter.

Посетите веб-сайт компании Desoutter, чтобы ознакомиться с более подробной информацией <https://www.desouttertools.com/legal/sds>.

## Авторское право

© Авторское право, 2022, Ets Georges Renault, 38 rue Bobby Sands, 44818 Saint Herblain, France

Все права защищены. Любое несанкционированное использование или копирование содержимого настоящего документа или его части запрещено. В частности, это относится к товарным знакам, названиям моделей, номерам деталей и чертежам. Используйте только разрешенные запасные части. Любые повреждения или неисправности, возникшие в результате использования неразрешенных запасных частей, не попадают под действие гарантии и ответственности производителя за продукцию.

## Dane techniczne

### Dane techniczne

#### Zasilanie

Zasilanie z narzędzia (5 V)

#### Pobór mocy

2,5 W

#### Masa

0,02 kg  
0,044 lb

#### Warunki przechowywania i eksploatacji

Temperatura przechowywania	Od -20 do 70°C (od -4 do 158°F)
Temperatura robocza	od 0 do 45 °C (od 32 do 113°F)
Wilgotność otoczenia przechowywania	0-95 % rH (bez kondensacji)
Wilgotność otoczenia pracy	0-90 % rH (bez kondensacji)
Maksymalna wysokość n.p.m.	2000 m (6562 stóp)

Nadaje się do eksploatacji w środowisku o 2. stopniu zanieczyszczenia  
Wyłącznie do użytku wewnętrznego

## Specyfikacja komunikacji bezprzewodowej

Kanał	1
Częstotliwość środkowa (MHz)	3494.4
Częstotliwość (MHz) *	3244,8 – 3744
Szerokość pasma (MHz) *	499.2
Maks. wartość mocy szczytowej (dBm)	< 0
Autoryzowane kraje **	USA
Kanał	2 (default)
Częstotliwość środkowa (MHz)	3993.6
Częstotliwość (MHz) *	3774 – 4243,2
Szerokość pasma (MHz) *	499.2
Maks. wartość mocy szczytowej (dBm)	< 0
Autoryzowane kraje **	Europa, USA
Kanał	3
Częstotliwość środkowa (MHz)	4492.8
Częstotliwość (MHz) *	4243,2 – 4742,4
Szerokość pasma (MHz) *	499.2
Maks. wartość mocy szczytowej (dBm)	< 0
Autoryzowane kraje **	Europa, USA
Kanał	4
Częstotliwość środkowa (MHz)	3993.6
Częstotliwość (MHz) *	3228 – 4659,2
Szerokość pasma (MHz) *	1331.2
Maks. wartość mocy szczytowej (dBm)	< 0
Autoryzowane kraje **	Europa, USA
Kanał	5
Częstotliwość środkowa (MHz)	6489.6
Częstotliwość (MHz) *	6240 – 6739,2
Szerokość pasma (MHz) *	499.2
Maks. wartość mocy szczytowej (dBm)	< 0
Autoryzowane kraje **	Europa, USA

## Safety Information

<b>Kanał</b>	7
Częstotliwość środkowa (MHz)	6489.6
Częstotliwość (MHz) *	5980,3 – 6998,9
Szerokość pasma (MHz) *	1081.6
Maks. wartość mocy szczytowej (dBm)	< 0
Autoryzowane kraje **	USA

\*: zgodnie z normą UWB IEEE802.15.4-2011

\*\* : przed użyciem należy pamiętać, że urządzenie śledzące musi zostać skonfigurowane zgodnie z lokalnymi przepisami. Używanie niektórych kanałów może być lokalnie zabronione. W celu uzyskania dodatkowych informacji należy skontaktować się z lokalnym przedstawicielem firmy Desoutter.

Mogą wystąpić zakłócenia między urządzeniami korzystającymi z systemu UWB (IEEE 802.14.5). Aby uniknąć lub zmniejszyć te zakłócenia, można zastosować pewne środki zaradcze, takie jak

- Zmniejszenie maksymalnego zasięgu radiowego z bazy śledzącej z monitorem CVI.
- Zwiększenie odległości między urządzeniami.

## Deklaracje

### DEKLARACJA ZGODNOŚCI UE

Firma **Ets Georges Renault**, 38 rue Bobby Sands, 44818 Saint Herblain, France oświadcza na swoją wyłączną odpowiedzialność, że produkt (którego nazwę, typ i numer seryjny podano na stronie tytułowej) jest zgodny z postanowieniami następujących dyrektyw:

**2011/65/EU, 2014/53/EU**

Obowiązujące normy zharmonizowane:

**EN 62841-2-2:2014+C1:2016; EN 62311: 2008; EN 302 065-2 v2.1.1; EN 301 489-33 v2.2.1; EN 301 489-1 v2.2.3; EN 61000-6-2:2019**

Władze mogą zażądać istotnych informacji technicznych od:

Pascal ROUSSY, R&D Manager, 38 rue Bobby Sands, 44818 Saint Herblain, France

Saint Herblain, 2022/07/04

Pascal ROUSSY, R&D Manager

**Badanie typu UE**

Jednostka notyfikowana **EMITECH** o numerze identyfikacyjnym **0536** dokonała oceny zgodności dokumentacji technicznej zgodnie z procedurą określoną w załączniku III (moduł B) dyrektywy 2014/53/UE i wydała certyfikat badania typu UE nr **21-I037\_C**.

### Dyrektywa WEEE

Informacje dotyczące dyrektywy w sprawie **utylicacji zużytego sprzętu elektrycznego i elektronicznego (WEEE)**:

Niniejszy produkt wraz z dotyczącymi go informacjami spełnia wymagania dyrektywy /rozporządzeń WEEE (2012/19/EU) i musi być utylizowany zgodnie z tą dyrektywą/tymi rozporządzeniami.

Produkt jest oznaczony następującym symbolem:



Produkty oznaczane symbolem przekreślonego pojemnika na odpady na kółkach oraz jednym czarnym paskiem pod spodem zawierają części, z którymi należy postępować zgodnie z dyrektywą/rozporządzeniami WEEE. Cały produkt lub części oznaczone symbolem „WEEE” można przesłać do lokalnego Centrum Obsługi Klienta w celu utylizacji.

## Wymagania regionalne

### ⚠ OSTRZEŻENIE

Ten produkt może narazić użytkownika na kontakt z chemikaliami, między innymi ołowiem, który wg władz stanu Kalifornia powoduje raka, wady wrodzone i upośledzenie płodności. Więcej informacji podano w witrynie

<https://www.p65warnings.ca.gov/>

## Informacje dotyczące artykułu 33 rozporządzenia REACH

Rozporządzenie Unii Europejskiej (UE) nr 1907/2006 w sprawie rejestracji, oceny, udzielania zezwoleń i stosowanych ograniczeń w zakresie chemikaliów (REACH) definiuje między innymi wymagania dotyczące komunikacji w łańcuchu dostaw. Wymóg informacyjny ma zastosowanie do produktów zawierających tak zwane substancje stanowiące bardzo duże zagrożenie (lista kandydacka). 27 czerwca 2018 do listy kandydackiej dodano ołów (CAS nr 7439-92-1).

W związku z powyższym niniejszy dokument służy poinformowaniu, że niektóre podzespoły elektryczne i mechaniczne produktu mogą zawierać ołów. Jest zgodny z obowiązującymi przepisami dotyczącymi substancji zakazanych i został opracowany w oparciu o zatwierdzone wyłączenia w dyrektywie RoHS (2011/65/UE). Ołów nie będzie wyciekał z produktu ani zmieniał formy podczas normalnej eksploatacji i jego stężenie w całym produkcie jest znacznie niższe niż obowiązująca wartość graniczna. Należy przestrzegać lokalnych wymagań dotyczących utylizacji ołowiu po upływie okresu eksploatacji produktu.

## Bezpieczeństwo

Nie wyrzucać — przekazać użytkownikowi



**⚠ OSTRZEŻENIE** Należy przeczytać wszystkie ostrzeżenia dotyczące bezpieczeństwa oraz zapoznać się ze wszystkimi instrukcjami, ilustracjami i specyfikacjami dostarczonymi z produktem.

Nieprzestrzeganie wszystkich zamieszczonych poniżej instrukcji może doprowadzić do szkody materialnej, porażenia prądem elektrycznym, pożaru i/lub poważnych obrażeń.

Wszystkie ostrzeżenia i instrukcje należy zachować do wykorzystania w przyszłości.

**⚠ OSTRZEŻENIE** Należy zawsze przestrzegać wszystkich lokalnych przepisów dotyczących instalacji, obsługi i konserwacji.

### Oświadczenie o przeznaczeniu

- Wyłącznie do użytku profesjonalnego.
- Nie wolno w żaden sposób modyfikować produktu ani jego akcesoriów.
- Nie należy użytkować uszkodzonego produktu.
- Jeśli umieszczone na produkcie etykiety zawierające dane produktu lub ostrzegające przed niebezpieczeństwem przestaną być czytelne lub odpadną, należy je niezwłocznie wymienić.
- Produkt musi być instalowany, obsługiwany i serwisowany wyłącznie przez wykwalifikowaną osobę w warunkach przemysłowych.

### Przeznaczenie

Urządzenie śledzące jest przeznaczone do montażu w kluczach akumulatorowych do nakrętek Desoutter EABS (patrz lista poniżej). Inne zastosowania są niedozwolone. Tylko do zastosowań profesjonalnych.

Model	Numer części
EABS8-1500-4S	6151660870
EABS8-1500-4Q	6151660880
EABS12-1100-4S	6151660890
EABS12-1100-10S	6151660900
EABS12-1100-4Q	6151660910
EABS17-800-4S	6151660920
EABS17-800-10S	6151660930
EABS17-800-4Q	6151660940
EABS24-500-10S	6151660950
EABS24-500-4Q	6151660960

Urządzenia śledzące komunikują się z zamontowanymi w stanowiskach roboczych bazami śledzącymi za pośrednictwem technologii UWB (Ultra-Wide Band).

Model	Numer części
Baza śledząca	6158133350

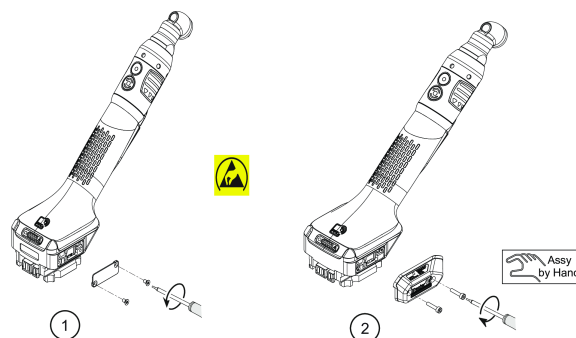
### Instrukcje dotyczące produktu

#### Minimalne wersje oprogramowania, w tym oprogramowania układowego

Produkt	Wersja
EABS	V 6.0.x
CONNECT	V 2.1.5.x
CVI CONFIG	V 2.3.4.x

### Montaż urządzenia śledzącego

Przed montażem należy wyjąć akumulator.



**⚠ OSTRZEŻENIE** Ryzyko wyładowania statycznego



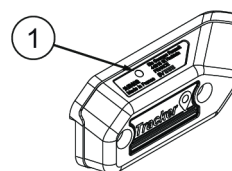
W przypadku nieuziemia operatora istnieje ryzyko wyładowania statycznego.

- Należy używać opaski antystatycznej na nadgarstek.

1. Zdjąć pokrywę.  
W razie potrzeby należy ją zachować do późniejszego zastosowania.
2. Umieścić urządzenie śledzące na miejscu.  
Dokręcić ręcznie.

### Jak włączać i uaktywniać urządzenie śledzące

Podłącz pakiet akumulatorów do narzędzia.



- 1 Wskaźnik

Podczas uruchamiania wskaźnik miga przez 5 sekund na zielono, sygnalizując, że narzędzie prawidłowo dostarcza zasilanie.

Jeżeli wskaźnik miga na czerwono, oznacza to, że w urządzeniu śledzącym nie zainstalowano oprogramowania sprzętowego lub zainstalowano uszkodzone oprogramowanie sprzętowe.

Przejdź do CONNECT, aby włączyć urządzenie śledzące.

## Safety Information

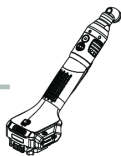
- ⓘ Patrz instrukcja produktu bazy śledzącej (nr wydruku 6159925540) dostępna na stronie <https://www.desouttertools.com/resource-centre>.

Następnie urządzenie śledzące połączy się z dedykowaną bazą śledzącą za pomocą UWB.



Tracking base

UWB



Proces aktualizacji oprogramowania sprzętowego urządzenia śledzącego został opisany w poniższym dokumencie:

- Patrz instrukcja produktu bazy śledzącej (nr wydruku 6159925540) dostępna na stronie <https://www.desouttertools.com/resource-centre>.
- Typ modelu bazy śledzącej:

Typ modelu bazy śledzącej	Indeks numeru seryjnego bazy śledzącej	Data produkcji
Tylko CE	4900xxxxxxx do 4903xxxxxxxOd indeksu = 0 do 3	Przed 2021 r.
CE i FCC	4904xxxxxxx i kolejne Od indeksu = 4	Po 2021 r.

Kolor diody LED	Opis
Kolor zielony - stały	Łączność z bazą śledzącą została nawiązana.
Kolor czerwony - stały	Łączność z bazą śledzącą nie została nawiązana.
Kolor niebieski - stały	Baza śledząca jest odłączona lub niewidoczna dla urządzenia śledzącego.

### Instrukcje bezpieczeństwa

Należy zapoznać się z informacjami dotyczącymi bezpieczeństwa, o numerze referencyjnym 6159925210, dostarczonymi wraz z narzędziem oraz dostępnymi na stronie internetowej <https://www.desouttertools.com/resource-centre>.

## Przydatne informacje

### Strona internetowa

Informacje o naszych produktach, akcesoriach, częściach zamiennych i publikacjach można odnaleźć na stronie Desoutter.

Zapraszamy do odwiedzenia: [www.desouttertools.com](http://www.desouttertools.com).

### Informacje o podręcznikach instalacji

Szczegółowe instrukcje obsługi, instalacji i modyfikacji są dostępne na stronie <https://www.desouttertools.com/resource-centre>.

### Informacje o częściach zamiennych

Rysunki złożeniowe i lista części zamiennych są dostępne w dziale „Service Link” na stronie [www.desouttertools.com](http://www.desouttertools.com).

### Kraj pochodzenia

France

### Karty charakterystyki substancji niebezpiecznych MSDS/SDS

Karty charakterystyki materiałów opisują produkty chemiczne sprzedawane przez firmę Desoutter.

Więcej informacji zamieszczono na stronie internetowej Desoutter pod adresem <https://www.desouttertools.com/legal/sds>.

### Prawa autorskie

© Copyright 2022, Ets Georges Renault, 38 rue Bobby Sands, 44818 Saint Herblain, France

Wszelkie prawa zastrzeżone. Wszelkie nieuprawnione użytkowanie lub kopiowanie zawartości niniejszego dokumentu bądź jego części jest zabronione. Dotyczy to w szczególności znaków towarowych, oznaczeń modeli, numerów części oraz rysunków. Używać wyłącznie zatwierdzonych części zamiennych. Wszelkie uszkodzenia lub wadliwe działanie spowodowane używaniem niezatwierdzonych części zamiennych nie są objęte gwarancją ani odpowiedzialnością z tytułu rękojmi za wady produktu.

## Technické údaje

### Technické údaje

#### Napájanie

Napájaný nástrojom (5 V)

#### Spotreba energie

2,5 W

#### Hmotnosť

0,02 kg  
0.044 lb

#### Podmienky skladovania a používania

Skladovacia teplota	-20 až +70 °C (-4 až +158 F)
Prevádzková teplota	0 až 45 °C (32 až 113 F)
Skladovacia vlhkosť	0 – 95 % rel. vlhkosť (nekondujúca)

Prevádzková vlhkosť	0 – 90 % rel. vlhkosť (nekon- denzujúca)
Nadmorská výška až do	2000 m (6562 stôp)
Použiteľné v prostredí so stupňom znečistenia 2	
Len na použitie v interiéri	

Frekvencia (Hz) *	5980,3 – 6998,9
Šírka pásma (MHz) *	1081,6
Max. hodnota špičkového výkonu (dBm)	< 0
Autorizované krajiny **	USA

## Špecifikácie bezdrôtovej komunikácie

<b>Kanál</b>	<b>1</b>
Stredná frekvencia (MHz)	3494,4
Frekvencia (Hz) *	3244,8 – 3744
Šírka pásma (MHz) *	499,2
Max. hodnota špičkového výkonu (dBm)	< 0
Autorizované krajiny **	USA

<b>Kanál</b>	<b>2 (predvolený)</b>
Stredná frekvencia (MHz)	3993,6
Frekvencia (Hz) *	3774 – 4243,2
Šírka pásma (MHz) *	499,2
Max. hodnota špičkového výkonu (dBm)	< 0
Autorizované krajiny **	Európa, USA

<b>Kanál</b>	<b>3</b>
Stredná frekvencia (MHz)	4492,8
Frekvencia (Hz) *	4243,2 – 4742,4
Šírka pásma (MHz) *	499,2
Max. hodnota špičkového výkonu (dBm)	< 0
Autorizované krajiny **	Európa, USA

<b>Kanál</b>	<b>4</b>
Stredná frekvencia (MHz)	3993,6
Frekvencia (Hz) *	3228 – 4659,2
Šírka pásma (MHz) *	1331,2
Max. hodnota špičkového výkonu (dBm)	< 0
Autorizované krajiny **	Európa, USA

<b>Kanál</b>	<b>5</b>
Stredná frekvencia (MHz)	6489,6
Frekvencia (Hz) *	6240 – 6739,2
Šírka pásma (MHz) *	499,2
Max. hodnota špičkového výkonu (dBm)	< 0
Autorizované krajiny **	Európa, USA

<b>Kanál</b>	<b>7</b>
Stredná frekvencia (MHz)	6489,6

\*: podľa UWB IEEE802.15.4-2011

\*\* : pred použitím, upozorňujeme, že sledovacie zariadenie sa musí nastaviť tak, aby vyhovovalo miestnym nariadeniam. Niektoré kanály môžu byť lokálne zakázané. Pre viac informácií kontaktujte vášho zástupcu spoločnosti Desoutter.

Medzi zariadeniami, ktoré používajú systém UWB (IEEE 802.14.5), môže dôjsť k rušeniam. Na zabránenie alebo zníženie týchto rušení sa môžu použiť niektoré zmierňujúce opatrenia, ako napríklad:

- Znížte max. rádiové pokrytie zo sledovacej základne s monitorom CVI
- Zvýšte vzdialenosť medzi zariadeniami

## Vyhľadania

### EÚ VYHLÁSENIE O ZHODE

My, **Ets Georges Renault**, 38 rue Bobby Sands, 44818 Saint Herblain, France, vyhlasujeme na našu výhradnú zodpovednosť, že výrobok (s názvom, typovým a výrobným číslom, pozri prednú stranu), je v zhode s nasledovnou(ými) smernicou(ami):

**2011/65/EU, 2014/53/EU**

Uplatnené harmonizované normy:

**EN 62841-2-2:2014+C1:2016; EN 62311: 2008; EN 302 065-2 v2.1.1; EN 301 489-33 v2.2.1; EN 301 489-1 v2.2.3; EN 61000-6-2:2019**

Orgány si môžu vyžiadať príslušné technické informácie od:

Pascal ROUSSY, R&D Manager, 38 rue Bobby Sands, 44818 Saint Herblain, France

**Saint Herblain, 2022/07/04**

**Pascal ROUSSY, R&D Manager**



### EÚ skúška typu

Notifikovaná osoba **EMITECH** s identifikačným číslom **0536** vykonala posudzovanie zhody technickej dokumentácie podľa postupu v prílohe III (modul B) smernice 2014/53/EÚ a vydala certifikát EÚ skúšky typu **21-1037\_C**.

### WEEE

Informácie týkajúce sa **odpadu z elektrických a elektronických zariadení (WEEE)**:

Tento výrobok a informácie o ňom spĺňajú požiadavky smernice/nariadenia o odpade z elektrických a elektronických zariadení WEEE (2012/19/EU) a musíte s nimi manipulovať v súlade s touto smernicou/nariadeniami.

Tento výrobok je označený nasledujúcim symbolom:



výrobky označené symbolom prečiarknutého odpadkového koša so samostatným čiernym pruhom pod košom obsahujú diely, s ktorými sa musí manipulovať v súlade so smernicou/nariadeniami WEEE. Celý výrobok, resp. diely WEEE, môžu byť odoslané do vášho „zákazníckeho strediska“ na manipuláciu.

### Regionálne požiadavky

#### VAROVANIE

Pri používaní tohto výrobku môžete byť vystavení chemikáliám vrátane olova, o ktorom je v štáte Kalifornia známe, že spôsobuje rakovinu a vrodené chyby alebo iné reprodukčné poruchy. Pre viac informácií prejdite na

<https://www.p65warnings.ca.gov/>

### Informácie týkajúce sa článku 33 v nariadení REACH

Európske nariadenie (EÚ) č. 1907/2006 o registrácii, hodnotení, autorizácii a obmedzovaní chemických látok (REACH) definuje, okrem iného, požiadavky súvisiace s komunikáciou v dodávateľskom reťazci. Požiadavka na informácie sa vzťahuje aj na výrobky obsahujúce tzv. látky vzbudzujúce veľmi veľké obavy („zoznam kandidátskych látok“) 27. júna 2018 bolo do zoznamu kandidátskych látok pridané kovové olovo (č. CAS 7439-92-1).

V súlade s vyššie uvedeným vás to má informovať, že určité elektrické a mechanické komponenty vo výrobku môžu obsahovať kovové olovo. Je to v zhode s aktuálnymi právnymi predpismi o obmedzovaní látok a na základe zákonných výnimiek v smernici RoHS (2011/65/EÚ). Počas normálneho používania nedôjde k úniku ani premene kovového olova z výrobku a koncentrácia kovového olova v celom výrobku je značne pod príslušnou prahovou hodnotou. Pri likvidácii olova na konci životnosti výrobku zohľadnite, prosím, miestne požiadavky.

### Bezpečnosť

NEVYHADZUJE – ODOVZDAJTE POUŽÍVATEĽOVI

#### VAROVANIE Prečítajte si všetky bezpečnostné varovania, pokyny, obrázky a špecifikácie poskytnuté s týmto výrobkom.

Nedodržanie všetkých dole uvedených pokynov môže mať za následok zásah elektrickým prúdom, požiar, vecné škody a/alebo vážne zranenie.

Všetky varovania a pokyny si odložte pre budúce nahliadnutie.

#### VAROVANIE Všetky lokálne legislatívne bezpečnostné predpisy, ktoré sa týkajú inštalácie, prevádzky a údržby sa musia vždy dodržiavať.

### Účel použitia

- Iba pre profesionálne použitie.
- Tento výrobok a jeho príslušenstvo sa nesmie v žiadnom prípade prerábať.
- Tento výrobok nepoužívajte, ak bol poškodený.
- Ak údaje o výrobku alebo výstražné štítky upozorňujúce na nebezpečenstvo umiestnené na výrobku prestanú byť čitateľné alebo sa uvoľnia, bezodkladne ich nahraďte.
- Výrobok smie inštalovať, obsluhovať a servisovať iba kvalifikovaná osoba v priemyselnom prostredí.

### Určené použitie

Sledovacie zariadenie je dimenzované na inštaláciu na bezdrôtové uťahovačky matíc Desoutter EABS (pozri zoznam nižšie). Nie je povolené žiadne iné použitie. Len na profesionálne použitie.

Model	Číslo dielu
EABS8-1500-4S	6151660870
EABS8-1500-4Q	6151660880
EABS12-1100-4S	6151660890
EABS12-1100-10S	6151660900
EABS12-1100-4Q	6151660910
EABS17-800-4S	6151660920
EABS17-800-10S	6151660930
EABS17-800-4Q	6151660940
EABS24-500-10S	6151660950
EABS24-500-4Q	6151660960

Sledovacie zariadenia komunikujú so sledovacími základňami nainštalovanými v pracovných staniciach prostredníctvom ultraširokopásmovej technológie UWB (Ultra-Wide Band).

Model	Číslo dielu
Sledovacia základňa	6158133350

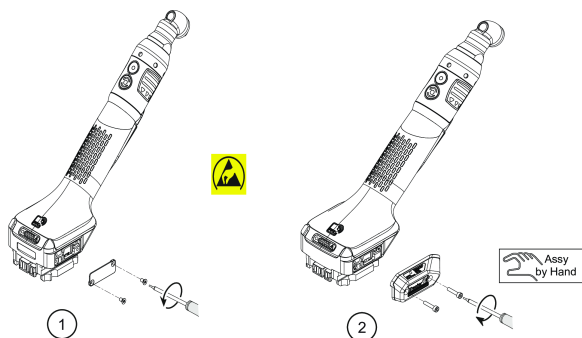
### Pokyny špecifické pre výrobok

#### Minimálne verzie firmvéru a softvéru

Výrobok	Verzia
EABS	V 6.0.x
CONNECT	V 2.1.5.x
CVI CONFIG	V 2.3.4.x

### Inštalácia sledovacieho zariadenia

Pred montážou vyberte batériu.



## ⚠ VAROVANIE Riziko antistatického výboja



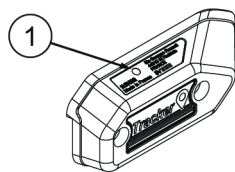
Ak sa neuzemníte, hrozí riziko antistatického výboja.

- Noste antistatický remienok na zápästie.

1. Odnímate krycí plech.  
V prípade potreby si ho uchovajte na neskoršie použitie.
2. Umiestnite sledovacie zariadenie na jeho miesto.  
Utiahnite rukou.

## Ako zapnúť napájanie a aktivovať sledovacie zariadenie

Zapojte batériu do nástroja.



- 1 Indikátor

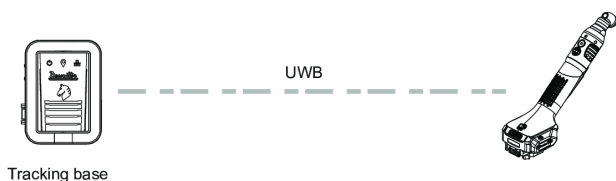
Indikátor bliká počas spúšťania 5 sekúnd na zeleno, čím signalizuje, že nástroj je správne napájaný.

Ak indikátor bliká na červeno, znamená to, že na sledovacie zariadenie nebol nainštalovaný žiadny firmvér alebo bol nainštalovaný poškodený firmvér.

Na aktiváciu sledovacieho zariadenia prejdite na CONNECT.

- ⓘ Pozri Produktové pokyny sledovacej základne (č. tlačiva 6159925540) dostupné na <https://www.desouttertools.com/resource-centre>.

Sledovacie zariadenie bude potom komunikovať s vyhradenou sledovacou základňou cez UWB.



Proces inovácie firmvéru sledovacieho zariadenia je vysvetlený v nasledujúcom dokumente:

- Pozri Produktové pokyny sledovacej základne (č. tlačiva 6159925540) dostupné na <https://www.desouttertools.com/resource-centre>.
- Typ modelu sledovacej základne:

Typový model sledovacej základne	Index sériového čísla sledovacej základne	Dátum výroby
Len CE	4900xxxxxxx až 4903xxxxxxx Od indexu = 0 až 3	Pred rokom 2021
CE a FCC	4904xxxxxxx a neskoršie Od indexu = 4	Po roku 2021

Farba LED	Popis
zelená – neprerušovane	Komunikácia so sledovacou základňou je vytvorená.
červená – neprerušovane	Komunikácia so sledovacou základňou nie je vytvorená.
modrá – neprerušovane	Sledovacia základňa je odpojená od sledovacieho zariadenia alebo je preň neviditeľná.

## Bezpečnostné pokyny

Prečítajte si Bezpečnostné informácie s odkazom na 6159925210 dodané spolu s nástrojom, resp. dostupné na <https://www.desouttertools.com/resource-centre>.

## Užitočné informácie

### Webová stránka

Informácie ohľadne našich výrobkov, príslušenstva, náhradných dielov a zverejnených materiálov nájdete na webovej stránke Desoutter.

Navštívte, prosím: [www.desouttertools.com](http://www.desouttertools.com).

### Informácie o návodoch na inštaláciu

Podrobné návody na obsluhu, inštaláciu a modernizáciu sú k dispozícii na adrese <https://www.desouttertools.com/resource-centre>.

### Informácie o náhradných dieloch

Rozšírené náhľady a zoznamy náhradných dielov sú k dispozícii v servisnom prepojení na adrese [www.desouttertools.com](http://www.desouttertools.com).

### Krajina pôvodu

France

### Bezpečnostné dátové listy MSDS/SDS

Karty bezpečnostných údajov popisujú chemické výrobky predávané spoločnosťou Desoutter.

## Safety Information

Pre viac informácií navštívte webovú stránku spoločnosti Desoutter <https://www.desouttertools.com/legal/sds>.

### Copyright

© Copyright 2022, Ets Georges Renault, 38 rue Bobby Sands, 44818 Saint Herblain, France

Všetky práva vyhradené. Akékoľvek neautorizované použitie alebo kopírovanie obsahu alebo jeho časti je zakázané. Týka sa to predovšetkým obchodných značiek, označení modelov, čísiel dielov a výkresov. Používajte iba autorizované diely. Na akékoľvek škody alebo zlyhania spôsobené používaním neautorizovaných dielov sa nevzťahuje záruka ani ručenie za produkt.

## Technické údaje

### Technické údaje

#### Napájenie

Napájenie z nástroje (5 V)

#### Spotřeba energie

2,5 W

#### Hmotnosť

0,02 kg  
0,044 lb

#### Podmínky pro skladování a používání

Teplota skladování	-20 až +70 °C (-4 až +158 °F)
Provozní teplota	0 až 45 °C (32 až +113 °F)
Vlhkost při skladování	0–95 % RH (nekondenzující)
Provozní vlhkost	0-90 % RH (nekondenzující)
Max. nadmořská výška	2 000 m (6 562 stop)
K použití v prostředí se stupněm znečištění 2	
Použití pouze ve vnitřních prostorech	

#### Technické údaje bezdrátové komunikace

<b>Kanál</b>	<b>1</b>
Středová frekvence (MHz)	3494,4
Frekvence (MHz) *	3244,8–3744
Šířka pásma (MHz) *	499,2
Max. hodnota špičkového výkonu	< 0
Autorizované země **	USA

<b>Kanál</b>	<b>2 (výchozí)</b>
Středová frekvence (MHz)	3993,6
Frekvence (MHz) *	3774–4243,2
Šířka pásma (MHz) *	499,2

Max. hodnota špičkového výkonu	< 0
Autorizované země **	Evropa, USA

<b>Kanál</b>	<b>3</b>
Středová frekvence (MHz)	4492,8
Frekvence (MHz) *	4243,2–4742,4
Šířka pásma (MHz) *	499,2
Max. hodnota špičkového výkonu	< 0
Autorizované země **	Evropa, USA

<b>Kanál</b>	<b>4</b>
Středová frekvence (MHz)	3993,6
Frekvence (MHz) *	3228–4659,2
Šířka pásma (MHz) *	1331,2
Max. hodnota špičkového výkonu	< 0
Autorizované země **	Evropa, USA

<b>Kanál</b>	<b>5</b>
Středová frekvence (MHz)	6489,6
Frekvence (MHz) *	6240–6739,2
Šířka pásma (MHz) *	499,2
Max. hodnota špičkového výkonu	< 0
Autorizované země **	Evropa, USA

<b>Kanál</b>	<b>7</b>
Středová frekvence (MHz)	6489,6
Frekvence (MHz) *	5980,3–6998,9
Šířka pásma (MHz) *	1081,6
Max. hodnota špičkového výkonu	< 0
Autorizované země **	USA

\*: podle UWB IEEE802.15.4-2011

\*\* : před použitím ověřte, že sledovací zařízení splňuje podmínky místních směrnic a nařízení. Některé kanály mohou být na určitých místech zakázané. Další informace vám sdělí zástupce společnosti Desoutter.

Může dojít k rušení mezi přístroji používajícími systém UWB (IEEE 802.14.5). K zamezení nebo snížení takového rušení lze použít zmírňující opatření, např.:

- omezte maximální pokrytí radiovým signálem v okolí sledovací základny s monitorem CVI,
- zvětšete vzdálenost mezi zařízeními.

## Prohlášení

### EU PROHLÁŠENÍ O SHODĚ

My, společnost **Ets Georges Renault**, 38 rue Bobby Sands, 44818 Saint Herblain, France, na vlastní odpovědnost prohlašujeme, že produkt (s názvem, typem a sériovým číslem, viz přední strana) splňuje požadavky těchto směrnic:

**2011/65/EU, 2014/53/EU**

Použité harmonizované normy:

**EN 62841-2-2:2014+C1:2016; EN 62311: 2008; EN 302 065-2 v2.1.1; EN 301 489-33 v2.2.1; EN 301 489-1 v2.2.3; EN 61000-6-2:2019**

Úřady si mohou vyžádat příslušné technické informace od:

Pascal ROUSSY, R&D Manager, 38 rue Bobby Sands, 44818 Saint Herblain, France

**Saint Herblain, 2022/07/04**

**Pascal ROUSSY, R&D Manager**

**Přezkoumání typu EU**

Notifikovaná osoba **EMITECH** s identifikačním číslem **0536** provedla hodnocení shody technické dokumentace v souladu s postupem v Příloze III (Modul B) směrnice 2014/53/EU a vydala Osvědčení o přezkoumání typu EU č. **21-I037\_C**.

### WEEE

Informace týkající se **odpadu z elektrických a elektronických zařízení (WEEE)**:

Tento produkt a informace o něm splňují požadavky Nařízení/Směrnice WEEE (2012/19/EU) a s produktem musí být nakládáno v souladu s požadavky této směrnice.

Produkt je označen následujícím symbolem:



Produkty označené symbolem přeškrtnuté popelnice na kolečkách s jednou černou čarou pod ní obsahují součásti, se kterými je nutno nakládat v souladu s nařízením / se směrnicí o odpadních elektrických a elektronických zařízeních (WEEE). Celý produkt, nebo jeho součásti označené WEEE, lze odeslat ke zpracování do „Zákaznického střediska“.

### Oblastní požadavky

#### ⚠ VÝSTRAHA

U tohoto výrobku můžete být vystaveni působení chemických látek včetně olova, což je ve státě Kalifornie faktor způsobující rakovinu, poškození plodu nebo jiné reprodukční poškození. Více informací je k dispozici na stránce

<https://www.p65warnings.ca.gov/>



## Informace ohledně článku 33 nařízení REACH

Nařízení Evropského parlamentu a Rady (ES) č. 1907/2006 o registraci, hodnocení, povolování a omezování chemických látek (REACH) kromě dalších záležitostí definuje požadavky vztahující se ke komunikaci v rámci dodavatelského řetězce. Požadavek na informace platí i pro produkty obsahující tzv. látky vzbuzující mimořádné obavy („Seznam kandidátů“). Dne 27. Června 2018 bylo na seznam kandidátů zařazeno olovo (č. CAS 7439-92-1).

V souladu s výše uvedeným vás tímto informujeme, že určité elektrické a mechanické součásti produktu mohou obsahovat olovo. To je v souladu s aktuální legislativou o omezení látek a na základě platných výjimek ve Směrnici o omezení používání některých nebezpečných látek v elektrických a elektronických zařízeních (2011/65/EU) známé i pod zkratkou RoHS. Olovo nebude během běžného používání z produktu unikat ani v něm mutovat a celková koncentrace olova v produktu je výrazně pod platnou prahovou mezí. Zkontrolujte místní požadavky ohledně likvidace olova na konci životnosti produktu.

## Bezpečnost

NEVYHAZUJTE – PŘEDEJTE UŽIVATELI

**⚠ VÝSTRAHA** Přečtěte si všechny bezpečnostní výstrahy, pokyny, ilustrace a specifikace dodané s tímto produktem.

Nedodržení veškerých níže uvedených pokynů může mít za následek úraz elektrickým proudem, požár, poškození majetku nebo vážný úraz.

**Uchovejte veškeré texty varování a pokynů i pro budoucí potřebu.**

**⚠ VÝSTRAHA** Vždy dodržujte všechna zákonná bezpečnostní pravidla týkající se instalace, provozu a údržby produktu.

### Prohlášení o použití

- Pouze pro profesionální použití.
- Tento nástroj a jeho příslušenství je zakázáno jakýmkoliv způsobem upravovat.
- Nepoužívejte tento produkt, pokud je poškozen.
- Pokud na produktu nejsou čitelné štítky s údaji o produktu či výstražné štítky, nebo pokud dojde k jejich oddělení od produktu, bez prodlení je nahraďte novými.
- Tento produkt smí instalovat, používat či provádět jeho servis pouze kvalifikované osoby v průmyslovém montážním prostředí.

### Zamýšlené používání

Lokátor (tracker) je určen k montáži na bezšňůrové utahovávky matic Desoutter EABS (viz seznam níže). Není dovoleno žádné jiné používání. Pouze pro profesionální používání.

## Safety Information

Model	Číslo dílu
EABS8-1500-4S	6151660870
EABS8-1500-4Q	6151660880
EABS12-1100-4S	6151660890
EABS12-1100-10S	6151660900
EABS12-1100-4Q	6151660910
EABS17-800-4S	6151660920
EABS17-800-10S	6151660930
EABS17-800-4Q	6151660940
EABS24-500-10S	6151660950
EABS24-500-4Q	6151660960

Lokátory komunikují se sledovacími základnami namontovanými v pracovních stanicích prostřednictvím technologie UWB (ultraširoké pásmo).

Model	Číslo dílu
Sledovací základna	6158133350

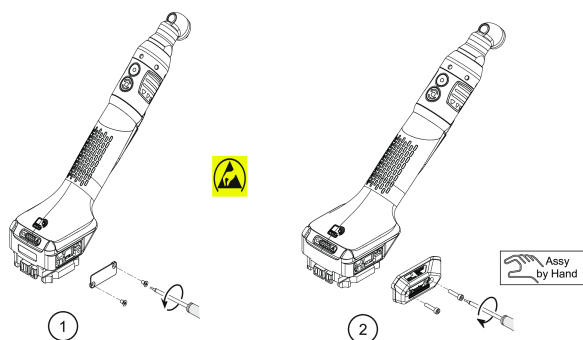
## Pokyny specifické pro produkt

### Minimální verze firmwaru a softwaru

Produkt	Verze
EABS	V 6.0.x
CONNECT	V 2.1.5.x
CVI CONFIG	V 2.3.4.x

## Montáž lokátoru

Před montáží vyjměte akumulátor.



### ⚠ VÝSTRAHA Riziko elektrostatického výboje



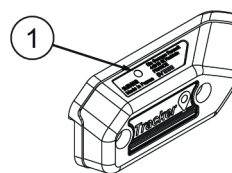
Pokud nebudete uzemnění, existuje riziko elektrostatického výboje.

- Noste na zápěstí antistatický náramek.

1. Sejměte kryt.  
Uchovejte ho pro pozdější potřebu.
2. Umístěte lokátor (tracker) na určené místo.  
Utáhněte rukou.

## Způsob připojení lokátoru k napájení a jeho aktivace

Připojte bateriový zdroj k nástroji.



- 1 Indikátor

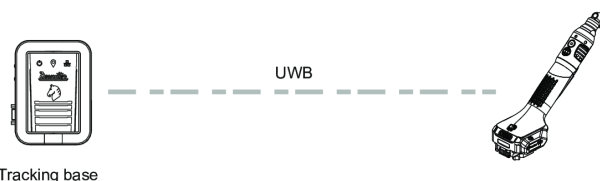
Během spouštění bliká indikátor 5 sekund zeleně, což znamená, že nástroj je správně připojen k napájení a je napájen.

Bliká-li indikátor červeně, není ve sledovacím zařízení nainstalován firmware, případně je nainstalovaný firmware poškozený.

Přejděte do systému CONNECT a aktivujte sledovací zařízení.

- ⓘ Podrobné informace jsou uvedeny v pokynech týkajících se sledovací základny (tiskovina č. 6159925540), které jsou k dispozici na stránce <https://www.desouttertools.com/resource-centre>.

Sledovací zařízení bude poté komunikovat s určenou sledovací základnou prostřednictvím UWB.



Proces upgradu firmwaru sledovacího zařízení je vysvětlen v následujícím dokumentu:

- Podrobné informace jsou uvedeny v pokynech týkajících se sledovací základny (tiskovina č. 6159925540), které jsou k dispozici na stránce <https://www.desouttertools.com/resource-centre>.
- Typ modelu sledovací základny:

Typový model sledovací základny	Index sériového čísla sledovací základny	Datum výroby
Pouze CE	4900xxxxxxx to 4903xxxxxxx Od indexového čísla = 0 to 3	Před rokem 2021
CE a FCC	4904xxxxxxx a novější Od indexového čísla = 4	Po roce 2021

Barva LED kontrolky	Popis
Zelená – svítí stále	Je navázána komunikace se sledovací základnou.
Červená – svítí stále	Není navázána komunikace se sledovací základnou.



Barva LED kontrolky	Popis
Modrá – svítí stále	Sledovací základna je odpojena a sledovací zařízení ji nevidí.

## Bezpečnostní pokyny

Přečtěte si bezpečnostní pokyny v dokumentu 6159925210, který se dodává s nástrojem, případně je k dispozici na adrese <https://www.desouttertools.com/resource-centre>.

## Užitečné informace

### Webová stránka

Informace týkající se našich produktů, příslušenství, náhradních dílů a publikovaných dokumentů naleznete na webových stránkách společnosti Desoutter.

Navštivte: [www.desouttertools.com](http://www.desouttertools.com).

### Informace o příručkách k instalaci

Podrobný návod k použití, instalační příručka a příručka k upgradu jsou k dispozici na adrese <https://www.desouttertools.com/resource-centre>.

### Informace o náhradních dílech

Nákresy zařízení v rozloženém stavu a seznamy náhradních dílů jsou k dispozici v Odkazu na servis na adrese [www.desouttertools.com](http://www.desouttertools.com).

### Země původu

France

### Materiálové bezpečnostními listy MSDS/ SDS

Bezpečnostní listy popisují chemické produkty, které prodává společnost Desoutter.

Více informací získáte na webových stránkách společnosti Desoutter na adrese <https://www.desouttertools.com/legal/sds>.

### Copyright

© 2022, Ets Georges Renault, 38 rue Bobby Sands, 44818 Saint Herblain, France

Všechna práva vyhrazena. Veškeré neautorizované použití a kopírování obsahu nebo jeho částí je zakázáno. To platí zejména o obchodních známkách, označeních modelu, číslech součástek a výkresech. Používejte pouze schválené náhradní díly. Jakékoliv škody nebo závady způsobené použitím neschválených dílů nejsou kryty Zárukou ani Odpovědností za produkt.

## Műszaki adatok

### Műszaki adatok

#### Tápegység

A szerszámmal működtethető (5 V)

#### Áramfogyasztás

2,5 W

#### Tömeg

0,02 kg

0,044 lb

### Tárolási és használati körülmények

Tárolási hőmérséklet	-20 – +70 °C (-4 – +158 °F)
Üzemi hőmérséklet	0 – 45 °C (32 – +113 °F)
Tárolási páratartalom	0–95% relatív páratartalom (nem lecsapódó)
Üzemi páratartalom	0-90 % relatív páratartalom (nem lecsapódó)
Tengerszint feletti magasság max.	2000 m (6562 láb)
Használható légszennyezettség alapján 2. fokozatba sorolt környezetben	
Csak beltéri használatra	

### Vezeték nélküli kommunikáció specifikációi

Csatorna	1
Középfrekvencia (MHz)	3494,4
Frekvencia (MHz) *	3244,8–3744
Sávszélesség (MHz) *	499,2
Csúcsjeljesítmény max. értéke (dBm)	< 0
Engedélyezett országok **	USA

Csatorna	2 (alapértelmezett)
Középfrekvencia (MHz)	3993,6
Frekvencia (MHz) *	3774–4243,2
Sávszélesség (MHz) *	499,2
Csúcsjeljesítmény max. értéke (dBm)	< 0
Engedélyezett országok **	Európa, USA

Csatorna	3
Középfrekvencia (MHz)	4492,8
Frekvencia (MHz) *	4243,2–4742,4
Sávszélesség (MHz) *	499,2
Csúcsjeljesítmény max. értéke (dBm)	< 0

## Safety Information

Engedélyezett országok **	Európa, USA
<b>Csatorna</b>	<b>4</b>
Középfrekvencia (MHz)	3993,6
Frekvencia (MHz) *	3228–4659,2
Sávszélesség (MHz) *	1331,2
Csústeljesítmény max. értéke (dBm)	< 0
Engedélyezett országok **	Európa, USA
<b>Csatorna</b>	<b>5</b>
Középfrekvencia (MHz)	6489,6
Frekvencia (MHz) *	6240–6739,2
Sávszélesség (MHz) *	499,2
Csústeljesítmény max. értéke (dBm)	< 0
Engedélyezett országok **	Európa, USA
<b>Csatorna</b>	<b>7</b>
Középfrekvencia (MHz)	6489,6
Frekvencia (MHz) *	5980,3–6998,9
Sávszélesség (MHz) *	1081,6
Csústeljesítmény max. értéke (dBm)	< 0
Engedélyezett országok **	USA

\*: az UWB IEEE802.15.4-2011 szabvány szerint

\*\* : vegye figyelembe, hogy használat előtt a nyomkövetőt be kell állítani ahhoz, hogy megfeleljen a helyi szabályozásoknak. Egyes csatornákat helyi szabályozások tilthatnak. További információért forduljon a Desoutter képviselőjéhez.

Az UWB-rendszert (IEEE 802.14.5) használó készülékek között interferencia fordulhat elő. Ezek elkerülésére vagy csökkentésére különböző lépések tehetők, például:

- A nyomkövető alap max. rádiós lefedettségének csökkentése a CVI Monitor eszközzel
- A készülékek közötti távolság növelése

## Nyilatkozatok

### EU MEGFELELŐSÉGI NYILATKOZAT

Mi, a(z) **Ets Georges Renault**, 38 rue Bobby Sands, 44818 Saint Herblain, France, kizárólagos felelősségünk tudatában kijelentjük, hogy a termék (a típust és termékszámot lásd az első oldalon) megfelel a következő irányelv(ek)nek:

**2011/65/EU, 2014/53/EU**

Alkalmazott harmonizált szabványok:

**EN 62841-2-2:2014+C1:2016; EN 62311: 2008; EN 302 065-2 v2.1.1; EN 301 489-33 v2.2.1; EN 301 489-1 v2.2.3; EN 61000-6-2:2019**



A hatóságok kérhetik a vonatkozó műszaki információkat:

Pascal ROUSSY, R&D Manager, 38 rue Bobby Sands, 44818 Saint Herblain, France

**Saint Herblain, 2022/07/04**

**Pascal ROUSSY, R&D Manager**

**EU-típusvizsgálat**

A tanúsítási szervezet (**EMITECH**, azonosítószám: **0536**) elvégezte a műszaki dokumentáció megfelelőségének értékelését a 2014/53/EU irányelv III. mellékletében (B modul) foglalt eljárás szerint, és kiadta a **21-I037\_C** számú EU-típusú vizsgálati tanúsítványt.

## WEEE irányelv

**Elektromos és elektronikus berendezések hulladékaival** (WEEE - Waste of Electrical and Electronic Equipment) kapcsolatos információk.

Ez a termék és tájékoztatója megfelel a WEEE irányelvnek/szabályozásoknak (2012/19/EU), és az irányelv/szabályozások előírásainak megfelelően kell kezelni.

A terméket a következő szimbólummal láttuk el:



Az áthúzott szemetes kukát és alatta egy szimpla fekete sávot ábrázoló szimbólummal megjelölt termékek olyan részeket tartalmaznak, amelyeket a WEEE irányelvnek/szabályozásoknak megfelelően kell kezelni. A teljes terméket vagy WEEE hatálya alá tartozó részeit az Ügyfélközpontba küldheti hulladékkezelés céljából.

## Regionális követelmények

### ⚠ FIGYELEM

A termék különböző vegyi anyagoknak, például ólomnak való kitettséget okozhat, az ólomot pedig Kalifornia állam hatóságai a rákkeltő, születési rendellenességeket vagy más szaporodási ártalmakat okozó anyagok közé soroltak. További tudnivalóért lásd

<https://www.p65warnings.ca.gov/>

## Információ a REACH-rendelet 33. cikkénél

A vegyi anyagok regisztrálásáról, értékeléséről, engedélyezéséről és korlátozásáról szóló 1907/2006/EK rendelet (REACH) többek között az ellátási láncban történő információközlésre vonatkozó követelményeket ír elő. Az információközlési követelmény többek között a különösen veszélyes anyagokat tartalmazó termékekre irányul (a „Jelöltlista”). 2018. június 27-én az ólom (CAS-szám: 7439-92-1) is felkerült a jelöltlistára.

A fentiekkel összhangban ezúton tájékoztatjuk Önt, hogy a termékben bizonyos elektronikus és mechanikus részek gységek ólomot tartalmazhatnak. Ez megfelel az anyagok kor-

látozására vonatkozó jelenlegi jogszabályoknak, és az RoHS irányelv (2011/65/EU) jogszerű kivételein alapul. Az ólom normál használat folyamán nem szivárog és nem képződik a termékből, és az ólom koncentrációja a teljes termékben jóval a vonatkozó határérték alatt van. Kérjük, hogy a termék élettartamának végén vegye figyelembe az ólom ártalmatlanságára vonatkozó helyi előírásokat.

## Biztonság

NE DOBJA EL – ADJA ÁT A FELHASZNÁLÓNAK!

**⚠ FIGYELEM** Olvassa el a termékre vonatkozó összes biztonsági előírást, útmutatót, illusztrációt és műszaki adatokat.

Az alábbiakban felsorolt utasítások be nem tartása áramütést, tüzet anyagi kárt és/vagy súlyos sérülést okozhat.

Olvassa el és a jövőben is tartsa be az összes figyelmeztetést és utasítást.

**⚠ FIGYELEM** Minden körülmények között tartsa be a felszerelésekre, üzemeltetésre és karbantartásra vonatkozó, a törvény szerint érvényben lévő helyi biztonsági szabályokat.

### Használatra vonatkozó nyilatkozat

- Kizárólag professzionális felhasználásra.
- A terméket és tartozékait semmilyen módon nem szabad módosítani.
- Ne használja a terméket, ha sérült.
- Ha a termék adatai vagy az előírt sebességre vonatkozó vagy veszélyre figyelmeztető címkék a terméken nem olvashatók vagy leváltak, a lehető leghamarabb tegyen fel újakat.
- A termék üzembe helyezését, üzemeltetését és szervizelését kizárólag szakképzett személy végezheti ipari környezetben.

### Rendeltetésszerű használat

A követőt a DesoutterEABS vezeték nélküli csavaranyahajtókba (lásd a lenti listát) való beszerelésre tervezték. Másra használni tilos. Kizárólag szakember általi használatra.

Típus	Cikkszám
EABS8-1500-4S	6151660870
EABS8-1500-4Q	6151660880
EABS12-1100-4S	6151660890
EABS12-1100-10S	6151660900
EABS12-1100-4Q	6151660910
EABS17-800-4S	6151660920
EABS17-800-10S	6151660930
EABS17-800-4Q	6151660940
EABS24-500-10S	6151660950
EABS24-500-4Q	6151660960

A követők a munkaállomásokba UWB- (Ultra-Wide Band, ultraszélessáv) technológiával felszerelt követőtálpakkal kommunikálnak.

Típus	Cikkszám
Követőtálp	6158133350

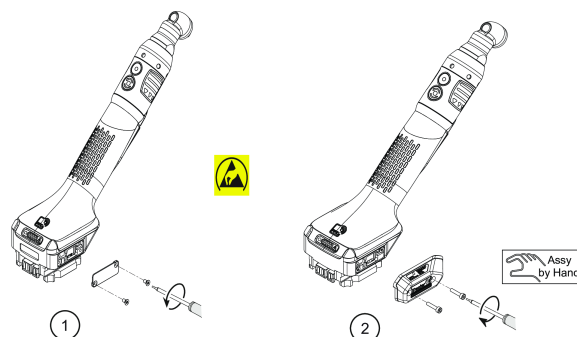
### Termékspecifikus utasítások

#### Minimum firmware- és szoftververziók

Termék	Verzió
EABS	V 6.0.x
CONNECT	V 2.1.5.x
CVI CONFIG	V 2.3.4.x

#### A követő felszerelése

Szerelés előtt távolítsa el az akkumulátort.



**⚠ FIGYELEM** Elektrosztatikus kisülés kockázata



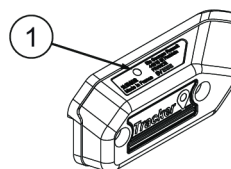
Ha nem földeli le magát, akkor fennáll az elektrosztatikus kisülés kockázata.

- Viseljen antistatikus csuklópántot.

1. Távolítsa el a fedőlapot. Szükség esetén tegye el későbbi használatra.
2. Tegye a helyére a követőt. Kézzel szorítsa meg.

#### A követő bekapcsolása és aktiválása

Csatlakoztasson egy akkumulátort az eszközhöz.



- 1 Jelzőfény

Indításkor a jelzőfény 5 másodpercig zölden villog, ami azt jelzi, hogy az eszköz megfelelő tápellátást biztosít.

## Safety Information

Ha a jelzőfény pirosan villog, az azt jelenti, hogy nincs vezérlőprogram telepítve a nyomkövetőn, vagy a vezérlőprogram hibás.

Nyissa meg a CONNECT szoftvert a nyomkövető engedélyezéséhez.

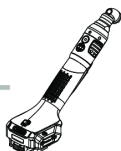
- ❶ Lásd a <https://www.desouttertools.com/resource-centre> címen elérhető nyomkövető alap terméktájékoztatóját (6159925540 számú nyomtatott dokumentum).

A nyomkövető ezután ultraszéles sávon (UWB-n) keresztül fog kommunikálni a kijelölt nyomkövető alappal.



Tracking base

UWB



A nyomkövető vezérlőprogramjának frissítési folyamatáról a következő dokumentumban olvashat részletes leírást:

- Lásd a <https://www.desouttertools.com/resource-centre> címen elérhető nyomkövető alap terméktájékoztatóját (6159925540 számú nyomtatott dokumentum).
- Nyomkövető alap modelltípus:

Nyomkövető alap típusa	Nyomkövető alap sorozatszám-index	Gyártás napja
Csak CE	4900xxxxxxx– 4903xxxxxxx Indexből = 0–3	2021 előtt
CE és FCC	4904xxxxxxx és későbbi Indexből = 4	2021 után

LED színe	Leírás
zöld – folyamatos fény	Létrejött a kommunikációs kapcsolat a nyomkövető alappal.
piros – folyamatos fény	Nem jött létre a kommunikációs kapcsolat a nyomkövető alappal.
kék – folyamatos fény	A nyomkövető alap nem kapcsolódik a nyomkövetőhöz vagy nem látható arról.

### Biztonsági útmutatások

Olvassa el a szerszámhoz mellékelt (6159925210. sz.) biztonsági útmutatót, amely a következő címen is elérhető: <https://www.desouttertools.com/resource-centre>.

## Hasznos információk

### Weboldal

A termékekre, a tartozékokra és a cserealkatrészekre, valamint a kiadványainkra vonatkozó információk a(z) Desoutter weboldalán található.

Látogasson el a következő címre: [www.desouttertools.com](http://www.desouttertools.com).

### Beépítési útmutatóra vonatkozó információ

Részletes használati útmutatás, üzembehelyezési és fejlesztési kézikönyvek: <https://www.desouttertools.com/resource-centre>.

### Információ a pótalkatrészekről

A perspektivikus bontott részabrázolásokat és a pótalkatrészek listáját ezen a linken találja [www.desouttertools.com](http://www.desouttertools.com).

### Származási ország

France

### Biztonsági adatlapok MSDS/SDS

A Desoutter által értékesített kémiai termékeket a biztonsági adatlapok írják le.

További információért lásd a Desoutter webhelyét: <https://www.desouttertools.com/legal/sds>.

### Copyright

© Szerzői jog 2022, Ets Georges Renault, 38 rue Bobby Sands, 44818 Saint Herblain, France

Minden jog fenntartva. A tartalom vagy annak bármely részének jogosulatlan használata vagy másolása tilos. Ez különösképpen vonatkozik a védjegyekre, a modellek megnevezéseire, az alkatrészszámokra és a rajzokra. Kizárólag engedélyezett alkatrészeket használjon. A nem engedélyezett alkatrészek használatából eredő bármilyen meghibásodásra vagy károsodásra a Jótállás és Termékfelelősség feltételei nem vonatkoznak.

### Tehnični podatki

#### Tehnični podatki

#### Napajanje

Napajanje s strani orodja (5 V)

#### Poraba energije

2,5 W

#### Teža

0,02 kg  
0,044 funta

**Pogoji hrambe in uporabe**

Temperatura med hrambo	-20 do +70 °C (-4 do +158 F)
Delovna temperatura	0 do 45 °C (32 do 113 F)
Vlaga med hrambo	0-95 % RH (brez kondenzacije)
Vlaga med delovanjem	0-90 % RH (brez kondenzacije)
Nadmorska višina do	2.000 m (6.562 čevljev)
Uporabno v okolju s stopnjo onesnaženja 2	
Samo za notranjo uporabo	

**Specifikacije brezžične komunikacije**

<b>Kanal</b>	<b>1</b>
Središčna frekvenca (MHz)	3494,4
Frekvenca (MHz) *	3244,8 – 3744
Pasovna širina (MHz) *	499,2
Maks. vrednost največje moči (dBm)	< 0
Potrjeno v državah	ZDA

<b>Kanal</b>	<b>2 (privzeto)</b>
Središčna frekvenca (MHz)	3993,6
Frekvenca (MHz) *	3774 – 4243,2
Pasovna širina (MHz) *	499,2
Maks. vrednost največje moči (dBm)	< 0
Potrjeno v državah	Evropa, ZDA

<b>Kanal</b>	<b>3</b>
Središčna frekvenca (MHz)	4492,8
Frekvenca (MHz) *	4243,2 – 4742,4
Pasovna širina (MHz) *	499,2
Maks. vrednost največje moči (dBm)	< 0
Potrjeno v državah	Evropa, ZDA

<b>Kanal</b>	<b>4</b>
Središčna frekvenca (MHz)	3993,6
Frekvenca (MHz) *	3228 – 4659,2
Pasovna širina (MHz) *	1331,2
Maks. vrednost največje moči (dBm)	< 0
Potrjeno v državah	Evropa, ZDA

<b>Kanal</b>	<b>5</b>
Središčna frekvenca (MHz)	6489,6
Frekvenca (MHz) *	6240 – 6739,2
Pasovna širina (MHz) *	499,2

Maks. vrednost največje moči < 0 (dBm)  
Potrjeno v državah Evropa, ZDA

<b>Kanal</b>	<b>7</b>
Središčna frekvenca (MHz)	6489,6
Frekvenca (MHz) *	5980,3 – 6998,9
Pasovna širina (MHz) *	1081,6
Maks. vrednost največje moči (dBm)	< 0
Potrjeno v državah	ZDA

\*: v skladu z UWB IEEE802.15.4-2011

\*\* : pred uporabo - pomnite, da mora biti Sledilnik nastavljen tako, da je skladen z lokalnimi uredbami. Nekateri kanali so lahko morda lokalno prepovedani. Za več informacij se obrnite na svojega predstavnika za izdelke Desoutter.

Med napravami, ki uporabljajo sistem UWB (IEEE 802.14.5) se lahko pojavi interferenca. V izogib taki interferenci lahko izvedete blažilne ukrepe:

- Zmanjšajte maksimalno pokrivanje radijske povezave od sledilne osnove s CVI Monitorjem
- Povečajte razdaljo med napravami

**Izjave****EU IZJAVA O SKLADNOSTI**

V družbi **Ets Georges Renault**, 38 rue Bobby Sands, 44818 Saint Herblain, France, na izključno lastno odgovornost izjavljamo, da je izdelek (z imenom, tipom in serijsko številko z naslovnice) skladen z naslednjimi direktivami:

**2011/65/EU, 2014/53/EU**

Uporabljeni usklajeni standardi:

**EN 62841-2-2:2014+C1:2016; EN 62311: 2008; EN 302 065-2 v2.1.1; EN 301 489-33 v2.2.1; EN 301 489-1 v2.2.3; EN 61000-6-2:2019**

Pristojni organ lahko zaprosi za pridobitev potrebnih tehničnih podatkov pri:  
Pascal ROUSSY, R&D Manager, 38 rue Bobby Sands, 44818 Saint Herblain, France

**Saint Herblain, 2022/07/04**

**Pascal ROUSSY, R&D Manager**

**Pregled tipa EU**

Priglašeni organ **EMITECH**, z identifikacijsko številko **0536**, je izvedel oceno skladnosti tehnične dokumentacije v skladu s postopkom Priloge III (Modula B) direktive 2014/53/EU in izdal certifikat o pregledu tipa EU št. **21-I037\_C**.



### OEEEO

Informacije o odpadni električni in elektronski opremi (WEEE oz. OEEEO):

Ta izdelek in njegove informacije ustrezajo zahtevam direktive oz. regulativ WEEE oz. OEEEO (2012/19/EU), tako da je treba z njima ravnati skladno s to direktivo oz. regulativami.

Izdelek je označen z naslednjim simbolom:



Izdelki, označeni s simbolom prečrtanega smetnjaka, poudarjenega z enojno črno črto, vsebujejo dele, s katerimi je potrebno rokovati v skladu z direktivo oz. regulativami WEEE (OEEEO). Celoten izdelek ali dele WEEE (OEEEO) lahko pošljete v obdelavo svojemu "centru za stranke".

### lokalne zahteve

#### ⚠ OPOZORILO

Ta izdelek vas lahko izpostavi kanikalijam, vključno s svincem, ki po vedenju države Kalifornije povzroča raka in okvare ob rojstvu oz. druge reproduktivne težave. Za več informacij obiščite

<https://www.p65warnings.ca.gov/>

### Informacije o 33. členu v sistemu REACH

Evropska uredba (EU) št. 1907/2006 o registraciji, evalvaciji, avtorizaciji in omejevanju kemikalij (REACH) med drugim določa zahteve glede obveščanja znotraj dobavne verige. Zahteve po obveščanju veljajo tudi za izdelke, ki vsebujejo t.i. snovi, ki zbuja veliko skrb («seznam kandidatov»). 27. 06. 2018 je bil na seznam kandidatov dodan svinec (CAS nr 7439-92-1).

Skladno z zgoraj navedenim vas obveščamo, da lahko določene električne in mehanske komponente izdelka vsebujejo svinec. To je v skladu s trenutno zakonodajo o omejevanju snovi in na osnovi zakonitih izjem v direktivi RoHS (2011/65/EU). Svinec med običajno uporabo ne bo iztekal ali mutiral iz izdelka, koncentracija svina v celotnem izdelku pa je bistveno nižja od veljavne mejne vrednosti. Prosimo, pri odstranjevanju svina ob koncu življenjske dobe izdelka upoštevajte lokalne zahteve.

### Varnost

NE ZAVRZITE – POSREDUJTE UPORABNIKU

#### ⚠ OPOZORILO Preberite vsa varnostna opozorila, navodila, ilustracije in specifikacije, ki jih prejmete z izdelkom.

Če navodil, ki so navedena spodaj, ne upoštevate, lahko pride do električnega udara, požara, škode na lastnini in/ali hudih poškodb.

Vsa opozorila in navodila shranite za prihodnjo uporabo.

#### ⚠ OPOZORILO Vedno je treba upoštevati vsa varnostna pravila za namestitev, uporabo in vzdrževanje, ki so skladna z lokalno zakonodajo.

### Izjava o uporabi

- Samo za profesionalno uporabo.
- Tega izdelka in njegovih dodatkov ni dovoljeno spreminjati na noben način.
- Če je izdelek poškodovan, ga ne uporabljajte.
- Če postanejo oznake s podatki o izdelku ali opozorila na nevarnosti, ki so na izdelku, neberljivi ali odpadejo, jih morate takoj zamenjati.
- Izdelek lahko nameščajo, upravljajo in servisirajo samo osebe, usposobljene za tako delo v industrijskem okolju.

### Nameravana uporaba

Sledilnik je zasnovan za namestitev na akumulatorske vijačnike Desoutter EABS (glejte spodnji seznam). Drugačnja uporaba ni dovoljena. Samo za profesionalno uporabo.

Model	Številka dela
EABS8-1500-4S	6151660870
EABS8-1500-4Q	6151660880
EABS12-1100-4S	6151660890
EABS12-1100-10S	6151660900
EABS12-1100-4Q	6151660910
EABS17-800-4S	6151660920
EABS17-800-10S	6151660930
EABS17-800-4Q	6151660940
EABS24-500-10S	6151660950
EABS24-500-4Q	6151660960

Sledilniki se sporazumevajo s sledilnimi osnovami, nameščenimi na delovnih postajah, preko tehnologije ultra širokega pasu UWB (Ultra-Wide Band).

Model	Številka dela
Sledilna osnova	6158133350

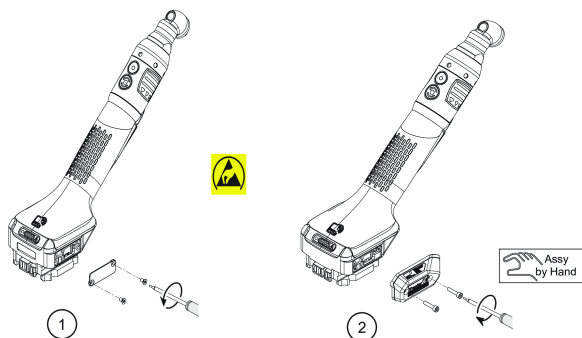
### Navodila, specifična za izdelek

#### Minimalne zahteve glede različic vgrajene ter nameščene programske opreme

Izdelek	Izdaja
EABS	V 6.0.x
CONNECT	V 2.1.5.x
CVI CONFIG	V 2.3.4.x

### Nameščanje sledilnika

Pred sestavljanjem odstranite baterijo.



**⚠ OPOZORILO Tveganje antistatične razelektritve**



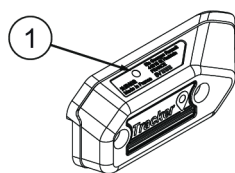
Če se ne ozemljite, obstaja tveganje antistatične razelektritve.

► Nosite zaplestnico proti kopičenju statičnega naboja.

1. Odstranite krovno ploščo.  
Po potrebi jo shranite za kasnejšo uporabo.
2. Sledilnik postavite na mesto.  
Privijte z roko.

**Kako vključiti in omogočiti sledilnik**

Baterijo vstavite v orodje.



- 1 Indikator

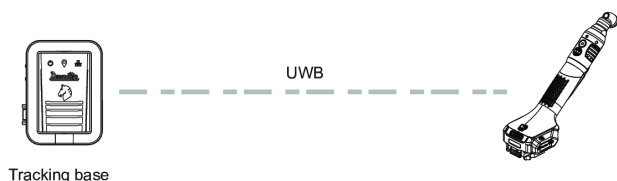
Indikator med zagonom utripa zeleno 5 sekund, kar pomeni, da je napajanje orodja ustrezno.

Če indikator utripa rdeče, na sledilniku ni nameščena strojna programska oprema oz. je ta pokvarjena.

Pojdite v CONNECT, da omogočite sledilnik.

- i** Poglejte v navodila za uporabo sledilne osnove (tiskovina št. 6159925540), ki so na voljo na <https://www.desouttertools.com/resource-centre>.

Sledilnik bo nato komuniciral z namensko sledilno osnovo preko UWB.



Proces nadgradnje strojne programske opreme sledilnika je razložen v naslednjem dokumentu:

- Poglejte v navodila za uporabo sledilne osnove (tiskovina št. 6159925540), ki so na voljo na <https://www.desouttertools.com/resource-centre>.
- Tip modela sledilne osnove:

Tip modela sledilne osnove	Indeks serijske številke sledilne osnove	Datum izdelave
Samo CE	4900xxxxxxx do 4903xxxxxxx Od indeksa = 0 do 3	Pred 2021
CE in FCC	4904xxxxxxx in kasnejši Od indeksa = 4	Po 2021

Barva LED	Opis
zeleno - sveti	Komunikacija s sledilno osnovno je vzpostavljena.
rdeča - sveti	Komunikacija s sledilno osnovno ni vzpostavljena.
modra - sveti	Sledilna osnova ni povezana oz. je sledilnik ne vidi.

**Varnostna navodila**

Preberite varnostne informacije v vodniku 6159925210, dobavljenem z orodjem oz. na voljo na <https://www.desouttertools.com/resource-centre>.

**Koristne informacije**

**Spletno mesto**

Informacije o naših izdelkih, dodatni opremi, nadomestnih delih in objavljenih publikacijah lahko najdete na spletni strani Desoutter.

Prosimo, obiščite: [www.desouttertools.com](http://www.desouttertools.com).

**Podatki o priročnikih za namestitev**

Podrobni priročniki za uporabo, namestitev in nadgradnjo so na voljo na <https://www.desouttertools.com/resource-centre>.

**Podatki o nadomestnih delih**

Slike z razstavljenim pogledom in sezname nadomestnih delov so na voljo na povezavi do storitev na naslovu [www.desouttertools.com](http://www.desouttertools.com).

**Država izvora**

France

**Varnostni listi MSDS/SDS**

Varnostni listi opisujejo kemične izdelke, ki jih prodaja družba Desoutter.

Prosimo, za več informacij pogledajte na spletno stran družbe Desoutter <https://www.desouttertools.com/legal/sds>.

## Safety Information

### Avtorske pravice

© Avtorske pravice 2022, Ets Georges Renault, 38 rue Bobby Sands, 44818 Saint Herblain, France

Vse pravice pridržane. Vsaka nepooblaščen uporaba ali razmnoževanje vsebine ali delov vsebine je prepovedano. To še posebej velja za blagovne znamke, označbe modelov, številke delov in slike. Uporabite samo pooblaščen dele. Garancija ali jamstvo za izdelke ne krije nobenih poškodb ali nepravilnega delovanja, ki ga povzroči uporaba nepooblaščenih delov.

### Date tehnice

#### Date tehnice

#### Sursa de alimentare

Alimentat de la unecaltă (5 V)

#### Consumul de curent

2,5 W

#### Greutatea

0,02 kg  
0,044 lb

#### Condițiile de depozitare și utilizare

Temperatura de depozitare	De la -20 la +70 °C (de la -4 la +158 F)
Temperatura de funcționare	De la 0 la 45 °C (de la 32 la 113 F)
Umiditatea la depozitare	0-95 % RH (fără condensare)
Umiditatea la funcționare	0-90 % RH (fără condensare)
Altitudine de până la	2000 m (6562 picioare)
Utilizabil într-un mediu cu gradul 2 de poluare	
Doar pentru utilizare la interior	

#### Specificații privind comunicarea wireless

<b>Canal</b>	<b>1</b>
Frecvență centrală (MHz)	3494,4
Frecvență (MHz) *	3244,8 – 3744
Lățime de bandă (MHz) *	499,2
Valoarea max. a puterii de vârf (dBm)	< 0
Țări autorizate **	SUA

<b>Canal</b>	<b>2 (implicit)</b>
Frecvență centrală (MHz)	3993,6
Frecvență (MHz) *	3774 – 4243,2
Lățime de bandă (MHz) *	499,2
Valoarea max. a puterii de vârf (dBm)	< 0

Țări autorizate **	Europa, SUA
<b>Canal</b>	<b>3</b>
Frecvență centrală (MHz)	4492,8
Frecvență (MHz) *	4243,2 – 4742,4
Lățime de bandă (MHz) *	499,2
Valoarea max. a puterii de vârf (dBm)	< 0
Țări autorizate **	Europa, SUA

<b>Canal</b>	<b>4</b>
Frecvență centrală (MHz)	3993,6
Frecvență (MHz) *	3228 – 4659,2
Lățime de bandă (MHz) *	1331,2
Valoarea max. a puterii de vârf (dBm)	< 0
Țări autorizate **	Europa, SUA

<b>Canal</b>	<b>5</b>
Frecvență centrală (MHz)	6489,6
Frecvență (MHz) *	6240 – 6739,2
Lățime de bandă (MHz) *	499,2
Valoarea max. a puterii de vârf (dBm)	< 0
Țări autorizate **	Europa, SUA

<b>Canal</b>	<b>7</b>
Frecvență centrală (MHz)	6489,6
Frecvență (MHz) *	5980,3 – 6998,9
Lățime de bandă (MHz) *	1081,6
Valoarea max. a puterii de vârf (dBm)	< 0
Țări autorizate **	SUA

\*: conform cu UWB IEEE802.15.4-2011

\*\* : înainte de utilizare, rețineți că Dispozitivul de urmărire trebuie configurat pentru a fi conform cu reglementările locale. Unele canale pot fi interzise pe plan local. Pentru informații suplimentare, adresați-vă reprezentantului Desoutter.

Pot apărea interferențe între dispozitivele care folosesc sistemul UWB (IEEE 802.14.5). Se pot lua anumite măsuri de ameliorare pentru a evita sau reduce aceste interferențe, cum ar fi:

- Reducerea Acoperirii radio max. de la Baza de urmărire cu CVI Monitor
- Creșterea distanței dintre dispozitive



## Declarații

### DECLARAȚIE DE CONFORMITATE PENTRU UE

Noi, **Ets Georges Renault**, 38 rue Bobby Sands, 44818 Saint Herblain, France, declarăm pe propria răspundere că produsul (cu denumirea, tipul și numărul de serie - vezi prima pagină) este conform cu următoarea Directivă / următoarele Directive:

**2011/65/EU, 2014/53/EU**

Standarde armonizate aplicate:

**EN 62841-2-2:2014+C1:2016; EN 62311: 2008; EN 302 065-2 v2.1.1; EN 301 489-33 v2.2.1; EN 301 489-1 v2.2.3; EN 61000-6-2:2019**

Autoritățile pot solicita informații tehnice core-spunzătoare de la:

Pascal ROUSSY, R&D Manager, 38 rue Bobby Sands, 44818 Saint Herblain, France

**Saint Herblain, 2022/07/04**

**Pascal ROUSSY, R&D Manager**

**Examinarea tip UE**

Organismul notificat **EMITECH** cu numărul de identificare **0536** a realizat evaluarea conformității documentației tehnice în conformitate cu procedura din Anexa III (Modulul B) al Directivei 2014/53/UE și a emis certificatul tip UE de examinare cu nr. **21-I037\_C**.

## DEEE

Informații referitoare la **deșeurile de echipamente electrice și electronice (DEEE)**:

Acest produs și informațiile sale îndeplinesc cerințele directivei/regulamentelor privind DEEE (2012/19/EU) și trebuie tratate în conformitate cu acestea.

Acest produs este marcat cu următorul simbol:



Produsele marcate cu simbolul unui tomberon pe roți barat și o singură linie neagră dedesubt conțin piese care trebuie gestionate conform cu directiva/regulamentele privind DEEE. Produsul integral sau componentele DEEE pot fi trimise la departamentul pentru relații cu clienții în vederea gestionării.

## Cerințe regionale

### ⚠️ AVERTISMENT

Acest produs vă poate expune la substanțe chimice, inclusiv plumb, care este cunoscut Statului California ca fiind cauzator de cancer și de defecte la naștere sau de alte efecte nocive asupra funcției de reproducere. Pentru mai multe informații, accesați

<https://www.p65warnings.ca.gov/>



## Informații referitoare la Articolul 33 din REACH

Regulamentul European (UE) Nr. 1907/2006 privind Înregistrarea, Evaluarea, Autorizarea și restricționarea Substanțelor chimice (REACH) definește, printre altele, cerințele privind comunicarea din lanțul de aprovizionare. Cerința privind informarea se aplică și la produsele care conțin așa numitele Substanțe care prezintă motive de îngrijorare deosebită („Listă a substanțelor identificate în vederea unei eventuale includeri în procedura de autorizare”). Pe 27 iunie 2018 plumbul metal (CAS nr 7439-92-1) a fost adăugat la Lista substanțelor identificate în vederea unei eventuale includeri în procedura de autorizare.

Urmare a celor de mai sus, prin prezenta vă informăm că anumite componente electrice și mecanice din acest produs pot conține plumb metal. Aceasta este în conformitate cu legislația curentă privind restricția substanțelor și în baza excepțiilor legitime din Directiva RoHS (2011/65/UE). Plumbul metal nu se va scurge sau va suferi mutații din produs în timpul utilizării normale, concentrația de plumb metal din produsul finit este mult sub limitele prevăzute. Să aveți în vedere cerințele locale privind eliminarea plumbului la încheierea duratei de exploatare a produsului.

## Siguranța

**A NU SE ARUNCA - A SE PREDĂ UTILIZATORULUI**

⚠️ **AVERTISMENT** Citiți toate avertismentele, instrucțiunile, ilustrațiile și specificațiile furnizate împreună cu produsul.

În cazul nerespectării tuturor instrucțiunilor de mai jos, este posibilă producerea unei electrocutări, unui incendiu, unor daune asupra proprietății și/sau a unei vătămări grave.

**Păstrați toate avertismentele și instrucțiunile pentru consultări ulterioare.**

⚠️ **AVERTISMENT** Trebuie respectate permanent toate reglementările de siguranță din legislația locală privind instalarea, utilizarea și întreținerea.

## Declarație privind utilizarea

- Exclusiv pentru utilizarea profesională.
- Acest produs și accesoriile sale nu trebuie modificate în niciun fel.
- Nu utilizați acest produs dacă este deteriorată.
- În cazul în care datele produsului sau etichetele de avertizare la pericole de pe acesta devin ilizibile sau se detașează, înlocuiți-le imediat.
- Produsul trebuie instalat, utilizat și întreținut exclusiv de către personalul calificat, într-un mediu industrial.

## Destinația de utilizare

Dispozitivul de urmărire este conceput pentru instalarea pe mașinile de înșurubat piulițe fără cablu Desoutter EABS (consultați lista de mai jos). Nu este permisă nicio altă utilizare. Exclusiv pentru uz profesional.

## Safety Information

Model	Număr de piesă
EABS8-1500-4S	6151660870
EABS8-1500-4Q	6151660880
EABS12-1100-4S	6151660890
EABS12-1100-10S	6151660900
EABS12-1100-4Q	6151660910
EABS17-800-4S	6151660920
EABS17-800-10S	6151660930
EABS17-800-4Q	6151660940
EABS24-500-10S	6151660950
EABS24-500-4Q	6151660960

Dispozitivele de urmărire comunică cu bazele de urmărire instalate pe stațiile de lucru folosind tehnologia UWB (Ultra-Wide Band - Bandă ultra largă).

Model	Număr de piesă
Bază de urmărire	6158133350

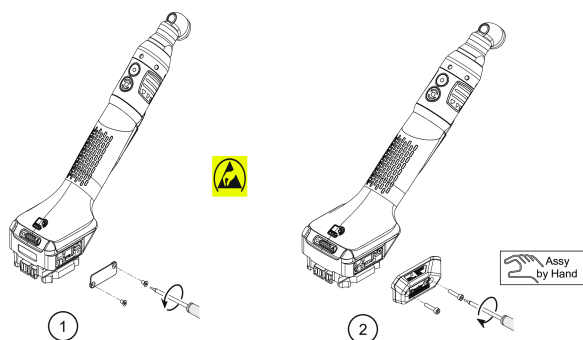
## Instrucțiuni specifice produsului

### Versiunile firmware și software minime

Produs	Versiunile
EABS	V 6.0.x
CONNECT	V 2.1.5.x
CVI CONFIG	V 2.3.4.x

## Instalarea dispozitivului de urmărire

Scoateți acumulatorul înainte de asamblare.



### ⚠️ AVERTISMENT Pericol de descărcări electrostatice



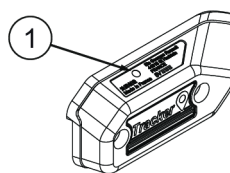
Există pericol de descărcări electrostatice dacă nu vă legați la masă.

- Purtați o brățară antistatică.

1. Scoateți capacul.  
Păstrați-l pentru o utilizare ulterioară în caz de nevoie.
2. Puneți dispozitivul de urmărire pe poziție.  
Strângeți cu mâna.

## Cum să porniți și să activați dispozitivul de urmărire

Conectați un acumulator la unealtă.



- 1 Indicator

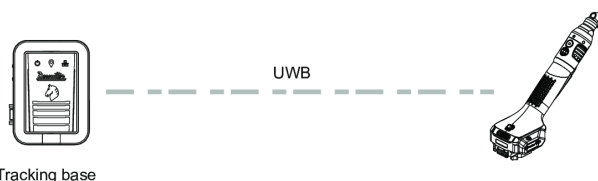
Indicatorul clipește verde 5 secunde în timpul pornirii pentru a indica furnizarea corectă a alimentării cu energie electrică de către unealtă.

Dacă indicatorul clipește roșu, înseamnă că nu există firmware sau s-a instalat firmware corupt pe dispozitivul de urmărire.

Mergeți la CONNECT pentru a activa dispozitivul de urmărire.

- ⓘ Consultați Instrucțiunile produsului pentru Baza de urmărire (material tipărit nr. 6159925540) disponibil la <https://www.desouttertools.com/resource-centre>.

Apoi, dispozitivul de urmărire va comunica cu baza de urmărire dedicată prin UWB.



Procesul de upgrade la firmware-ul dispozitivului de urmărire este explicat în următorul document:

- Consultați Instrucțiunile produsului pentru Baza de urmărire (material tipărit nr. 6159925540) disponibil la <https://www.desouttertools.com/resource-centre>.
- Tipul de model de bază de urmărire:

Modelul tipului de bază de urmărire	Indexul numărului de serie de bază de urmărire		Data producției
	bază de urmărire	bază de urmărire	
Exclusiv CE	4900xxxxxxx la	4903xxxxxxx De la index = 0 la 3	Înainte de 2021
CE și FCC	4904xxxxxxx și	mai târziu De la index = 4	După 2021

Culoare LED	Descriere
verde - constant	S-a stabilit comunicarea cu baza de urmărire.
roșu - constant	Nu s-a stabilit comunicarea cu baza de urmărire.

Culoare LED	Descriere
albastru - constant	Baza de urmărire este deconectată sau nu este văzută de dispozitivul de urmărire.

### Instrucțiuni privind siguranța

Citiți Informațiile privind siguranța cu referința 6159925210 care au fost livrate împreună cu unealta sau sunt disponibile la <https://www.desouttertools.com/resource-centre>.

### Informații utile

#### Site web

Informațiile referitoare la Produsele, Accesoriiile, Piese de schimb și Publicațiile noastre se găsesc pe site-ul web Desoutter.

Vă rugăm să vizitați: [www.desouttertools.com](http://www.desouttertools.com).

#### Informații privind manualele de instalare

Instrucțiunile detaliate de utilizare, instalare și manualele de upgrade sunt disponibile la <https://www.desouttertools.com/resource-centre>.

#### Informații privind piesele de schimb

Imagini descompuse și liste de piese de schimb sunt disponibile în Service Link la [www.desouttertools.com](http://www.desouttertools.com).

#### Țara de origine

France

#### Fișe tehnice de securitate MSDS/SDS

Fișele tehnice de securitate descriu produsele chimice vândute de Desoutter.

Pentru mai multe informații, consultați site-ul web Desoutter <https://www.desouttertools.com/legal/sds>.

#### Drepturi de autor

© Copyright 2022, Ets Georges Renault, 38 rue Bobby Sands, 44818 Saint Herblain, France

Toate drepturile rezervate. Este interzisă utilizarea sau copierea integrală sau parțială a conținutului. Acest lucru este valabil pentru mărcile comerciale, denumirile modelelor, numerele componentelor și schițe. A se utiliza exclusiv piese autorizate. Eventualele deteriorări sau defecțiuni cauzate prin utilizarea de piese neautorizate nu este acoperită de garanție nici de certificatul de conformitate.

## Teknik Veriler

### Teknik veriler

#### Güç kaynağı

Alet tarafından beslenir (5 V)

#### Güç tüketimi

2,5 W

#### Ağırlık

0,02 kg

0,044 lb

### Saklama ve kullanım koşulları

Saklama sıcaklığı	-20 ~ +70 °C (-4 ~ +158 F)
Çalıştırma sıcaklığı	0 ~ 45 °C (32 ~ 113 F)
Saklama nemi	%0-95 bağıl nem (yoğuşmasız)
Çalıştırma nemi	%0-90 bağıl nem (yoğuşmasız)
Azami rakım	2000 m (6562 feet)
Kirlilik derecesi 2 olan ortamda kullanılabilir	
Sadece kapalı mekanda kullanım için	

### Kablosuz iletişim özellikleri

<b>Kanal</b>	<b>1</b>
Merkez Frekans (MHz)	3494,4
Frekans (MHz) *	3244.8 – 3744
Bant genişliği (MHz) *	499,2
Azami gücün maksimum değeri (dBm)	< 0
Yetkili ülkeler **	ABD

<b>Kanal</b>	<b>2 (varsayılan)</b>
Merkez Frekans (MHz)	3993,6
Frekans (MHz) *	3774 – 4243,2
Bant genişliği (MHz) *	499,2
Azami gücün maksimum değeri (dBm)	< 0
Yetkili ülkeler **	Avrupa, ABD

<b>Kanal</b>	<b>3</b>
Merkez Frekans (MHz)	4492,8
Frekans (MHz) *	4243.2 – 4742,4
Bant genişliği (MHz) *	499,2
Azami gücün maksimum değeri (dBm)	< 0
Yetkili ülkeler **	Avrupa, ABD

## Safety Information

<b>Kanal</b>	<b>4</b>
Merkez Frekansı (MHz)	3993,6
Frekans (MHz) *	3228 – 4659,2
Bant genişliği (MHz) *	1331,2
Azami gücün maksimum değeri (dBm)	< 0
Yetkili ülkeler **	Avrupa, ABD

<b>Kanal</b>	<b>5</b>
Merkez Frekansı (MHz)	6489,6
Frekans (MHz) *	6240 – 6739,2
Bant genişliği (MHz) *	499,2
Azami gücün maksimum değeri (dBm)	< 0
Yetkili ülkeler **	Avrupa, ABD

<b>Kanal</b>	<b>7</b>
Merkez Frekansı (MHz)	6489,6
Frekans (MHz) *	5980.3 – 6998,9
Bant genişliği (MHz) *	1081,6
Azami gücün maksimum değeri (dBm)	< 0
Yetkili ülkeler **	ABD

\*: UWB IEEE802.15.4-2011'e göre

\*\* : kullanmadan önce, İzleyicinin yerel düzenlemelere uygun olacak şekilde ayarlanması gerektiğini unutmayın. Bazı kanallar yerel olarak yasaklanmış olabilir. Daha fazla bilgi için Desoutter temsilcinizle iletişime geçin.

UWB sistemi (IEEE 802.14.5) kullanan cihazlar arasında parazitler meydana gelebilir. Bu parazitleri önlemek veya azaltmak için alınabilecek bazı önlemler:

- CVI Monitor ile İzleme Tabanından Maksimum Radyo Kapsamını azaltın
- Cihazlar arasındaki mesafeyi artırın

## Beyanlar

### AB UYGUNLUK BEYANI

Biz, **Ets Georges Renault**, 38 rue Bobby Sands, 44818 Saint Herblain, France tamamen kendi sorumluluğumuz altında, ürünün (adı, tipi ve seri numarası ile, ön sayfaya bakınız) aşağıdaki Direktif(ler)e uygun olduğunu beyan ederiz:

**2011/65/EU, 2014/53/EU**

Geçerli dengelenmiş standartlar:

**EN 62841-2-2:2014+C1:2016; EN 62311: 2008; EN 302 065-2 v2.1.1; EN 301 489-33 v2.2.1; EN 301 489-1 v2.2.3; EN 61000-6-2:2019**



Yetkililer ilgili teknik bilgileri şuradan talep edebilirler:

Pascal ROUSSY, R&D Manager, 38 rue Bobby Sands, 44818 Saint Herblain, France

**Saint Herblain, 2022/07/04**

**Pascal ROUSSY, R&D Manager**

### AB tipi İnceleme

**0536** kimlik numaralı onaylanmış kuruluş **EMITECH**, 2014/53/UE sayılı Direktifin Ek III (Modül B) prosedürüne göre teknik dokümantasyonun uygunluk değerlendirmesini gerçekleştirmiş ve **21-I037\_C** AB tipi inceleme sertifikasını düzenlemiştir.

### WEEE

**Atık Elektrikli ve Elektronik Ekipman (WEEE)** ile ilgili bilgiler:

Bu ürün ve bilgileri, WEEE Direktifi/yönetmelikleri (2012/19/EU) gerekliliklerini karşılamaktadır ve direktife uygun şekilde kullanılmalıdır.

Ürün şu sembol ile işaretlenmiştir:



Üzerinde çarpı işareti bulunan tekerlekli çöp kutusu sembolü ve altında tek bir siyah çubuk bulunan ürünler, WEEE Direktifine/yönetmeliklerine uygun olarak müdahale edilmesi gereken parçalar içerir. Tüm ürün veya WEEE parçaları, müdahale için "Müşteri Merkezi"ne gönderilebilir.

### Bölgesel Gereklilikler

#### ⚠ UYARI

Bu ürün Kaliforniya eyaleti tarafından kansere ve doğum kusurlarına veya diğer üreme rahatsızlıklarına neden olduğu bilinen kurşun dahil olmak üzere çeşitli kimyasallara maruz kalmanıza neden olabilir. Daha fazla bilgi için <https://www.p65warnings.ca.gov/> adresini ziyaret edin

<https://www.p65warnings.ca.gov/>

### REACH Madde 33 ile ilgili bilgiler

Kimyasalların Tescili, Değerlendirilmesi, İzni ve Kısıtlanması (REACH) ile ilgili 1907/2006 sayılı Avrupa Yönetmeliği (AB), tedarik zincirinde iletişim ile ilgili diğer gereklilikleri tanımlamaktadır. Bilgi gereklilikleri ayrıca Çok Yüksek Endişe Verici Maddeler ("Aday Listesi") içeren ürünler için de geçerlidir. 27 Haziran 2018 tarihinde Aday Listesine kurşun metali (CAS No. 7439-92-1) eklenmiştir.

Yukarıdaki bilgilere göre bu, üründeki belirli elektrikli ve mekanik bileşenlerin kurşun metali içerebileceğini bildirmektir. Bu, yürürlükteki madde kısıtlama mevzuatına uygundur ve RoHS Yönergesindeki (2011/65/EU) yasal muafiyetlere dayanmaktadır. Kurşun metali normal kullanım sırasında üründen sızıntı yapmaz veya mutasyona uğramaz ve tüm üründeki kurşun metali konsantrasyonu geçerli eşik

sınırının oldukça altındadır. Lütfen ürünün kullanım ömrü sonunda kurşunu bertarafı konusunda ilgili yerel gereklilikleri dikkate alın.

## Güvenlik

ATMAYIN - KULLANICIYA VERİN

**⚠ UYARI Bu ürünle birlikte verilen tüm güvenlik uyarılarını, talimatları, gösterimleri ve spesifikasyonları okuyun.**

Aşağıda belirtilen tüm talimatlara uymamak, elektrik çarpmasına, yangına, maddi zarara ve/veya ciddi kişisel yaralanmaya yol açabilir.

**Bütün uyarıları ve talimatları ileride kullanmak için saklayın.**

**⚠ UYARI Kurulum, kullanım ve bakıma ilişkin tüm yerel güvenlik kurallarına her zaman uyulmalıdır.**

### Kullanım Beyanı

- Sadece profesyonel kullanım içindir.
- Bu ürün ve parçalarının hiçbir şekilde tadil edilmemesi gerekir.
- Bu ürün hasar görmüşse kullanmayın.
- Ürün verileri veya tehlike uyarı işaretleri okunamaz hale gelirse veya sökülürse, zaman kaybetmeden yenileyin.
- Ürün endüstriyel bir ortamda sadece nitelikli personel tarafından kurulmalı, çalıştırılmalı ve servisi yapılmalıdır.

### Kullanım amacı

Takipçi, Desoutter EABS kablosuz somun sıkma aletlerine yüklenecek şekilde tasarlanmıştır (aşağıdaki listeye bakınız). Diğer her türlü kullanımı yasaktır. Sadece profesyonel kullanım içindir.

Model	Parça numarası
EABS8-1500-4S	6151660870
EABS8-1500-4Q	6151660880
EABS12-1100-4S	6151660890
EABS12-1100-10S	6151660900
EABS12-1100-4Q	6151660910
EABS17-800-4S	6151660920
EABS17-800-10S	6151660930
EABS17-800-4Q	6151660940
EABS24-500-10S	6151660950
EABS24-500-4Q	6151660960

Takipçiler, iş istasyonlarına yüklenmiş takip tabanlarıyla UWB (Ultra Geniş Bant) teknolojisi sayesinde iletişim kurar.

Model	Parça numarası
Takip tabanı	6158133350

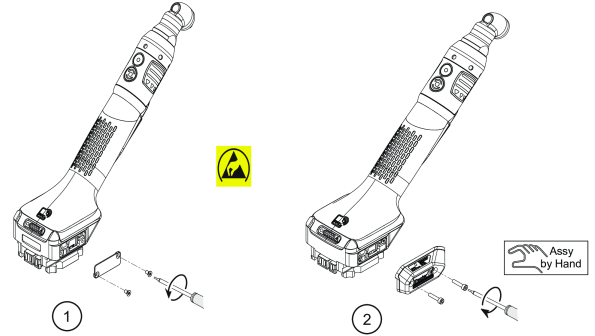
## Ürüne Özel Talimatlar

### Minimum donanım yazılımı ve yazılım sürümleri

Ürün	Sürüm
EABS	V 6.0.x
CONNECT	V 2.1.5.x
CVI CONFIG	V 2.3.4.x

### Takipçinin yüklenmesi

Montajdan önce pil paketini çıkarın.



### ⚠ UYARI Antistatik Deşarj Riski



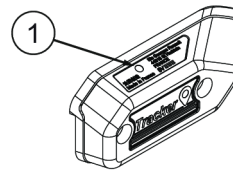
Kendinizi topraklamazsanız, antistatik deşarj riski söz konusudur.

► Antistatik bilek bandı takın.

1. Kapak plakasını çıkarın. Gerekirse, daha sonra kullanmak üzere saklayın.
2. Takipçiyi yerine yerleştirin. Elle sıkın.

### Takipçi nasıl açılır ve etkinleştirilir

Bir pil paketini alete takın.



- 1 Gösterge

Gösterge, başlatma sırasında 5 saniye yanıp sönmek alet tarafından doğru şekilde güç beslendiğini gösterir.

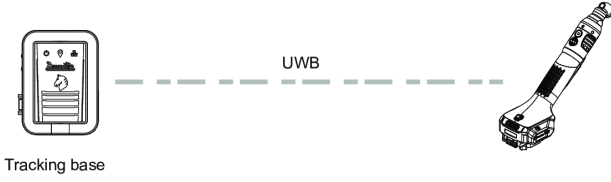
Gösterge kırmızı renkte yanıp sönerse, izleyiciye hiçbir yazılım yüklenmemiş veya bozuk yazılım yüklenmiş demektir.

İzleyiciyi etkinleştirmek için CONNECT'e gidin.

- ⓘ <https://www.desouttertools.com/resource-centre> adresinde bulunan İzleme tabanının (basılı materyal No. 6159925540) Ürün Talimatlarına bakın.

## Safety Information

İzleyici daha sonra UWB aracılığıyla özel izleme tabanıyla iletişim kuracaktır.



İzleyici ürün yazılımı yükseltme işlemi aşağıdaki belgede açıklanmıştır:

- <https://www.desouttertools.com/resource-centre> adresinde bulunan İzleme tabanının (basılı materyal No. 6159925540) Ürün Talimatlarına bakın.
- İzleme tabanı model türü:

İzleme tabanı tip modeli	İzleme tabanı seri numarası dizini	Üretim tarihi
Sadece CE	4900xxxxxxx - 4903xxxxxxx Dizinden = 0 - 3	2021'den önce
CE ve FCC	4904xxxxxxx ve sonrası Dizinden = 4	2021'den sonra

LED rengi	Açıklama
yeşil - sabit	İzleme tabanı ile iletişim kuruldu.
kırmızı - sabit	İzleme tabanı ile iletişim kurulmadı.
mavi - sabit	İzleme tabanı bağlantısı kesildi veya İzleyiciden görünmüyor.

## Güvenlik talimatları

Aletle birlikte verilen veya <https://www.desouttertools.com/resource-centre> adresinde bulunan 6159925210 numaralı Güvenlik Bilgilerini okuyun.

## Faydalı Bilgiler

### Web sitesi

Ürünlerimiz, Aksesuarlarımız, Yedek Parçalarımız ve Yayınlanmış Makalelerimizle ilgili bilgileri Desoutter web sitesinde bulabilirsiniz.

Lütfen ziyaret edin: [www.desouttertools.com](http://www.desouttertools.com).

### Kurulum kılavuzları hakkındaki bilgiler

Detaylı çalışma talimatları, kurulum ve güncelleme kılavuzları <https://www.desouttertools.com/resource-centre> adresinde bulunabilir.

## Yedek parçalar hakkındaki bilgiler

Yakınlaştırılmış görünüm ve yedek parça listeleri için [www.desouttertools.com](http://www.desouttertools.com) adresindeki Servis Bağlantısına bakın.

## Menşei ülke

France

## Güvenlik Veri Sayfaları MSDS/SDS

Güvenlik Bilgi Formları Desoutter tarafından satılan kimyasal ürünleri tanımlamaktadır.

Daha fazla bilgi için lütfen Desoutter web sitesini <https://www.desouttertools.com/legal/sds> ziyaret edin.

## Telif Hakkı

© Telif hakkı 2022, Ets Georges Renault, 38 rue Bobby Sands, 44818 Saint Herblain, France

Tüm hakları saklıdır. İçeriğin veya bir kısmının her türlü yetkisiz kullanımı veya kopyalaması yasaktır. Bu özellikle ticari markalar, model adları, parça numaraları ve çizimler için geçerlidir. Sadece yetkili parçaları kullanın. Onaylanmamış parçaların kullanımı nedeniyle oluşan zararlar veya arızalar Garanti veya Ürün Sorumluluğu kapsamına girmez.

## Технически данни

### Технически данни

### Електрическо захранване

Захранване от инструмента (5 V)

### Консумация на електроенергия

2,5 W

### Тегло

0,02 kg

0,044 паунда

### Условия на съхранение и употреба

Температура на съхранение -20 до +70 °C (-4 до +158 F)

Работна температура 0 до 45 °C (32 до 113 F)

Влажност на съхранение 0-95 % RH (относителна влажност)  
(некондензираща)

Работна влажност 0-90 % RH (относителна влажност)  
(некондензираща)

Надморска височина до 2000 m (6562 фута)

За употреба в среда със замърсяване 2. степен

Употреба само в помещения

## Спецификации за безжична комуникация

<b>Channel (Канал)</b>	<b>1</b>
Централна честота (MHz)	3494,4
Честота (MHz) *	3244,8 – 3744
Честотна лента (MHz) *	499,2
Макс. стойност на върховата мощност (dBm) (децибел-миливат)	< 0
Оторизирани страни **	САЩ

<b>Channel (Канал)</b>	<b>2 (по подразбиране)</b>
Централна честота (MHz)	3993,6
Честота (MHz) *	3774 – 4243,2
Честотна лента (MHz) *	499,2
Макс. стойност на върховата мощност (dBm) (децибел-миливат)	< 0
Оторизирани страни **	Европа, САЩ

<b>Channel (Канал)</b>	<b>3</b>
Централна честота (MHz)	4492,8
Честота (MHz) *	4243,2 – 4742,4
Честотна лента (MHz) *	499,2
Макс. стойност на върховата мощност (dBm) (децибел-миливат)	< 0
Оторизирани страни **	Европа, САЩ

<b>Channel (Канал)</b>	<b>4</b>
Централна честота (MHz)	3993,6
Честота (MHz) *	3228 – 4659,2
Честотна лента (MHz) *	1331,2
Макс. стойност на върховата мощност (dBm) (децибел-миливат)	< 0
Оторизирани страни **	Европа, САЩ

<b>Channel (Канал)</b>	<b>5</b>
Централна честота (MHz)	6489,6
Честота (MHz) *	6240 – 6739,2
Честотна лента (MHz) *	499,2
Макс. стойност на върховата мощност (dBm) (децибел-миливат)	< 0
Оторизирани страни **	Европа, САЩ

<b>Channel (Канал)</b>	<b>7</b>
Централна честота (MHz)	6489,6
Честота (MHz) *	5980,3 – 6998,9
Честотна лента (MHz) *	1081,6

Макс. стойност на върховата мощност (dBm) (децибел-миливат)	< 0
Оторизирани страни **	САЩ

\*: съгласно UWB IEEE802.15.4-2011

\*\* : преди употреба обърнете внимание на това, че следящата система трябва да се настрои така, че да отговаря на местните разпоредби. Някои канали може да са забранени на местно ниво. Свържете се с вашия представител на Desoutter за допълнителна информация.

Възможно е да се появят смущения между устройства, които използват свръхшироколентови системи (IEEE 802.14.5). Може да се приложат някои мерки за смекчаване с цел избягване или намаляване на тези смущения като например:

- Намаляване на максималното радиопокритие от следящата база със CVI Monitor
- Увеличаване на разстоянието между устройствата

## Декларации

### ЕС ДЕКЛАРАЦИЯ ЗА СЪОТВЕТСТВИЕ

Ние, Ets Georges Renault, 38 rue Bobby Sands, 44818 Saint Herblain, France, декларираме на своя лична отговорност, че този продукт (с наименование, тип и сериен номер, вижте предната страница) е в съответствие със следната(ите) Директива(и):

**2011/65/EU, 2014/53/EU**

Приложени хармонизирани стандарти: EN 62841-2-2:2014+C1:2016; EN 62311: 2008; EN 302 065-2 v2.1.1; EN 301 489-33 v2.2.1; EN 301 489-1 v2.2.3; EN 61000-6-2:2019

Властите могат да поискат съответната техническа информация от: Pascal ROUSSY, R&D Manager, 38 rue Bobby Sands, 44818 Saint Herblain, France

**Saint Herblain, 2022/07/04**

**Pascal ROUSSY, R&D Manager**

**ЕС изследване на типа**

Нотифицираният орган EMITECH с идентификационен номер 0536 е извършил оценка за съответствие на техническата документация съгласно процедурата на Приложение III (модул В) на Директива 2014/53/ЕС и е издал сертификат за ЕС изследване на типа №21-1037\_C.

### WEEE

Информация относно **Излязло от употреба електрическо и електронно оборудване (ИУЕЕО)**: Настоящият продукт и информацията за него отговарят на изискванията на Директивата/предписанията за ИУЕЕО (2012/19/EU), и с него трябва да се борави в съответствие със същата Директива/предписания.

## Safety Information

Продуктът е маркиран със следния символ:



Продукти, маркирани със зачеркната с кръст кофа за отпадъци на колела и единична черна линия под нея, съдържат части, с които трябва да се борави в съответствие с Директивата/предписанията за ИУЕЕО. Целият продукт или ИУЕЕО частите могат да бъдат изпратени до вашия “Център за обслужване на клиенти” за обработка.

### Регионални изисквания

#### ⚠ ПРЕДУПРЕЖДЕНИЕ

Този продукт може да ви изложи на контакт с химикали, включително олово, за което в щата Калифорния е известно, че причинява рак и вродени малформации или други вреди по отношение на възпроизводителната способност. За допълнителна информация посетете

<https://www.p65warnings.ca.gov/>

### Информация във връзка с чл. 33 от REACH (Регламент относно регистрацията, оценката, разрешаването и ограничаването на химикали)

Европейски регламент (ЕС) №1907/2006 относно регистрацията, оценката, разрешаването и ограничаването на химикали (REACH) определя, освен други неща, изискванията, свързани с комуникациите във веригата на доставките. Изискването за информация се отнася също и за продукти, съдържащи т. нар. вещества, пораждащи сериозно безпокойство (“списък на кандидати”). На 27 юни 2018 г. металът олово (CAS № 7439-92-1) беше добавен към списъка на кандидатите.

Във връзка с гореспоменатото бихме искали да ви информираме, че определени електрически и механични компоненти в продукта може да съдържат метала олово. Това е в съответствие с настоящето законодателство за ограничаване на веществата и въз основа на законовите изключения в Директивата за ограничението за употребата на определени опасни вещества в електрическото и електронното оборудване (RoHS) (2011/65/EU). Металът олово няма да изтече от продукта или да се видоизмени в него по време на нормална употреба, и концентрацията на метала олово в цялостния продукт е значително под приложимата прагова стойност. Моля, съобразете се с местните изисквания за изхвърляне на олово при изтичане на годността на продукта.

## Безопасност

НЕ ИЗХВЪРЛЯЙТЕ – ПРЕДАЙТЕ НА ПОТРЕБИТЕЛЯ

⚠ **ПРЕДУПРЕЖДЕНИЕ** Прочетете всички предупреждения за безопасност, инструкции, илюстрации и спецификации, предоставени с този продукт.

Неспазването на всички инструкции посочени по-долу, може да доведе до токов удар, пожар, материални щети и/или сериозни наранявания.

**Запазете всички предупреждения и инструкции за бъдеща справка.**

⚠ **ПРЕДУПРЕЖДЕНИЕ** Трябва да се спазват всички местни законови разпоредби за безопасност относно инсталация, работа и поддръжка.

### Декларация за употреба

- Само за професионална употреба.
- Този продукт и неговите принадлежности не могат да бъдат променяни по какъвто и да е начин.
- Не използвайте този продукт, ако е повреден.
- Ако означенията на данните на продукта или предупрежденията за опасност върху него престанат да бъдат четливи или се откачат, незабавно ги подменете.
- Продуктът трябва да бъде инсталиран, използван и обслужван единствено квалифицирани лица в индустриална среда.

### Предназначение

Следящата система е проектирана за инсталиране към Desoutter EABS безкабелни гаечни ключове (вижте списъка по-долу). Не се разрешава друг вид употреба. Само за професионална употреба.

Модел	Номер на част
EABS8-1500-4S	6151660870
EABS8-1500-4Q	6151660880
EABS12-1100-4S	6151660890
EABS12-1100-10S	6151660900
EABS12-1100-4Q	6151660910
EABS17-800-4S	6151660920
EABS17-800-10S	6151660930
EABS17-800-4Q	6151660940
EABS24-500-10S	6151660950
EABS24-500-4Q	6151660960

Следящите системи комуникират със следящите бази, инсталирани на работните станции чрез UWB (свръхширока лента) технология.

Модел	Номер на част
Следяща база	6158133350



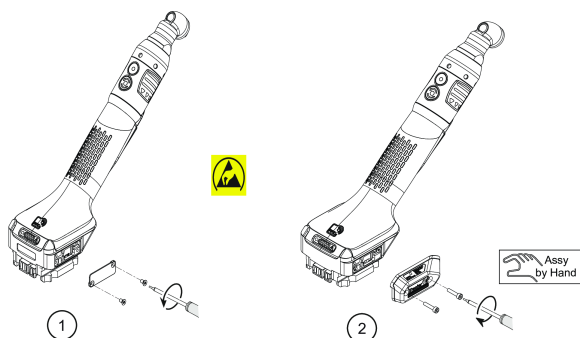
## Инструкции за този продукт

### Минимално базово програмно осигуряване и версии на софтуер

Продукт	Версия
EABS	V 6.0.x
CONNECT	V 2.1.5.x
CVI CONFIG	V 2.3.4.x

### Инсталиране на следящата система

Отстранете пакета батерии преди монтажа.



#### **⚠ ПРЕДУПРЕЖДЕНИЕ** Риск от антистатично излъчване



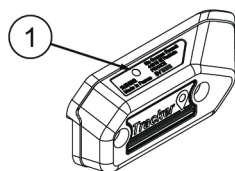
Съществува риск от антистатично излъчване, ако не се вземат.

- ▶ Носете антистатична каишка за китката.

1. Отстранете капака.  
Запазете го за по-нататъшна употреба, ако е необходимо.
2. Поставете следящата система на място.  
Затегнете с ръка.

### Как да включите и задействате следящата система

Включете пакет батерии към инструмента.



- 1 Индикатор

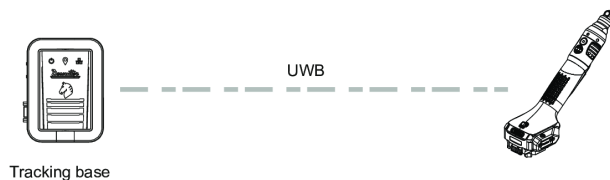
Индикаторът примигва 5 секунди в зелено по време на стартирането, което показва, че инструментът предоставя правилно електрозахранване.

В случай че индикаторът примигва в червено, това означава, че върху следящата система не е инсталиран фърмуер или е инсталиран повреден фърмуер.

Отидете на CONNECT, за да активирате следящата система.

- ⓘ Направете справка с инструкциите за продукта на следящата база (отпечатан материал № 6159925540), наличен на <https://www.desouttertools.com/resource-centre>.

След това следящата система ще се свърже с определената следяща база чрез свръхширококоленовата технология.



Процесът на надграждане на фърмуера на следящата система е обяснен в следния документ:

- Направете справка с инструкциите за продукта на следящата база (отпечатан материал № 6159925540), наличен на <https://www.desouttertools.com/resource-centre>.
- Вид модел на следящата база:

Вид модел на следящата база	Индекс на серийния номер на следящата база	Дата на производство
Само "СЕ"	4900xxxxxxx до 4903xxxxxxx от индекс = 0 до 3	Преди 2021 г.
"СЕ" и Федерална комисия по комуникациите	4904xxxxxxx и по-късно от индекс = 4	След 2021 г.

Цвят на светодиода (LED)	Описание
зелено - постоянно	Установена е връзка със следящата база.
червено - постоянно	Не е установена връзка със следящата база.
синьо - постоянно	Следящата база е изгубила връзката или не се открива от следящата система.

### Инструкции за безопасност

Прочетете инструкциите за безопасност, референция 6159925210, които са част от доставката на инструмента или могат да бъдат намерени на <https://www.desouttertools.com/resource-centre>.

### Полезна информация

#### Уебсайт

Информация относно нашите продукти, аксесоари, резервни части и публикации можете да намерите на уебстраницата на Desoutter.

## Safety Information

Моля, посетете: [www.desouttertools.com](http://www.desouttertools.com).

### Информация свързана с ръководството за монтаж

Подробни инструкции за работа, ръководства за инсталация и модернизиране можете да намерите на <https://www.desouttertools.com/resource-centre>.

### Информация за резервни части

Схематични чертежи и списък с резервните части са на разположение на Линка за Услуги [www.desouttertools.com](http://www.desouttertools.com).

### Произход на продукта

France

### Информационни листи за безопасност MSDS/SDS

Страниците с данните, свързани с безопасността, описват химическите продукти, продавани от Desoutter.

Моля, консултирайте се с уебстраницата на Desoutter за допълнителна информация <https://www.desouttertools.com/legal/sds>.

### Авторско право

© Copyright 2022, Ets Georges Renault, 38 rue Bobby Sands, 44818 Saint Herblain, France

Всички права запазени. Забранява се всяко неразрешено използване или копиране на съдържанието или част от него. Това се отнася в частност за търговски марки, названия на модела, номера на части и чертежи. Използвайте само оригинални резервни части. Повреди или неизправности вследствие на употреба на неоригинални части не се покриват от гаранцията или отговорността за вреди, причинени от продукта.

## Tehnički podaci

### Tehnički podaci

#### Наряжане

Наряжа га alat (5V)

#### Potrošnja struje

2,5 W

#### Težina

0,02 kg  
0,044 lb

#### Uvjeti skladištenja i uporabe

Temperatura skladištenja -20 do +70 °C (-4 do +158 F)

Radna temperatura	0 do 45 °C (32 do 113 F)
Vlažnost skladištenja	0 – 95 % RH (nekondenzirajuće)
Vlažnost u uvjetima rada	0 – 90 % RH (nekondenzirajuće)
Nadmorska visina do	2.000 m (6.562 stope)
Uporabljivo u okruženju	Stupnja zagađenja 2
Samo za uporabu u unutarnjem prostoru	

### Specifikacije bežične komunikacije

<b>kanal</b>	<b>1</b>
Središnja frekvencija (MHz)	3494,4
Frekvencija (MHz) *	3244,8 – 3744
Pojasna širina (MHz) *	499,2
Maks. vrijednost vršne snage (dBm)	< 0
Ovlaštene zemlje **	SAD

<b>kanal</b>	<b>2 (zadana vrijednost)</b>
Središnja frekvencija (MHz)	3993,6
Frekvencija (MHz) *	3774 – 4243,2
Pojasna širina (MHz) *	499,2
Maks. vrijednost vršne snage (dBm)	< 0
Ovlaštene zemlje **	Europa, SAD

<b>kanal</b>	<b>3</b>
Središnja frekvencija (MHz)	4492,8
Frekvencija (MHz) *	4243,2 – 4742,4
Pojasna širina (MHz) *	499,2
Maks. vrijednost vršne snage (dBm)	< 0
Ovlaštene zemlje **	Europa, SAD

<b>kanal</b>	<b>4</b>
Središnja frekvencija (MHz)	3993,6
Frekvencija (MHz) *	3228 – 4659,2
Pojasna širina (MHz) *	1331,2
Maks. vrijednost vršne snage (dBm)	< 0
Ovlaštene zemlje **	Europa, SAD

<b>kanal</b>	<b>5</b>
Središnja frekvencija (MHz)	6489,6
Frekvencija (MHz) *	6240 – 6739,2
Pojasna širina (MHz) *	499,2
Maks. vrijednost vršne snage (dBm)	< 0
Ovlaštene zemlje **	Europa, SAD

kanal	7
Središnja frekvencija (MHz)	6489,6
Frekvencija (MHz) *	5980,3 – 6998,9
Pojasna širina (MHz) *	1081,6
Maks. vrijednost vršne snage (dBm)	< 0
Ovlaštene zemlje **	SAD

\*: u skladu s UWB IEEE802.15.4-2011

\*\* : prije korištenja, imajte na umu da lokator mora biti postavljen tako da bude u skladu s lokalnim propisima. Neki kanali mogu biti zabranjeni lokalno. Za dodatne informacije obratite se zastupništvu tvrtke Desoutter.

Može doći do smetnji između uređaja koji koriste UWB sustav (IEEE 802.14.5) Neke mjere za ublažavanje mogu se koristiti kako bi se izbjegle ili umanjile smetnje kao što su:

- Smanjenje maks. radijske pokrivenosti iz baze lokatora sa CVI nadzorom
- Povećanje udaljenost između uređaja

## Izjave

### EU IZJAVA O SUKLADNOSTI

Mi, **Ets Georges Renault**, 38 rue Bobby Sands, 44818 Saint Herblain, France, izjavljujemo pod vlastitom odgovornošću da je proizvod (naziv, tip i serijski broj, vidi naslovnu stranu) u skladu sa sljedećom(im) direktivom(ama):

**2011/65/EU, 2014/53/EU**

Primijenjene usklađene norme:

**EN 62841-2-2:2014+C1:2016; EN 62311: 2008; EN 302 065-2 v2.1.1; EN 301 489-33 v2.2.1; EN 301 489-1 v2.2.3; EN 61000-6-2:2019**

Nadležna tijela mogu zahtijevati relevantne tehničke podatke od:

Pascal ROUSSY, R&D Manager, 38 rue Bobby Sands, 44818 Saint Herblain, France

Saint Herblain, 2022/07/04

Pascal ROUSSY, R&D Manager

EU-tip ispitivanja

Prijavljeno tijelo **EMITECH** sa identifikacijskim brojem **0536** izvršilo je procjenu sukladnosti tehničke dokumentacije u skladu s postupkom iz Aneksom III (Modul B) Direktive 2014/53/UE i izdalo potvrdu o ispitivanju EU tipa **21-I037\_C**.

### WEEE

Informacije u vezi s **otpadnom električnom i elektroničkom opremom (WEEE)**:

Ovaj proizvod i informacije o njemu u skladu su sa zahtjevima direktive/propisa WEEE (2012/19/EU) i mora se zbrinjavati u skladu s tom direktivom/propisima.

Proizvod je označen sljedećim simbolom:



Proizvodi označeni prekrizanim simbolom kante za smeće podcrtane jednom crnom crtom, sadrže dijelove sa kojima se mora rukovati u skladu sa WEEE direktivom/propisima. Cijeli proizvod ili dijelove označene s WEEE možete poslati u „Servisni centar” na odlaganje.

### Lokalni uvjeti

#### ⚠ POZOR

Ovaj proizvod može vas izložiti kemikalijama, uključujući olovo, a prema državi Kaliforniji, olovo može prouzročiti rak i urođene mane ili druge probleme spolnog sustava. Za više informacija idite na

<https://www.p65warnings.ca.gov/>

### Informacije u vezi sa članom 33 Uredbe REACH

Europska uredba (EU) br. 1907/2006 o Registraciji, evaluaciji, autorizaciji i ograničavanju kemikalija (REACH) između ostalog definira zahtjeve vezane za komunikaciju u lancu opskrbe. Zahtjev za informacijama također se odnosi na proizvode koji sadrže takozvane tvari koje izazivaju veliku zabrinutost ("Popis kandidata"). 27. lipnja 2018. olovo (CAS br. 7439-92-1) je dodato na Popis kandidata.

U skladu s prethodnom napomenom, obavještavam vas da određene električne i mehaničke komponente proizvoda mogu sadržati olovo. Ovo je u skladu s aktualnim propisima o ograničenju tvari i zasniva se na zakonskim izuzećima iz Direktive RoHS (2011/65/EU). Olovo iz proizvoda neće cureti ili mutirati tijekom normalne uporabe a koncentracija olova u gotovom proizvodu je znatno ispod primjenjive granične vrijednosti. Uzmite u obzir lokalne zahtjeve o zbrinjavanju olova na kraju životnog vijeka proizvoda.

### Sigurnost

NE BACAJTE – PREDAJTE KORISNIKU

#### ⚠ POZOR Pročitajte sva sigurnosna upozorenja, sve upute, ilustracije i specifikacije isporučene uz ovaj proizvod.

Ako se ne pridržavate svih dolje navedenih uputa, može doći do strujnog udara, požara, imovinske štete i/ili teške ozljede.

Spremite sva upozorenja i sve upute za buduću uporabu.

#### ⚠ POZOR Uvijek se morate pridržavati lokalnih zakonskih sigurnosnih propisa o ugradnji, radu i održavanju.

### Izjava o uporabi

- Samo za profesionalnu uporabu.

## Safety Information

- Ovaj proizvod i njegov pribor ne smiju se mijenjati ni na koji način.
- Ne upotrebljavajte ovaj proizvod ako je bio oštećen.
- Ako podaci o proizvodu ili znakovi upozorenja o opasnosti na proizvodu više nisu čitljivi ili otpadnu, odmah ih zamijenite.
- Rukovanje proizvodom, te njegovo ugrađivanje i servisiranje je dozvoljeno samo kvalificiranom osoblju u industrijskom okruženju.

## Predviđena namjena

Sistem za praćenje je dizajniran za ugradnju u Desoutter EABS bežične nosače (pogledajte popis u nastavku). Nikakva druga uporaba nije dozvoljena. Samo za profesionalnu uporabu.

Model	Broj dijela
EABS8-1500-4S	6151660870
EABS8-1500-4Q	6151660880
EABS12-1100-4S	6151660890
EABS12-1100-10S	6151660900
EABS12-1100-4Q	6151660910
EABS17-800-4S	6151660920
EABS17-800-10S	6151660930
EABS17-800-4Q	6151660940
EABS24-500-10S	6151660950
EABS24-500-4Q	6151660960

Sistemi za praćenje komuniciraju sa bazama za praćenje ugrađenim u radne stanice putem UWB (ultraširokopojasne) tehnologije.

Model	Broj dijela
Baza za praćenje	6158133350

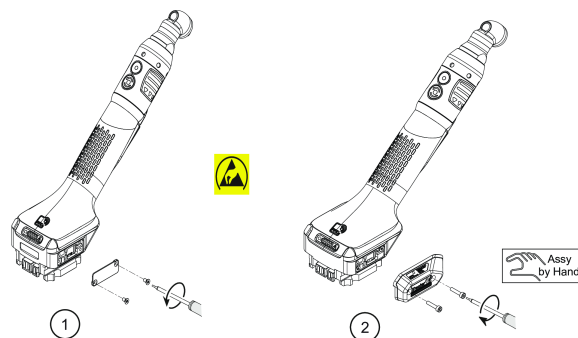
## Upute specifične za proizvod

### Najniža izdanja sklopovsko-programске opreme i programске podrške

Proizvod	Verzija
EABS	V 6.0.x
CONNECT	V 2.1.5.x
CVI CONFIG	V 2.3.4.x

## Ugradnja sistema za praćenje

Izvadite bateriju prije sastavljanja.



### ⚠ POZOR Opasnost od antistatičkog pražnjenja



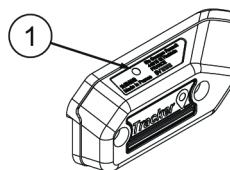
Postoji opasnost od antistatičkog pražnjenja ako se ne uzemljite.

- Nosite antistatičku narukvicu.

1. Skinite poklopac.  
Ako je neophodno spremite ga za kasniju uporabu.
2. Postavite sistem za praćenje na svoje mjesto.  
Zategnite rukom.

## Kako uključiti napajanje sistema za praćenje i pripremiti ga za rad

Utaknite baterijski modul u alat.



- 1 Indikator

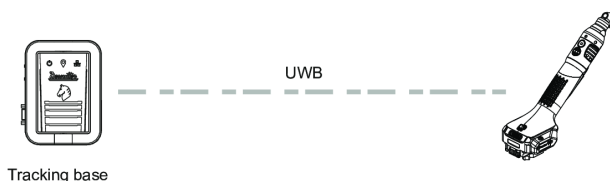
Pokazivač treperi 5 sekundi u zelenoj boji za vrijeme pokretanja prikazujući da alat pravilno isporučuje napajanje.

Ako pokazivač treperi u crvenoj boji, to znači da nema firmver ili je na lokatoru instaliran oštećen firmver.

Za uključivanje lokatora idite na CONNECT.

- ⓘ Pogledajte Upute za proizvod o bazi lokatora (tiskani dokument br. 6159925540) dostupne na <https://www.desouttertools.com/resource-centre>.

Tada će lokator komunicirati sa odgovarajućom bazom lokatora putem UWB-a.



Proces nadogradnje firmvera lokatora je objašnjen unutar sljedećeg dokumenta:

- Pogledajte Upute za proizvod o bazi lokatora (tiskani dokument br. 6159925540) dostupne na <https://www.desouttertools.com/resource-centre>.
- Tip modela baze lokatora:

Model tipa baze lokatora	Kazalo osnovnog serijskog broja baze lokatora	Datum proizvodnje
Samo za CE	Od 4900xxxxxxx do 4903xxxxxxx Iz kazala = 0 do 3	Prije 2021
CE & FCC	4904xxxxxxx i novije Iz kazala = 4	Nakon 2021

Boja LE diode	Opis
zeleno – neprekidno	Komunikacija sa bazom lokatora je uspostavljena.
crveno – neprekidno	Komunikacija sa bazom lokatora nije uspostavljena.
plavo – neprekidno	Prekinuta je komunikacija sa bazom lokatora ili lokatoru nije vidljiva.

### Sigurnosne upute

Pročitajte Sigurnosne informacije pod brojem 6159925210 isporučene uz alat ili dostupne na web mjestu <https://www.desouttertools.com/resource-centre>.

### Korisne informacije

#### Web stranica

Informacije o proizvodima, priboru, zamjenskim dijelovima i izdanjima možete pronaći na našoj internetskoj stranici Desoutter.

Posjetite web mjesto: [www.desouttertools.com](http://www.desouttertools.com).

#### Informacije priručnicima za instalaciju

Detaljne upute za rad, ugradnju i nadogradnju su dostupne na web mjestu <https://www.desouttertools.com/resource-centre>.

#### Informacije o rezervnim dijelovima

Shematski prikazi i popisi rezervnih dijelova nalaze se u odjeljku Service Link (servis) na adresi [www.desouttertools.com](http://www.desouttertools.com).

#### Zemlja podrijetla

France

#### Sigurnosno-tehnički listovi MSDS/SDS

Sigurnosno-tehnički list opisuje kemijske proizvode koje prodaje Desoutter.

Za više informacija o tvrtki Desoutter posjetite web stranicu <https://www.desouttertools.com/legal/sds>.

### Autorsko pravo

© Autorsko pravo 2022, Ets Georges Renault, 38 rue Bobby Sands, 44818 Saint Herblain, France

Sva su prava pridržana. Zabranjena je svaka neovlaštena uporaba ili kopiranje sadržaja ili njegovog dijela. To se posebno odnosi na zaštitne znakove, oznake modela, brojeve dijelova i crteže. Upotrebljavajte samo odobrene dijelove. Jamstvo ili odgovornost za proizvod ne obuhvaćaju bilo kakva oštećenja ili kvarove izazvane uporabom neodobrenih dijelova.

### Tehnilised andmed

#### Tehnilised andmed

#### Toide

Tööriista toide (5 V)

#### Energiatarve

2,5 W

#### Kaal

0,02 kg  
0,044 naela

### Hoiu- ja kasutustingimused

Hoiukoha temperatuur	-20 kuni +70 °C (-4 kuni +158 F)
Töötemperatuur	0 kuni 45 °C (32 kuni 113 F)
Hoiukoha õhuniiskus	Suhteline niiskus 0 kuni 95%, mittekondenseeruv
Töökeskkonna niiskus	Suhteline niiskus 0 kuni 90%, mittekondenseeruv
Kõrgus merepinnast kuni	2000 m (6562 jalga)
Kasutatav keskkonnas saasteastmega 2	
Kasutamiseks ainult siseruumis	

### Traadita side tehnilised andmed

Kanal	1
Kesksagedus	3494,4
Sagedus (MHz) *	3244,8–3744
Ribalaius (MHz) *	499,2
Max väärtus tippvõimsusel (dBm)	< 0
Autoriseeritud riigid **	USA

Kanal	2 (vaikeväärtus)
Kesksagedus	3993,6
Sagedus (MHz) *	3774–4243,2
Ribalaius (MHz) *	499,2

## Safety Information

Max väärtus tippvõimsusel (dBm)	< 0
Autoriseeritud riigid **	Euroopa, USA

<b>Kanal</b>	<b>3</b>
Kesksagedus	4492,8
Sagedus (MHz) *	4243,2–4742,4
Ribalaius (MHz) *	499,2
Max väärtus tippvõimsusel (dBm)	< 0
Autoriseeritud riigid **	Euroopa, USA

<b>Kanal</b>	<b>4</b>
Kesksagedus	3993,6
Sagedus (MHz) *	3228–4659,2
Ribalaius (MHz) *	1331,2
Max väärtus tippvõimsusel (dBm)	< 0
Autoriseeritud riigid **	Euroopa, USA

<b>Kanal</b>	<b>5</b>
Kesksagedus	6489,6
Sagedus (MHz) *	6240–6739,2
Ribalaius (MHz) *	499,2
Max väärtus tippvõimsusel (dBm)	< 0
Autoriseeritud riigid **	Euroopa, USA

<b>Kanal</b>	<b>7</b>
Kesksagedus	6489,6
Sagedus (MHz) *	5980,3–6998,9
Ribalaius (MHz) *	1081,6
Max väärtus tippvõimsusel (dBm)	< 0
Autoriseeritud riigid **	USA

\*: vastavalt standardile UWB IEEE802.15.4-2011

\*\* : enne kasutamist pane tähele, et monitoorimisseade peab olema reguleeritud vastavalt kohalikele eeskirjadele. Mõned kanalid võivad olla kohalike reeglitega keelatud. Lisateavet küsige oma Desoutteri esindajalt.

UWB-süsteemi (IEEE 802.14.5) kasutatavate seadmete vahel võib esineda häiringuid. Nende häiringute vältimiseks või vähendamiseks saab rakendada mõningaid leevendusmeetmeid, näiteks järgmisi.

- Vähendage CVI monitoriga monitoorimisjaamas max raadiolevi
- Suurendage seadmete vahekaugust

## Deklaratsioon

### EL-I VASTAVUSDEKLARATSIOON

Meie, **Ets Georges Renault**, 38 rue Bobby Sands, 44818 Saint Herblain, France, deklareerime oma täielikul vastutusel, et toode (mille nime, tüübi ja seerianumbri leiате esilehelt) on vastavuses järgmis(t)e direktiivi(de)ga:

**2011/65/EU, 2014/53/EU**

Kohalduvad ühtlustatud standardid:

**EN 62841-2-2:2014+C1:2016; EN 62311: 2008; EN 302 065-2 v2.1.1; EN 301 489-33 v2.2.1; EN 301 489-1 v2.2.3; EN 61000-6-2:2019**

Ametiasutused võivad nõuda asjakohast tehnilist teavet, mille peab saatma: Pascal ROUSSY, R&D Manager, 38 rue Bobby Sands, 44818 Saint Herblain, France

**Saint Herblain, 2022/07/04**

**Pascal ROUSSY, R&D Manager**

**EL-i tüübihindamine**

Teavitatud asutus **EMITECH** identifitseerimisnumbriga **0536** viis tehnilise dokumentatsiooni vastavushindamise läbi vastavalt direktiivi 2014/53/EL III lisas (moodul B) antud protseduurile ja väljastas EL-i tüübihindamistõendi **21-I037\_C**.

### WEEE

**Elektri- ja elektroonikaseadmete jäätmeid (WEEE)** puudutav teave:

Antud toode ja selle teave vastavad WEEE direktiivi/määruste (2012/19/EU) nõuetele ja seda tuleb käsitseda kooskõlas nimetatud direktiivi/määrustega.

Toode on märgistatud sümboliga:



Tooted, mis on märgistatud ristiga läbi kriipsutatud prügikasti sümboli ja selle all oleva üksiku musta joonega, sisaldavad detaile, mida tuleb käsitseda vastavalt WEEE direktiivile/määrustele. Terve toote või WEEE-osad võib saata käsitlemiseks kohalikku kliendikeskusesse.

### Piirkondlikud nõuded

#### ⚠ HOIATUS

Selle toote kasutamisel võite kokku puutuda kemikaalide, sh pliiga, mis põhjustab California osariigile teadolevatel andmetel vähi ja sünnidefekte või muud reproduktiivset kahju. Lisateabe saamiseks külastage veebilehte

<https://www.p65warnings.ca.gov/>

## Teave seoses REACH-määruse artikliga 33

Euroopa (EÜ) määrus nr 1907/2006, mis käsitleb kemikaalide registreerimist, hindamist, autoriseerimist ja piiramist (REACH), määratleb muuhulgas tarneahela kommunikatsiooniga seotud nõuded. Teabenõue kehtib ka toodetele, mis sisaldavad nn väga ohtlikke aineid („kandidaatainete loetelu“). 27. juunil 2018 lisati kandidaatainete loetellu plii (CAS nr 7439-92-1).

Ülaltoodust tulenevalt anname teile teda, et toote teatud elektrilised ja mehaanilised komponendid võivad sisaldada pliid. See on kooskõlas kehtivate ainete kasutamise piiramise õigusaktidega ja põhineb ohtlike ainete kasutamise piiramise direktiivi (RoHS-määrus, 2011/65/EÜ) õiguslikel eranditel. Plii ei leki ega muteeru tootest tavapärasel kasutamisel ning pliiisaldus kogu tootes on kohaldatavast piirväärtusest tunduvalt väiksem. Toote kasutusea lõppedes arvestage plii kõrvaldamisel kohalikke eeskirju.

## Ohutus

ÄRGE VISAKE ÄRA – ANDKE KASUTAJALE

**⚠ HOIATUS Lugege läbi kõik tootega kaasas olevad ohutushoiatused, juhised, joonised ja tehnilised andmed.**

Järgnevalt loetletud hoiatuste mittejärgimine võib tuua kaasa elektrilöögi, süttimise, varalise kahju ja/või raske vigastuse.

**Hoidke kõik hoiatused ja juhised hilisemaks uuesti läbivaatamiseks alles.**

**⚠ HOIATUS Kõikidest paigaldamist, kasutamist ja hooldamist käsitlevatest kohalikest kehtivatest ohutuseeskirjadest tuleb kogu aeg kinni pidada.**

### Lubatud kasutamine

- Ainult professionaalseks kasutamiseks.
- Käesolevat toodet ega selle lisaseadmeid ei tohi muuta.
- Ärge kasutage kahjustatud toodet.
- Kui tootel asuvad nimikiiruse või ohuhoiatuse märgid muutuvad loetamatuks või tulevad küljest, asendage need kohe uutega.
- Toodet tohib paigaldada, kasutada ja hooldada ainult kvalifitseeritud isik ja ainult tööstuslikus keskkonnas.

## Kasutusotstarve

Monitoorimiseseade on mõeldud paigaldamiseks Desoutteri EABSi juhtmevabadele mutrikeerikutele. Muud kasutusviisid pole lubatud. Ainult professionaalseks kasutuseks.

Mudel	Tootekood
EABS8-1500-4S	6151660870
EABS8-1500-4Q	6151660880
EABS12-1100-4S	6151660890
EABS12-1100-10S	6151660900
EABS12-1100-4Q	6151660910
EABS17-800-4S	6151660920

Mudel	Tootekood
EABS17-800-10S	6151660930
EABS17-800-4Q	6151660940
EABS24-500-10S	6151660950
EABS24-500-4Q	6151660960

Monitoorimisseadmete ja tööjaamadesse paigaldatud monitoorimisjaamade andmeside käib ultralairiba-tehnoloogia (UWB) vahendusel.

Mudel	Tootekood
Monitoorimisjaam	6158133350

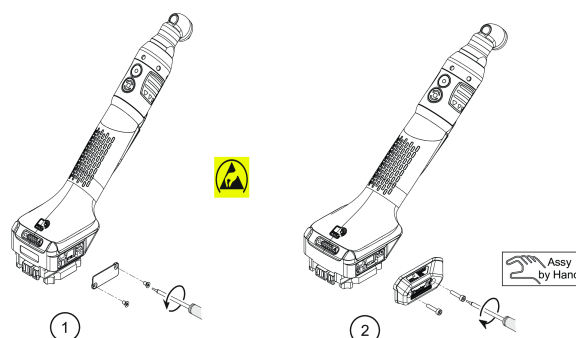
## Tootespetsiifilised juhised

### Minimaalsed nõutavad püsi- ja tarkvara versioonid

Toode	Versioon
EABS	V 6.0.x
CONNECT	V 2.1.5.x
CVI CONFIG	V 2.3.4.x

## Monitoorimisseadme paigaldamine

Eemaldage enne monteerimist aku.



**⚠ HOIATUS Elektrostaatilise lahenduse oht**



Kui te end ei maanda, tekib elektrostaatilise lahenduse oht.

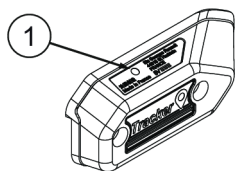
- Kandke antistaatiliselt randmepaela.

1. Eemaldage kateplaat. Hoidke see vajadusel hilisemaks kasutamiseks alles.
2. Pange monitoorimisseade paika. Pingutage käega.

## Monitoorimisseadme toitega varustamine ja aktiveerimine

Kinnitage aku tööriista külge.

## Safety Information



### 1 Märgutuli

Märgutuli vilgub käivitamise ajal 5 sekundit roheliselt, näidates, et tööriist tagab vajaliku toitevarustuse.

Kui märgutuli vilgub punaselt, tähendab see, et monitoorimis-seadmesse pole installitud püsivara või on seal rikutud püsivara.

Monitoorimis-seadme aktiveerimiseks avage CONNECT.

- ❗ Vaadake monitoorimisjaama tootejuhust (trüki nr 6159925540), mis on saadaval aadressil <https://www.desouttertools.com/resource-centre>.

Monitoorimis-seade hakkab seejärel ultralairiba vahendusel suhtlema ettenähtud monitoorimisjaamaga.



Tracking base

UWB



Monitoorimis-seadme püsivara täiendamist selgitatakse järgmises dokumendis.

- Vaadake monitoorimisjaama tootejuhust (trüki nr 6159925540), mis on saadaval aadressil <https://www.desouttertools.com/resource-centre>.
- Monitoorimisjaama mudeli tüüp:

Monitoorimis-jaama tüübi mudel	Monitoorimis-jaama seerianum-bri indeks	Tootmise kuupäev
Ainult CE	4900xxxxxxx kuni 4903xxxxxxx Alates indeksist = 0 kuni 3	Enne 2021
CE ja FCC	4904xxxxxxx ja hilisemad Alates indeksist = 4	Pärast 2021

LED-tule värv	Kirjeldus
roheline – põleb püsivalt	Monitoorimisjaamaga on side loodud.
punane – põleb püsivalt	Monitoorimisjaamaga pole sidet loodud.
sinine – põleb püsivalt	Monitoorimisjaama ühendus on katkestatud või pole see monitoorimis-seadmest nähtav.

## Ohutusjuhised

Lugege ohutusteavet dokumendis nr 6159925210, mis on tööriistaga kaasas või saadaval aadressil <https://www.desouttertools.com/resource-centre>.

## Kasulik teave

### Veebileht

Teavet meie toodete, tarvikute, varuosade ja avaldatud materjalide kohta leiate kaubamärgi Desoutter veebisaidilt.

Tutvuge lähemalt: [www.desouttertools.com](http://www.desouttertools.com).

### Teave paigaldamisjuhendite kohta

Üksikasjalikud kasutusjuhised, paigaldus- ja uuendusjuhendid on saadaval aadressil <https://www.desouttertools.com/resource-centre>.

### Teave varuosade kohta

Joonised ja varuosade loendid on saadaval, klõpsates hoolduslingil [www.desouttertools.com](http://www.desouttertools.com).

## Päritolumaa

France

## Ohutuskaardid MSDS/SDS

Ohutuskaardid kirjeldavad kaubamärgi Desoutter müüdavaid kemikaale.

Lisateabe saamiseks külastage kaubamärgi Desoutter veebisaiti <https://www.desouttertools.com/legal/sds>.

## Autoriõigus

© Autoriõigus 2022, Ets Georges Renault, 38 rue Bobby Sands, 44818 Saint Herblain, France

Kõik õigused kaitstud. Volitamata kasutamine või sisu või selle osa kopeerimine on keelatud. See puudutab konkreetselt just kaubamärke, mudelite nimetusi, detailide numbreid ja jooniseid. Kasutage ainult heakskiidetud osi. Autoriseerimata osade kasutamisest põhjustatud kahjustused või tõrked pole garantii või toote vastutuse poolt kaetud.

## Techniniai duomenys

### Techniniai duomenys

#### Energijos tiekimas

Maitinamas nuo įrankio (5 V)

#### Energijos suvartojimas

2,5 W



**Svoris**

0,02 kg  
0,044 svarai

**Laikymas ir naudojimo sąlygos**

Laikymo temperatūra	-20 iki +70 °C (-4 ik +158 F)
Darbinė temperatūra	0 iki 45 °C (32 ik 113 F)
Laikymo drėgmė	0-95 % RH (nesikondensuojanti)
Darbinė drėgmė	0-90 % RH (nesikondensuojanti)
Aukštis iki	2000 m (6562 pėdų)
Galima naudoti esant 2 aplinkos užterštumo lygiui	
Naudoti tik viduje	

**Bevielės komunikacijos specifikacijos**

<b>Kanalas</b>	<b>1</b>
Centrinis dažnis (MHz)	3494,4
Dažnis (MHz) *	3244,8 – 3744
Dažnių juostos plotis (MHz) *	499,2
Maks. didžiausios galios vertė (dBm)	< 0
Įgaliotos šalys **	JAV

<b>Kanalas</b>	<b>2 (numatytas)</b>
Centrinis dažnis (MHz)	3993,6
Dažnis (MHz) *	3774 – 4243,2
Dažnių juostos plotis (MHz) *	499,2
Maks. didžiausios galios vertė (dBm)	< 0
Įgaliotos šalys **	Europa, JAV

<b>Kanalas</b>	<b>3</b>
Centrinis dažnis (MHz)	4492,8
Dažnis (MHz) *	4243,2 – 4742,4
Dažnių juostos plotis (MHz) *	499,2
Maks. didžiausios galios vertė (dBm)	< 0
Įgaliotos šalys **	Europa, JAV

<b>Kanalas</b>	<b>4</b>
Centrinis dažnis (MHz)	3993,6
Dažnis (MHz) *	3228 – 4659,2
Dažnių juostos plotis (MHz) *	1331,2
Maks. didžiausios galios vertė (dBm)	< 0

Įgaliotos šalys **	Europa, JAV
--------------------	-------------

<b>Kanalas</b>	<b>5</b>
Centrinis dažnis (MHz)	6489,6
Dažnis (MHz) *	6240 – 6739,2
Dažnių juostos plotis (MHz) *	499,2
Maks. didžiausios galios vertė (dBm)	< 0
Įgaliotos šalys **	Europa, JAV

<b>Kanalas</b>	<b>7</b>
Centrinis dažnis (MHz)	6489,6
Dažnis (MHz) *	5980,3 – 6998,9
Dažnių juostos plotis (MHz) *	1081,6
Maks. didžiausios galios vertė (dBm)	< 0
Įgaliotos šalys **	JAV

\*: pagal UWB IEEE802.15.4-2011

\*\* : prieš naudodami atkreipkite dėmesį į tai, kad stebėjimo įrenginys turi būti nustatytas taip, kad atitiktų vietinius teisės aktus. Kai kurie kanalai gali būti uždrausti vietos mastu. Jei pageidaujate daugiau informacijos, susisiekite su jūsų vietovėje veikiančiu „Dessoutter“ atstovu.

Gali atsirasti trukdžių tarp įrenginių, naudojančių UWB sistemą (IEEE 802.14.5). Norint išvengti arba sumažinti šiuos trukdžius, gali būti naudojamos kai kurios švelninimo priemonės, tokios kaip:

- Maks. radijo aprėpties sumažinimas iš stebėjimo bazės naudojant CVI monitorių
- Atstumo tarp įrenginių padidinimas

**Deklaracijos**

**ES ATITIKTIES DEKLARACIJA**

Mes, **Ets Georges Renault**, 38 rue Bobby Sands, 44818 Saint Herblain, France, vienašališkos atsakomybės pagrindu pareiškiame, kad gaminys (pavadinimą, tipinį ir serijos numerį žr. pirmame puslapyje), atitinka šią (-as) Direktyvą (-as):

**2011/65/EU, 2014/53/EU**

Taikyti darnieji standartai:  
**EN 62841-2-2:2014+C1:2016; EN 62311: 2008; EN 302 065-2 v2.1.1; EN 301 489-33 v2.2.1; EN 301 489-1 v2.2.3; EN 61000-6-2:2019**

Atitinkamos techninės informacijos institucijos gali pareikalauti iš:  
Pascal ROUSSY, R&D Manager, 38 rue Bobby Sands, 44818 Saint Herblain, France

**Saint Herblain, 2022/07/04**

**Pascal ROUSSY, R&D Manager**




## Safety Information

### ES tipo tyrimas

Notifikuotoji įstaiga „EMITECH“, kurios identifikavimo numeris yra **0536**, atliko techninių dokumentų atitikties vertinimą pagal Direktyvos 2014/53/ES III priedo (B modulis) procedūrą ir išdavė ES tipo tyrimo sertifikatą Nr. **21-I037\_C**.

### EEĪA

Informacija apie **elektrines ir elektronikos įrangos atliekas** (EEĪA):

Šis gaminys ir informacija apie jį atitinka EEĪA direktyvos (2012/19/EU) reikalavimus ir turi būti tvarkomas pagal šios direktyvos nuostatas.

Gaminys yra pažymėtas simboliu:



Gaminuose, pažymėtuose perbrauktu šiukšliadėžės ženklu su ratukais ir viena juoda juosta apačioje, yra dalių, kurios turi būti tvarkomos laikantis EEĪA atliekų direktyvos nuostatų. Visą gaminį arba EEĪA dalis galima išsiųsti į „Klientų priežiūros centrą“ tvarkyti.

### Regioniniai reikalavimai

#### ⚠️ ĮSPĖJIMAS

Šis produktas gali sukelti jums pavojų dėl cheminių medžiagų poveikio, įskaitant šviną – Kalifornijos valstija žino, kad tai gali sukelti vėžį, apsigimimų ir kitą žalą reprodukcinei sistemai. Daugiau informacijos rasite

<https://www.p65warnings.ca.gov/>

### Informacija apie 33 Straipsnį dėl cheminių medžiagų registracijos, įvertinimo, autorizacijos ir apribojimų (REACH)

Europos Parlamento ir Tarybos reglamento (EB) Nr. 1907/2006 dėl cheminių medžiagų registracijos, įvertinimo, autorizacijos ir apribojimų (REACH) tarp kitų dalykų pateikia reikalavimus dėl bendravimo tiekimo grandinėje. Informacijos pateikimo reikalavimas taip pat yra taikomas ir produktams, kuriuose yra taip vadinamos labai didelį susirūpinimą keliančiomis medžiagomis ("Kandidatų sąrašas"). 2018 birželio 27d. švino metalas (CAS nr 7439-92-1) buvo įtrauktas į Kandidatų sąrašą.

Pagal šį punktą, jūs turite būti informuojami apie tai, kad tam tikri produkte esantys elektros ir mechaniniai komponentai gali turėti švino metalo. Šią informaciją reikia pateikti laikantis šiuo metu galiojančios medžiagų apribojimo teisės akto, pagrįsto teisėtomis išimtimis, nurodytomis dėl tam tikrų pavojingų medžiagų naudojimo elektros ir elektroninėje įrangoje apribojimo (2011/65/EU) direktyvoje. Švino metalas neturi prasiskverbti arba mutuoti gaminyje, jį naudojant normaliomis aplinkybėmis, o jo koncentracija užbaigtame pro-

dukte yra daug žemesnė nei jam taikoma riba. Prašom laikytis vietos reikalavimų atsikratant švinu, esančiu gaminyje, pasibaigus gaminio naudojimo laikui.

## Sauga

NEIŠMESTI – ATIDUOTI VARTOTOJUI

#### ⚠️ ĮSPĖJIMAS Perskaitykite visus su šiuo gaminiu pateikiamus saugos įspėjimus, instrukcijas, iliustracijas ir specifikacijas.

Jei bus nesilaikoma visų toliau pateiktų instrukcijų, gali kilti elektros smūgio, gaisro, nuosavybės sugadinimo ir (arba) sunkaus sužeidimo pavojus.

**Išsaugokite visus įspėjimus ir nurodymus, kad prirėtikus vėliau galėtumėte pasiskaityti.**

#### ⚠️ ĮSPĖJIMAS Visada būtina laikytis visų galiojančių vietinių sumontavimo, eksploatacijos ir techninės priežiūros saugos taisyklių.

### Naudojimo deklaracija

- Skirta tik profesionaliam naudojimui.
- Draudžiama atlikti bet kokius šio gaminio ir jo priedų pakeitimus.
- Nenaudokite šio gaminio, jei jis apgadintas.
- Jei nebežiūrėti arba atplyšo lipdukai su gaminio įspėjimaisiais ženklais, juos iškart pakeiskite.
- Gaminį gali diegti, naudoti ir techniškai prižiūrėti tik kvalifikuotas personalas pramoninio montažo aplinkoje.

### Paskirtis

Sekimo įtaisas skirtas montuoti su Desoutter EABS belaidžiais veržliasukiais (žr. sąrašą žemiau). Šį prietaisą naudoti kitoms paskirtims draudžiama. Tik profesionaliam naudojimui.

Modelis	Detalės Nr.
EABS8-1500-4S	6151660870
EABS8-1500-4Q	6151660880
EABS12-1100-4S	6151660890
EABS12-1100-10S	6151660900
EABS12-1100-4Q	6151660910
EABS17-800-4S	6151660920
EABS17-800-10S	6151660930
EABS17-800-4Q	6151660940
EABS24-500-10S	6151660950
EABS24-500-4Q	6151660960

Sekimo įtaisai palaiko ryšį su stebėjimo bazėmis, įrengtomis darbo vietose, naudojant UWB (ultraplačiajuostę ryšio) technologiją.

Modelis	Detalės Nr.
Stebėjimo bazė	6158133350

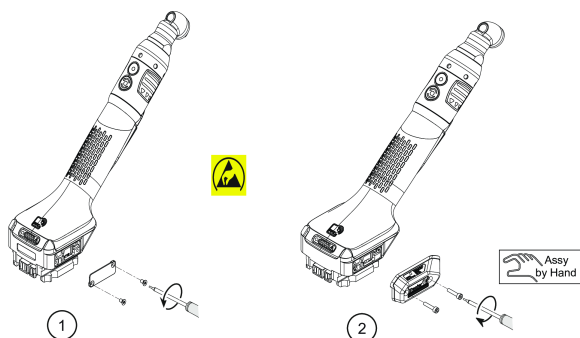
## Specialios gaminio instrukcijos

### Minimalios mikroprograminės ir programinės įrangos versijos

Produktas	Paleidimas
EABS	V 6.0.x
CONNECT	V 2.1.5.x
CVI CONFIG	V 2.3.4.x

### Sekimo įtaiso montavimas

Prieš surinkdami išimkite akumuliatorių.



### ⚠️ ĮSPĖJIMAS Antistatinės iškvos rizika



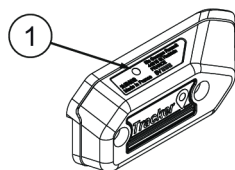
Nesant įžeminimo, kyla antistatinės iškvos rizika.

- Dėvėkite antistatinį riešo dirželį.

1. Nuimkite dengiamąją plokštę. Jei reikia, pasilikite ateičiai.
2. Įstatykite sekimo įtaisą į vietą. Priveržkite ranka.

### Kaip įjungti ir pradėti naudoti sekimo įtaisą

Prijunkite akumuliatorių pakuotę prie įrankio.



- 1 Indikatorius

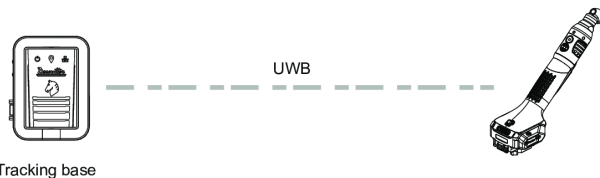
Paleidimo metu indikatorius mirksi žaliai 5 sekundes, nurodymas, kad įrankis yra tinkamai maitinamas.

Jei indikatorius mirksi raudonai, tai reiškia, kad stebėjimo įrenginyje neįdiegta programinė įranga arba ji yra sugadinta.

Kad įjungtumėte stebėjimo įrenginį, eikite į CONNECT .

- ⓘ Žr. „Stebėjimo bazės“ gaminio instrukcijas (spausdintos medžiagos Nr. 6159925540), esančias: <https://www.desouttertools.com/resource-centre>.

Tada stebėjimo įrenginys susisies su tam skirta stebėjimo baze per UWB.



Stebėjimo įrenginio programinės įrangos atnaujinimo procesas paašškintas šiame dokumente:

- Žr. „Stebėjimo bazės“ gaminio instrukcijas (spausdintos medžiagos Nr. 6159925540), esančias: <https://www.desouttertools.com/resource-centre>.
- Stebėjimo bazės modelio tipas:

Stebėjimo bazės tipo modelis	Stebėjimo bazės serijos numerio indeksas	Pagaminimo data
tik CE	4900xxxxxxx to 4903xxxxxxx Nuo indekso = 0 iki 3	Prieš 2021 m.
CE ir FCC	4904xxxxxxx ir paskesni Nuo indekso = 4	Po 2021 m.

LED spalva	Aprašas
žalia - pastovi	Ryšys su stebėjimo baze užmegztas.
raudona - pastovi	Ryšys su stebėjimo baze neužmegztas.
mėlyna - pastovi	Stebėjimo bazė yra atjungta arba nematoma iš stebėjimo įrenginio.

### Saugos instrukcijos

Perskaitykite saugos informaciją – 6159925210, pateiktą kartu su įrankiu arba kurią galite rasti svetainėje <https://www.desouttertools.com/resource-centre>.

### Naudinga informacija

#### Tinklavietė

Informaciją apie mūsų Gaminius, Priedus, Atsargines dalis ir Paskelbtus klausimus rasite Desoutter puslapyje.

Apsilankykite: [www.desouttertools.com](http://www.desouttertools.com).

#### Informacija apie diegimo vadovus

Išsamias darbo instrukcijas, įdiegimą ir atnaujinimo vadovus galite rasti tinklapyje <https://www.desouttertools.com/resource-centre>.

#### Informacija apie atsargines dalis

Išplėstinius vaizdus ir atsarginių detalių sąrašus galite rasti aptarnavimo tinklapyje [www.desouttertools.com](http://www.desouttertools.com).

## Safety Information

### Kilmės šalis

France

### Saugos duomenų lapai MSDL/SDL

Saugos duomenų lapuose aprašomi cheminiai produktai, paruošdami Desoutter.

Apsilankykite Desoutter svetainėje ir sužinokite daugiau <https://www.desouttertools.com/legal/sds>.

### Autorių teisės

© Copyright 2022, Ets Georges Renault, 38 rue Bobby Sands, 44818 Saint Herblain, France

Visos teisės saugomos. Draudžiamas bet koks šio turinio ar jo dalies naudojimas arba kopijavimas neturint tam leidimo. Tai ypač taikoma prekių ženklams, modelių pavadinimams, dalių numeriams ir brėžiniams. Naudokite tik leistas dalis. Jei gaminyje veiks blogai arba suges dėl neleistinų dalių naudojimo, garantija nebus taikoma.

## Tehniskie dati

### Tehniskie dati

#### Barošanas avots

Barošanu nodrošina instruments (5 V)

#### Elektroenergijos patėriņš

2,5 W

#### Svars

0,02 kg  
0,044 mārc.

### Uzglabāšanas un lietošanas nosacījumi

Uzglabāšanas temperatūra	No -20 līdz +70 °C (no -4 līdz +158 F)
Darba temperatūra	No 0 līdz 45 °C (no 32 līdz 113 F)
Mitruma līmenis uzglabāšanas laikā	0–95% RM (kondensācija nenotiek)
Mitruma līmenis darba laikā	0–90% RM (kondensācija nenotiek)
Augstums līdz	2000 m (6562 pēdas)
Lietojams 2. pakāpes piesārņojuma vidē	
Tikai lietošanai telpās	

### Bezvadu sakaru specifikācijas

<b>Kanāls</b>	<b>1</b>
Centrālā frekvence (MHz)	3494,4
Frekvence (MHz) *	3244,8 – 3744
Joslas platums (MHz) *	499,2

Maksimumjaudas (dBm) maks. vērtība	< 0
Autorizētās valstis **	ASV

<b>Kanāls</b>	<b>2 (pēc noklusējuma)</b>
Centrālā frekvence (MHz)	3993,6
Frekvence (MHz) *	3774 – 4243,2
Joslas platums (MHz) *	499,2
Maksimumjaudas (dBm) maks. vērtība	< 0
Autorizētās valstis **	Eiropa, ASV

<b>Kanāls</b>	<b>3</b>
Centrālā frekvence (MHz)	4492,8
Frekvence (MHz) *	4243,2 – 4742,4
Joslas platums (MHz) *	499,2
Maksimumjaudas (dBm) maks. vērtība	< 0
Autorizētās valstis **	Eiropa, ASV

<b>Kanāls</b>	<b>4</b>
Centrālā frekvence (MHz)	3993,6
Frekvence (MHz) *	3228 – 4659,2
Joslas platums (MHz) *	1331,2
Maksimumjaudas (dBm) maks. vērtība	< 0
Autorizētās valstis **	Eiropa, ASV

<b>Kanāls</b>	<b>5</b>
Centrālā frekvence (MHz)	6489,6
Frekvence (MHz) *	6240 – 6739,2
Joslas platums (MHz) *	499,2
Maksimumjaudas (dBm) maks. vērtība	< 0
Autorizētās valstis **	Eiropa, ASV

<b>Kanāls</b>	<b>7</b>
Centrālā frekvence (MHz)	6489,6
Frekvence (MHz) *	5980,3 – 6998,9
Joslas platums (MHz) *	1081,6
Maksimumjaudas (dBm) maks. vērtība	< 0
Autorizētās valstis **	ASV

\*: saskaņā ar UWB IEEE802.15.4-2011

\*\* : pirms lietošanas ņemiet vērā, ka izsekotājs ir jāiestata atbilstoši vietējiem noteikumiem. Daži kanāli var būt pakļauti vietējiem aizliegumiem. Lai saņemtu vairāk informācijas, sazinieties ar savu Desoutter pārstāvi.

Var rasties traucējumi starp ierīcēm, kas izmanto UWB sistēmu (IEEE 802.14.5). Lai izvairītos no šiem traucējumiem vai mazinātu to ietekmi, var izmantot šādus traucējumu mazināšanas pasākumus:

- Samaziniet maksimālo radio pārklājumu no izsekošanas bāzes, izmantojot CVI monitoru
- Palieliniet attālumu starp ierīcēm

## Deklarācijas

### ES ATBILSTĪBAS DEKLARĀCIJA

Mēs, **Ets Georges Renault**, 38 rue Bobby Sands, 44818 Saint Herblain, France, vienpersoniski uzņemoties atbildību, paziņojam, ka produkts (ar nosaukumu, tipu un sērijas numuru, kas atrodami titullapā) atbilst šai direktīvai(-ām):

2011/65/EU, 2014/53/EU

Piemērotie saskaņotie standarti:

EN 62841-2-2:2014+C1:2016; EN 62311: 2008; EN 302 065-2 v2.1.1; EN 301 489-33 v2.2.1; EN 301 489-1 v2.2.3; EN 61000-6-2:2019

Iestādes var pieprasīt nepieciešamo tehnisko informāciju no:

Pascal ROUSSY, R&D Manager, 38 rue Bobby Sands, 44818 Saint Herblain, France

Saint Herblain, 2022/07/04

Pascal ROUSSY, R&D Manager

ES tipa pārbaude

Pilnvarotā iestāde **EMITECH** ar identifikācijas numuru **0536** veica tehniskās dokumentācijas atbilstības novērtēšanu saskaņā ar Direktīvas 2014/53/ES III pielikuma (B modulis) procedūru un izdeva ES tipa pārbaudes sertifikātu **21-1037\_C**.

### EEIA

Informācija attiecībā uz **elektrisko un elektronisko iekārtu atkritumiem (EEIA)**:

Šis produkts un tā informācija atbilst EEIA Direktīvas/noteikumu prasībām (2012/19/EU), un ar to jārikojas saskaņā ar šo Direktīvu/noteikumiem.

Produkts ir marķēts ar šādu simbolu:



Produkti, kas marķēti ar pārsvītrotas atkritumu tvertnes simbolu un vienu melnu līniju apakšā norāda, ka ar šī produkta detaļām jāapietas saskaņā ar EEIA Direktīvu/noteikumiem. Viss produkts vai tā EEIA detaļas var tikt nosūtītas jūsu "Klientu apkalpošanas centram", kas to apstrādās.

## Reģionālās prasības

### ⚠ BRĪDINĀJUMS

Šis produkts var jūs pakļaut svina apdraudējumam, kurš Kalifornijas štatā ir zināms kā vēža un iedzimtu defektu izraisītājs, kā arī citu reproduktīvo funkciju kaitējumu avots. Lai saņemtu plašāku informāciju, apmeklējiet

<https://www.p65warnings.ca.gov/>

## Informācija par REACH 33. pantu

Eiropas Regula (ES) Nr. 1907/2006, kas attiecas uz ķīmisko vielu reģistrēšanu, vērtēšanu, licencēšanu un ierobežošanu (REACH) cita starpā nosaka arī prasības, kas saistītas ar komunikāciju piegādes ķēdē. Prasība sniegt informāciju attiecas arī uz produktiem, kas satur tā sauktās īpaši bīstamās vielas („kandidātu saraksts”). 2018. gada 27. jūnijā kandidātu sarakstam tika pievienots svina metāls (CAS Nr. 7439-92-1).

Saskaņā ar iepriekš minēto, ar šo informējam jūs, ka noteiktas elektriskās un mehāniskās produkta sastāvdaļas var saturēt svina metālu. Tas ir saskaņā ar spēkā esošajiem tiesību aktiem par vielu ierobežošanu, un to pamatā ir RoHS direktīvā (2011/65/ES) paredzētie likumīgie atbrīvojumi. Parastā lietošanas laikā no ražojuma neizplūst vai nemetējas svina metāls, un svina metāla koncentrācija visā produktā ir ievērojami zemāka par piemērojamo robežvērtību. Lūdzu, ņemiet vērā vietējās prasības attiecībā uz svina iznīcināšanu produkta kalpošanas laika beigās.

## Drošība

NEIZMETIET — NODODIET LIETOTĀJAM

### ⚠ BRĪDINĀJUMS Izlasiet visus drošības brīdinājumus, norādījumus, ilustrācijas un specifiskācijas, kas saņemtas kopā ar šo produktu.

Neievērojot visus tālāk sniegtos norādījumus, varat izraisīt elektrisko triecienu, ugunsgrēku, īpašuma bojājumus un/vai smagas traumas.

Saglabājiet visus brīdinājumus un norādījumus turpmākai uzziņai.

### ⚠ BRĪDINĀJUMS Pastāvīgi jāievēro visi vietējie drošības noteikumi, kas attiecas uz uzstādīšanu, ekspluatāciju un apkopi.

## Produkta pielietojums

- Tikai profesionālai lietošanai.
- Šo produktu un tā palīgapriekojumu aizliegts jebkādā veidā pārveidot.
- Neizmantojiet šo produktu, ja tas ir bojāts.
- Ja produkta dati vai bīstamības brīdinājuma zīmes uz produkta vairs nav salasāmas vai atļīmējas, nekavējoties nomainiet tās.
- Šo produktu drīkst uzstādīt, lietot un apkalpot tikai kvalificēta persona rūpnieciskā montāžas vidē.

## Safety Information

### Paredzētais pielietojums

Izsekotājs ir paredzēts uzstādīšanai Desoutter EABS bezvadu uzgriežņatslēgās (sk. sarakstu tālāk). Citi lietošanas veidi nav atļauti. Tikai profesionālai lietošanai.

Modelis	Daļas numurs
EABS8-1500-4S	6151660870
EABS8-1500-4Q	6151660880
EABS12-1100-4S	6151660890
EABS12-1100-10S	6151660900
EABS12-1100-4Q	6151660910
EABS17-800-4S	6151660920
EABS17-800-10S	6151660930
EABS17-800-4Q	6151660940
EABS24-500-10S	6151660950
EABS24-500-4Q	6151660960

Izsekotāji sazinās ar darbstacijās uzstādītajām izsekošanas bāzēm, izmantojot UWB (ultraplatjoslas) tehnoloģiju.

Modelis	Daļas numurs
Izsekošanas bāze	6158133350

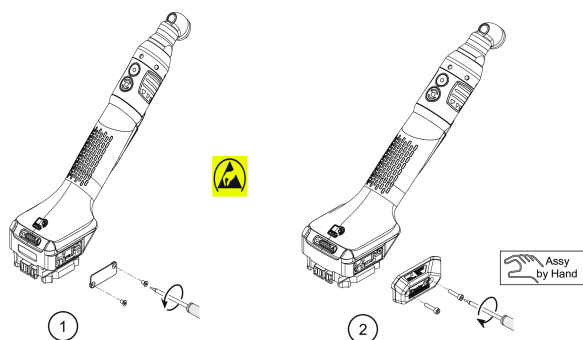
### Produktam specifiskas instrukcijas

#### Minimālās aparātprogrammatūras un programmatūras versijas

Izstrādājums	Versija
EABS	V 6.0.x
CONNECT	V 2.1.5.x
CVI CONFIG	V 2.3.4.x

### Izsekotāja uzstādīšana

Pirms montāžas izņemiet akumulatoru.



#### ⚠ BRĪDINĀJUMS Antistatiskās izlādes risks



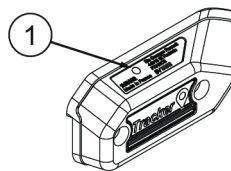
Pastāv antistatiskās izlādes risks, ja nenodrošināsi pieņemamu zemējumu.

- Izmantojiet antistatisko rokas locītavas aproci.

1. Noņemiet pārsega plāksni. Saglabājiet to iespējamai vēlākai lietošanai.
2. Ievietojiet izsekotāju tam paredzētajā vietā. Pievelciet ar roku.

### Kā nodrošināt barošanu un ieslēgt izsekotāju

Pievienojiet instrumentam akumulatoru.



- 1 Indikators

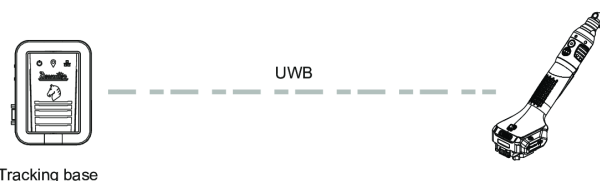
Startēšanas laikā indikators 5 sekundes mirgo zaļā krāsā, norādot, ka instrumentam ir pareizi nodrošināta strāvas padeve.

Ja indikators mirgo sarkanā krāsā, tas nozīmē, ka izsekotājā nav instalēta aparātprogrammatūra vai tā ir bojāta.

Dodieties uz CONNECT, lai ieslēgtu izsekotāju.

- ⓘ Skatiet izsekošanas bāzes lietošanas instrukciju (drukātais materiāls Nr. 6159925540), kas pieejama vietnē <https://www.desouttertools.com/resource-centre>.

Izsekotājs pēc tam sazināsies ar atvēlēto izsekošanas bāzi, izmantojot UWB.



Aparātprogrammatūras atjaunināšanas process ir izskaidrots dokumentā:

- Skatiet izsekošanas bāzes lietošanas instrukciju (drukātais materiāls Nr. 6159925540), kas pieejama vietnē <https://www.desouttertools.com/resource-centre>.
- Izsekošanas bāzes modeļa tips:

Izsekošanas bāzes tipa modelis	Izsekošanas bāzes sērijas numuru indekss		Ražošanas datums
	Tikai CE	4900xxxxxxx līdz 4903xxxxxxx No indeksa = 0 līdz 3	
Tikai CE	4900xxxxxxx līdz 4903xxxxxxx No indeksa = 0 līdz 3	Pirms 2021. gada	
CE un FCC	4904xxxxxxx un jaunāki No indeksa = 4	Pēc 2021. gada	

LED krāsa	Apraksts
zaļa – spīd	Ir izveidota komunikācija ar izsekošanas bāzi.
sarkana – spīd	Nav izveidota komunikācija ar izsekošanas bāzi.

LED krāsa	Apraksts
zila – spīd	Izsekošanas bāze ir atvienota vai nav redzama no izsekotāja.

## Drošības instrukcijas

Izlasiet drošības informāciju ar atsauci 6159925210, kas piegādāta kopā ar instrumentu vai pieejama vietnē <https://www.desouttertools.com/resource-centre>.

## Noderīga informācija

### Vietne

Informāciju par mūsu produktiem, piederumiem, rezerves daļām un publicētajiem materiāliem var atrast Desoutter tīmekļa vietnē.

Lūdzu, apmeklējiet: [www.desouttertools.com](http://www.desouttertools.com).

### Informācija par instalācijas rokasgrāmatām

Detalizētas ekspluatācijas instrukcijas, instalācijas un atjaunināšanas rokasgrāmatas ir pieejamas vietnē <https://www.desouttertools.com/resource-centre>.

### Informācija par rezerves daļām

Izvērstie skati un rezerves daļu saraksti ir pieejami vietnes [www.desouttertools.com](http://www.desouttertools.com) sadaļā „Service Link”.

### Izcelsmes valsts

France

### Drošības datu lapas MSDS/SDS

Drošības datu lapās aprakstīti Desoutter pārdotie ķīmiskie produkti.

Lai iegūtu plašāku informāciju, lūdzu, apmeklējiet Desoutter tīmekļa vietni <https://www.desouttertools.com/legal/sds>.

### Autortiesības

© Autortiesības 2022, Ets Georges Renault, 38 rue Bobby Sands, 44818 Saint Herblain, France

Visas tiesības paturētas. Satura vai tā daļas neatļauta izmantošana vai kopēšana ir aizliegta. It sevišķi tas attiecas uz preču zīmēm, modeļu nosaukumiem, daļu numuriem un rasējumiem. Izmantojiet tikai atļautas daļas. Bojājumus vai darbības traucējumus, kurus izraisījusi neatļautu daļu lietošana, nesedz garantija vai ražotāja atbildība par produktu.

## 技术数据

### 技术数据

#### 电源

由工具供电 (5 V)

#### 功率消耗

2.5 W

#### 重量

0.02 kg

0.044 lb

### 储藏和使用条件

储藏温度	-20 至 +70°C ( -4 至 +158 F )
工作温度	0 至 45 °C ( 32 至 113 F )
储藏湿度	相对湿度 0-95% ( 无冷凝 )
工作湿度	相对湿度 0-90% ( 无冷凝 )
海拔高度	2000 米 ( 6562 英尺 ) 以内
可用于 2 级污染环境	
仅限室内使用	

### 无线通信规范

通道	1
中心频率 (MHz)	3494.4
频率 (MHz) *	3244.8 – 3744
带宽 (MHz) *	499.2
最大峰值功率 (dBm)	< 0
授权国家 **	美国

通道	2 ( 默认 )
中心频率 (MHz)	3993.6
频率 (MHz) *	3774 – 4243.2
带宽 (MHz) *	499.2
最大峰值功率 (dBm)	< 0
授权国家 **	欧洲, 美国

通道	3
中心频率 (MHz)	4492.8
频率 (MHz) *	4243.2 – 4742.4
带宽 (MHz) *	499.2
最大峰值功率 (dBm)	< 0
授权国家 **	欧洲, 美国

通道	4
中心频率 (MHz)	3993.6
频率 (MHz) *	3228 – 4659.2

## Safety Information

带宽 (MHz) *	1331.2
最大峰值功率 (dBm)	< 0
授权国家 **	欧洲, 美国

<b>通道</b>	<b>5</b>
中心频率 (MHz)	6489.6
频率 (MHz) *	6240 – 6739.2
带宽 (MHz) *	499.2
最大峰值功率 (dBm)	< 0
授权国家 **	欧洲, 美国

<b>通道</b>	<b>7</b>
中心频率 (MHz)	6489.6
频率 (MHz) *	5980.3 – 6998.9
带宽 (MHz) *	1081.6
最大峰值功率 (dBm)	< 0
授权国家 **	美国

\* : 根据 UWB IEEE802.15.4-2011

\*\* : 使用前应注意跟踪器的设置必须符合当地法规。某些信道可能在当地被禁止。联系您的 Desoutter 代表以获取更多信息。

使用 UWB 系统 (IEEE 802.14.5) 的设备之间可能会发生干扰。可采取一些缓解措施来避免或减少这些干扰，如：

- 使用 CVI 监视器减少跟踪底座的最大无线电覆盖范围
- 增加设备之间的距离

## 声明

### EU 符合性声明

我们 ( Ets Georges Renault, 38 rue Bobby Sands, 44818 Saint Herblain, France ) 全权声明，本产品 ( 名称、型号和序列号，请见首页 ) 符合以下指令：

2011/65/EU, 2014/53/EU

应用的协调标准：  
EN 62841-2-2:2014+C1:2016; EN 62311: 2008; EN 302 065-2 v2.1.1; EN 301 489-33 v2.2.1; EN 301 489-1 v2.2.3; EN 61000-6-2:2019

政府机构可索取相关技术信息：  
Pascal ROUSSY, R&D Manager, 38 rue Bobby Sands, 44818 Saint Herblain, France

Saint Herblain, 2022/07/04

Pascal ROUSSY, R&D Manager

### 欧盟型式试验

公告机构 EMITECH ( 识别号码 0536 ) 根据指令 2014/53/EU 附录 III ( 模块 B ) 的程序对技术文档进行了合格评定，颁发了欧盟型式试验证书第 21-I037\_C 号。



## WEEE

涉及 **电子电气设备废弃物 (WEEE)** 的信息：  
本产品及其信息符合 WEEE 指令/法规 ( 2012/19/EU ) 的相关要求且应按此指令/法规操作处理。

本产品标有以下符号：



标有划线带轮垃圾桶符号、下面有单根黑条的产品表示包含必须按照 WEEE 指令/法规进行处理的部件。可以将整个产品或 WEEE 部件送往“客户服务中心”进行处理。

## 区域性要求

### 警告

该产品可能会使您暴露于化学物质 ( 包括铅 )，加利福尼亚州已明确铅可导致癌症和先天缺陷或其他生殖危害。更多信息请访问

<https://www.p65warnings.ca.gov/>

## 有关 REACH 第 33 条的信息

欧洲法规 (EU) No. 1907/2006 化学品的注册、评估、授权和限制 (REACH) 定义了与供应链中通信相关的要求。信息要求也适用于含有所谓高度关注物质 ( “候选列表” ) 的产品。2018 年 6 月 27 日，铅金属 ( CAS 编号 7439-92-1 ) 被纳入候选列表。

根据上述要求，特此通知您产品中的某些电气和机械部件可能含有铅金属。这符合现行的物质限制法规，并基于 RoHS 指令 (2011/65/EU) 中的合法豁免。在正常使用过程中，铅金属不会从产品中泄漏或突变，并且整个产品中的铅金属浓度远低于适用的阈值限制。请考虑当地对产品寿命终止时铅处置的要求。

## 安全

切勿丢弃 – 请交给使用者

**警告** 阅读随本产品提供的所有安全警告、说明、图解和规格。

不遵守下列全部说明可能导致电击、火灾、财产损失和/或严重的伤害。

保存所有警告和说明书以备查阅。

**警告** 安装、操作以及维护过程中必须始终遵守当地的安全法规。

## 使用声明

- 仅供专业使用。
- 此产品及其附件不得以任何形式进行改造。
- 如果此产品已损坏，则不得使用。
- 如果产品上的产品数据或危险警示牌不再清晰可读或已脱落，请立即更换。
- 该产品必须只能由具有相关资质的人员在工业环境中安装、操作和维护。



## 预期用途

该追踪器设计用于安装在 Desoutter EABS 无绳扳手上 (见下表)。不得用于其他用途。仅供专业人士使用。

型号	部件编号
EABS8-1500-4S	6151660870
EABS8-1500-4Q	6151660880
EABS12-1100-4S	6151660890
EABS12-1100-10S	6151660900
EABS12-1100-4Q	6151660910
EABS17-800-4S	6151660920
EABS17-800-10S	6151660930
EABS17-800-4Q	6151660940
EABS24-500-10S	6151660950
EABS24-500-4Q	6151660960

追踪器通过 UWB (超宽带) 技术与安装在工作站中的追踪底座进行通信。

型号	部件编号
追踪底座	6158133350

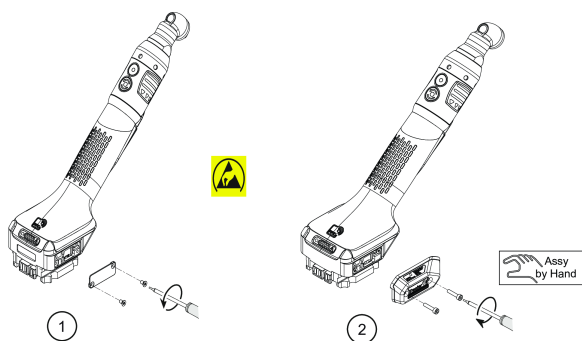
## 产品特定说明

### 最低固件和软件版本

产品	发布
EABS	V 6.0.x
CONNECT	V 2.1.5.x
CVI CONFIG	V 2.3.4.x

## 安装追踪器

组装之前取下电池组。



### ⚠ 警告 防静电放电风险



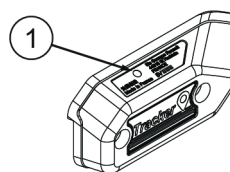
如果你不为自己接地, 则将有防静电的危险。

- ▶ 佩戴防静电腕带。

- 取下盖板。  
保留备用 (如需要)。
- 将追踪器放在适当位置。  
用手拧紧。

## 如何开启和启用追踪器

将电池组插入工具。



- 指示器

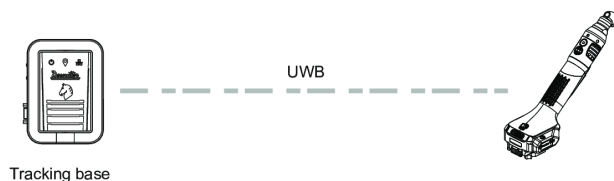
启动期间, 指示灯闪烁绿光 5 秒钟, 表示工具已正确提供电源。

如果指示灯闪红光, 则表示追踪器上未安装固件或固件损坏。

前往 CONNECT 启用追踪器。

- ⓘ 请参阅追踪底座产品说明书 (印刷品编号 6159925540), 网址 <https://www.desouttertools.com/resource-centre>。

追踪器随后将通过 UWB 与专用追踪底座通信。



追踪器固件升级过程在以下文档中进行了说明:

- 请参阅追踪底座产品说明书 (印刷品编号 6159925540), 网址 <https://www.desouttertools.com/resource-centre>。
- 追踪底座型号类型:

追踪底座型号	追踪底座序列号索引	生产日期
仅 CE	4900xxxxxxx - 4903xxxxxxx 从索引 = 0 到 3	2021 年之前
CE 和 FCC	4904xxxxxxx 及以后从索引 = 4	2021 年以后

LED 颜色	说明
绿色 - 恒亮	与追踪底座的通信建立。
红色 - 恒亮	与追踪底座的通信未建立。
蓝色 - 恒亮	追踪底座已断开连接或从追踪器处看不到。

## 安全说明

请阅读随工具提供或可从 <https://www.desouttertools.com/resource-centre> 获取的编号为 6159925210 的安全信息。

## 有用的信息

### 网站

有关我们的产品、配件、备件和已发布事项的信息，请访问 Desoutter 网站。

请访问：[www.desouttertools.com](http://www.desouttertools.com)。

### 安装手册信息

有关详细的操作说明、安装和升级手册，请访问：

<https://www.desouttertools.com/resource-centre>。

### 备件信息

若要在 Service Link 中查看分解图和备件列表，请访问：

[www.desouttertools.com](http://www.desouttertools.com)。

### 原产地

France

### 安全数据表 MSDS/SDS

安全数据表描述 Desoutter 销售的化学产品。

有关更多信息，请访问 Desoutter 网站 <https://www.desouttertools.com/legal/sds>。

### 版权所有

© 版权所有 2022, Ets Georges Renault, 38 rue Bobby Sands, 44818 Saint Herblain, France

保留所有权限。禁止对此内容或其部分内容进行任何未经授权的使用或复制。本规定专门适用于商标、型号名称、部件编号和图纸。请仅使用经授权的部件。保修或产品责任不包括任何由于使用未经授权的部件而造成的损坏或故障。

## 技術データ

### 技術データ

#### 電源

ツールからの電力供給 (5V)

#### 消費電力

2.5 W

#### 重量

0.02 kg  
0.044 lb

### 保管と使用条件

保管温度	-20 ~ +70 °C ( -4 ~ +158 F )
作動温度	0 ~ 45 °C ( 32 ~ 113 F )
保管湿度	0 ~ 95%RH ( 結露しないこと )

動作湿度	0 ~ 90%RH ( 結露しないこと )
最高高度	2000メートル ( 6562フィート )
汚染度2環境で使用可能 屋内使用のみ	

### ワイヤレス通信仕様

チャンネル	1
中心周波数 ( MHz )	3494.4
周波数 ( MHz ) *	3244,8 – 3744
帯域幅 ( MHz ) *	499.2
ピーク電力 ( dBm ) の最大値	< 0
認可された国**	米国

チャンネル	2 ( デフォルト )
中心周波数 ( MHz )	3993.6
周波数 ( MHz ) *	3774 – 4243.2
帯域幅 ( MHz ) *	499.2
ピーク電力 ( dBm ) の最大値	< 0
認可された国**	ヨーロッパ、アメリカ

チャンネル	3
中心周波数 ( MHz )	4492.8
周波数 ( MHz ) *	4243,2 – 4742.4
帯域幅 ( MHz ) *	499.2
ピーク電力 ( dBm ) の最大値	< 0
認可された国**	ヨーロッパ、アメリカ

チャンネル	4
中心周波数 ( MHz )	3993.6
周波数 ( MHz ) *	3228 – 4659.2
帯域幅 ( MHz ) *	1331.2
ピーク電力 ( dBm ) の最大値	< 0
認可された国**	ヨーロッパ、アメリカ

チャンネル	5
中心周波数 ( MHz )	6489.6
周波数 ( MHz ) *	6240 – 6739.2
帯域幅 ( MHz ) *	499.2
ピーク電力 ( dBm ) の最大値	< 0
認可された国**	ヨーロッパ、アメリカ

チャンネル	7
中心周波数 ( MHz )	6489.6

周波数 ( MHz ) *	5980,3 – 6998,9
帯域幅 ( MHz ) *	1081,6
ピーク電力 ( dBm ) の最大 値	< 0
認可された国**	米国

\* : UWB IEEE802.15.4-2011に準拠

\*\* : 使用する前に、トラックは地域の規制に準拠するように設定する必要があります。一部のチャンネルは現地で禁止されている場合があります。詳細情報については、Desoutter の担当者までお問い合わせください。

UWBシステム ( IEEE 802.14.5 ) を使用するデバイス間で干渉が発生する可能性があります。干渉を回避または軽減するために、次の緩和策を実行できます。

- CVIモニターを使用してトラッキングベースからの最大無線範囲を低減します
- デバイス間の距離を増やします

## 宣言

### EU 適合宣言

弊社Ets Georges Renault, 38 rue Bobby Sands, 44818 Saint Herblain, Franceは、弊社製品 ( 名称、型式、およびシリアル番号 ) に関してはフロントページ参照) が次の指令に準拠していることを、当社単独責任の下で宣言します :

2011/65/EU, 2014/53/EU

適用する整合規格 :

EN 62841-2-2:2014+C1:2016; EN 62311: 2008; EN 302 065-2 v2.1.1; EN 301 489-33 v2.2.1; EN 301 489-1 v2.2.3; EN 61000-6-2:2019

当局は、以下から関連する技術情報を要求できます。

Pascal ROUSSY, R&D Manager, 38 rue Bobby Sands, 44818 Saint Herblain, France

Saint Herblain, 2022/07/04

Pascal ROUSSY, R&D Manager

### EU 型式試験

認証機関EMITECH. ( 識別番号 0536 ) は、指令 2014/53/UE の附属書 III ( モジュールB ) の手順に従って技術文書の適合性評価を行い、EU型式試験証明書 21-I037\_C を発行しました。

### WEEE

電気・電子機器廃棄物 ( WEEE ) に関する情報 : 本製品およびその情報は、WEEE 指令/規制 ( 2012/19/EU ) の要件を満たしており、この指令/規制を遵守して取り扱う必要があります。

本製品には、以下の記号のマークが表示されています。



ゴミ箱に× ( バツ ) が付いたマークとその下に一本の太い棒がある製品には、WEEE指令/規制に準拠して取り扱う必要のある部品が含まれています。製品全体、またはWEEE部品は、取り扱いのために「お客様センター」に送ることができます。

### 地域の要件

#### ⚠ 警告

本製品によって、カリフォルニア州において癌や出生異常、その他生殖能への悪影響を引き起こすことが知られている鉛などの化学物質に晒されることがあります。詳細情報については<https://www.p65warnings.ca.gov/> をご覧ください。

<https://www.p65warnings.ca.gov/>

### REACH第33条に関する情報

化学物質の登録、評価、認可および制限に関する欧州 ( EU ) 規制第1907/2006号 ( REACH ) は、とりわけサプライチェーンにおけるコミュニケーションに関する要件を定義しています。情報要件は、いわゆる「高懸念物質 ( SVHC ) 」 ( 「候補リスト」 ) を含む製品にも適用されます。2018年6月27日に、鉛金属 ( CAS番号 7439-92-1 ) が候補リストに追加されました。

本書は、製品の特定の電気的および機械的部品が鉛金属を含む可能性があることを、上記に従ってお知らせすることを目的としています。これは現行の化学物質規制法に準拠しており、RoHS指令 ( 2011/65/EU ) の合法的免除に基づいています。通常の使用中に鉛金属が製品から漏れたり、変化することはありません。また、製品全体の中の鉛金属の濃度は、該当する限界値をはるかに下回ります。製品の寿命終了時における鉛の処理に関する地域の要件をご考慮ください。

### 安全

捨てないでください - ユーザに渡してください

⚠ 警告 本製品に付属するすべての安全警告、指示、図、仕様をお読みください。

以下に列記したすべての指示に従わない場合、感電、火災、物的損害および/あるいは重傷に至る危険性があります。

今後の参考のために、すべての警告と注意事項を保管しておいてください。

⚠ 警告 設置、運転、およびメンテナンスに関連する、地域で制定された安全基準は常に順守されなければなりません。

### 使用に関するステートメント

- 業務用専用です。
- 本製品とその付属品は絶対に改造しないでください。

## Safety Information

- ・ 損傷している場合は本製品を使用しないでください。
- ・ 本製品のツールデータ、危険性の警告サインの読み取りができなくなったり、外れている場合、即座に交換してください。
- ・ 本製品は、工業的環境において有資格の担当者のみが設置、操作、修理するようにしてください。

## 用途

トラッカーは、Desoutter EABS コードレスナットランナへの取り付け用に設計されています（以下のリスト参照）。その他の使用は許可されていません。工業用に限るものとします。

型式	部品番号
EABS8-1500-4S	6151660870
EABS8-1500-4Q	6151660880
EABS12-1100-4S	6151660890
EABS12-1100-10S	6151660900
EABS12-1100-4Q	6151660910
EABS17-800-4S	6151660920
EABS17-800-10S	6151660930
EABS17-800-4Q	6151660940
EABS24-500-10S	6151660950
EABS24-500-4Q	6151660960

トラッカーは、UWB ( Ultra-Wide Band : 超広帯域 ) テクノロジーを介してワークステーションに取り付けられた追跡ベースと通信します。

型式	部品番号
追跡ベース	6158133350

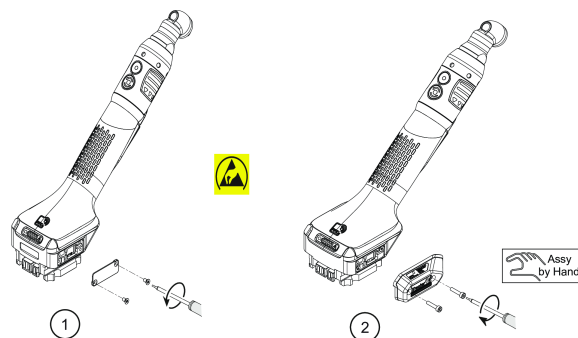
## 製品の詳細説明書

### ファームウェアおよびソフトウェアの最低バージョン

製品	バージョン
EABS	V 6.0.x
CONNECT	V 2.1.5.x
CVI CONFIG	V 2.3.4.x

## トラッカーの取り付け

組み立て前にバッテリーパックを取り外してください。



## 警告 静電気放電の危険性



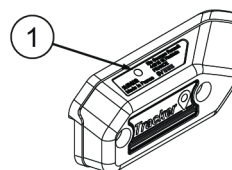
身体を接地していない場合、静電気放電の危険があります。

▶ 静電気防止用リストストラップを着用してください。

1. カバープレートを取り外してください。必要に応じて、後で使用できるように保管してください。
2. トラッカーを所定の位置に配置します。手で締め付けます。

## 電源を入れてトラッカーを有効にするには

バッテリーパックをツールに取り付けます。



### 1 インジケータ

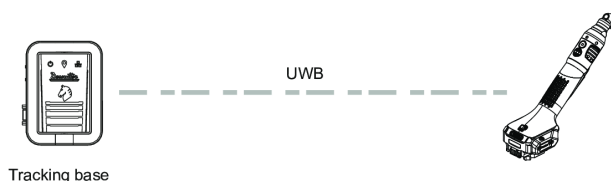
起動中に緑色インジケータが5秒間点滅し、ツールによって電源が正しく供給されていることを示します。

インジケータが赤で点滅する場合は、トラッカーにファームウェアがインストールされていないか、インストールされているファームウェアが破損していることを意味します。

CONNECTに移動して、トラッカーを有効にします。

- ① 次のWebサイトで入手可能なトラッキングベースの製品説明書（印刷物番号6159925540）を参照してください。 <https://www.desouttertools.com/resource-centre>。

するとトラッカーは、UWBを介して専用の追跡ベースと通信します。



トラッカーファームウェアのアップグレードプロセスについては、次のドキュメントで説明されています。

- 次のWebサイトで入手可能なトラッキングベースの製品説明書 (印刷物番号6159925540) を参照してください。 <https://www.desouttertools.com/resource-centre>。
- トラッキングベースモデルタイプ:

トラッキングベースタイプモデル	トラッキングベースシリアル番号インデックス	製造日
CEのみ	4900xxxxxxx ~ 4903xxxxxxxインデックス=0 から3まで	2021年以前
CE & FCC	4904xxxxxxx以降インデックス=4 から	2021年以降

LEDカラー	説明
緑 - 常時点灯	トラッキングベースとの通信が確立されています。
赤 - 常時点灯	トラッキングベースとの通信が確立されていません。
青 - 常時点灯	トラッキングベースが切断されているか、トラッカーから見えていません。

## 安全注意事項

ツールに同梱されている、または<https://www.desouttertools.com/resource-centre>で入手可能な安全情報、参照番号 6159925210 の安全注意事項をご覧ください。

## 有用な情報

### ウェブサイト

当社の製品、付属品、スペアパーツおよび公表事項に関する情報は、DesoutterのWebサイトにてご覧いただけます。

次をご覧ください: [www.desouttertools.com](http://www.desouttertools.com).

### 設定マニュアルに関する詳細

詳細な取扱説明書、インストール、アップグレードのマニュアルは <https://www.desouttertools.com/resource-centre> から入手できます。

### スペアパーツに関する詳細

分解図および予備部品のリストは次のサービスリンク [www.desouttertools.com](http://www.desouttertools.com) でご覧ください。

### 生産国

France

## 安全データシート MSDS/SDS

安全データシートには、Desoutterが販売する化学製品が記載されています。

詳細情報については、Desoutterウェブサイト (<https://www.desouttertools.com/legal/sds>) を参照してください。

## 著作権

© 著作権 2022, Ets Georges Renault, 38 rue Bobby Sands, 44818 Saint Herblain, France

無断複写・複製・転載を禁ず。本書の内容の一部または全部を無断転載あるいは不正使用することは禁止されています。上記禁止行為は、特に商標、モデルの文書化、部品番号および図面に適用されます。認可済みの部品のみ使用してください。未認可の部品の使用によって引き起こされる一切の損傷または誤動作は、保証責任または製造物責任の対象とはなりません。

## 기술 자료

### 기술 데이터

### 전원 장치

공구 전원으로 작동 (5V)

### 소비 전력

2.5 W

### 중량

0.02 kg

0.044 lb

### 보관 및 사용 조건

보관 온도	-20 ~ +70 °C (-4 ~ +158 F)
작동 온도	0 ~ 45 °C (32 ~ 113 F)
보관 습도	0-95 % RH (비응축)
작동 습도	0-90 % RH (비응축)
최대 고도	2000 m (6562 피트)
오염도 2 환경에서 사용 가능	
실내 전용	

### 무선 통신 사양

채널	1
중심 주파수 (MHz)	3494.4
주파수 (MHz) *	3244.8 – 3744
대역폭 (MHz) *	499.2
피크 전력의 최대 값 (dBm)	< 0
공인 국가 **	미국

채널	2 (기본값)
중심 주파수 (MHz)	3993.6

## Safety Information

주파수 (MHz) *	3774 – 4243.2
대역폭 (MHz) *	499.2
피크 전력의 최대 값 (dBm) <	0
공인 국가 **	유럽, 미국

<b>채널</b>	<b>3</b>
중심 주파수 (MHz)	4492.8
주파수 (MHz) *	4243.2 – 4742.4
대역폭 (MHz) *	499.2
피크 전력의 최대 값 (dBm) <	0
공인 국가 **	유럽, 미국

<b>채널</b>	<b>4</b>
중심 주파수 (MHz)	3993.6
주파수 (MHz) *	3228 – 4659.2
대역폭 (MHz) *	1331.2
피크 전력의 최대 값 (dBm) <	0
공인 국가 **	유럽, 미국

<b>채널</b>	<b>5</b>
중심 주파수 (MHz)	6489.6
주파수 (MHz) *	6240 – 6739.2
대역폭 (MHz) *	499.2
피크 전력의 최대 값 (dBm) <	0
공인 국가 **	유럽, 미국

<b>채널</b>	<b>7</b>
중심 주파수 (MHz)	6489.6
주파수 (MHz) *	5980.3 – 6998.9
대역폭 (MHz) *	1081.6
피크 전력의 최대 값 (dBm) <	0
공인 국가 **	미국

\*: UWB IEEE802.15.4-2011에 따름

\*\*: 사용하기 전에 추적기가 현지 규정을 준수하도록 조정해야 합니다. 일부 채널은 현지에서 금지될 수 있습니다. 자세한 내용은 데소터 담당자에게 문의하십시오.

UWB 시스템(IEEE 802.14.5)을 사용하는 장치 사이에 간섭이 발생할 수 있습니다. 이러한 간섭을 피하거나 줄이기 위해 다음과 같은 완화 조치를 사용할 수 있습니다:

- CVI 모니터를 통해 추적 기반에서 최대 무선 범위를 줄이십시오.
- 장치 간 거리를 늘리십시오.

## 선언

### EU 적합성 선언

Ets Georges Renault, 38 rue Bobby Sands, 44818 Saint Herblain, France은(는) 제품(이름, 종류 및 일련번호 포함, 제1면 참조)이 다음 지침을 준수하고 있음을 당사의 전적인 책임 하에 선언합니다.



2011/65/EU, 2014/53/EU

합의 표준 적용:

EN 62841-2-2:2014+C1:2016; EN 62311: 2008; EN 302 065-2 v2.1.1; EN 301 489-33 v2.2.1; EN 301 489-1 v2.2.3; EN 61000-6-2:2019

관련 기술 정보는 관계 당국에서만 요청할 수 있음:

Pascal ROUSSY, R&D Manager, 38 rue Bobby Sands, 44818 Saint Herblain, France

Saint Herblain, 2022/07/04

Pascal ROUSSY, R&D Manager

### EU 유형 검사

인증 기관 EMITECH(식별 번호 0536)는 2014/53/EU의 지침의 부칙 III (모듈 B) 절차에 따라 기술 문서의 적합성 평가를 수행하였으며, EU-유형 검사 인증서 번호 21-I037\_C인 인증서를 발행하였습니다.

### WEEE

폐전기전자제품 (WEEE)에 관한 정보:

본 제품 및 해당 정보는 WEEE 지침/규정(2012/19/EU)의 요건을 충족하며, 반드시 해당 지침/규정에 따라 처리되어야 합니다.

본 제품에는 다음 기호가 표시되어 있습니다.



바퀴 달린 쓰레기통 기호와 그 아래에 검은 색 막대 하나가 표시된 제품에는 WEEE 지침/규정에 따라 처리해야 하는 부품이 포함되어 있습니다. 처리를 위해 전체 제품 또는 WEEE 부품은 “고객 센터”로 발송될 수 있습니다.

### 지역 요구 사항

#### ⚠ 경고

이 제품을 사용하면 캘리포니아 주에서 보고된 암 및 선천적 장애 또는 기타 출산 장애를 유발하는 납을 포함한 화학 물질에 노출될 수 있습니다. 자세한 정보는 <https://www.p65warnings.ca.gov/> 웹 사이트를 참조하십시오.

<https://www.p65warnings.ca.gov/>

### REACH 33조에 관한 정보

등록, 평가, 허가 및 화학 물질 규제(REACH: Registration, Evaluation, Authorization and restriction of Chemicals)에 관한 유럽 규정 (EU) No. 1907/2006은 공급망에서 커뮤니케이션과 관련된 요구 사항을 정의합니다. 정보 요구 사항

은 소위 매우 우려가 되는 물질(이하 “후보목록”)이 포함된 제품에도 적용됩니다. 2018년 6월 27일 납 금속(CAS no 7439-92-1)이 후보 목록에 추가되었습니다.

위의 내용에 의거하여 제품의 특정 전기 및 기계 부품에 납 금속이 포함될 수 있음을 알려드립니다. 이는 현재의 물질 제한 법안에 적법하며 RoHS 지침(2011 / 65 / EU)의 합법적 면제에 근거합니다. 납 금속은 정상적인 사용 중에는 제품에서 누출되거나 변이가 되지 않으며, 완제품에서 납 금속의 농도는 적용 기준 한계보다 훨씬 낮습니다. 제품 폐기시 납의 폐기에 대한 현지 요구 사항을 고려하십시오.

## 안전

버리지 마십시오 – 사용자에게 주십시오

### ⚠ 경고 이 제품과 함께 제공되는 모든 안전 경고, 지침, 그림 및 사양을 읽으십시오.

아래 나열된 지침을 모두 따르지 않으면 감전, 화재, 재산의 손해 및/또는 심각한 부상이 발생할 수 있습니다.

나중에 참조할 수 있도록 모든 경고와 지침을 보관하십시오.

### ⚠ 경고 설치, 운영 및 유지보수에 대해 지역별로 지정된 안전 규칙은 언제나 지켜야 합니다.

## 용도 선언

- 전문 용도로만 사용하십시오.
- 이 제품과 그 부속품을 변형시켜서는 안 됩니다.
- 이 제품이 손상된 경우 사용하지 마십시오.
- 제품 데이터 또는 위험 경고 징후가 보이거나 확실한 경우, 기다리지 말고 즉시 교체하십시오.
- 이 제품은 산업용 조립 환경에서 자격을 갖춘 담당자만 설치, 작동 및 수리할 수 있습니다.

## 용도

추적기는 Desoutter EABS 무선 너트러너에 설치되도록 설계되었습니다. (아래 목록 참조). 다른 용도로 사용하는 것을 금지합니다. 전문적인 용도로만 사용하십시오.

모델	부품 번호
EABS8-1500-4S	6151660870
EABS8-1500-4Q	6151660880
EABS12-1100-4S	6151660890
EABS12-1100-10S	6151660900
EABS12-1100-4Q	6151660910
EABS17-800-4S	6151660920
EABS17-800-10S	6151660930
EABS17-800-4Q	6151660940
EABS24-500-10S	6151660950
EABS24-500-4Q	6151660960

추적기는 UWB(초광대역:Ultra-Wide Band) 기술을 통해 워크스테이션에 설치된 추적 베이스와 통신합니다.

모델	부품 번호
추적 베이스	6158133350

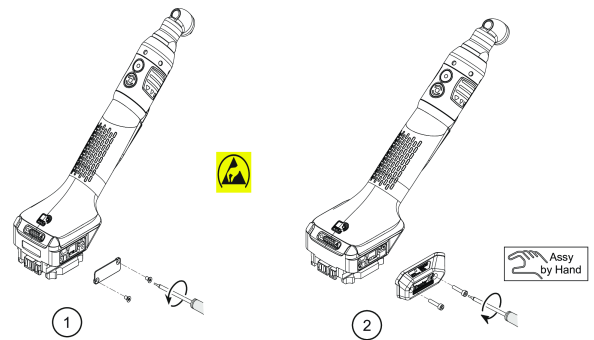
## 제품별 설명

### 최소 펌웨어 및 소프트웨어 버전

제품	버전
EABS	V 6.0.x
CONNECT	V 2.1.5.x
CVI CONFIG	V 2.3.4.x

## 추적기 설치

조립하기 전에 배터리 팩을 제거하십시오.



### ⚠ 경고 정전기 발생 위험



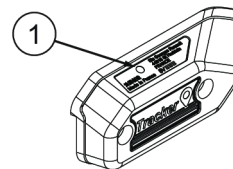
작업자가 접하지 않을 경우 정전기 발생 위험이 존재합니다.

▶ 정전기 방지 손목 끈을 착용하십시오.

1. 커버 플레이트를 제거하십시오. 필요한 경우 나중에 사용할 수 있도록 보관하십시오.
2. 추적기를 제자리에 놓으십시오. 손으로 조이십시오.

## 추적기의 전원 켜는 방법 및 활성화 방법

배터리 팩을 공구에 연결합니다.



### 1 표시등

시동 중에는 표시등이 녹색으로 5초 동안 깜박이며 전원 공급 장치가 도구에 의해 올바르게 제공되었음을 나타냅니다.

표시등이 빨간색으로 깜박이면 추적기에 펌웨어나 손상된 펌웨어가 설치되지 않았음을 의미합니다.

## Safety Information

추적기를 활성화하려면 CONNECT로 이동하세요.

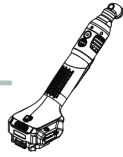
- ① 추적 베이스의 제품 지침(인쇄물 번호 6159925540)은 <https://www.desouttertools.com/resource-centre>에서 다운로드하여 참조할 수 있습니다.

추적기는 UWB를 통해 전용 추적 기반과 통신합니다.



Tracking base

UWB



추적기 펌웨어 업그레이드 프로세스는 다음 문서에 설명되어 있습니다.

- 추적 베이스의 제품 지침(인쇄물 번호 6159925540)은 <https://www.desouttertools.com/resource-centre>에서 다운로드하여 참조할 수 있습니다.
- 추적 베이스 모델 유형:

추적 베이스 유형 모델	추적 베이스 일련 번호 색인	생산 일자
CE만 해당	4900xxxxxxx ~ 4903xxxxxxx 색인 = 0 ~ 3	2021년 이전
CE & FCC	4904xxxxxxx 및 이상, 시작 색인 = 4	2021년 이후

LED 색상	설명
녹색 - 계속 켜짐	추적 베이스와 통신이 설정되었습니다.
빨간색 - 계속 켜짐	추적 베이스와 통신이 설정되지 않았습니다.
파란색 - 계속 켜짐	추적 베이스와 통신이 끊어졌거나 추적기에서 보이지 않습니다.

### 안전 지침

공구와 함께 제공된 안전 정보 문서를 숙지하시거나 <https://www.desouttertools.com/resource-centre>에서 제공되는 안전 정보 문서를 검색창에 6159920690를 입력하여 다운로드 하신 후 숙지하십시오.

### 유용한 정보

#### 웹사이트

제품, 부속품, 예비 부품 및 게시된 사안에 관한 정보는 Desoutter 웹 사이트에서 찾을 수 있습니다.

다음 자료 및 웹 사이트를 참조해 주세요.

[www.desouttertools.com](http://www.desouttertools.com).

### 설치 메뉴얼에 대한 정보

상세한 운영 지침, 설치 및 업그레이드 메뉴얼은 <https://www.desouttertools.com/resource-centre>에서 확인할 수 있습니다.

### 예비 부품에 대한 정보

분해도 및 예비 부품 목록은 서비스 링크 [www.desouttertools.com](http://www.desouttertools.com)에 나와 있습니다.

### 원산지 국가

France

### 안전 보건 자료 MSDS/SDS

안전 데이터 시트는 Desoutter가 판매하는 화학 제품을 설명합니다.

자세한 정보는 Desoutter 웹사이트 <https://www.desouttertools.com/legal/sds>를 참조하십시오.

### 저작권

© Copyright 2022, Ets Georges Renault, 38 rue Bobby Sands, 44818 Saint Herblain, France

모든 권리 보유. 본 문서의 내용 또는 내용의 일부에 대한 비 승인된 모든 사용 또는 복사 행위는 엄격히 금지됩니다. 이는 특히, 상표, 모델 명칭, 부품 번호 및 도면에 적용됩니다. 승인된 부품만 사용하십시오. 비 인가된 부품을 사용함으로써 인해 발생하는 모든 손상 또는 고장은 보증 또는 생산물 책임 범위에 포함되지 않습니다.









Original instructions  
Traduction de la notice originale  
Übersetzung der Originalbetriebsanleitung  
Traducción de las instrucciones originales  
Tradução das instruções originais  
Traduzione delle istruzioni originali  
Vertaling van oorspronkelijke instructies  
Oversættelse af originalvejledning  
Oversættelse av originalinstruksjoner.  
Käännös alkuperäisistä ohjeista  
Μετάφραση πρωτότυπων οδηγιών  
Översättning av ursprungliga instruktioner  
Перевод оригиналов инструкций  
Tłumaczenie oryginalnej instrukcji

Preklad originálnych pokynov  
Překlad původních pokynů  
Eredeti utasítások fordítása  
Prevod izvirnih navodil  
Traducerea instrucțiunilor originale  
Orijinal talimatların çevirisi  
Превод на оригиналните инструкции  
Prijevod originalnih uputa  
Originaaljuhiste tõlge  
Originalių instrukcijų vertimas  
Oriģinālo instrukciju tulkojums  
原始说明的翻译  
使用說明書初出翻譯  
원본 설명서의 번역문

Founded in 1914 and headquartered in France, Desoutter Industrial Tools is a global leader in electric and pneumatic assembly tools serving a wide range of assembly and manufacturing operations, including Aerospace, Automotive, Light and Heavy Vehicles, Off-Road, General Industry.

Desoutter offers a comprehensive range of Solutions -tools, service and projects- to meet the specific demands of local and global customers in over 170 countries.

The company designs, develops and delivers innovative quality industrial tool solutions, including Air and Electric Screwdrivers, Advanced Assembly Tools, Advanced Drilling Units, Air Motors and Torque Measurement Systems.

Find more on [www.desouttertools.com](http://www.desouttertools.com)



**More Than Productivity**

Ets Georges Renault  
38 rue Bobby Sands  
44818 Saint Herblain - FR  
Phone: +33 (0)240 802 000  
[www.desouttertools.com](http://www.desouttertools.com)