

Cordless Angle Nutrunner

Safety Information

Valid from Serial No. 19M00000 to 23Z99999

Model

- EABA26-560-QRX
- EABA32-410-QRX
- EABA45-330-QRX
- EABA50-450-QRX
- EABA60-370-QRX
- EABA75-300-QRX
- EABA95-240-QRX

Part number

- 6151660800
- 6151660810
- 6151660820
- 6151660830
- 6151660840
- 6151660850
- 6151660860



Download the latest version of this document at www.desouttertools.com/?s=6159928040

WARNING	
	<p>To reduce risk of injury, everyone using, installing, repairing, maintaining, changing accessories on, or working near this tool MUST read and understand these instructions before performing any such task.</p> <p>DO NOT DISCARD - GIVE TO USER</p>



Table of Contents

EN	Safety Information.....	3
FR	Informations concernant la sécurité	10
DE	Sicherheitshinweise.....	17
ES	Información sobre seguridad.....	24
PT	Informação de Segurança.....	31
IT	Informazioni sulla sicurezza.....	38
NL	Veiligheidsinformatie.....	45
DA	Sikkerhedsoplysninger	52
NO	Sikkerhetsinformasjon.....	58
FI	Turvallisuustiedot.....	65
EL	Πληροφορίες για την ασφάλεια	71
SV	Säkerhetsinformation	78
RU	Информация по технике безопасности	85
PL	Informacje dotyczące bezpieczeństwa	93
SK	Bezpečnostné informácie	100
CS	Bezpečnostní informace	106
HU	Biztonsággal kapcsolatos tudnivalók	113
SL	Varnostne informacije.....	120
RO	Informații privind siguranța	126
TR	Güvenlik bilgileri	133
BG	Информация за безопасност.....	139
HR	Sigurnosne informacije	147
ET	Ohutus informatsioon.....	153
LT	Saugos informacija.....	160
LV	Drošības informācija	166
ZH	安全信息.....	173
JA	安全情報.....	179
KO	안전 정보.....	185

Technical Data

Technical data

Voltage (V)

36 V 

Output drive

Model	Type
EABA26-560-QRX	Quick Release Output
EABA32-410-QRX	Quick Release Output
EABA45-330-QRX	Quick Release Output
EABA50-450-QRX	Quick Release Output
EABA60-370-QRX	Quick Release Output
EABA75-300-QRX	Quick Release Output
EABA95-240-QRX	Quick Release Output

Torque range (Nm)

Model	Min. / Nominal / Max.
EABA26-560-QRX	5 / 24 / 26
EABA32-410-QRX	7 / 30 / 32
EABA45-330-QRX	9 / 40 / 45
EABA50-450-QRX	9 / 45 / 50
EABA60-370-QRX	10 / 55 / 60
EABA75-300-QRX	12 / 70 / 75
EABA95-240-QRX	19 / 90 / 95

Torque range (ft.lb)


Model	Min. / Nominal / Max.
EABA26-560-QRX	1.12 / 5.40 / 5.85
EABA32-410-QRX	1.57 / 6.74 / 7.19
EABA45-330-QRX	2.02 / 8.99 / 10.12
EABA50-450-QRX	2.02 / 10.12 / 11.24
EABA60-370-QRX	2.25 / 12.36 / 13.49
EABA75-300-QRX	2.70 / 15.74 / 16.86
EABA95-240-QRX	4.27 / 20.23 / 21.36

Rated speed (rpm)

Model	
EABA26-560-QRX	560
EABA32-410-QRX	410
EABA45-330-QRX	330
EABA50-450-QRX	450
EABA60-370-QRX	370
EABA75-300-QRX	300
EABA95-240-QRX	240

Weight

Model	(kg)	(lb)
EABA26-560-QRX	2.04	4.50
EABA32-410-QRX	2.04	4.50
EABA45-330-QRX	2.21	4.87
EABA50-450-QRX	2.49	5.49
EABA60-370-QRX	2.82	6.22
EABA75-300-QRX	3.42	7.54
EABA95-240-QRX	3.46	7.63

 The weight is given without the battery pack.

Storage and use conditions

Storage temperature	-20 to +70 °C (-4 to +158 F)
Operating temperature	0 to 45 °C (32 to 113 F)
Storage humidity	0-95 % RH (non-condensing)
Operating humidity	0-90 % RH (non-condensing)
Altitude up to	2000 m (6562 feet)
Usable in Pollution degree 2 environment	
Indoor use only	

Wireless Communication Specifications

RFID 13.56 MHz

Frequency	13.553 MHz - 13.567 MHz
H-Field	< 42 dBµA/m at 10 m according to ETSI EN 300 330 v2.1.1

Declarations

Liability

Many events in the operating environment may affect the tightening process and shall require a validation of results. In compliance with applicable standards and/or regulations, we hereby require you to check the installed torque and rotational direction after any event that can influence the tightening result. Examples of such events include but are not limited to:

- initial installation of the tooling system
- change of part batch, bolt, screw batch, tool, software, configuration or environment
- change of air- or electrical connections
- change in line ergonomics, process, quality procedures or practices
- changing of operator
- any other change that influences the result of the tightening process

The check should:

Safety Information

- Ensure that the joint conditions have not changed due to events of influence.
- Be done after initial installation, maintenance or repair of the equipment.
- Occur at least once per shift or at another suitable frequency.

EU DECLARATION OF CONFORMITY

We, **Ets Georges Renault**, 38 rue Bobby Sands, 44818 Saint Herblain, France, declare under our sole responsibility that the product (with name, type and serial number, see front page) is in conformity with the following Directive(s): **2006/42/EC, 2011/65/EU, 2014/53/EU**

Harmonized standards applied:

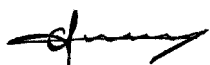
EN 62841-2-2 :2015+AC1 :2015 EN 61000-6-2 :2005 EN 61000-6-3 :2007+A1 :2011 EN 61326-2-3 :2006 EN 301 489-3 V2.1.1 EN 62311 :200

Authorities can request relevant technical information from: Pascal ROUSSY, R&D Manager, 38 rue Bobby Sands, 44818 Saint Herblain, France

Saint-Herblain, 2021/09/13

Pascal ROUSSY, R&D Manager

Signature of issuer



UK Declaration of Conformity

We **Ets Georges Renault**, 38 rue Bobby Sands, 44818 Saint Herblain, France, declare under our sole responsibility that the product (with name, type and serial number, see front page) is in conformity with the following UK Regulation(s):

- **Supply of Machinery (Safety) Regulations 2008**
- **The Restriction of the Use of Certain Hazardous Substances in Electrical and Electronic Equipment Regulations 2012**
- **Radio Equipment Regulations 2017**

Designated Standards applied:

EN 62841-2-2 :2014+AC1 :2015; EN 61000-6-2 :2005; EN 61000-6-3 :2007+A1 :2011; EN 61326-2-3 :2006; EN 301 489-3 V2.1.1; EN 62311 :2008

Authorities can request relevant technical information from: Pascal ROUSSY, R&D Manager, 38 rue Bobby Sands, 44818 Saint Herblain, France

Saint-Herblain, 06/04/2022

Pascal ROUSSY, R&D Manager

Signature of issuer



Authorities can request relevant technical information from:

UK Authorized Representative:

Air Compressors & Tools Ltd

Zodiac – Unit 4, Boundary way

Hemel Hempstead Industrial Estate, HP27SJ Hempestead

Hertfordshire – UK

Contact: M.Taylor

Noise and Vibration Declaration Statement

- Sound power level < 70 dB(A) , uncertainty 3 dB(A), in accordance with EN 62841-2-2 : 2014.
- Vibration total value < 2.5 m/s², uncertainty 3 m/s², in accordance with EN 62841-2-2 : 2014.

These declared values were obtained by laboratory type testing in accordance with the stated standards and are suitable for comparison with the declared values of other tools tested in accordance with the same standards. The vibration emission level may be used for a preliminary assessment of exposure. These declared values are not adequate for use in risk assessments and values measured in individual work places may be higher. The actual exposure values and risk of harm experienced by an individual user are unique and depend upon the way the user works, the workpiece and the workstation design, as well upon the exposure time and the physical condition of the user.

We, **Ets Georges Renault**, cannot be held liable for the consequences of using the declared values, instead of values reflecting the actual exposure, in an individual risk assessment in a work place situation over which we have no control.

This tool may cause hand-arm vibration syndrome if its use is not adequately managed. An EU guide to managing hand-arm vibration can be found by accessing <http://www.pneurop.eu/index.php> and selecting 'Tools' then 'Legislation'.

We recommend a programme of health surveillance to detect early symptoms which may relate to noise or vibration exposure, so that management procedures can be modified to help prevent future impairment.

- ① If this equipment is intended for fixtured applications:
The noise emission is given as a guide to the machine-builder. Noise and vibration emission data for the complete machine should be given in the instruction manual for the machine.

WEEE

Information concerning **Waste of Electrical and Electronic Equipment (WEEE)**:

This product and its information, meets the requirements of the WEEE directive/regulations (2012/19/EU), and must be handled in compliance with the directive/regulations.

The product is marked with the following symbol:



Products marked with a crossed-out wheeled bin symbol and a single black bar underneath, contain parts that must be handled in compliance with the WEEE directive/regulations. The entire product, or the WEEE parts, can be sent to your “Customer Center” for handling.

Information Regarding Article 33 in REACH

The European Regulation (EU) No. 1907/2006 on Registration, Evaluation, Authorization and restriction of Chemicals (REACH) defines among other things requirements related to communication in the supply chain. The information requirement applies also to products containing so called Substances of Very High Concern (the “Candidate List”). On 27 June 2018 lead metal (CAS nr 7439-92-1) was added to the Candidate List.

In accordance with the above this is to inform you that certain electrical and mechanical components in the product may contain lead metal. This is in compliance with current substance restriction legislation and based on legit exemptions in the RoHS Directive (2011/65/EU). Lead metal will not leak or mutate from the product during normal use and the concentration of lead metal in the complete product is well below the applicable threshold limit. Please consider local requirements on the disposal of lead at product end of life.

Regional Requirements

WARNING

This product can expose you to chemicals including lead, which is known to the State of California to cause cancer and birth defects or other reproductive harm. For more information go to

<https://www.p65warnings.ca.gov/>

FCC compliance Class B

This device complies with Part 15 of the FCC Rules. Any changes or modifications not expressly approved by the manufacturer could void the user’s authority to operate this device.

Operation is subject to the following two conditions: (1) this device may not cause harmful interference, and (2) this device must accept any interference received, including interference that may cause undesired operation.

FCC Responsible party:

Name: Mark Johnson


Position: General Manager

Address: Chicago Pneumatic Tool Company
LLC 1815 Clubhouse Road Rock Hill
SC 29730

USA

Mobile: +1 800 624 4735

Email: mark.johnson@desouttertools.com

 This equipment has been tested and found to comply with the limits for a Class B digital device, pursuant to part 15 of the FCC Rules. These limits are designed to provide reasonable protection against harmful interference in a residential installation. This equipment generates, uses and can radiate radio frequency energy and, if not installed and used in accordance with the instructions, may cause harmful interference to radio communications. However, there is no guarantee that interference will not occur in a particular installation. If this equipment does cause harmful interference to radio or television reception, which can be determined by turning the equipment off and on, the user is encouraged to try to correct the interference by one or more of the following measures:

- Reorient or relocate the receiving antenna.
- Increase the separation between the equipment and receiver.
- Connect the equipment into an outlet on a circuit different from that to which the receiver is connected.
- Consult the dealer or an experienced radio/TV technician for help.

FCC SAR (DAS) not required

This portable equipment with its antenna complies with FCC’s radiation exposure limits set forth for an uncontrolled environment. To maintain compliance, follow the instructions below:

- This transmitter must not be co-located or operating in conjunction with any other antenna or transmitter.
- Avoid direct contact to the antenna, or keep contact to a minimum while using this equipment.

IC compliance Class B

CAN ICES-3(B)/NMB-3(B)

(English) This device complies with Innovation, Science and Economic Development Canada’s licence-exempt RSSs. Operation is subject to the following two conditions:

- 1) This device may not cause interference; and
- 2) This device must accept any interference, including interference that may cause undesired operation of the device.

(French) Le présent appareil est conforme aux CNR d’Innovation, Sciences et Développement économique Canada applicables aux appareils radio exempts de licence. L’exploitation est autorisée aux deux conditions suivantes:

- 1) l’appareil ne doit pas produire de brouillage;
- 2) l’appareil doit accepter tout brouillage radioélectrique subi, même si le brouillage est susceptible d’en compromettre le fonctionnement.

IC SAR (DAS) not required

This portable equipment with its antenna complies with RSS102’s radiation exposure limits set forth for an uncontrolled environment. To maintain compliance, follow the instructions below:

- This transmitter must not be co-located or operating in conjunction with any other antenna or transmitter.

Safety Information

- Avoid direct contact to the antenna, or keep contact to a minimum while using this equipment.

Conformity to North American standards



Intertek

5000701

Listed
 Conforms to UL 62841-1 and
 UL 62841-2-2
 Certified to CSA C22.2 No.
 62841-1 and CSA C22.2 No.
 62841-2-2

Safety

DO NOT DISCARD - GIVE TO USER

⚠ WARNING All locally legislated safety rules regarding installation, operation and maintenance shall be respected at all times.

Statement of Use

- For professional use only.
- This product and its accessories must not be modified in any way.
- Do not use this product if it has been damaged.
- If the product data or hazard warning signs on the product cease to be legible or become detached, replace without delay.
- The product must only be installed, operated and serviced by qualified personnel in an industrial environment.

Intended use

This product is designed for installing and removing threaded fasteners in wood, metal or plastic. No other use permitted. For professional use only.

Use the following Desoutter battery packs only.

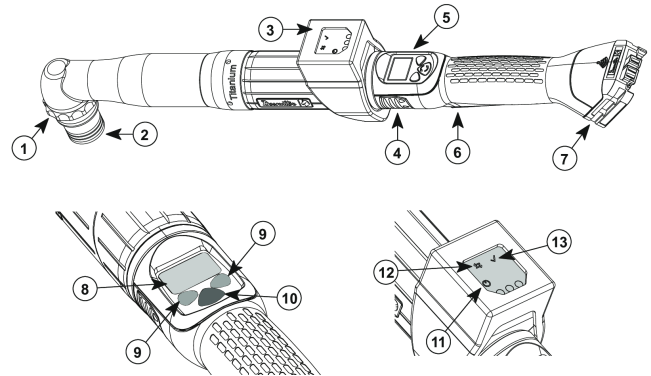
- Battery pack 18 V 2.5 Ah, part number 6158132660
- Battery pack 36 V 2.5 Ah, part number 6158132670

Battery packs must be charged with the Desoutter battery pack charger (6158132700) **only**.

For complete instructions, refer to the battery pack charger Safety Instructions (6159925310) and Product Instructions available in several languages at <https://www.desouttertools.com/resource-centre>

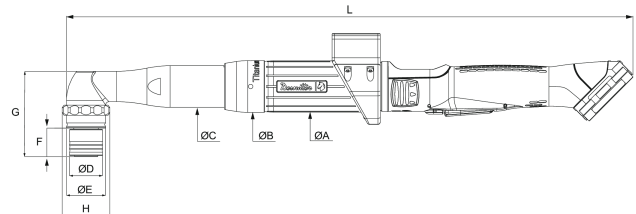
Product Specific Instructions

Product description



- 1 Mounting adapter for Crowfoot
- 2 Quick-release output
- 3 QR accessory reader
- 4 Reporting LEDs
- 5 Display and buttons
- 6 Trigger
- 7 Battery footprint
- 8 Display
- 9 Programming buttons
- 10 Reverse button
- 11 Indicator showing that the accessory is powered on.
- 12 Reading/writing in progress
- 13 The assigned Pset is ready.

Dimensions (mm)



Model	L	ØA	ØB
EABA26-560-QRX	496	46	46
EABA32-410-QRX	496	46	46
EABA45-330-QRX	506	46	46
EABA50-450-QRX	546	46	46
EABA60-370-QRX	559	46	58
EABA75-300-QRX	582	46	58
EABA95-240-QRX	582	46	58

Model	ØC	D	E
EABA26-560-QRX	37	25	28
EABA32-410-QRX	37	25	28
EABA45-330-QRX	37	30	35
EABA50-450-QRX	37	30	35
EABA60-370-QRX	41	33	40

EABA75-300-QRX	49	34	43
EABA95-240-QRX	49	34	43
<hr/>			
Model	F	G	H
EABA26-560-QRX	22	68	35
EABA32-410-QRX	22	68	35
EABA45-330-QRX	25	76	44
EABA50-450-QRX	25	76	44
EABA60-370-QRX	27	85	49
EABA75-300-QRX	28	88	52
EABA95-240-QRX	28	88	52

General Installation Safety

Refer installation to qualified personnel only.

Hang the tool securely, by for example using a balancer.

When using a suspension yoke, check that it is in good condition and correctly fastened.

For corded tools: Always connect the system to an earthed outlet. Always make sure that the mains plug is disconnected and the controller is turned off before connecting or disconnecting the tool cable.

General Operation Safety

- **Due to entanglement risk, do not wear gloves.**
- **Be prepared of the reaction force which will occur when the tool is used.** Always support the tool's handle securely in the direction opposite to the spindle rotation, in order to reduce the effect of sudden torque reaction during final tightening and initial loosening.
- **Never hold the drive, socket or drive extension.**
- **Operators and maintenance personnel must be physically able to handle the bulk, weight and power of the tool.**
- **If possible, use a suspension arm to absorb the reaction torque. If that is not possible, side handles are recommended for straight-case and pistol-grip tools; reaction bars are recommended for angle nutrunners.** It is recommended to use a means to absorb the reaction torque above 4 Nm (3 lbf.ft) for straight-case tools, above 10 Nm (7.5 lbf.ft) for pistol-grip tools, and above 60 Nm (44 lbf.ft) for angle nutrunners.
- **Serious injury can result from over-torqued or under-torqued fasteners.** Assemblies requiring a specific torque must be checked using a torque meter. So-called "click" torque wrenches do not check for potentially dangerous over-torqued conditions. Over-torqued or under-torqued fasteners can break, loosen or separate. Released assemblies can become projectiles.
- **Use only power or impact sockets in good condition.** Do not use hand sockets.
- **When using a power tool, the operator may feel discomfort in the hands, arms, shoulders, neck, or other parts of the body.** Vary between appropriate postures throughout the work day, maintain a secure footing and avoid awkward or off-balance postures.

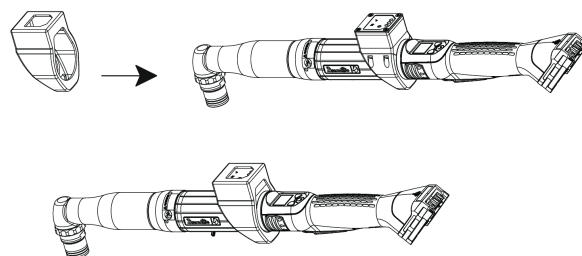
- **Repetitive work motions, awkward positions and exposure to vibration can be harmful to hands and arms.** If numbness, tingling, pain or whitening of the skin occurs, stop using tool and consult a physician.
- **Take caution when operating in confined spaces.** Beware of crushing hands between tool and workpiece.
- **High sound levels can cause permanent hearing loss.** Use hearing protection as recommended by your employer or occupational health and safety regulations.
- **Ensure that the workpiece is securely fixed.**
- **Proceed with care in unfamiliar surroundings.** Be aware of potential hazards created by your work activity. This tool is not insulated from coming into contact with electric power sources.

Tools used together with a reaction bar: Never put your hand near or close to the reaction bar while the tool is being used. Be aware of the rotational direction of the spindle before starting the tool, the reaction force may work in an unexpected direction with risk of crushing injuries.

For tools containing a clutch: Immediately after adjusting the clutch, check for correct operation.

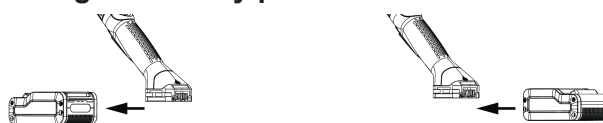
How to mount the cover on the reader

- i** It is strongly recommended to mount the cover supplied in the packaging to protect the reader from shocks and damage.



Slide the cover on the tool.
Push it strongly over the reader.

Inserting the battery pack



Insert the battery pack in front or behind the tool until a locking sound can be clearly heard.

There is no ON/OFF switch: the tool is ready to operate as soon as a battery pack is mounted.

When the tool is powered on, tool LEDs are blinking.

NOTICE Usage recommendations for battery packs
Ensure a longer service life of the battery pack.

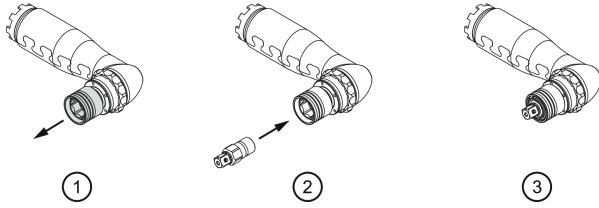
- ▶ Unplug the battery pack when the tool is not used.

Do not leave the battery pack on the charger when the charger power supply is off.

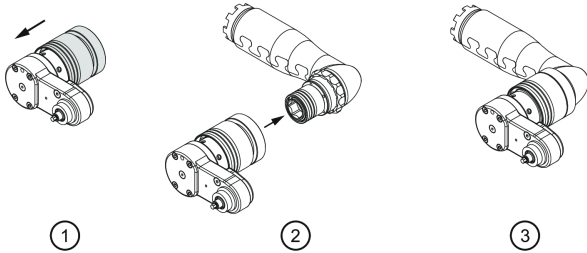
Safety Information

How to plug accessories

Socket



Crowfoot



Plug an accessory into the quick-release output as shown and assign a Pset to it.

Starting the tool

Fit the tool with a suitable socket.

Select the appropriate Pset.

Hold the tool by means of the handle and apply to the fastener to be tightened.

⚠️ WARNING Risk Of Injury

As the reaction force increases in proportion to the tightening torque, there is a risk of severe bodily injury of the operator as a result of unexpected behavior of the tool.

- ▶ Make sure that the tool is in perfect working order and the system is programmed correctly.

Press the trigger to start the tool.

How to reverse the rotation



1 Run reverse button

Press this button.

Red and green LEDs are blinking alternatively.

Apply the tool to the fastener and press the trigger.

General Service and Maintenance Safety

Always keep the controller switched off during service in order to avoid unexpected start-up.

Refer servicing to qualified personnel only.

Cleaning Instructions

Clean parts with a damp cloth. Only use water, no cleansers containing solvents should be used.

Contact your Desoutter service technician for cleaning advice as per current recommendations and for your particular tool.

General Power Tool Safety Warnings

⚠️ WARNING Read all safety warnings, instructions, illustrations and specifications provided with this power tool.

Failure to follow all instructions listed below may result in electric shock, fire and/or serious injury.

Save all warnings and instructions for future reference.

The term “power tool” in the warnings refers to your mains-operated (corded) power tool or battery-operated (cordless) power tool.

Work area safety

- **Keep work area clean and well lit.** Cluttered or dark areas invite accidents.
- **Do not operate power tools in explosive atmospheres, such as in the presence of flammable liquids, gases or dust.** Power tools create sparks which may ignite the dust or fumes.
- **Keep children and bystanders away while operating a power tool.** Distractions can cause you to lose control.

Electrical safety

- **Power tool plugs must match the outlet. Never modify the plug in any way. Do not use any adapter plugs with earthed (grounded) power tools.** Unmodified plugs and matching outlets will reduce risk of electric shock.
- **Avoid body contact with earthed or grounded surfaces, such as pipes, radiators, ranges and refrigerators.** There is an increased risk of electric shock if your body is earthed or grounded.
- **Do not expose power tools to rain or wet conditions.** Water entering a power tool will increase the risk of electric shock.
- **Do not abuse the cord. Never use the cord for carrying, pulling or unplugging the power tool. Keep cord away from heat, oil, sharp edges or moving parts.** Damaged or entangled cords increase the risk of electric shock.
- **When operating a power tool outdoors, use an extension cord suitable for outdoor use.** Use of a cord suitable for outdoor use reduces the risk of electric shock.
- **If operating a power tool in a damp location is unavoidable, use a residual current device (RCD) protected supply.** Use of an RCD reduces the risk of electric shock.

Personal safety

- **Stay alert, watch what you are doing and use common sense when operating a power tool. Do not use a power tool while you are tired or under the influence**

of drugs, alcohol or medication. A moment of inattention while operating power tools may result in serious personal injury.

- **Use personal protective equipment. Always wear eye protection.** Protective equipment such as dust mask, non-skid safety shoes, hard hat, or hearing protection used for appropriate conditions will reduce personal injuries.
- **Prevent unintentional starting. Ensure the switch is in the off-position before connecting to power source and/or battery pack, picking up or carrying the tool.** Carrying power tools with your finger on the switch or energising power tools that have the switch on invites accidents.
- **Remove any adjusting key or wrench before turning the power tool on.** A wrench or a key left attached to a rotating part of the power tool may result in personal injury.
- **Do not overreach. Keep proper footing and balance at all times.** This enables better control of the power tool in unexpected situations.
- **Dress properly. Do not wear loose clothing or jewellery. Keep your hair and clothing away from moving parts.** Loose clothes, jewellery or long hair can be caught in moving parts.
- **If devices are provided for the connection of dust extraction and collection facilities, ensure these are connected and properly used.** Use of dust collection can reduce dust-related hazards.
- **Do not let familiarity gained from frequent use of tools allow you to become complacent and ignore tool safety principles.** A careless action can cause severe injury within a fraction of a second.
- **Hold the power tool by insulated gripping surfaces, when performing an operation where the fastener may contact hidden wiring or its own cord.** Fasteners contacting a "live" wire may make exposed metal parts of the power tool "live" and could give the operator an electric shock.

Power tool use and care

- **Do not force the power tool. Use the correct power tool for your application.** The correct power tool will do the job better and safer at the rate for which it was designed.
- **Do not use the power tool if the switch does not turn it on and off.** Any power tool that cannot be controlled with the switch is dangerous and must be repaired.
- **Disconnect the plug from the power source and/or the battery pack, if detachable, from the power tool before making any adjustments, changing accessories, or storing power tools.** Such preventive safety measures reduce the risk of starting the power tool accidentally.
- **Store idle power tools out of the reach of children and do not allow persons unfamiliar with the power tool or these instructions to operate the power tool.** Power tools are dangerous in the hands of untrained users.

- **Maintain power tools and accessories. Check for misalignment or binding of moving parts, breakage of parts and any other condition that may affect the power tool's operation. If damaged, have the power tool repaired before use.** Many accidents are caused by poorly maintained power tools.
- **Keep cutting tools sharp and clean.** Properly maintained cutting tools with sharp cutting edges are less likely to bind and are easier to control.
- **Use the power tool, accessories and tool bits etc. in accordance with these instructions, taking into account the working conditions and the work to be performed.** Use of the power tool for operations different from those intended could result in a hazardous situation.
- **Keep handles and grasping surfaces dry, clean and free from oil and grease.** Slippery handles and grasping surfaces do not allow for safe handling and control of the tool in unexpected situations.

Battery tool use and care

- **Recharge only with the charger specified by the manufacturer.** A charger that is suitable for one type of battery pack may create a risk of fire when used with another battery pack.
- **Use power tools only with specifically designated battery packs.** Use of any other battery packs may create a risk of injury and fire.
- **When battery pack is not in use, keep it away from other metal objects, like paper clips, coins, keys, nails, screws or other small metal objects, that can make a connection from one terminal to another.** Shorting the battery terminals together may cause burns or a fire.
- **Under abusive conditions, liquid may be ejected from the battery; avoid contact. If contact accidentally occurs, flush with water. If liquid contacts eyes, additionally seek medical help.** Liquid ejected from the battery may cause irritation or burns.
- **Do not use a battery pack or tool that is damaged or modified.** Damaged or modified batteries may exhibit unpredictable behaviour resulting in fire, explosion or risk of injury.
- **Do not expose a battery pack or tool to fire or excessive temperature.** Exposure to fire or temperature above 130 °C may cause explosion.
- **Follow all charging instructions and do not charge the battery pack or tool outside the temperature range specified in the instructions.** Charging improperly or at temperatures outside the specified range may damage the battery and increase the risk of fire.

Service

- **Have your power tool serviced by a qualified repair person using only identical replacement parts.** This will ensure that the safety of the power tool is maintained.
- **Never service damaged battery packs.** Service of battery packs should only be performed by the manufacturer or authorized service providers.

Safety Information

Signs and Stickers

The product is fitted with signs and stickers containing important information about personal safety and product maintenance. The signs and stickers shall always be easy to read. New signs and stickers can be ordered by using the spare parts list.



s011050

Useful Information

Website

Information concerning our Products, Accessories, Spare Parts and Published Matters can be found on the Desoutter website.

Please visit: www.desouttertools.com.

Information about installation manuals

Detailed operating instructions, installation and upgrade manuals are available at <https://www.desouttertools.com/resource-centre>.

Information about spare parts

Exploded views and spare parts lists are available in Service Link at www.desouttertools.com.

Country of origin

France

Safety Data Sheets MSDS/SDS

The Safety Data Sheets describe the chemical products sold by Desoutter.

Please consult the Desoutter website for more information <https://www.desouttertools.com/legal/sds>.

Copyright

© Copyright 2022, Ets Georges Renault, 38 rue Bobby Sands, 44818 Saint Herblain, France

All rights reserved. Any unauthorized use or copying of the contents or part thereof is prohibited. This applies in particular to trademarks, model denominations, part numbers and drawings. Use only authorized parts. Any damage or malfunction caused by the use of unauthorised parts is not covered by Warranty or Product Liability.

Caractéristiques techniques

Caractéristiques techniques

Tension (V)

36 V

Accouplement

Modèle	Type
EABA26-560-QRX	Changement rapide
EABA32-410-QRX	Changement rapide
EABA45-330-QRX	Changement rapide
EABA50-450-QRX	Changement rapide
EABA60-370-QRX	Changement rapide
EABA75-300-QRX	Changement rapide
EABA95-240-QRX	Changement rapide

Plage de couple (Nm)

Modèle	Min. / Nominal / Max.
EABA26-560-QRX	5 / 24 / 26
EABA32-410-QRX	7 / 30 / 32
EABA45-330-QRX	9 / 40 / 45
EABA50-450-QRX	9 / 45 / 50
EABA60-370-QRX	10 / 55 / 60
EABA75-300-QRX	12 / 70 / 75
EABA95-240-QRX	19 / 90 / 95

Plage de couple (ft.lb)

Modèle	Min. / Nominal / Max.
EABA26-560-QRX	1,12 / 5,40 / 5,85
EABA32-410-QRX	1,57 / 6,74 / 7,19
EABA45-330-QRX	2,02 / 8,99 / 10,12
EABA50-450-QRX	2,02 / 10,12 / 11,24
EABA60-370-QRX	2,25 / 12,36 / 13,49
EABA75-300-QRX	2,70 / 15,74 / 16,86
EABA95-240-QRX	4,27 / 20,23 / 21,36

Vitesse nominale (tr/min)

Modèle	
EABA26-560-QRX	560
EABA32-410-QRX	410
EABA45-330-QRX	330
EABA50-450-QRX	450
EABA60-370-QRX	370
EABA75-300-QRX	300
EABA95-240-QRX	240

Poids

Modèle	(kg)	(lb)
EABA26-560-QRX	2,04	4,50
EABA32-410-QRX	2,04	4,50
EABA45-330-QRX	2,21	4,87
EABA50-450-QRX	2,49	5,49
EABA60-370-QRX	2,82	6,22
EABA75-300-QRX	3,42	7,54

Modèle	(kg)	(lb)
EABA95-240-QRX	3,46	7,63

i Le poids indiqué n'inclut pas le bloc-batterie.

Conditions de stockage et d'utilisation

Température de stockage	-20 à +70 °C (-4 à +158 F)
Température de fonctionnement	0 à 45 °C (32 à 122 °F)
Humidité de stockage	0-95 % RH (sans condensation)
Humidité de fonctionnement	0-90 % RH (sans condensation)
Altitude maximale	2 000 m (6 562 pieds)
Utilisable dans un environnement de pollution de degré 2	
Utilisation en intérieur uniquement	

Caractéristiques techniques de la communication sans fil

RFID 13,56 MHz

Fréquence	13,553 MHz - 13,567 MHz
H-Field (champ magnétique)	< 42 dB μ A/m à 10 m conformément à ETSI EN 300 330 v2.1.1

Déclarations

Responsabilité

De nombreux événements dans l'environnement d'exploitation peuvent affecter le processus de serrage et nécessiteront une validation des résultats. Conformément aux normes et règlements applicables, nous vous invitons par la présente à contrôler le couple installé et le sens de rotation après tout événement susceptible d'avoir une incidence sur le résultat du serrage. Voici des exemples non exhaustifs de ces événements :

- installation initiale du système d'outillage
- modification de lot de pièces, boulon, lot de vis, outil, logiciel, configuration ou environnement
- modification des branchements pneumatiques ou électriques
- changement dans l'ergonomie de la ligne, le processus, les procédures de qualité ou les pratiques
- changement d'opérateur
- tout autre changement ayant une incidence sur le résultat du processus de serrage

Le contrôle devra :

- Garantir que les conditions d'assemblage n'ont pas changé en raison d'événements susceptibles d'avoir une incidence sur le processus.
- Être effectué après l'installation initiale, la maintenance ou la réparation du matériel.
- Intervenir au moins une fois par prise de poste ou à toute autre fréquence adéquate.

DÉCLARATION DE CONFORMITÉ UE

Nous, **Ets Georges Renault**, 38 rue Bobby Sands, 44818 Saint Herblain, France, déclarons sous notre seule et entière responsabilité que le produit (dont le nom, le type et le numéro de série figurent en première page) est en conformité avec la ou les directives suivantes :

2006/42/CE, 2011/65/UE, 2014/53/UE

Normes harmonisées appliquées :

EN 62841-2-2 :2015+AC1 :2015 EN 61000-6-2 :2005 EN 61000-6-3 :2007+A1 :2011 EN 61326-2-3 :2006 EN 301 489-3 V2.1.1 EN 62311 :200


Les autorités peuvent obtenir les informations techniques pertinentes en s'adressant à :

Pascal ROUSSY, R&D Manager, 38 rue Bobby Sands, 44818 Saint Herblain, France

Saint-Herblain, le 13/09/2021

Pascal ROUSSY, R&D Manager

Signature du déclarant



Déclaration relative au bruit et aux vibrations

- Niveau sonore < 70 dB(A) , incertitude 3 dB(A), conformément à EN 62841-2-2 : 2014.
- Valeur de la vibration totale < 2.5 m/s², incertitude 3 m/s², conformément à EN 62841-2-2 : 2014.

Les valeurs déclarées ont été obtenues par le biais d'essais de type effectués en laboratoire, conformément aux normes mentionnées, et peuvent être comparées avec les valeurs déclarées des autres outils testés dans le cadre de ces mêmes normes. Le niveau d'émission de vibrations peut être utilisé pour une évaluation préliminaire de l'exposition. Ces valeurs déclarées ne peuvent pas être utilisées pour l'évaluation des risques et les valeurs mesurées sur des lieux de travail individuel peuvent être supérieures. Les valeurs réelles d'exposition et le risque de préjudice subi par un utilisateur individuel sont uniques et dépendent de la façon dont cet utilisateur travaille, de la pièce sur laquelle il travaille et de la conception du poste de travail, ainsi que du temps d'exposition et de l'état de santé physique de l'utilisateur.

Notre société, **Ets Georges Renault**, ne peut en aucun cas être tenue responsable des conséquences de l'utilisation des valeurs déclarées à la place des valeurs reflétant l'exposition réelle dans l'évaluation des risques individuels dans un lieu de travail sur lequel nous n'avons aucun contrôle.

Safety Information

Cet outil peut provoquer un syndrome des vibrations s'il n'est pas utilisé correctement. Un guide européen de gestion des vibrations main-bras est disponible sur le site <http://www.pneurop.eu/index.php> en sélectionnant « Tools » puis « Legislation ».

Nous recommandons la mise en place d'un programme de surveillance médicale afin de détecter les premiers symptômes qui pourraient être dus à une exposition aux vibrations ; les procédures de gestion pourraient alors être modifiées pour éviter une future déficience.

- ❗ Si ce matériel est destiné aux applications embarquées : Le niveau sonore est donné à titre indicatif à l'intention du constructeur de machines. Les données de niveau sonore et de vibrations pour la machine complète devront figurer dans le manuel d'utilisation de cette dernière.

DEEE

Information sur les déchets d'équipements électriques et électroniques (DEEE) :

Ce produit et les informations le concernant sont conformes à la directive/règlement DEEE (2012/19/EU). Ils doivent donc être traités conformément à la directive/règlement.

Le produit porte le symbole suivant :



Les produits marqués d'un symbole de poubelle barrée et d'une seule barre noire en dessous, contiennent des pièces qui doivent être manipulées conformément à la directive/règlement DEEE. Le produit entier ou les composants DEEE peuvent être envoyés à notre « Centre clientèle » pour traitement.

Informations concernant l'article 33 de REACH

Le règlement européen (UE) n° 1907/2006 sur l'enregistrement, l'évaluation et l'autorisation des substances chimiques, ainsi que les restrictions applicables à ces substances (REACH) définit entre autres les exigences relatives à la communication dans la chaîne d'approvisionnement. L'obligation d'information s'applique également aux produits contenant des substances dites extrêmement préoccupantes (la « Liste des substances candidates »). Le 27 juin 2018, le plomb (n° CAS 7439-92-1) a été ajouté à la Liste des substances candidates.

Conformément à ce qui précède, ceci est pour vous informer que certains composants électriques et mécaniques du produit peuvent contenir du plomb. Ceci est conforme à la législation en vigueur en matière de restriction des substances et se fonde sur les exemptions légales prévues par la directive RoHS (2011/65/UE). Le plomb ne fuira pas ou ne mutera pas du produit lors d'une utilisation normale et la concentration de plomb dans le produit complet est bien en dessous du

seuil limite applicable. Veuillez tenir compte des exigences locales concernant l'élimination du plomb en fin de vie du produit.

Spécificités régionales

⚠ AVERTISSEMENT

Ce produit peut vous exposer à des produits chimiques comme le plomb qui est reconnu par l'État de Californie comme cancérigène et causant des malformations congénitales ou autres anomalies de la reproduction. Pour de plus amples informations

<https://www.p65warnings.ca.gov/>

Conformité IC Classe B

CAN ICES-3(B)/NMB-3(B)

(English) This device complies with Innovation, Science and Economic Development Canada's licence-exempt RSSs. Operation is subject to the following two conditions:

- 1) This device may not cause interference; and
- 2) This device must accept any interference, including interference that may cause undesired operation of the device.

(French) Le présent appareil est conforme aux CNR d'Innovation, Sciences et Développement économique Canada applicables aux appareils radio exempts de licence. L'exploitation est autorisée aux deux conditions suivantes:

- 1) l'appareil ne doit pas produire de brouillage;
- 2) l'appareil doit accepter tout brouillage radioélectrique subi, même si le brouillage est susceptible d'en compromettre le fonctionnement.

IC SAR (DAS) non requis

Cet équipement portable avec son antenne est conforme aux limites d'exposition aux radiations fixées par la RSS102 pour un environnement non contrôlé. Pour maintenir la conformité, suivez les instructions ci-dessous :

- Cet émetteur ne doit pas être co-localisé ou fonctionner en conjonction avec une autre antenne ou un autre émetteur.
- Évitez tout contact direct avec l'antenne, ou réduisez au minimum les contacts lors de l'utilisation de cet équipement.

Conformité aux normes nord-américaines



Intertek

5000701

Listé

Conforme aux normes UL 62841-1 et UL 62841-2-2.

Certifié selon les normes CSA C22.2 n° 62841-1 et CSA C22.2 n° 62841-2-2.

Sécurité

NE PAS JETER - REMETTRE À L'UTILISATEUR

⚠ AVERTISSEMENT Toutes les réglementations locales de sécurité en matière d'installation, d'utilisation et de réparation doivent toujours être respectées.

Utilisation prévue

- Pour utilisation professionnelle uniquement.
- Ce produit et ses accessoires ne doivent être modifiés en aucune manière.
- Ne pas utiliser ce produit s'il a subi des dégâts.
- Si les vignettes apposées sur le produit pour indiquer les données du produit ou des mises en garde ne sont plus lisibles ou se décollent, les remplacer sans attendre.
- Le produit ne doit être installé que par un personnel qualifié, dans un environnement industriel.

Utilisation prévue

Ce produit est conçu pour poser et déposer des fixations filetés dans le bois, le métal ou le plastique. Aucune autre utilisation n'est autorisée. Pour utilisation professionnelle uniquement.

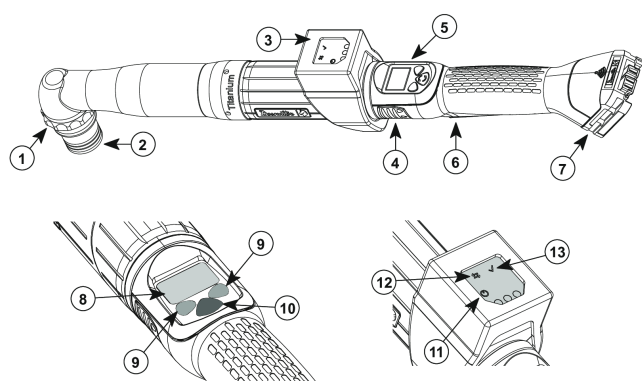
Utiliser uniquement les blocs-batteries Desoutter suivants.

- Bloc-batterie 18 V 2,5 Ah, référence de la pièce 6158132660
- Bloc-batterie 36 V 2,5 Ah, référence de la pièce 6158132670

Les blocs-batteries doivent être chargés **uniquement** avec le chargeur de blocs-batteries Desoutter (6158132700). Pour des instructions complètes, se référer aux Consignes de sécurité du chargeur de blocs-batteries (6159925310) et aux Instructions du produit disponibles dans plusieurs langues sur <https://www.desouttertools.com/resource-centre>

Instructions spécifiques au produit

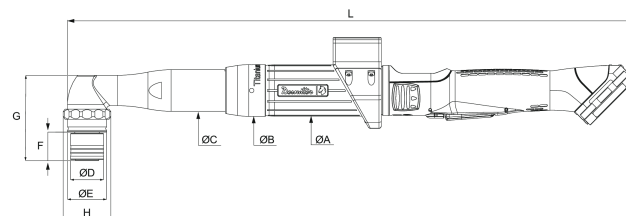
Description du produit



- 1 Adaptateur de montage pour Crowfoot
- 2 À débloquer rapide
- 3 Lecteur QR
- 4 Témoin LED
- 5 Affichage et boutons
- 6 Gâchette
- 7 Empreinte de la batterie

- 8 Affichage
- 9 Boutons programmables
- 10 Bouton de sens inverse
- 11 Voyant de mise sous tension de l'accessoire.
- 12 Lecture/enregistrement en cours
- 13 Le Pset affecté est prêt.

Dimensions (mm)



Modèle	L	ØA	ØB
EABA26-560-QRX	496	46	46
EABA32-410-QRX	496	46	46
EABA45-330-QRX	506	46	46
EABA50-450-QRX	546	46	46
EABA60-370-QRX	559	46	58
EABA75-300-QRX	582	46	58
EABA95-240-QRX	582	46	58

Modèle	ØC	D	E
EABA26-560-QRX	37	25	28
EABA32-410-QRX	37	25	28
EABA45-330-QRX	37	30	35
EABA50-450-QRX	37	30	35
EABA60-370-QRX	41	33	40
EABA75-300-QRX	49	34	43
EABA95-240-QRX	49	34	43

Modèle	F	G	H
EABA26-560-QRX	22	68	35
EABA32-410-QRX	22	68	35
EABA45-330-QRX	25	76	44
EABA50-450-QRX	25	76	44
EABA60-370-QRX	27	85	49
EABA75-300-QRX	28	88	52
EABA95-240-QRX	28	88	52

Sécurité générale de l'installation

Ne confier l'installation qu'à un personnel qualifié.

Suspendre solidement l'outil, comme par exemple en utilisant un équilibre. Lorsqu'un anneau de suspension est utilisé, vérifiez son état et assurez-vous qu'il est correctement fixé.

Pour les outils filaires : Toujours raccorder le système à une prise reliée à la terre. Toujours s'assurer que la fiche secteur est débranchée et que le contrôleur est éteint avant de brancher ou de débrancher le câble d'outil.

Sécurité générale de l'utilisation

- **En raison du risque de happement, ne pas porter de gants.**
- **Faites attention à la force de réaction engendrée lors du démarrage de l'outil.** Toujours soutenir fermement la poignée de l'outil dans le sens contraire à la rotation de la broche afin de réduire l'effet des réactions soudaines au serrage final et au dévissage initial.
- **Ne jamais tenir la broche d'entraînement, la douille ou la rallonge.**
- **Les utilisateurs et le personnel d'entretien doivent être physiquement capable de manier l'outil qui peut être encombrant, lourd et puissant.**
- **Si possible, utiliser un bras de suspension pour absorber le couple de réaction.** Si cela n'est pas possible, il est recommandé d'équiper les outils droits et à poignée revolver de poignées latérales ; pour les boulonneuses à renvoi d'angle, il est conseillé d'utiliser des tocs de réaction. Dans tous les cas, il est recommandé d'utiliser un dispositif pour absorber le couple de réaction au-dessus de 4 Nm pour les outils droits, au-dessus de 10 Nm pour les outils de type pistolet, et au-dessus de 60 Nm pour les boulonneuses d'angle.
- **Des blessures graves peuvent survenir à cause de fixations recevant un couple trop élevé ou trop faible.** Si les assemblages sont à serrer à un couple spécifique, vérifier le serrage avec un couplemètre. Les clés dynamométriques « à dé clic » ne signalent pas les couples trop élevés ni les situations dangereuses. Les fixations recevant un couple trop élevé ou trop faible peuvent casser, se desserrer ou se séparer. Les assemblages peuvent constituer des projectiles lorsqu'ils ne sont plus fixés.
- **Utiliser uniquement des douilles pour boulonneuses ou clés à chocs en bon état.** Ne pas utiliser de douilles pour clés manuelles.
- **Lorsqu'il utilise un outil énergisé, l'opérateur peut ressentir un inconfort au niveau des mains, des bras, des épaules, du cou ou d'autres parties du corps.** Varier entre les postures appropriées tout au long de la journée de travail, maintenir un bon équilibre et éviter les postures inconfortables ou avec un mauvais équilibre.
- **Des gestes répétitifs, de mauvaises positions et une exposition aux vibrations peuvent avoir des effets nuisibles sur les membres supérieurs.** Si des sensations d'engourdissement, de fourmillement, des douleurs ou une décoloration de la peau apparaissent, cesser immédiatement d'utiliser l'outil et consulter un médecin.
- **Faites attention à l'utilisation dans des espaces confinés.** Attention au risque d'écrasement des mains entre l'outil et la pièce.
- **Des niveaux sonores élevés peuvent provoquer une perte d'acuité auditive irréversible.** Utiliser les protections auditives recommandées par l'employeur ou par la réglementation en matière d'hygiène et de sécurité au travail.
- **S'assurer que la pièce à travailler est solidement fixée.**

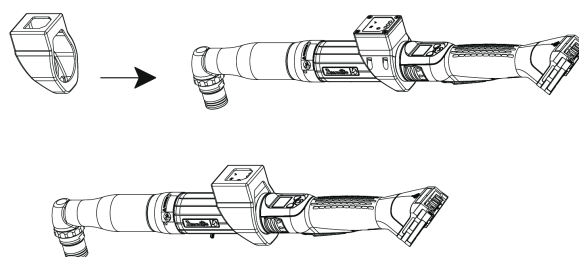
- **Procéder avec précautions dans un environnement non familier.** Soyez toujours conscient des dangers potentiels créés par votre activité. Cet outil n'est pas isolé en cas de contact avec une source d'alimentation électrique.

Outils utilisés avec un toc de réaction : Ne posez jamais la main sur le toc de réaction ou à proximité de celui-ci pendant l'utilisation de l'outil. Vérifier le sens de rotation de la broche avant de mettre l'outil en marche ; la force de réaction peut en effet entraîner l'outil dans une direction inattendue et provoquer des blessures par écrasement.

Pour les outils comprenant un embrayage : Immédiatement après un réglage de l'embrayage, vérifier le bon fonctionnement de l'outil.

Comment monter le manchon sur le lecteur

- ❗ Il est fortement recommandé de monter le manchon fourni dans l'emballage pour protéger le lecteur contre les chocs et les dégâts.



Faire glisser le manchon sur l'outil.
Pousser fermement dessus jusqu'à recouvrir le lecteur.

Insertion du bloc-batterie



Insérer le bloc-batterie à l'avant ou à l'arrière de l'outil jusqu'à ce qu'un bruit de blocage soit clairement entendu.

Il n'y a pas d'interrupteur MARCHE/ARRÊT : l'outil est prêt à fonctionner dès qu'un bloc-batterie est en place.

Lorsque l'outil est mis sous tension, les LED de l'outil clignotent.

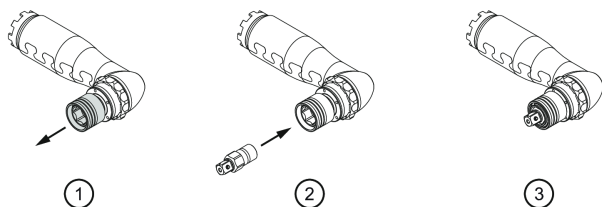
AVIS Recommandations d'utilisation pour les blocs-batterie
Assurez une plus longue durée de vie de la batterie.

- Débranchez le bloc-batterie lorsque l'outil n'est pas en service.

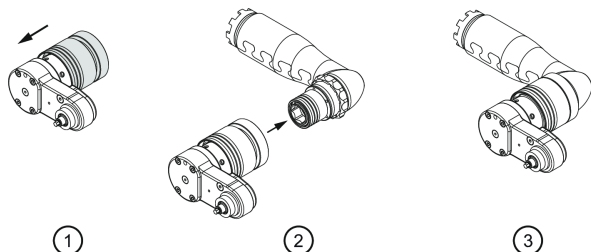
Ne laissez pas le bloc-batterie sur le chargeur lorsque ce dernier est hors tension.

Comment brancher des accessoires

Douille



Crowfoot



Brancher un accessoire dans la sortie à déblocage rapide comme indiqué et lui affecter un Pset.

Démarrage de l'outil

Utiliser une douille appropriée avec l'outil.

Sélectionner le Pset approprié.

Tenir l'outil à l'aide de la poignée et appliquer sur la fixation à serrer.

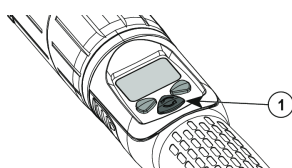
⚠ AVERTISSEMENT Risques de blessure

Au fur et à mesure que la force de réaction augmente proportionnellement au couple de serrage, il existe un risque de blessure causé par un comportement inattendu de l'outil.

- S'assurer que l'outil est en parfait état de fonctionnement et que le système est programmé correctement.

Appuyer sur cette icône pour démarrer l'outil.

Comment inverser la rotation



1 Bouton de marche arrière

Appuyer sur ce bouton.

Les LED rouge et verte clignotent alternativement.

Appliquer l'outil sur la fixation et appuyer sur la gâchette.

Sécurité générale de l'entretien et de la maintenance

Toujours garder le coffret éteint pendant l'entretien afin d'éviter toute mise en route intempestive.

Ne confier l'entretien qu'à un personnel qualifié.

Instructions de nettoyage

Nettoyer les pièces avec un chiffon humide. N'utiliser que de l'eau. N'utiliser aucun nettoyant contenant des solvants.

Contactez votre technicien d'entretien Desoutter pour des conseils de nettoyage selon les recommandations actuelles et pour votre outil particulier.

Mises en garde générales de sécurité concernant les outils électriques

⚠ AVERTISSEMENT L'ensemble des mises en garde de sécurité, consignes, illustrations et caractéristiques fournies avec cet outil électrique.

Le non-respect de toutes les instructions ci-dessous peut entraîner une électrocution, un incendie et/ou des blessures graves.

Conserver toutes les mises en garde et les instructions pour référence future.

Le terme « outil électrique » dans les mises en garde se réfère à votre outil électrique branché sur secteur (filaire) ou outil électrique fonctionnant avec une batterie (sans fil).

Sécurité de l'aire de travail

- **Maintenir l'aire de travail propre et bien éclairée.** Des aires de travail encombrées ou sombres entraînent des accidents.
- **Ne pas utiliser des outils électriques dans des atmosphères explosives, comme par exemple en présence de liquides inflammables, de gaz ou de poussière.** Les outils électriques génèrent des étincelles qui peuvent enflammer des poussières ou des émanations.
- **Tenir les enfants et les passants à l'écart pendant l'utilisation d'un outil électrique.** Les distractions peuvent vous faire perdre le contrôle.

Sécurité électrique

- **Les prises des outils électriques doivent correspondre à l'alimentation. Ne jamais modifier une prise en aucune manière. Ne pas utiliser d'adaptateurs avec les outils électriques reliés à la terre.** Les prises non modifiées et les alimentations adaptées réduiront le risque d'électrocution.
- **Éviter le contact du corps avec les surfaces reliées à la terre, comme les tuyaux, les radiateurs, les cuisinières et les réfrigérateurs.** Il y a un risque accru de choc électrique si votre corps est relié à la terre.
- **Ne pas exposer les outils électriques à la pluie ou à des conditions humides.** L'eau qui pénètre dans un outil électrique augmente le risque d'électrocution.
- **Ne pas maltraiter le cordon. Ne jamais utiliser le cordon pour transporter, tirer ou débrancher l'outil électrique. Maintenir le cordon hors de portée de la chaleur, de l'huile, des bords coupants et des pièces mobiles.** Les cordons endommagés ou emmêlés augmentent le risque d'électrocution.
- **Lorsque vous utilisez un outil électrique à l'extérieur, utilisez une rallonge électrique adaptée à un usage extérieur.** Utiliser un cordon adapté à un usage extérieur réduit le risque d'électrocution.

- **Si l'utilisation d'un outil électrique dans un endroit humide est inévitable, utiliser une alimentation protégée par un dispositif de courant résiduel (RCD).** L'utilisation d'un RCD réduit le risque d'électrocution.

Sécurité personnelle

- **Soyez vigilant, surveillez ce que vous faites et faites preuve de bon sens lorsque vous utilisez un outil électrique. N'utilisez pas d'outil électrique lorsque vous êtes fatigué ou sous l'influence de drogues, d'alcool ou de médicaments.** Un moment d'inattention pendant l'utilisation d'outils électriques peut entraîner des blessures graves.
- **Portez des équipements de protection individuelle. Portez toujours des lunettes de protection.** Les équipements de protection tels que les masques anti-poussière, les chaussures de sécurité antidérapantes, les casques de protection ou les protections auditives utilisés dans des conditions appropriées réduiront les risques de blessures corporelles.
- **Empêcher tout démarrage involontaire. S'assurer que le commutateur est en position d'arrêt avant de brancher la source d'alimentation et/ou le bloc-batterie, de ramasser ou de transporter l'outil.** Transporter des outils électriques avec le doigt sur l'interrupteur ou mettre sous tension les outils électriques qui ont l'interrupteur en marche risque d'entraîner des accidents.
- **Retirez toute clavette de réglage ou clé avant d'allumer l'outil électrique.** Une clé ou une clavette restée attachée à une pièce rotative de l'outil électrique peut entraîner des blessures corporelles.
- **N'essayez pas d'atteindre des éléments trop éloignés. Gardez toujours une bonne assise et un bon équilibre.** Ceci permet un meilleur contrôle de l'outil électrique dans des situations inattendues.
- **Habillez-vous de façon adéquate. Ne jamais porter de vêtements amples ou de bijoux. Garder les cheveux et les vêtements loin des pièces mobiles.** Des vêtements larges, des bijoux ou de longs cheveux peuvent être happés par les pièces en mouvement.
- **Si des dispositifs sont prévus pour le raccordement à des installations d'extraction et d'aspiration des poussières, s'assurer qu'ils sont raccordés et utilisés correctement.** L'utilisation d'aspirateurs à poussières peut réduire les risques liés aux poussières.
- **Ne laissez pas la connaissance acquise grâce à l'utilisation fréquente d'outils vous permettre d'être complaisant et d'ignorer les principes de sécurité des outils.** Une action négligente peut causer des blessures graves en une fraction de seconde.
- **Tenir l'outil électrique par ses surfaces de préhension isolées ; en cours d'utilisation, le fastener peut en effet toucher un câblage caché ou son propre cordon.** En cas de contact du fastener avec un fil « sous tension », les parties métalliques exposées de l'outil électrique seraient électrisées, exposant l'opérateur à un risque de choc électrique.

Utilisation et entretien d'un outil électrique

- **Ne pas forcer sur l'outil électrique. Utiliser l'outil électrique adapté au travail à effectuer.** L'outil électrique approprié fera mieux le travail et sera plus sûr à la vitesse pour laquelle il a été conçu.
- **Ne pas utiliser l'outil électrique si le commutateur ne permet pas de le mettre sous tension et hors tension.** Tout outil électrique qui ne peut pas être commandé par le commutateur est dangereux et doit être réparé.
- **Débrancher la fiche de la source d'alimentation ou retirer le bloc-batterie, si possible, de l'outil électrique avant de procéder à des réglages, de changer d'accessoire ou de ranger l'outil.** De telles mesures de sécurité préventives réduisent le risque de démarrage accidentel de l'outil électrique.
- **Ranger les outils électriques non utilisés hors de portée des enfants et ne pas laisser des personnes utiliser un outil électrique si elles ne sont pas familiarisées avec celui-ci ou avec les présentes instructions.** Les outils électriques sont dangereux entre les mains d'utilisateurs non formés.
- **Entretenir les outils électriques et les accessoires. Vérifier le désalignement ou le blocage des pièces mobiles, la casse des pièces et toute autre problème pouvant affecter le fonctionnement de l'outil électrique. Si l'outil électrique est endommagé, le faire réparer avant de l'utiliser.** De nombreux accidents sont causés par des outils électriques mal entretenus.
- **Garder les outils de coupe affûtés et propres.** Les outils de coupe bien entretenus avec des bords coupants tranchants sont moins susceptibles de se coincer et sont plus faciles à contrôler.
- **Utiliser l'outil électrique, les accessoires et embouts, etc., conformément aux présentes instructions, en prenant en compte les conditions de travail et le travail à effectuer.** L'utilisation de l'outil motorisé pour des utilisations différentes de celles prévues peut entraîner une situation dangereuse.
- **Garder les poignées et les surfaces de préhension sèches, propres et exemptes de toute trace d'huile ou de graisse.** Les poignées et les surfaces de préhension glissantes ne permettent pas une manipulation et un contrôle sûrs de l'outil dans des situations inattendues.

Utilisation et entretien d'un outil avec batterie

- **Recharger uniquement avec le chargeur spécifié par le fabricant.** Un chargeur adapté à un type de bloc-batterie peut créer un risque d'incendie lorsqu'il est utilisé avec un autre bloc-batterie.
- **Utiliser les outils électriques uniquement avec les blocs-batteries spécifiquement prévus à cet effet.** L'utilisation de tout autre bloc-batterie peut créer un risque d'accidents corporels et d'incendie.
- **Lorsque le bloc-batterie n'est pas utilisé, éloignez-le des autres objets métalliques, tels que trombones, pièces de monnaie, clés, clous, vis ou autres petits objets métalliques qui peuvent relier une borne à l'autre.** Court-circuiter les bornes de la batterie peut causer des brûlures ou un incendie.

- Dans des conditions extrêmes, du liquide peut être éjecté de la batterie ; éviter tout contact. Si un contact se produit par accident, rincer abondamment à l'eau. Si du liquide entre en contact avec les yeux, consulter un médecin. Le liquide rejeté par la batterie peut causer des irritations ou des brûlures.
- Ne pas utiliser un bloc-batterie ou un outil qui est endommagé ou modifié. Les batteries endommagées ou modifiées peuvent présenter un comportement imprévisible et provoquer un incendie, une explosion ou un risque de blessure.
- Ne pas exposer un bloc-batterie ou un outil au feu ou à une température excessive. Une exposition au feu ou à des températures dépassant les 130 °C peut provoquer une explosion.
- Suivre toutes les instructions de charge et ne pas charger le bloc-batterie ou l'outil en dehors des plages de température spécifiées dans les instructions. Une charge incorrecte ou à des températures en dehors de la plage spécifiée peut endommager la batterie et augmenter le risque d'incendie.

Entretien

- Faites réparer votre outil électrique par un réparateur qualifié en n'utilisant que des pièces de rechange identiques. Ceci assurera le maintien de la sécurité de l'outil électrique.
- Ne jamais effectuer d'entretien sur des blocs-batteries endommagés. L'entretien des blocs-batteries doit être effectué uniquement par le fabricant ou des prestataires agréés pour l'entretien.

Panneaux et autocollants

Des vignettes et autocollants contenant des informations importantes pour la sécurité des personnes et l'entretien du matériel sont apposés sur le produit. Les vignettes et autocollants doivent toujours être faciles à lire. On pourra commander de nouvelles vignettes et de nouveaux autocollants à l'aide de la nomenclature des pièces de rechange.



s011050

Informations utiles

Site web

Des informations à propos de nos Produits, Accessoires, Pièces de rechange et Documentation sont disponibles sur le site Web de Desoutter.

Veuillez consulter : www.desouttertools.com.

Informations sur les manuels d'installation

Des informations détaillées sur la notice d'utilisation, d'installation et sur la mise à jour sont disponibles sur <https://www.desouttertools.com/resource-centre>.

Informations sur les pièces de rechange

Les vues éclatées et les nomenclatures de pièces détachées sont disponibles en Service Link sur www.desouttertools.com.

Pays d'origine

France

Fiches de données de sécurité FDS

Les Fiches de données de sécurité décrivent les produits chimiques vendus par Desoutter.

Veuillez consulter le site Web Desoutter pour plus d'informations <https://www.desouttertools.com/legal/sds>.

Copyright

© Copyright 2022, Ets Georges Renault, 38 rue Bobby Sands, 44818 Saint Herblain, France

Tous droits réservés. Toute utilisation non autorisée ou copie de tout ou partie du présent document est interdite. Ceci s'applique plus particulièrement aux marques de commerce, dénominations de modèles, références et schémas. Utiliser exclusivement les pièces autorisées. Tout dommage ou dysfonctionnement causé par l'utilisation d'une pièce non autorisée ne sera pas couvert par la garantie du fabricant ou la responsabilité du fait des produits.

Technische Daten

Technische Daten

Spannungsbereich (V)

36 V

Anschluss Ausgang

Modell	Typ
EABA26-560-QRX	Schnellwechsel-Abtrieb
EABA32-410-QRX	Schnellwechsel-Abtrieb
EABA45-330-QRX	Schnellwechsel-Abtrieb
EABA50-450-QRX	Schnellwechsel-Abtrieb
EABA60-370-QRX	Schnellwechsel-Abtrieb
EABA75-300-QRX	Schnellwechsel-Abtrieb
EABA95-240-QRX	Schnellwechsel-Abtrieb

Drehmomentbereich (Nm)

Modell	Min. / Nominal / Max.
EABA26-560-QRX	5/24/26
EABA32-410-QRX	7/30/32
EABA45-330-QRX	9/40/45
EABA50-450-QRX	9/45/50
EABA60-370-QRX	10/55/60

Safety Information

Modell	Min. / Nominal / Max.
EABA75-300-QRX	12/70/75
EABA95-240-QRX	19/90/95

Drehmomentbereich (ft.lb)

Modell	Min. / Nominal / Max.
EABA26-560-QRX	1,12/5,40/5,85
EABA32-410-QRX	1,57/6,74/7,19
EABA45-330-QRX	2,02/8,99/10,12
EABA50-450-QRX	2,02/10,12/11,24
EABA60-370-QRX	2,25/12,36/13,49
EABA75-300-QRX	2,70/15,74/16,86
EABA95-240-QRX	4,27/20,23/21,36

Nenn Drehzahl (U/min)

Modell	
EABA26-560-QRX	560
EABA32-410-QRX	410
EABA45-330-QRX	330
EABA50-450-QRX	450
EABA60-370-QRX	370
EABA75-300-QRX	300
EABA95-240-QRX	240

Gewicht

Modell	(kg)	(lb)
EABA26-560-QRX	2,04	4,50
EABA32-410-QRX	2,04	4,50
EABA45-330-QRX	2,21	4,87
EABA50-450-QRX	2,49	5,49
EABA60-370-QRX	2,82	6,22
EABA75-300-QRX	3,42	7,54
EABA95-240-QRX	3,46	7,63

 Das angegebene Gewicht gilt ohne Akkusatz.

Lagerungs- und Einsatzbedingungen

Lagertemperatur	-20 bis +70 °C (-4 bis +158 F)
Betriebstemperatur	0 °C bis 45 °C (32 °F bis 113 °F)
Luftfeuchtigkeit bei Lagerung	0 - 95% rel. LF (nicht kondensierend)
Luftfeuchtigkeit bei Betrieb	0 - 90% rel. LF (nicht kondensierend)
Höhe bis	2000 m (6562 Fuß)
Einsetzbar in Umgebungen mit Verschmutzungsgrad 2 Nur für Innenanwendungen	

Spezifikationen der Drahtloskommunikation

RFID 13,56 MHz

Häufigkeit	13,553 MHz - 13,567 MHz
H-Feld	< 42 dBµA/m bei 10 m gemäß ETSI EN 300 330 v2.1.1

Erklärungen

Haftung

Viele Ereignisse in der Arbeitsumgebung können sich auf die Verschraubung auswirken und bedürfen einer Validierung der Ergebnisse. In Übereinstimmung mit den geltenden Standards und/oder Vorschriften sind das installierte Drehmoment und die Drehrichtung nach einem Ereignis zu überprüfen, das sich auf die Verschraubung auswirken kann. Zu solchen Ereignissen zählen unter anderem:

- Erstinstallation des Werkzeugsystems
- Änderung von Chargen, Bolzen, Schrauben, Werkzeugen, Software, Konfiguration oder Umgebung
- Änderung von Druckluft- oder Elektroanschlüssen
- Änderung von Linienergonomie, Prozessen, Qualitätsverfahren und -praktiken
- Bedienerwechsel
- Andere Änderungen, die sich auf das Ergebnis der Verschraubung auswirken

Die Prüfung muss:

- Sicherstellen, dass die gemeinsamen Bedingungen sich nicht aufgrund von Ereignissen geändert haben.
- Nach der Erstinstallation, Wartung oder Reparatur der Anlage erfolgen.
- Mindestens einmal pro Schicht oder in einem anderen geeigneten Intervall erfolgen.

EU-KONFORMITÄTSERKLÄRUNG

Wir, **Ets Georges Renault**, 38 rue Bobby Sands, 44818 Saint Herblain, France, erklären hiermit in alleiniger Verantwortung, dass dieses Produkt (mit Bezeichnung, Typ und Seriennummer laut Deckblatt) die Anforderungen der folgenden Richtlinie(n) erfüllt:

2006/42/EG, 2011/65/EU, 2014/53/EU

Angewandte harmonisierte Normen:

EN 62841-2-2 :2015+AC1 :2015 EN 61000-6-2 :2005 EN 61000-6-3 :2007+A1 :2011 EN 61326-2-3 :2006 EN 301489-3 V2.1.1 EN 62311 :200

Behörden können relevante technische Informationen anfordern von:

Pascal ROUSSY, R&D Manager, 38 rue Bobby Sands, 44818 Saint Herblain, France

Saint-Herblain, 13.09.2021

Pascal ROUSSY, R&D Manager

Unterschrift des Ausstellers



Statement zur Geräusch & Vibrations-Deklaration

- Schalldruckpegel < 70 dB(A) , Unsicherheit 3 dB(A), gemäß EN 62841-2-2 : 2014.
- Schwingungsgesamtwert < 2.5 m/s², Unsicherheit 3 m/s², gemäß EN 62841-2-2 : 2014.

Die deklarierten Werte wurden durch Labortests gemäß den genannten Normen ermittelt und eignen sich zum Vergleich mit den deklarierten Werten anderer Werkzeuge, die denselben Normen entsprechend geprüft wurden. Der Vibrationsemissionspegel kann für eine vorläufige Expositionsabschätzung verwendet werden. Die deklarierten Werte sind nicht für Risikobewertungen angemessen, und die an einzelnen Arbeitsplätzen gemessenen Werte sind unter Umständen höher. Die tatsächlichen Expositionswerte und Schädigungsrisiken für einzelne Benutzer sind von Fall zu Fall unterschiedlich und hängen von der jeweiligen Arbeitsweise des Benutzers, vom Werkstück und von der Beschaffung des Arbeitsplatzes sowie von der Expositionsdauer und der körperlichen Verfassung des Benutzers ab.

Wir, **Ets Georges Renault**, können nicht für Folgen, die sich aus der Verwendung der von uns angegebenen Werte statt der realen Belastungswerte für die Risikoeinschätzung einer Arbeitsplatzsituation ergeben, haftbar gemacht werden, da wir auf diese keinen Einfluss haben.

Dieses Werkzeug kann ein Hand-Arm-Vibrationssyndrom hervorrufen, wenn seine Verwendung nicht fachgerecht gehandhabt wird. Einen EU-Leitfaden, der sich mit Hand-Arm-Vibration befasst, finden Sie unter <http://www.pneurop.eu/index.php> und durch Auswahl von „Werkzeuge“ und „Gesetzgebung“.

Wir empfehlen ein Programm zur Gesundheitsüberwachung, durch welches frühe Symptome erkannt werden können, welche auf die Vibrationsexposition zurückgeführt werden könnten, so dass die Abläufe der Maßnahmen daraufhin so geändert werden können, dass zukünftige Beeinträchtigungen vermieden werden.

- ⓘ Wenn dieses Gerät für Einbauanwendungen vorgesehen ist:
Angaben zur Geräuschemission dienen als Richtwert für den Gerätebauer. Für das komplette Gerät geltende Geräusch- und Vibrationsemissionsdaten sollten in der zum Gerät gehörenden Bedienungsanleitung aufgeführt werden.

WEEE

Hinweise zu **Elektro- und Elektronik-Altgeräten (EEAG)**: Das vorliegende Produkt und die entsprechenden Informationen erfüllen die Anforderungen der EEAG-Richtlinie/-Verordnungen (2012/19/EU) und müssen gemäß dieser Richtlinie/diesen Verordnungen gehandhabt werden.

Das Produkt ist mit folgendem Symbol gekennzeichnet:



Mit einem durchgestrichenen Mülltonnen-Symbol mit einem einzelnen schwarzen Balken darunter gekennzeichnete Produkte enthalten Teile, die entsprechend der EEAG-Richtlinie/-Verordnungen entsorgt werden müssen. Das gesamte Produkt oder die EEAG-Teile können zur Entsorgung an Ihre Kundendienstzentrale eingeschickt werden.

Informationen zu Artikel 33 in REACH

Die Verordnung (EG) Nr. 1907/2006 des Europäischen Parlaments und des Rates zur Registrierung, Bewertung, Zulassung und Beschränkung chemischer Stoffe (REACH) definiert unter anderem Anforderungen an die Kommunikation innerhalb der Lieferkette. Die Informationspflicht gilt auch für Produkte, die sogenannte besonders besorgniserregende Stoffe enthalten (die „Kandidatenliste“). Am 27. Juni 2018 wurde Blei (CAS Nr. 7439-92-1) in die Kandidatenliste aufgenommen.

Gemäß den oben genannten Verordnungen und Hinweise informieren wir Sie hiermit darüber, dass bestimmte elektrische und mechanische Komponenten des Produkts Blei enthalten können. Dies steht im Einklang mit den geltenden Rechtsvorschriften für Stoffbeschränkungen und basiert auf legalen Ausnahmen in der RoHS-Richtlinie (2011/65/EU). Bei normalem Gebrauch treten aus dem Produkt kein Blei oder Bleiderivate aus und die Bleikonzentration liegt weit unterhalb des geltenden Grenzwerts. Beachten Sie am Ende der Produktlebensdauer die vor Ort geltenden Bestimmungen zur Entsorgung von Blei.

Regionale Anforderungen

⚠️ WARNUNG

Dieses Produkt kann Sie Chemikalien, einschließlich Blei, aussetzen, was nach Kenntnis des Bundesstaats Kalifornien zu Krebserkrankungen und Geburtsfehlern oder sonstigen Schäden am Fortpflanzungssystem führen kann. Weitere Informationen finden Sie unter <https://www.p65warnings.ca.gov/>

Sicherheit

NICHT WEGWERFEN - AN BENUTZER WEITERLEITEN

⚠️ **WARNUNG Alle örtlichen Vorschriften, die Installation, Bedienung und Wartung betreffen, müssen immer beachtet werden.**

Nutzungserklärung

- Nur zum Gebrauch durch ausgebildete Fachkräfte.
- Dieses Produkt und sein Zubehör dürfen in keinem Fall modifiziert werden.

Safety Information

- Benutzen Sie dieses Produkt nicht, wenn es beschädigt ist.
- Wenn die Produktdatenschilder oder Gefahrenwarnschilder unleserlich werden oder sich ablösen, sind diese sofort zu ersetzen.
- Das Produkt darf nur von geschulten Fachkräften und nur in Industrieumgebungen installiert, bedient und gewartet werden.

Verwendungszweck

Dieses Produkt wurde für das Anbringen und Entfernen von Verbindungselementen mit Gewinde auf Holz, Metall oder Kunststoff entwickelt. Eine andere Verwendung ist nicht zulässig. Nur für den professionellen Einsatz.

Verwenden Sie nur die folgenden Desoutter-Akkupacks.

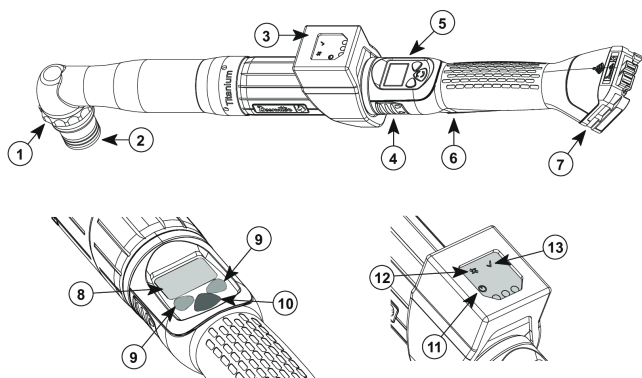
- Akkupack 18 V 2.5 Ah, Artikelnummer 6158132660
- Akkupack 36 V 2.5 Ah, Artikelnummer 6158132670

Die Akkupacks dürfen **nur** mit dem Desoutter-Akkupackladegerät (6158132700) geladen werden.

Eine vollständige Anleitung finden Sie in den Sicherheitshinweisen für das Batterieladegerät (6159925310) und in den Produktanleitungen, die in mehreren Sprachen unter <https://www.desouttertools.com/resource-centre> verfügbar sind

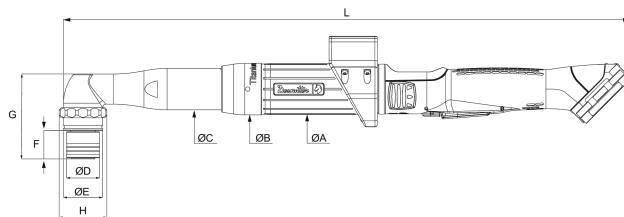
Produktspezifische Anweisungen

Produktbeschreibung



- 1 Montageadapter für Crowfoot
- 2 Ausgang mit Schnellverschluss
- 3 QR-Zubehöresegerät
- 4 LED für Berichtsfunktionen
- 5 Anzeige und Tasten
- 6 Auslöser
- 7 Akkubasis
- 8 Anzeige
- 9 Programmier Tasten
- 10 Umkehrtaste
- 11 Anzeige, ob das Zubehör eingeschaltet ist.
- 12 Lese-/Schreibvorgang läuft
- 13 Das zugewiesene Pset ist bereit.

Abmessungen (mm)



Modell	L	ØA	ØB
EABA26-560-QRX	496	46	46
EABA32-410-QRX	496	46	46
EABA45-330-QRX	506	46	46
EABA50-450-QRX	546	46	46
EABA60-370-QRX	559	46	58
EABA75-300-QRX	582	46	58
EABA95-240-QRX	582	46	58

Modell	ØC	D	E
EABA26-560-QRX	37	25	28
EABA32-410-QRX	37	25	28
EABA45-330-QRX	37	30	35
EABA50-450-QRX	37	30	35
EABA60-370-QRX	41	33	40
EABA75-300-QRX	49	34	43
EABA95-240-QRX	49	34	43

Modell	F	G	H
EABA26-560-QRX	22	68	35
EABA32-410-QRX	22	68	35
EABA45-330-QRX	25	76	44
EABA50-450-QRX	25	76	44
EABA60-370-QRX	27	85	49
EABA75-300-QRX	28	88	52
EABA95-240-QRX	28	88	52

Allgemeine Sicherheit bei der Installation

Installationsarbeiten dürfen nur von Fachpersonal ausgeführt werden.

Das Werkzeug sicher einhängen, beispielsweise mittels eines Balancers. Wenn ein Aufhängebügel verwendet wird, prüfen, ob dieser einwandfrei und richtig befestigt ist.

Für kabelgebundene Werkzeuge: Das System stets an eine geerdete Steckdose anschließen. Stellen Sie stets sicher, dass der Netzstecker gezogen wurde und die Steuerung ausgeschaltet ist, bevor Sie das Werkzeugkabel anschließen oder abziehen.

Allgemeine Betriebssicherheit

- Tragen Sie aufgrund des Verfang- und Aufwickelrisikos keine Handschuhe.

- **Sein Sie auf die Gegenhalterkraft vorbereitet, wenn das Werkzeug benutzt wird.** Den Handgriff des Werkzeugs immer sicher in der Gegenrichtung zur Spindeldrehung unterstützen, um die Auswirkung von plötzlichen Drehmomentreaktionen während der letzten Phase des Festziehens oder der Anfangsphase des LöSENS von Befestigungselementen zu vermeiden.
- **Antrieb, Steckschlüssel oder Antriebsverlängerungen niemals halten.**
- **Bedien- und Wartungspersonal muss in der körperlichen Verfassung sein, um mit Größe, Gewicht und Leistung des Werkzeugs zu Rande zu kommen.**
- **Nach Möglichkeit eine Aufhängestütze zur Aufnahme des Reaktionsmoments verwenden. Falls dies nicht möglich ist, wird für Pistolengriff- und Stabmodelle die Verwendung von Seitenhaltegriffen empfohlen. Für Winkelschrauber werden Gegenhalter empfohlen.** Es wird empfohlen, bei Stabmodellen eine Vorrichtung zur Aufnahme von Reaktionsmomenten von über 4 Nm (3 lbf.ft), bei Pistolengriffmodellen zur Aufnahme von Reaktionsmomenten von über 10 Nm (7,5 lbf.ft) und bei Winkelschraubern zur Aufnahme von Reaktionsmomenten von über 60 Nm (44 lbf.ft) zu verwenden.
- **Zu stark oder zu schwach angezogene Befestigungselemente können zu schweren Verletzungen führen.** Schraubverbindungen, für die ein bestimmtes Drehmoment vorgeschrieben ist, müssen mit einem Drehmomentmesser nachgeprüft werden. So genannte „Knickschlüssel“ erlauben keine Kontrolle eventuell gefährlicher überhöhter Anzugsmomente. Zu stark oder zu schwach angezogene Befestigungselemente können brechen, sich lösen oder abtrennen. Freigesetzte Baugruppenkomponenten können zu Projektilen werden.
- **Nur für Kraft- oder Schlagschrauber vorgesehene Steckschlüssel, die sich in gutem Zustand befinden, benutzen.** Keine Steckschlüssel für Handknarren verwenden.
- **Die Verwendung eines Elektrowerkzeugs kann nach längerer Zeit zu Unbehagen an Händen, Armen, Schultern, Nacken oder anderen Körperteilen führen.** Wechseln Sie über den Arbeitstag hinweg durch verschiedene geeignete Haltungen, behalten Sie einen sicheren Stand bei und vermeiden Sie unbequeme oder schiefe Körperhaltungen.
- **Sich wiederholende Bewegungen, schlechte Körperhaltung und die Belastung durch Schwingungen können Arme und Hände langfristig schädigen.** Sollten Sie Gefühllosigkeit, Kribbeln, Schmerzen oder weiße Flecken an Ihrer Haut bemerken, arbeiten Sie nicht mehr mit diesem Werkzeug und wenden Sie sich an einen Arzt.
- **Arbeiten Sie unter beengten Platzverhältnissen vorsichtig.** Achten Sie darauf, dass Ihre Hände nicht zwischen Werkzeug und Werkstück gequetscht werden.
- **Hohe Lärmpegel können zu permanentem Hörverlust führen.** Verwenden Sie einen Gehörschutz laut Empfehlung Ihres Arbeitgebers bzw. entsprechend den Gesundheits- und Sicherheitsbestimmungen.

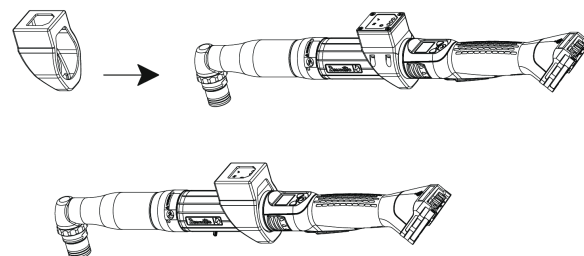
- **Stellen Sie sicher, dass das Werkstück sicher fixiert ist.**
- **Arbeiten Sie in unbekanntem Umgebungen besonders vorsichtig.** Machen Sie sich stets die potenziellen Gefahren bewusst, die von Ihrer Arbeit ausgehen. Dieses Werkzeug ist nicht gegen einen Kontakt mit Stromquellen isoliert.

Werkzeuge mit Gegenhalter: Niemals die Hand auf den Gegenhalter legen oder in seiner Nähe haben, wenn das Werkzeug benutzt wird. Vor dem Start des Werkzeugs die Spindeldrehrichtung überprüfen. Bei Einsetzen der Reaktionskraft in eine unerwartete Richtung besteht Quetschgefahr.

Für Werkzeuge mit integrierter Kupplung: Sofort nach Einstellung der Kupplung richtigen Betrieb überprüfen.

Anbringen der Abdeckung am Lesegerät

- ⓘ Es wird dringend empfohlen, die in der Verpackung enthaltene Abdeckung anzubringen, um das Lesegerät vor Stößen und Beschädigungen zu schützen.



Schieben Sie die Abdeckung auf das Werkzeug. Drücken Sie sie kräftig über das Lesegerät.

Einlegen des Akkupacks



Führen Sie den Akkusatz von vorn oder hinten in das Werkzeug ein, bis ein deutliches Verschlussgeräusch zu hören ist.

Es gibt keinen EIN/AUS-Schalter: Das Werkzeug ist betriebsbereit, sobald ein Akkusatz eingelegt wird.

Beim Einschalten des Werkzeugs blinken die Werkzeug-LEDs.

HINWEIS Gebrauchsempfehlungen für Akkupacks
Sorgen Sie für eine längere Lebensdauer des Akkupacks.

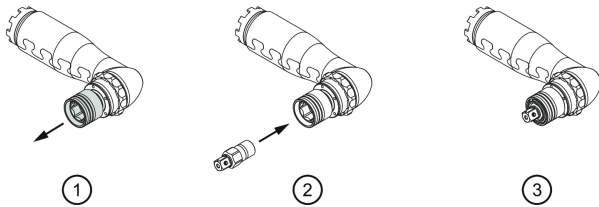
- Entfernen Sie das Akkupack bei Nichtverwendung des Werkzeugs von diesem.

Lassen Sie das Akkupack nicht im Ladegerät, wenn die Stromversorgung zum Ladegerät abgeschaltet ist.

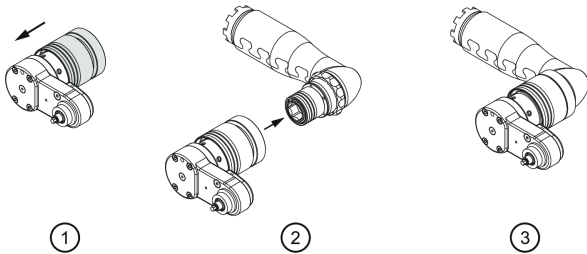
Anschluss von Zubehör

Aufsatz

Safety Information



Crowfoot



Verbinden Sie ein Zubehörteil mit dem Schnellverschluss-Ausgang und weisen Sie ihm ein Pset zu.

Starten des Werkzeugs

Bringen Sie eine passende Stecknuss am Werkzeug an.

Wählen Sie das jeweilige Pset aus.

Halten Sie das Werkzeug am Griff fest und setzen Sie es auf das zu verschraubende Verbindungselement auf.

⚠️ WARNUNG Verletzungsgefahr

Aufgrund des Anstiegs der resultierenden Kraft proportional zum Anzugsdrehmoment besteht die Gefahr schwerer Körperversetzungen des Bedieners infolge eines unerwarteten Verhaltens des Werkzeugs.

- ▶ Achten Sie darauf, dass das Werkzeug in einwandfreiem Zustand und das System korrekt programmiert ist.

Drücken Sie den Auslöser, um das Werkzeug zu starten.

Umkehren der Drehrichtung



1 Umkehrtaste für Rückwärtslauf

Drücken Sie diese Taste.

Rote und grüne LED blinken abwechselnd.

Setzen Sie das Werkzeug auf das Verbindungselement und drücken Sie den Auslöser.

Allgemeine Sicherheit während Instandhaltung und Wartung

Lassen Sie während der Durchführung von Wartungsarbeiten die Steuerung stets abgeschaltet, um ein unerwartetes Anlaufen zu verhindern.

Wartungsarbeiten dürfen nur von Fachpersonal ausgeführt werden.

Reinigungsanweisungen

Reinigen Sie die Teile mit einem feuchten Tuch. Verwenden Sie nur Wasser, es dürfen keine lösemittelhaltigen Reiniger verwendet werden.

Kontaktieren Sie Ihren Desoutter-Service-Techniker für Beratung bezüglich aktueller Empfehlungen zur Reinigung sowie zu Ihrem jeweiligen Werkzeug.

Allgemeine Sicherheitshinweise für das Arbeiten mit Elektrowerkzeugen

⚠️ **WARNUNG** Lesen Sie alle Sicherheitshinweise, Anweisungen, Abbildungen und Spezifikationen, die mit diesem Elektrowerkzeug geliefert werden, sorgfältig durch.

Die Nichtbeachtung der folgenden Anweisungen kann zu Stromschlägen, Bränden und/oder schweren Verletzungen führen.

Bewahren Sie alle Warnungen und Anweisungen auf.

Der Begriff „Elektrowerkzeug“ in den Warnhinweisen bezeichnet ein Elektrowerkzeug mit Netz- (kabelgebunden) oder Akkubetrieb (kabellos).

Sicherheit im Arbeitsbereich

- **Der Arbeitsbereich muss sauber und gut beleuchtet sein.** Unordentliche oder dunkle Bereiche führen zu Unfällen.
- **Verwenden Sie Elektrowerkzeuge nicht in explosionsgefährdeten Bereichen, z.B. in der Nähe von brennbaren Flüssigkeiten, Gasen oder Staub.** Elektrowerkzeuge erzeugen Funken, die Staub oder Dämpfe entzünden können.
- **Verwenden Sie Elektrowerkzeuge nicht in der Gegenwart von Kindern oder unbefugten Personen.** Ablenkungen können dazu führen, dass Sie die Kontrolle verlieren.

Elektrische Sicherheit

- **Die Stecker der Elektrowerkzeuge müssen in die Steckdosen passen. Stecker dürfen in keiner Weise verändert werden. Verwenden Sie keine Adapterstecker für geerdete Elektrowerkzeuge (mit Nulleiter).** Originalstecker und passende Steckdosen reduzieren die Stromschlaggefahr.
- **Vermeiden Sie Körperkontakt mit geerdeten Oberflächen wie Rohren, Heizkörpern, Herden und Kühlschränken.** Die Stromschlaggefahr steigt, wenn Ihr Körper geerdet ist.
- **Schützen Sie Elektrowerkzeuge vor Regen oder Nässe.** Das Eindringen von Wasser in ein Elektrowerkzeug erhöht die Stromschlaggefahr.
- **Behandeln Sie das Netzkabel pfleglich. Tragen oder Ziehen Sie das Elektrowerkzeug nicht am Netzkabel. Ziehen Sie beim Abstecken stets am Stecker und nie am Kabel. Halten Sie das Kabel von Hitze, Öl, scharfen Kanten oder beweglichen Teilen fern.** Beschädigte oder verwickelte Kabel erhöhen die Stromschlaggefahr.

- **Verwenden Sie bei Einsätzen eines Elektrowerkzeugs in Außenbereichen ein entsprechend geeignetes Verlängerungskabel.** Die Verwendung eines für den Außenbereich geeigneten Kabels verringert die Stromschlaggefahr.
- **Wenn sich der Betrieb eines Elektrowerkzeugs an einem feuchten Ort nicht vermeiden lässt, setzen Sie einen Fehlerstromschutzschalter (FI) in die Stromversorgung ein.** Der Einsatz eines FI-Schutzschalters verringert die Stromschlaggefahr.

Persönliche Sicherheit

- **Wenn Sie mit Elektrowerkzeugen arbeiten, bleiben Sie wachsam, arbeiten Sie bewusst und benutzen Sie Ihren gesunden Menschenverstand. Arbeiten Sie nicht mit Elektrowerkzeugen, wenn Sie müde sind oder unter dem Einfluss von Drogen, Alkohol oder Medikamenten stehen.** Ein Moment der Unachtsamkeit beim Arbeiten mit Elektrowerkzeugen kann zu schweren Verletzungen führen.
- **Benutzen Sie persönliche Schutzausrüstung. Tragen Sie stets einen Augenschutz.** Schutzausrüstung wie Staubmaske, rutschfeste Sicherheitsschuhe, Schutzhelm oder Gehörschutz verringert unter geeigneten Einsatzbedingungen die Verletzungsgefahr.
- **Verhindern Sie unbeabsichtigtes Starten. Prüfen Sie stets, ob sich der Schalter in der Position AUS befindet, bevor Sie das Werkzeug an die Stromversorgung anschließen, den Akku einsetzen, es anheben oder tragen.** Das Tragen von Elektrowerkzeugen mit dem Finger am Schalter oder das Zuschalten der Stromzufuhr an bereits eingeschalteten Elektrowerkzeugen kann zu Unfällen führen.
- **Entfernen Sie alle Einstellschlüssel oder Schraubenschlüssel, bevor Sie das Elektrowerkzeug einschalten.** Ein an rotierenden Teilen des Elektrowerkzeugs verbliebener Schraubenschlüssel oder Einstellschlüssel kann zu Verletzungen führen.
- **Halten Sie das Gleichgewicht. Behalten Sie jederzeit das Gleichgewicht und einen sicheren Stand.** So haben Sie in unvorhergesehenen Situationen eine bessere Kontrolle über das Elektrowerkzeug.
- **Tragen Sie angemessene Kleidung. Tragen Sie keine lose Kleidung oder Schmuck. Halten Sie Ihre Haare und Ihre Kleidung von beweglichen Teilen fern.** Lose Kleidung, Schmuck oder lange Haare können sich in beweglichen Teilen verfangen.
- **Sollten Geräte zum Anschluss an Staubabsaugung und Sammeleinrichtungen vorgesehen sein, achten Sie darauf, diese Geräte anzuschließen und ordnungsgemäß zu verwenden.** Die Verwendung von Staubsammeleinrichtungen kann Gefährdungen durch Staub verringern.
- **Bleiben Sie auch nach häufigem Gebrauch von Elektrowerkzeugen wachsam, lassen Sie keinen Gewohnheit einkehren und beachten Sie stets die Prinzipien der Werkzeugsicherheit.** Eine unvorsichtige Handlung kann innerhalb von Sekundenbruchteilen zu schweren Verletzungen führen.

- **Halten Sie das Elektrowerkzeug während Arbeiten, bei denen das Verbindungselement mit verdeckt liegenden Leitungen oder dem eigenen Kabel in Berührung kommen kann, an den isolierten Griffflächen.** Berührt das Verbindungselement eine unter Strom stehende Leitung, so können freiliegende metallische Teile des Elektrowerkzeugs ebenfalls unter Strom gesetzt werden und zu einem elektrischen Schock beim Bediener führen.

Gebrauch und Pflege von Elektrowerkzeugen

- **Setzen Sie das Elektrowerkzeug keiner übermäßigen Krafteinwirkung aus. Benutzen Sie das für Ihre Anwendung passende Elektrowerkzeug.** Das korrekte Elektrowerkzeug erfüllt die Aufgabe besser und sicherer und mit der Geschwindigkeit, für die es ausgelegt wurde.
- **Benutzen Sie das Elektrowerkzeug nicht, wenn es sich nicht am Schalter ein- und ausschalten lässt.** Jedes Elektrowerkzeug, das nicht mit dem Schalter gesteuert werden kann, stellt eine Gefahr dar und muss repariert werden.
- **Ziehen Sie den Stecker aus der Steckdose und/oder das Akku, falls abnehmbar, aus dem Elektrowerkzeug, bevor Sie Einstellungen vornehmen, Zubehörteile wechseln oder das Elektrowerkzeug lagern.** Diese vorbeugenden Sicherheitsmaßnahmen verringern die Gefahr eines versehentlichen Startens des Elektrowerkzeugs.
- **Lagern Sie Elektrowerkzeuge außerhalb der Reichweite von Kindern und achten Sie darauf, dass sie nicht von Personen, die mit dem Elektrowerkzeug oder diesen Anweisungen nicht vertraut sind, bedient werden können.** Elektrowerkzeuge in den Händen ungeschulter Benutzer sind eine Gefahr.
- **Warten und pflegen Sie Ihre Elektrowerkzeuge und Zubehörteile. Prüfen Sie sie auf fehlausgerichtete oder verklemmte bewegliche Teile, gebrochene Teile oder andere Zustände, die den Betrieb des Elektrowerkzeugs beeinträchtigen könnten. Wenn Beschädigungen vorliegen, muss das Elektrowerkzeug repariert werden, bevor es wieder benutzt werden kann.** Viele Unfälle werden durch schlecht gewartete Elektrowerkzeuge verursacht.
- **Halten Sie Schneidwerkzeuge scharf und sauber.** Ordnungsgemäß gewartete Schneidwerkzeuge mit scharfen Schneidkanten neigen weniger zum Verklemmen und sind leichter zu kontrollieren.
- **Verwenden Sie das Elektrowerkzeug, Zubehörteile, Werkzeugaufsätze usw. gemäß diesen Anweisungen und berücksichtigen Sie dabei die Arbeitsbedingungen und die Art der durchzuführenden Arbeiten.** Die Verwendung des Elektrowerkzeugs für andere als die vorgesehenen Arbeiten kann zu einer gefährlichen Situation führen.
- **Halten Sie Handgriffe und Griffflächen trocken, sauber und frei von Öl und Fett.** Mit rutschigen Handgriffen und Griffflächen haben Sie in unvorhergesehenen Situationen keine sichere Kontrolle über das Werkzeug.

Safety Information

Gebrauch und Pflege von Werkzeugakkus

- **Laden Sie Akkus nur mit dem vom Hersteller angegebenen Ladegerät auf.** Ein Ladegerät, das für eine Art von Akkupacks geeignet ist, kann bei Verwendung mit einem anderen Akkupack eine Brandgefahr darstellen.
- **Setzen Sie in jedes Elektrowerkzeug nur den speziell dafür vorgesehenen Akkupack ein.** Die Verwendung von anderen Akkupacks kann zu Verletzungs- und Brandgefahr führen.
- **Wenn der Akkupack nicht in Gebrauch ist, halten Sie ihn von Metallgegenständen wie Büroklammern, Münzen, Schlüsseln, Nägeln, Schrauben oder anderen kleinen Metallteilen fern, durch die eine Verbindung von einem Pol zum anderen entstehen könnte.** Ein Kurzschließen der Pole kann zu Verbrennungen oder Bränden führen.
- **Bei missbräuchlicher Verwendung kann Batterieflüssigkeit austreten, vermeiden Sie jeden Kontakt. Bei versehentlichem Kontakt mit Wasser spülen. Bei Augenkontakt ist zusätzlich ein Arzt aufzusuchen.** Austretende Batterieflüssigkeit kann zu Hautreizungen und Verbrennungen führen.
- **Verwenden Sie kein Akkupack und kein Werkzeug, das beschädigt ist oder verändert wurde.** Beschädigte oder veränderte Akkupacks können unvorhergesehen reagieren und Brände, Explosionen oder Verletzungen verursachen.
- **Setzen Sie einen Akkupack oder ein Werkzeug keinem offenen Feuer oder übermäßig hohen Temperaturen aus.** Offenes Feuer oder Temperaturen über 130 °C können zur Explosion führen.
- **Beachten Sie alle Ladeanweisungen und laden Sie den Akkupack oder das Werkzeug nur innerhalb des in der Anleitung angegebenen Temperaturbereichs auf.** Unsachgemäßes Laden oder Laden bei Temperaturen außerhalb des angegebenen Temperaturbereichs kann den Akkupack beschädigen und führt zu einer erhöhten Brandgefahr.

Service

- **Lassen Sie Ihr Elektrowerkzeug nur von qualifiziertem Fachpersonal und nur mit Original-Ersatzteilen reparieren.** Nur so bleibt die Sicherheit des Elektrowerkzeugs erhalten.
- **Warten oder reparieren Sie niemals beschädigte Akkupacks.** Die Wartung oder Reparatur von Akkupacks sollte nur durch den Hersteller oder autorisierte Dienstleister erfolgen.

Schilder und Aufkleber

Am Produkt befinden sich Schilder und Aufkleber, die wichtige Angaben zur Personensicherheit und Produktwartung enthalten. Die Schilder und Aufkleber müssen immer gut leserlich sein. Neue Schilder und Aufkleber können mithilfe der Ersatzteilliste bestellt werden.



s011050

Nützliche Informationen

Website

Informationen zu unseren Produkten, Zubehör, Ersatzteilen und Veröffentlichungen finden Sie auf der Internetseite von Desoutter.

Besuchen Sie: www.desouttertools.com.

Informationen über Installationsanleitungen

Detaillierte Bedienungsanleitungen, Hinweise zur Installation und die aktuellsten Handbücher sind erhältlich unter <https://www.desouttertools.com/resource-centre>.

Informationen über Ersatzteile

Explosionszeichnungen und Ersatzteillisten stehen unter dem Service-Link bei www.desouttertools.com zur Verfügung.

Herkunftsland

France

Sicherheitsdatenblätter MSDS/SDS

Die Sicherheitsdatenblätter enthalten Beschreibungen der von Desoutter vertriebenen chemischen Produkte.

Weitere Informationen finden Sie auf der Webseite von Desoutter unter <https://www.desouttertools.com/legal/sds>.

Copyright

© Copyright 2022, Ets Georges Renault, 38 rue Bobby Sands, 44818 Saint Herblain, France

Alle Rechte vorbehalten. Jeglicher nicht autorisierte Gebrauch sowie das Kopieren der Inhalte ganz oder in Teilen ist verboten. Dies gilt insbesondere für Handelsmarken, Modellbezeichnungen, Artikelnummern und Zeichnungen. Verwenden Sie ausschließlich Originalbauteile. Schäden oder Fehlfunktionen, die durch den Einsatz unzulässiger Bauteile entstehen, sind nicht von der Garantie oder Produkthaftung abgedeckt.

Datos técnicos

Datos técnicos

Tensión (V)

36 V

Impulsor de salida

Modelo	Tipo
EABA26-560-QRX	Salida de liberación rápida
EABA32-410-QRX	Salida de liberación rápida
EABA45-330-QRX	Salida de liberación rápida

Modelo	Tipo
EABA50-450-QRX	Salida de liberación rápida
EABA60-370-QRX	Salida de liberación rápida
EABA75-300-QRX	Salida de liberación rápida
EABA95-240-QRX	Salida de liberación rápida

Rango de par (Nm)

Modelo	Min. - Nominal - Max.
EABA26-560-QRX	5 - 24 - 26
EABA32-410-QRX	7 - 30 - 32
EABA45-330-QRX	9 - 40 - 45
EABA50-450-QRX	9 - 45 - 50
EABA60-370-QRX	10 - 55 - 60
EABA75-300-QRX	12 - 70 - 75
EABA95-240-QRX	19 - 90 - 95

Rango de par (ft.lb)

Modelo	Min. - Nominal - Max.
EABA26-560-QRX	1,12 - 5,40 - 5,85
EABA32-410-QRX	1,57 - 6,74 - 7,19
EABA45-330-QRX	2,02 - 8,99 - 10,12
EABA50-450-QRX	2,02 - 10,12 - 11,24
EABA60-370-QRX	2,25 - 12,36 - 13,49
EABA75-300-QRX	2,70 - 15,74 - 16,86
EABA95-240-QRX	4,27 - 20,23 - 21,36

Velocidad nominal (rpm)

Modelo	
EABA26-560-QRX	560
EABA32-410-QRX	410
EABA45-330-QRX	330
EABA50-450-QRX	450
EABA60-370-QRX	370
EABA75-300-QRX	300
EABA95-240-QRX	240

Peso

Modelo	(kg)	(lb)
EABA26-560-QRX	2,04	4,50
EABA32-410-QRX	2,04	4,50
EABA45-330-QRX	2,21	4,87
EABA50-450-QRX	2,49	5,49
EABA60-370-QRX	2,82	6,22
EABA75-300-QRX	3,42	7,54
EABA95-240-QRX	3,46	7,63

i El peso se indica sin la batería.

Condiciones de almacenamiento y de uso

Temperatura de almacenamiento	-20 a +70 °C (-4 a +158 F)
Temperatura de funcionamiento	0 a 45 °C (32 a 113 F)
Humedad de almacenamiento	0-95 % HR (sin condensación)
Humedad de funcionamiento	0-90 % HR (sin condensación)
Altitud hasta	2000 m (6562 pies)
Utilizable en ambientes con grado de contaminación 2	
Solamente para uso en interiores	

Especificaciones de comunicación inalámbrica

RFID 13,56 MHz

Frecuencia	13,553 MHz - 13,567 MHz
Campo H	< 42 dB μ A/m con 10 m de conformidad con ETSI EN 300 330 v2.1.1

Declaraciones

Responsabilidad

Muchas circunstancias del entorno de trabajo pueden afectar al proceso de apriete y requerir la validación de los resultados. En cumplimiento de las normas y/o reglamentación aplicables, le solicitamos que compruebe el par instalado y la dirección de giro después de cualquier circunstancia que pueda afectar al resultado del apriete. Ejemplos de este tipo de circunstancias son, aunque sin limitarse a ellos:

- Instalación inicial del sistema de mecanizado
- Cambio del lote de piezas, perno, lote de tornillo, herramienta, software, configuración o entorno
- Cambio de conexiones neumáticas o eléctricas
- Cambio en la ergonomía, procesos, procedimientos o prácticas de control de calidad
- cambio de operador
- Cualquier otro cambio que influya en el resultado del proceso de apriete

La comprobación debería:

- Asegurar que las condiciones de la junta no hayan cambiado debido a las circunstancias influyentes.
- Realizarse después de la instalación inicial, un mantenimiento o la reparación del equipo
- Realizarse al menos una vez por cada turno o con otra frecuencia adecuada

DECLARACIÓN DE CONFORMIDAD DE LA UE

Nosotros, **Ets Georges Renault**, 38 rue Bobby Sands, 44818 Saint Herblain, France, declaramos bajo nuestra única responsabilidad que el producto (con nombre, tipo y número de serie indicados en la primera página) es conforme a las siguientes Directivas:

2006/42/CE, 2011/65/UE, 2014/53/UE

Normativas armonizadas aplicadas:

EN 62841-2-2 :2015+AC1 :2015 EN 61000-6-2 :2005 EN 61000-6-3 :2007+A1 :2011 EN 61326-2-3 :2006 EN 301 489-3 V2.1.1 EN 62311 :200

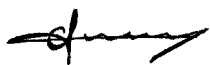
Las autoridades pueden solicitar información técnica relevante a:

Pascal ROUSSY, R&D Manager, 38 rue Bobby Sands, 44818 Saint Herblain, France

Saint-Herblain, 2021/09/13

Pascal ROUSSY, R&D Manager

Firma del emisor



Declaración sobre ruido y vibraciones

- Nivel de potencia acústica < 70 dB(A), incertidumbre 3 dB(A), de acuerdo con EN 62841-2-2 : 2014.
- Valor total de vibración < 2.5 m/s², incertidumbre 3 m/s², de acuerdo con EN 62841-2-2 : 2014.

Los valores declarados se han obtenido en pruebas de laboratorio realizadas con arreglo a las normas establecidas y son aptos para compararlos con los valores declarados de otras herramientas probadas de conformidad con las mismas normas. El nivel de emisión de vibración puede usarse para una evaluación preliminar de la exposición. Estos valores declarados no son adecuados para utilizar en evaluaciones de riesgos; asimismo, los valores medidos en lugares de trabajo específicos pueden ser más altos. Los valores de exposición reales y el riesgo de daño experimentados por un usuario individual son exclusivos y dependen de la forma de trabajo del usuario, la pieza de trabajo y el diseño del puesto de trabajo, así como del tiempo de exposición y del estado físico del usuario.

Nosotros, **Ets Georges Renault**, no tendremos responsabilidad alguna por las consecuencias del uso de los valores declarados en lugar de los valores reflejados en la exposición real, en una evaluación de riesgos individuales en una situación de trabajo sobre la que no tenemos control alguno.

Esta herramienta puede provocar el síndrome de vibración mano-brazo si no se utiliza correctamente. Puede encontrar una guía de la UE sobre cómo manejar la vibración brazo-mano accediendo a <http://www.pneurop.eu/index.php> y seleccionando "Tools" (Herramientas) y "Legislation" (Legislación).

Se recomienda mantener un programa de control sanitario de detección precoz de los síntomas relacionados con la exposición a vibraciones, con objeto de modificar los procedimientos de gestión y así evitar posibles discapacidades.

- ⓘ Este equipo está diseñado para aplicaciones de montaje de sujeción:
La emisión de ruido se indica a modo de guía para el fabricante de la máquina. Los datos de emisiones de ruido y vibraciones de toda la máquina deberán incluirse en el manual de instrucciones de esta.

RAEE

Información referente a los **Residuos de Aparatos Eléctricos y Electrónicos** (RAEE):

Este producto y su información cumplen los requisitos de la directiva/normativa RAEE (2012/19/EU), y deben manipularse según sus disposiciones.

El producto está marcado con el símbolo siguiente:



Los productos marcados con el símbolo de un contenido de basuras con ruedas tachado y una barra negra única debajo, contienen partes que se deben manipular de conformidad con la directiva/normativa RAEE. El producto completo, o las piezas RAEE, pueden enviarse a su «Centro de atención al cliente» para su manipulación.

Información relacionada con el Artículo 33 en REACH

El Reglamento europeo (UE) n.º 1907/2006 relativo al registro, evaluación, autorización y restricción de las sustancias y preparados químicos (REACH) define, entre otras cosas, los requisitos relacionados con la comunicación en la cadena de suministro. El requisito de información también es aplicable a los productos que contengan las llamadas Sustancias muy preocupantes (la «Lista de candidatos»). El 27 de junio de 2018 se añadió el plomo (CAS n.º 7439-92-1) a la Lista de candidatos.

De acuerdo con lo mencionado anteriormente, el objetivo del presente documento es informarle de que determinados componentes eléctricos y mecánicos en el producto pueden contener plomo. El presente documento es de conformidad con la legislación sobre restricción de sustancias actual y se basa en las exenciones legítimas en la Directiva RoHS (2011/65/UE). No se producirán fugas de plomo ni mutará a partir del producto durante el uso normal y la concentración de plomo en el producto completo se encuentra bastante por debajo del límite umbral aceptable. Tenga en cuenta los requisitos locales sobre el desecho del plomo al final de la vida útil del producto.

Requisitos regionales

⚠ ADVERTENCIA

Este producto le puede exponer al plomo, considerado por el Estado de California como causante de cáncer y de malformaciones congénitas u otros daños reproductivos. Para más información visite

<https://www.p65warnings.ca.gov/>

Seguridad

CONSERVAR - ENTREGAR AL USUARIO

⚠️ ADVERTENCIA Respete siempre todas las normas de seguridad relativas a la instalación, funcionamiento y mantenimiento de acuerdo a la legislación local.

Declaración de uso

- Solo para uso profesional.
- No se debe modificar ningún aspecto de este producto ni de sus accesorios.
- No utilice este producto si está dañado.
- Si los datos del producto o las señales de advertencia de peligro en el producto dejan de ser legibles o se desprenden, sustitúyalas sin demora.
- Solo personal cualificado puede instalar, operar y realizar servicios en el producto en un entorno industrial.

Uso previsto

Este producto se ha diseñado para instalar y retirar pernos roscados en madera, metal o plástico. No se permite otro uso. Únicamente para uso profesional.

Utilice únicamente las baterías Desoutter siguientes.

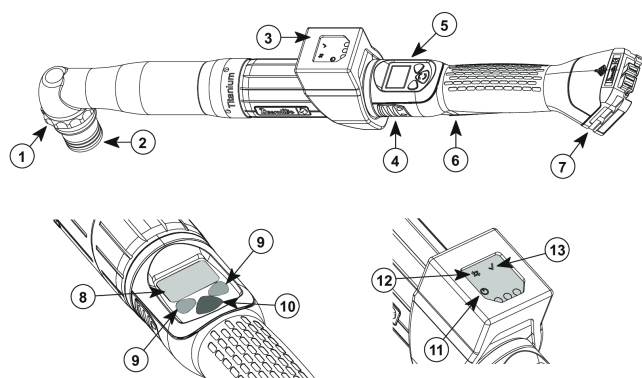
- Batería 18 V 25 Ah, número de pieza 6158132660
- Batería 36 V 25 Ah, número de pieza 6158132670

Las baterías debe cargarse **únicamente** con el cargador Desoutter (6158132700).

Para instrucciones completas, consulte las instrucciones de seguridad del cargador (6159925310) y las instrucciones de producto disponibles en varios idiomas en <https://www.desouttertools.com/resource-centre>

Instrucciones específicas para el producto

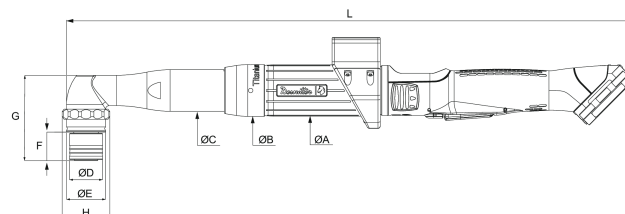
Descripción del producto



- 1 Adaptador de montaje para Crowfoot
- 2 Salida de liberación rápida
- 3 Lector de accesorios QR
- 4 LED informativos
- 5 Pantalla y botones
- 6 Gatillo

- 7 Módulo de la batería
- 8 Pantalla
- 9 Botones de programación
- 10 Botón de marcha atrás
- 11 Indicador que muestra si el accesorio está en marcha.
- 12 Lectura/escritura en progreso
- 13 El Pset asignado está listo.

Dimensiones (mm)



Modelo	L	ØA	ØB
EABA26-560-QRX	496	46	46
EABA32-410-QRX	496	46	46
EABA45-330-QRX	506	46	46
EABA50-450-QRX	546	46	46
EABA60-370-QRX	559	46	58
EABA75-300-QRX	582	46	58
EABA95-240-QRX	582	46	58

Modelo	ØC	D	E
EABA26-560-QRX	37	25	28
EABA32-410-QRX	37	25	28
EABA45-330-QRX	37	30	35
EABA50-450-QRX	37	30	35
EABA60-370-QRX	41	33	40
EABA75-300-QRX	49	34	43
EABA95-240-QRX	49	34	43

Modelo	F	G	H
EABA26-560-QRX	22	68	35
EABA32-410-QRX	22	68	35
EABA45-330-QRX	25	76	44
EABA50-450-QRX	25	76	44
EABA60-370-QRX	27	85	49
EABA75-300-QRX	28	88	52
EABA95-240-QRX	28	88	52

Seguridad general de instalación

La instalación deberá realizarla exclusivamente personal cualificado.

Cuelgue la herramienta con seguridad, por ejemplo, utilizando un compensador. Si utiliza un gancho de suspensión, compruebe que está en buen estado y correctamente sujeto.

Safety Information

Para herramientas con cable: Conecte siempre el sistema a una toma eléctrica con toma de tierra. Asegúrese siempre de desconectar el enchufe y de apagar el controlador antes de conectar o desconectar el cable de la herramienta.

Seguridad general de operación

- **No utilice guantes a causa del riesgo de atrapamiento.**
- **Prepárese para la fuerza de reacción que se produce al utilizar la herramienta.** Apoye siempre la empuñadura de la herramienta firmemente, en la dirección contraria a la rotación del husillo, a fin de reducir el efecto de la reacción repentina del par durante el atornillado final y destornillado inicial.
- **Nunca sujete el eje, el zócalo ni la extensión del eje.**
- **Los operarios y el personal de mantenimiento deben estar físicamente capacitados para manejar el volumen, peso y potencia de la herramienta.**
- **Si es posible, utilice un brazo de suspensión para absorber el par de reacción. Si no es posible, se recomienda la utilización de empuñaduras laterales para herramientas de caja recta y herramientas con empuñadura de pistola; se recomienda utilizar barras de reacción para aprietatuercas de ángulo.** Se recomienda el uso de un método de absorción del par de reacción superior a 4 Nm (3 lbf.ft) para herramientas de caja recta, superior a 10 Nm (7,5 lbf.ft) para herramientas con empuñadura de pistola y superior a 60 Nm (44 lbf.ft) para aprietatuercas de ángulo.
- **Las sujeciones apretadas a un par excesivo o insuficiente pueden causar lesiones graves.** Los montajes que precisen un par específico deben comprobarse utilizando un medidor de par. Las llaves dinámicas llamadas de "clic" no comprueban las condiciones de sobrepotencialmente peligrosas. Las sujeciones apretadas a un par excesivo o insuficiente se pueden romper, aflojar o separar. Los montajes que se suelten disparados pueden convertirse en proyectiles.
- **Utilice únicamente llaves eléctricas o de impacto que estén en buen estado.** No utilice llaves manuales.
- **Cuando se utiliza una herramienta motorizada, el operario puede experimentar molestias en las manos, brazos, hombros, cuellos u otras partes del cuerpo.** Alterne entre posturas adecuadas durante el día de trabajo, mantenga un punto de apoyo seguro y evite posturas incómodas o desequilibradas.
- **Movimientos continuos, posiciones incorrectas y exposición a la vibración pueden dañar las manos y brazos.** Si siente adormecimiento, cosquilleo, dolor o palidez en la piel, deje de usar la herramienta y consulte a un médico.
- **Tenga cuidado cuando realice operaciones en espacios confinados.** Tenga cuidado de sufrir un aplastamiento de las manos entre la máquina y la pieza.
- **Un nivel alto de ruido puede causar pérdida auditiva permanente.** Utilice protectores para los oídos tal como lo recomiende su empleador o de acuerdo a los reglamentos de higiene y seguridad laboral.
- **Asegúrese de que la pieza de trabajo esté bien sujeta.**

- **Trabajar con cuidado en lugares desconocidos.** Tenga en cuenta los peligros potenciales creados por su actividad de trabajo. Esta herramienta no está aislada para el contacto con fuentes de alimentación eléctrica.

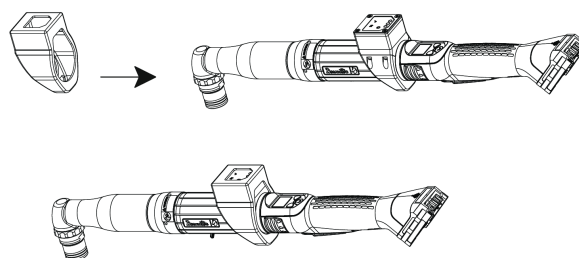
Herramientas utilizadas junto con una barra de reacción:

No poner nunca la mano sobre la barra de reacción ni cerca de ella mientras se esté usando la herramienta. Tenga presente la dirección de rotación del eje antes de arrancar la herramienta, porque la fuerza de reacción puede producirse en una dirección inesperada con el riesgo de sufrir lesiones por aplastamiento.

Para herramientas con un embrague: Comprobar el correcto funcionamiento inmediatamente después de ajustar el embrague.

Cómo montar la tapa en el lector

- ① Recomendamos montar la tapa suministrada en el embalaje para proteger el lector de golpes y daños.



Deslice la tapa en la herramienta.
Empújela con fuerza sobre el lector.

Cómo insertar la batería



Inserte la batería en la parte delantera o trasera de la herramienta hasta que oiga claramente un sonido de bloqueo.

Si no hay interruptor de encendido/apagado: la herramienta está preparada para funcionar en cuanto se monta una batería.

Al encender la herramienta, los LED de la herramienta parpadearán.

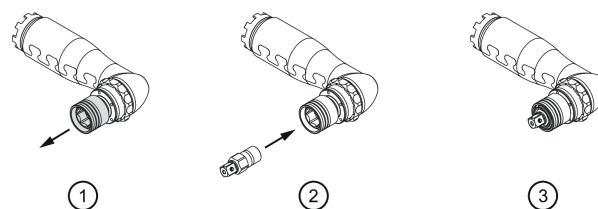
AVISO Recomendaciones de uso para baterías
Garantizar una mayor vida útil de la batería.

- ▶ Desconecte la batería cuando no esté utilizando la herramienta.

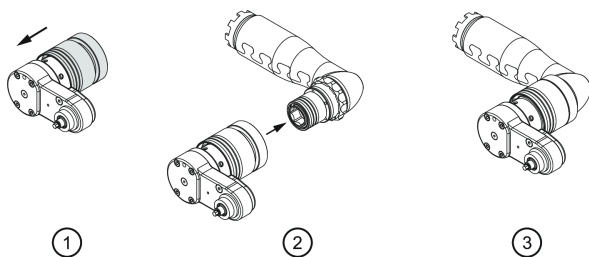
No deje la batería en el cargador cuando este no esté conectado a la alimentación eléctrica.

Como conectar accesorios

Boca



Crowfoot



Conecte un accesorio en la salida de liberación rápida de la forma indicada y asígnele un Pset.

Arranque de la herramienta

Coloque la herramienta en una toma adecuada.

Seleccione el Pset adecuado.

Sostenga la herramienta por el asa y colóquela en el perno a apretar.

⚠ ADVERTENCIA Peligro de lesión

Dado que la fuerza de reacción aumenta proporcionalmente a par de torsión, existe un riesgo de lesión física grave del operario como resultado de un comportamiento imprevisto de la herramienta.

- ▶ Asegúrese de que la herramienta se encuentra en perfectas condiciones de trabajo y que el sistema está correctamente programado.

Apretar el gatillo para poner en marcha la herramienta.

Cómo cambiar el sentido de la rotación marcha atrás



1 Pulse el botón de marcha atrás

Pulse este botón.

Los LED rojo y verde parpadearán de manera alterna.

Coloque la herramienta en el perno y apriete el gatillo.

Seguridad general durante el servicio y el mantenimiento

Mantenga siempre el controlador apagado durante el servicio para evitar una puesta en marcha inesperada.

Las revisiones deberá realizarlas exclusivamente personal cualificado.

Instrucciones de limpieza

Limpie las piezas con un paño húmedo. Utilice solo agua, no se deben utilizar agentes limpiadores que contengan disolventes.

Contacte con su técnico de servicio Desoutter para obtener asesoramiento de limpieza según las recomendaciones actuales y para su herramienta específica.

Advertencias de seguridad generales para herramientas eléctricas

⚠ ADVERTENCIA Lea todas las advertencias de seguridad, instrucciones, ilustraciones y especificaciones facilitadas con esta herramienta motorizada.

El incumplimiento de todas las instrucciones enumeradas a continuación puede resultar en descarga eléctrica, incendio o lesión grave.

Conserve todas las advertencias e instrucciones para consultas posteriores.

El término «herramienta motorizada» en las advertencias hace referencia su herramienta motorizada (con cable) conectada a la red principal o herramienta motorizada (inalámbrica) operada mediante batería.

Seguridad de la zona de trabajo

- **Mantenga la zona de trabajo limpia y bien iluminada.** Las zonas saturadas u oscuras son propensas a accidentes.
- **No maneje herramientas motorizadas en atmósferas con riesgo de explosión, como en presencia de líquidos inflamables, gases o polvo.** Las herramientas motorizadas provocan chispas que pueden inflamar polvo o humos.
- **Mantenga a niños y transeúntes alejados mientras maneje una herramienta motorizada.** Las distracciones pueden causar que pierda el control.

Seguridad eléctrica

- **Los enchufes de la herramienta motorizada deben coincidir con la toma. Nunca realice ningún tipo de modificación en el enchufe. No utilice enchufes con adaptador con herramientas motorizadas con conexión a tierra (con toma de masa).** Los enchufes sin modificar y las tomas correspondientes reducirán el riesgo de descarga eléctrica.
- **Evite el contacto corporal con superficies con conexión a tierra o con toma de masa, como tuberías, radiadores, fogones y refrigeradores.** Existe un riesgo incrementado de descarga eléctrica si su cuerpo tiene conexión a tierra o de masa.
- **No exponga las herramientas motorizadas a la lluvia o condiciones húmedas.** Si el agua penetra en la herramienta motorizada incrementará el riesgo de descarga eléctrica.
- **No haga un mal uso del cable. Nunca utilice el cable para transportar, estirar o desconectar la herramienta motorizada. Mantenga el cable lejos de calor, aceite, bordes afilados o partes giratorias.** Los cables dañados o enredados incrementan el riesgo de descarga eléctrica.
- **Cuando utilice una herramienta motorizada en exterior, use un cable alargador adecuado para uso en exterior.** Utilizar un cable adecuado para uso en exterior reduce el riesgo de descarga eléctrica.

- **Si no puede evitar utilizar una herramienta motorizada en una ubicación húmeda, utilice un suministro eléctrico protegido por interruptor diferencial (ID).** Utilizar un ID reduce el riesgo de descarga eléctrica.

Seguridad personal

- **Permanezca alerta, preste atención a lo que hace y utilice el sentido común cuando maneje una herramienta motorizada. No utilice una herramienta motorizada si está cansado o bajo la influencia de drogas, alcohol o medicamentos.** Un descuido mientras maneja herramientas motorizadas puede resultar en lesiones personales graves.
- **Utilice equipo de protección individual. Utilice siempre protección ocular.** El equipo de protección como la máscara de polvo, calzado de seguridad antideslizante, casco o protección auditiva utilizado para las condiciones adecuadas reducirá las lesiones personales.
- **Evite puestas en marcha no intencionadas. Asegúrese de que el interruptor se encuentre en la posición de apagado antes de conectarse al suministro eléctrico o la batería, coger o transportar la herramienta.** Transportar herramientas motorizadas con su dedo en el interruptor o conectar herramientas motorizadas con el interruptor encendido es propenso a accidentes.
- **Retire cualquier llave de ajuste antes de poner en marcha la herramienta motorizada.** Una llave acoplada a una parte giratoria de la herramienta motorizada puede resultar en una lesión personal.
- **No intente alcanzar demasiado lejos. Mantenga un punto de apoyo y equilibrio adecuados en todo momento.** Esto permite un mejor control de la herramienta motorizada en situaciones inesperadas.
- **Lleve la vestimenta adecuada. No lleve ropa holgada ni joyería. Mantenga su pelo y ropa lejos de las partes móviles.** La ropa holgada, la joyería o el pelo largo pueden quedar atrapados en las partes móviles.
- **Si se facilitan dispositivos para la conexión de equipos de extracción y recogida de polvo, asegúrese de que se conecten y utilicen correctamente.** Usar un sistema de recogida del polvo puede reducir los peligros relacionados con el polvo.
- **No permita que su conocimiento obtenido de un uso frecuente de herramientas haga que se vuelva descuidado e ignore los principios de seguridad de la herramienta.** Una acción descuidada puede causar lesiones graves en una fracción de segundo.
- **Sujete la herramienta motorizada mediante superficies de agarre aisladas cuando realice una operación donde el perno pueda entrar en contacto con cableado oculto o con su propio cable.** Los pernos que entren en contacto con un cable bajo tensión pueden hacer que las partes metálicas expuestas de la herramienta motorizada se encuentren bajo tensión y podría causar una descarga eléctrica para el operario.

Uso y cuidado de la herramienta motorizada

- **No fuerce la herramienta motorizada. Utilice la herramienta motorizada adecuada para su aplicación.** La herramienta motorizada adecuada realizará el trabajo de forma mejor y más segura a la velocidad para la que se diseñó.
- **No utilice la herramienta motorizada si el interruptor no la enciende y apaga.** Cualquier herramienta motorizada que no se pueda controlar con el interruptor es peligrosa y se debe reparar.
- **Desconecte el enchufe de la red eléctrica y/o la batería, si es extraíble, de la herramienta motorizada antes de realizar cualquier ajuste, cambiar accesorios o almacenar las herramientas motorizadas.** Dichas medidas de seguridad preventiva reducen el riesgo de poner en marcha accidentalmente la herramienta motorizada.
- **Almacene las herramientas motorizadas inactivas fuera del alcance de los niños y no permita que personas no familiarizadas con la herramienta motorizada o estas instrucciones utilicen la herramienta motorizada.** Las herramientas motorizadas son peligrosas en manos de usuarios sin formación.
- **Mantenimiento de herramientas motorizadas y accesorios. Compruebe si existe desalineación u obstrucción de partes móviles, rotura de partes y cualquier otra condición que pueda afectar al funcionamiento de la herramienta.** En caso de daños, repare la herramienta motorizada antes de utilizarla. Muchos accidentes se producen por herramientas motorizadas con un mantenimiento insuficiente.
- **Mantenga las herramientas de corte afiladas y limpias.** Las herramientas de corte correctamente mantenidas y con filos afilados tienen menos riesgo de doblarse y son más fáciles de controlar.
- **Utilice la herramienta motorizada, los accesorios y las puntas de herramienta, etc. de acuerdo con estas instrucciones, teniendo en cuenta las condiciones de trabajo y el trabajo que se debe realizar.** Utilizar la herramienta motorizada para operaciones que no sean las previstas puede resultar en una situación peligrosa.
- **Mantenga las asas y las superficies de agarre secas, limpias y libres de aceite y grasa.** Las asas y las superficies de agarre resbaladizas no permiten un manejo y control seguro de la herramienta bajo situaciones inesperadas.

Uso y cuidado de la batería de herramienta

- **Recargue solo con el cargador especificado por el fabricante.** Un cargador adecuado para un tipo de batería puede crear un riesgo de incendio cuando se utilice con otra batería.
- **Solo utilice herramientas motorizadas con batería designadas específicamente.** Utilizar cualquier otro tipo de batería puede crear un riesgo de lesión e incendio.
- **Cuando no se utilice la batería, manténgala alejada de otros objetos metálicos, como clips de papel, monedas, llaves, clavos, tornillos u otros objetos metálicos pequeños, que puedan realizar una conexión de un**

terminal a otro. Provocar un cortocircuito entre los terminales de la batería puede causar quemaduras o un incendio.

- **Bajo condiciones abusivas, la batería puede expulsar líquido; evite el contacto. En caso de contacto accidental, enjuague con agua. En caso de que el líquido entre en contacto con los ojos, busque ayuda médica adicional.** El líquido expulsado de la batería puede causar irrigación o quemaduras.
- **No utilice una batería o dispositivo dañado o modificado.** Las baterías dañadas o modificadas pueden presentar un comportamiento impredecible que resulte un incendio, explosión o riesgo de lesiones.
- **No exponga una batería o herramienta a fuego o temperatura excesiva.** La exposición al fuego o temperatura superior a 130 °C puede causar explosión.
- **Siga todas las instrucciones de carga y no cargue la batería o herramienta fuera del rango de temperaturas indicado en las instrucciones.** Una carga inadecuada o a temperaturas fuera del rango especificado puede dañar la batería e incrementar el riesgo de incendio.

Servicio

- **Asegúrese de que un técnico de reparaciones cualificado realice el servicio de su herramienta motorizada utilizando solo recambios idénticos.** Esto garantizará que se mantenga la seguridad de la herramienta motorizada.
- **Nunca realice servicio en baterías dañadas.** El servicio de baterías solo debe realizarlo el fabricante o proveedores de servicio autorizados.

Señales y etiquetas

El producto está equipado con signos y adhesivos que contienen información importante sobre seguridad personal y mantenimiento del producto. Los signos y los adhesivos deben ser fácilmente legibles en todo momento. Pueden solicitarse signos y adhesivos nuevos utilizando la lista de repuestos.



s011050

Información de utilidad

Sitio de Internet

Puede encontrar información relacionada con nuestros productos, accesorios, piezas de repuesto y material impreso en el sitio web Desoutter.

Visite: www.desouttertools.com.

Información sobre manuales de instalación

Tiene a su disposición instrucciones de funcionamiento, instalación y actualización en <https://www.desouttertools.com/resource-centre>.

Información sobre los repuestos

Tiene a su disposición vistas de despiece y listas de repuestos en el enlace de servicio en www.desouttertools.com.

País de origen

France

Hojas de datos de seguridad de MSDS/ SDS

Las fichas de seguridad describen los productos químicos vendidos por Desoutter.

Consulte el sitio web Desoutter para más información <https://www.desouttertools.com/legal/sds>.

Copyright

© Copyright 2022, Ets Georges Renault, 38 rue Bobby Sands, 44818 Saint Herblain, France

Todos los derechos reservados. Queda prohibido el uso autorizado o la copia total o parcial del presente contenido. En particular, esta prohibición se aplica a las marcas comerciales, las denominaciones de los modelos, los números de referencia y los gráficos. Utilice sólo piezas autorizadas. Los daños o averías causados por el uso de piezas no homologadas no serán cubiertos por la Garantía o la Responsabilidad civil del producto.

Dados técnicos

Dados técnicos

Tensão (V)

36 V

Adaptador de soquete

Modelo	Tipo
EABA26-560-QRX	Saída do Engate Rápido
EABA32-410-QRX	Saída do Engate Rápido
EABA45-330-QRX	Saída do Engate Rápido
EABA50-450-QRX	Saída do Engate Rápido
EABA60-370-QRX	Saída do Engate Rápido
EABA75-300-QRX	Saída do Engate Rápido
EABA95-240-QRX	Saída do Engate Rápido

Intervalo de torque (Nm)

Model (Modelo)	Mín. / Nominal / Máx.
EABA26-560-QRX	5 / 24 / 26
EABA32-410-QRX	7 / 30 / 32
EABA45-330-QRX	9 / 40 / 45
EABA50-450-QRX	9 / 45 / 50
EABA60-370-QRX	10 / 55 / 60

Safety Information

Model (Modelo)	Mín. / Nominal / Máx.
EABA75-300-QRX	12 / 70 / 75
EABA95-240-QRX	19 / 90 / 95

Intervalo de torque (Nm)

Model (Modelo)	Mín. / Nominal / Máx.
EABA26-560-QRX	1,12 / 5,40 / 5,85
EABA32-410-QRX	1,57 / 6,74 / 7,19
EABA45-330-QRX	2,02 / 8,99 / 10,12
EABA50-450-QRX	2,02 / 10,12 / 11,24
EABA60-370-QRX	2,25 / 12,36 / 13,49
EABA75-300-QRX	2,70 / 15,74 / 16,86
EABA95-240-QRX	4,27 / 20,23 / 21,36

Velocidade nominal (rpm)

Model (Modelo)	
EABA26-560-QRX	560
EABA32-410-QRX	410
EABA45-330-QRX	330
EABA50-450-QRX	450
EABA60-370-QRX	370
EABA75-300-QRX	300
EABA95-240-QRX	240

Peso

Modelo	(kg)	(lb)
EABA26-560-QRX	2,04	4,50
EABA32-410-QRX	2,04	4,50
EABA45-330-QRX	2,21	4,87
EABA50-450-QRX	2,49	5,49
EABA60-370-QRX	2,82	6,22
EABA75-300-QRX	3,42	7,54
EABA95-240-QRX	3,46	7,63

 O peso é apresentado sem a bateria.

Armazenamento e condições de uso

Temperatura de armazenamento	-20 até +70 °C (-4 até +158 F)
Temperatura de operação	0 até 45 °C (32 até 113 F)
Umidade de armazenamento	0 até 95% (umidade relativa, sem condensação)
Umidade na operação	0 até 90% (umidade relativa, sem condensação)
Altitude máxima	2.000 m (6.562 pés)
Utilização em ambientes com poluição de nível 2	
Uso apenas em locais abrigados	

Especificações da comunicação sem fio

WI-FI 13,56 MHz

Frequência	13,553 MHz - 13,567 MHz
Campo	< 42 dBµA/m at 10 m according to ETSI EN 300 330 v2.1.1

Declarações

Responsabilidade

Muitas situações no ambiente operacional poderão afetar o processo de aperto e podem exigir uma validação de resultados. Em conformidade com as normas e/ou regulamentos aplicáveis, solicitamos que se inspecione o torque instalado e a direção rotacional depois de qualquer situação que possa influenciar o resultado do aperto. Exemplos de tais situações incluem, porém não se limitam a:

- instalação inicial do sistema de ferramentas
- alteração do lote de peças, parafuso, lote de parafusos, ferramenta, software, configuração ou ambiente
- Alteração nas conexões de ar ou elétricas
- alteração na ergonomia da linha, processo, procedimentos ou práticas de qualidade
- alteração do operador
- qualquer outra alteração que influencie o resultado do processo de aperto

A inspeção deve:

- Garantir que as condições da junta não tenham sido alteradas por situações de influência.
- Ser realizada após a instalação inicial, manutenção ou reparo do equipamento.
- Ocorrer no mínimo uma vez por turno ou em outra frequência adequada.

DECLARAÇÃO DE CONFORMIDADE DA UNIÃO EUROPEIA

Nós da, **Ets Georges Renault**, 38 rue Bobby Sands, 44818 Saint Herblain, France, declaramos, sob nossa exclusiva responsabilidade, que este produto (com nome, tipo e número de série; ver primeira página) está em conformidade com a(s) seguinte(s) Diretiva(s):

2006/42/EC, 2011/65/EC, 2014/53/EU

Normas harmonizadas aplicadas:

EN 62841-2-2:2015+AC1:2015 EN 61000-6-2:2005 EN 61000-6-3:2007+A1:2011 EN 55014-3:2006 EN 55014-2:200

As autoridades podem solicitar informações técnicas pertinentes de:

Pascal ROUSSY, R&D Manager, 38 rue Bobby Sands, 44818 Saint Herblain, France

Saint-Herblain, 2021/09/13

Pascal ROUSSY, R&D Manager

Assinatura do emissor



Declaração sobre Ruído & Vibração

- Nível de potência sonora < 70 dB(A) , incerteza de 3 dB(A), conforme EN 62841-2-2 : 2014.
- Valor total de vibração < 2.5 m/s², incerteza de 3 m/s², conforme EN 62841-2-2 : 2014.

Esses valores declarados foram obtidos por testes de laboratório de acordo com as normas citadas e são adequados para comparação com os valores declarados para outras ferramentas testadas de acordo com as mesmas normas. O nível de emissão da vibração pode ser usado como uma avaliação preliminar da exposição. Esses valores declarados não são adequados para uso em avaliações de risco e os valores medidos em locais de trabalho individuais podem ser maiores. Os valores reais de exposição e risco de dano experimentados por um usuário individual são únicos e dependem da forma como o usuário trabalha, da peça trabalhada e do design da estação de trabalho, bem como do tempo de exposição e da condição física do usuário.

Nós, **Ets Georges Renault**, não somos responsáveis pelas consequências do uso do valores declarados, ao invés de valores refletindo a exposição real, em uma avaliação de risco individual, em um situação de trabalho sobre a qual não temos controle.

Esta ferramenta pode causar síndrome de vibração na mão e no braço se seu uso não for administrado corretamente. Um guia da UE para gerenciar as vibrações transmitidas à mão/braço pode ser encontrado acessando <http://www.pneuop.eu/index.php> e selecionando "Tools" e, em seguida, "Legislation".

Recomendamos um programa de vigilância médica para detectar, em tempo hábil, sintomas que possam estar relacionados com a exposição à vibração ou ruído, para que os procedimentos de manuseio possam ser modificados, de forma a ajudar a evitar lesões futuras.

- i** Este equipamento é destinado a aplicações fixas.
A emissão de ruídos é dada como um guia para o construtor da máquina. Dados sobre emissão de vibração e ruído da máquina completa devem ser indicados no Manual de Instruções da máquina.

WEEE

Informações relativas aos **Resíduos de Equipamentos Elétricos e Eletrônicos (WEEE)**:

Este produto e suas informações cumprem os requisitos da diretiva/regulamentações de WEEE (2012/19/EU) e devem ser tratados em conformidade com esta diretiva/regulamentações.

O produto está marcado com o símbolo a seguir:



Produtos com o símbolo de uma recipiente para resíduos marcados com um X e uma barra única na cor preta embaixo deste devem ser manuseados em conformidade com a diretiva/regulamentações de WEEE. Todo o produto ou peças de WEEE podem ser enviados à sua "Central de Atendimento ao Cliente" para manuseio.

Informações a respeito do Artigo 33 do REACH

O European Regulation (UE) nº 1907/2006, sobre Registros, Avaliação, Autorização e Restrição de Produtos Químicos (REACH), define, entre outras coisas, os requisitos relacionados à comunicação na cadeia de fornecimento. O requisito das informações aplica-se também a produtos que contêm as chamadas Substâncias de Preocupação muito elevada (a "Lista de Candidatos"). No dia 27 de junho de 2018 foi acrescentado à Lista de Candidatos o metal chumbo (CAS nº 7439-92-1).

Conforme o que foi dito acima, o objetivo do presente documento é informar que determinados componentes elétricos e mecânicos do produto podem conter o metal chumbo. Isto está em conformidade com a atual legislação de restrição de substâncias e baseia-se em exceções legítimas da Diretiva RoHS (2011/65/EU). Não ocorre vazamento ou mutação do chumbo a partir do produto durante uso normal e a concentração do metal chumbo no produto completo fica bem abaixo do limite aplicável. Também deve-se levar em conta os requisitos locais relacionados ao descarte de chumbo no final da vida útil do produto.

Requisitos regionais

⚠ AVISO

Este produto pode expor você a produtos químicos, entre eles o chumbo, conhecido no Estado da Califórnia por causar câncer e defeitos em recém-nascidos, além de outros danos à reprodução. Para mais informações, visite <https://www.p65warnings.ca.gov/>

Segurança

NÃO DESCARTE - ENTREGUE AO USUÁRIO

⚠ AVISO Todas as normas de segurança localmente legisladas relativas a instalação, operação e manutenção devem ser sempre respeitadas.

Declaração de Uso

- Apenas para uso profissional.
- Este produto e seus acessórios não devem ser modificados em qualquer circunstância.
- Não utilize o produto se estiver danificado.

Safety Information

- Se os dados do produto ou as sinalizações de perigo na ferramenta deixarem de ser legíveis ou se soltarem, substitua o produto sem demora.
- Somente uma pessoa qualificada em ambiente de montagem industrial pode instalar, operar ou dar manutenção de rotina no produto.

Uso pretendido

Esse produto foi projetado para instalar e remover fixadores rosqueados em madeira, metal ou plástico. Não é permitida nenhuma outra utilização. Apenas para uso profissional.

Use apenas baterias Desoutter.

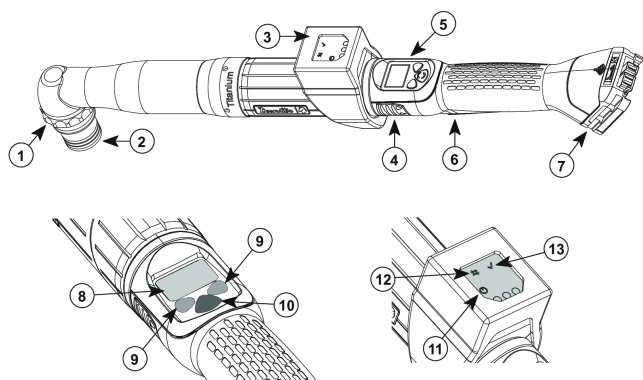
- Bateria 18 V 2,5 Ah, número da peça 6158132660
- Bateria 36 V 2,5 Ah, número da peça 6158132670

As baterias devem ser carregadas **apenas** com o carregador de bateria Desoutter (6158132700).

Para instruções completas, consulte as Instruções de Segurança do carregador de pilhas (6159925310) e Instruções do Produto, disponíveis em diversos idiomas em <https://www.desouttertools.com/resource-centre>

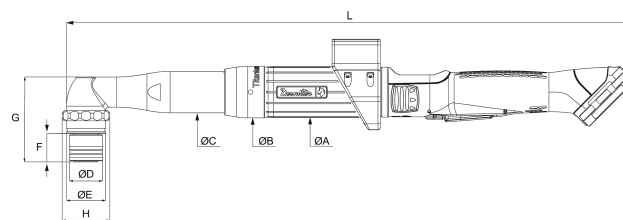
Instruções específicas do produto

Descrição do produto



1	Adaptador de instalação para Crowfoot
2	Saída do engate rápido
3	Leitor de acessório QR
4	LEDs de sinalização
5	Display e botões
6	Gatilho
7	Espaço ocupado pela bateria
8	Display
9	Botões de programação
10	Botão de Reverso
11	Luz de sinalização mostrando que o acessório está ligado.
12	Leitura/gravação em andamento
13	O Pset atribuído está pronto.

Dimensões (mm)



Model (Modelo)	L	ØA	ØB
EABA26-560-QRX	496	46	46
EABA32-410-QRX	496	46	46
EABA45-330-QRX	506	46	46
EABA50-450-QRX	546	46	46
EABA60-370-QRX	559	46	58
EABA75-300-QRX	582	46	58
EABA95-240-QRX	582	46	58

Modelo	ØC	D	E
EABA26-560-QRX	37	25	28
EABA32-410-QRX	37	25	28
EABA45-330-QRX	37	30	35
EABA50-450-QRX	37	30	35
EABA60-370-QRX	41	33	40
EABA75-300-QRX	49	34	43
EABA95-240-QRX	49	34	43

Modelo	F	G	H
EABA26-560-QRX	22	68	35
EABA32-410-QRX	22	68	35
EABA45-330-QRX	25	76	44
EABA50-450-QRX	25	76	44
EABA60-370-QRX	27	85	49
EABA75-300-QRX	28	88	52
EABA95-240-QRX	28	88	52

Segurança Geral na Instalação

A instalação deverá ser apenas realizada por pessoal qualificado.

Se necessário, pendure a ferramenta com segurança, por exemplo, utilizando um balancim. Quando usar um olhal de suspensão, verifique se ele está em boas condições e corretamente apertado.

Para ferramentas com cabo de alimentação Conecte sempre o sistema a uma tomada aterrada. Certifique-se sempre de que o plugue principal está desconectado e o controlador está desligado antes de conectar ou desconectar o cabo da ferramenta.

Segurança Geral na Operação

- Em virtude do risco de enganchamento, não use luvas de proteção.

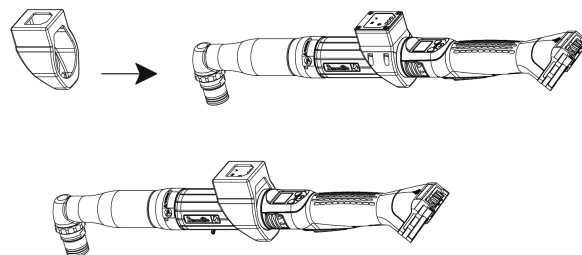
- **Esteja preparado para a força de reação desenvolvida quando se usa a ferramenta.** Segure a empunhadura da ferramenta sempre com firmeza, no sentido oposto à rotação do eixo, a fim de reduzir o efeito da reação de torque súbito durante o aperto final ou o desaperto inicial.
- **Nunca segure o adaptador, soquete ou extensão do adaptador.**
- **Os usuários e técnicos de manutenção devem ser fisicamente capazes de lidar com o volume, peso e potência da ferramenta.**
- **Se possível, utilize um braço de suspensão para absorver o torque de reação. Se não for possível, são recomendados punhos laterais para ferramentas de base reta e do tipo pistola; barras de reação para apertadeiras angulares.** Recomenda-se usar meios para absorver o torque de reação superior a 4 Nm (3 lbf.ft) para ferramentas retas, superior a 10 Nm (7,5 lbf.ft) para ferramentas de empunhadura tipo pistola e superior a 60 Nm (44 lbf.ft) para apertadeiras angulares.
- **Podem ser causadas lesões graves em decorrência de fixadores excessivamente ou pouco apertados.** Use um torquímetro para conferir as montagens que exijam torque específico. Os chamados torquímetros de “estalo” não verificam condições de torque excessivo potencialmente perigosas. Fixadores excessivamente ou pouco apertados podem sofrer quebra, desaperto ou separação. Conjuntos soltos podem se tornar fragmentos e serem projetados.
- **Use apenas soquetes de força ou impacto em boas condições.** Não utilize encaixes de mão.
- **Quando usar uma ferramenta elétrica, o operador pode sentir desconforto nas mãos, braços, ombros, pescoço ou outras partes do corpo.** Procure variar entre posturas adequadas ao longo do dia de trabalho, mantenha os pés bem apoiados e evite posturas desajeitadas e desequilibradas.
- **Movimentos repetitivos no trabalho, posições forçadas e exposição a vibrações podem ser nocivos para as mãos e os braços.** Se perceber dormência, formigamento, dor ou lividez da pele, pare de usar a ferramenta e consulte um médico.
- **Fique atento ao operar a ferramenta em espaços confinados.** Cuidado para não esmagar as mãos entre a ferramenta e a peça de trabalho.
- **Níveis sonoros muito altos podem causar perda auditiva permanente.** Use a proteção auditiva recomendada pelo seu empregador e de acordo com os regulamentos de saúde e segurança ocupacional.
- **Garanta que a peça a ser trabalhada esteja fixada de forma segura.**
- **Proceda com cuidado em ambientes desconhecidos.** Esteja ciente dos perigos potenciais criados pela sua atividade de trabalho. Esta ferramenta não é protegida contra o contato com fontes de eletricidade.

Ferramentas usadas com barra de reação: Nunca ponha a mão próximo à barra de reação enquanto a ferramenta estiver em uso. Fique atento ao sentido de rotação do eixo antes de dar partida à ferramenta. A força de reação em uma sentido inesperado pode acarretar lesões por esmagamento.

Para ferramentas constituídas de embreagem Imediatamente após ajustar a embreagem, verifique se a operação está correta.

Como instalar a proteção no leitor

- **i** É altamente recomendável instalar a proteção fornecida na embalagem para proteger o leitor contra choques e danos.



Deslize a proteção na ferramenta. Puxe-a com força sobre o leitor.

Inserindo a bateria



Inserir a bateria na parte da frente ou atrás da ferramenta até que um som de travamento possa ser ouvido com clareza..

Não há chave Liga/Desliga: a ferramenta está pronta para operar, logo que instalada a bateria.

Os LEDs ficam piscando, quando a ferramenta é energizada.

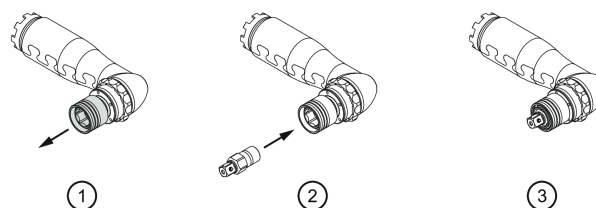
OBSERVAÇÃO Recomendações de uso da bateria
Garanta uma vida útil prolongada para a bateria.

- ▶ Desconecte a bateria quando a ferramenta não estiver em uso.

Não deixe a bateria no carregador quando a alimentação do carregador estiver desligada.

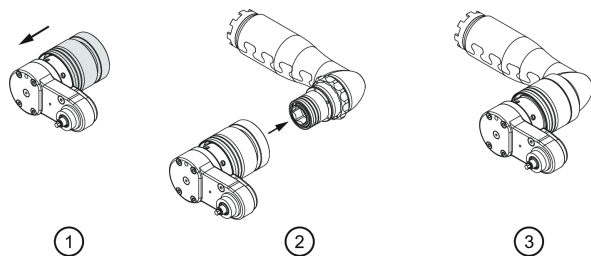
Como conectar acessórios

Soquete



Crowfoot

Safety Information



Conecte um acessório na saída do engate rápido, conforme mostrado, e atribua-lhe um Pset.

Ligando a ferramenta

Instale um soquete adequado na ferramenta.

Selecione o Pset adequado.

Segure a ferramenta pela empunhadura e aplique o fixador a ser apertado.

⚠ AVISO Risco de Ferimentos

À medida que a força da reação aumenta em relação ao torque de aperto de aperto, existe o risco do operador sofrer graves lesões corporais se a ferramenta se comportar de maneira inesperada.

- ▶ A ferramenta deve estar em bom estado de funcionamento e o sistema deve estar corretamente programado.

Pressione o gatilho para colocar a ferramenta em funcionamento.

Como colocar a rotação em reverso



1 Opere o botão Reverso

Pressione este botão.

Os LEDs de cor vermelha e verde piscam alternadamente.

Aplique a ferramenta ao elemento de fixação e pressione o gatilho.

Segurança em Manutenções de Rotina e Manutenções Corretivas

Sempre mantenha o controlador desligado durante a manutenção de rotina, de modo a evitar partidas inesperadas.

A assistência deverá ser realizada somente por pessoal qualificado.

Instruções de Limpeza

Limpe as peças com um pano úmido. Use somente água, não utilize produtos de limpeza que contenham solventes.

Entre em contato com seu técnico de assistência da Desoutter para obter orientações sobre limpeza, conforme as recomendações atuais, e sobre sua ferramenta em especial.

Alertas de segurança para ferramentas elétricas em geral

⚠ **AVISO** Leia todos os avisos de segurança, instruções, ilustrações e especificações fornecidos com a ferramenta elétrica.

Deixar de seguir todas as instruções abaixo pode acarretar em choques elétricos, incêndio e/ou graves lesões.

Salve todos os avisos e instruções para futuras consultas.

O termo "ferramenta elétrica" nos avisos refere-se a suas ferramentas elétricas operadas com a utilização da rede elétrica (com fio) ou ferramentas elétricas operadas à bateria (sem fio).

Segurança da área de trabalho

- **Mantenha a área de trabalho limpa e bem iluminada.** Áreas congestionadas e escuras provocam acidentes.
- **Não opere ferramentas elétricas em atmosferas explosivas, como na presença de líquidos e gases inflamáveis ou poeira.** Ferramentas elétricas geram faíscas que podem causar a ignição de poeira ou vapores.
- **Mantenha crianças e transeuntes afastados ao operar uma ferramenta elétrica.** Distrações podem fazer com que se perca o controle.

Segurança em eletricidade

- **Os plugues de ferramentas elétricas devem ser compatíveis com a tomada. Nunca modifique o plugue de maneira alguma. Não utilize plugues adaptadores em ferramentas elétricas aterradas.** Plugues não modificados e tomadas compatíveis reduzirão o risco de choques elétricos.
- **Evite encostar em superfícies aterradas, como tubos, radiadores, fogões e refrigeradores.** Há um alto risco de choque elétrico se seu corpo estiver aterrado.
- **Não deixe ferramentas elétricas expostas a chuvas ou condições de umidade.** A água que penetra em uma ferramenta elétrica aumentará o risco de choque elétrico.
- **Não utilize o cabo de alimentação de maneira inadequada. Nunca utilize o cabo de alimentação para transportar, puxar ou desconectar da tomada. Mantenha os cabos de alimentação afastados de calor, óleo, quinas vivas ou partes móveis.** Cabos de alimentação danificados aumentam o risco de choques elétricos.
- **Ao operar uma ferramenta elétrica em áreas externas, utilize uma extensão adequada ao uso em áreas descobertas.** O uso de um cabo de alimentação para utilização em áreas descobertas reduz o risco de choque elétrico.
- **Se a operação da ferramenta elétrica em locais úmidos for inevitável, utilize uma alimentação protegida por um disjuntor diferencial residual (DR).** O uso de um DR reduz o risco de choques elétricos.

Segurança pessoal

- **Fique alerta, observe o que está fazendo e use o bom senso ao operar uma ferramenta elétrica. Não utilize uma ferramenta elétrica quando estiver cansado ou sob a influência de drogas, álcool ou medicamentos.** Um instante de desatenção ao operar ferramentas elétricas pode resultar em graves lesões pessoais.

- **Utilize equipamentos de proteção individual. Sempre utilize proteções para os olhos.** Equipamentos de proteção, como máscaras contra poeira, sapatos de segurança antiderrapantes, capacetes e protetores auditivos, se utilizados em condições adequadas, reduzirão lesões pessoais.
- **Evite partidas inesperadas. Certifique-se de que a chave esteja na posição desligada antes de conectá-la a uma fonte de alimentação e/ou bateria, escolhê-la ou transportá-la.** Transportar ferramentas elétricas com o dedo na chave ou energizar ferramentas elétricas com a chave na posição ligada provoca acidentes.
- **Remova todas as chaves de ajuste ou chaves de boca antes de ligar a ferramenta elétrica.** Uma chave de boca ou uma chave de ajuste presa a uma parte rotativa da ferramenta elétrica pode resultar em lesões pessoais.
- **Não estique o corpo. Sempre mantenha os pés bem posicionados e o equilíbrio adequado.** Isso permite um melhor controle da ferramenta elétrica em situações inesperadas.
- **Vista-se de maneira adequada. Não use vestimentas folgadas ou joias. Mantenha o seu cabelo e vestimentas afastados de partes móveis.** Vestimentas folgadas, joias ou cabelos longos podem prender-se a partes móveis.
- **Se forem previstos dispositivos para a conexão de instalações de extração e coleta de poeira, assegure-se de que estejam conectados e sejam utilizados de maneira adequada.** A utilização de coleta de poeira pode reduzir perigos relacionados à poeira.
- **Não deixe que a familiaridade adquirida com a utilização frequente de ferramentas o torne acomodado e o faça ignorar os princípios de segurança da ferramenta.** Um descuido pode provocar lesões graves em uma fração de segundo.
- **Segure a ferramenta elétrica em sua superfície de pega com isolamento, ao realizar uma operação em que o elemento de fixação venha a encostar em fições escondidas ou em seu próprio cabo de alimentação.** Elementos de fixação que entram em contato com uma “linha viva” podem fazer com que partes metálicas expostas da ferramenta elétrica sejam energizadas, o que pode submeter o operador a choques elétricos.

Utilização e cuidados com ferramentas elétricas

- **Não force a ferramenta elétrica. Utilize a ferramenta elétrica correta para a sua aplicação.** A ferramenta elétrica correta realizará a tarefa de uma maneira melhor e mais segura na velocidade para a qual foi projetada.
- **Não utilize a ferramenta elétrica se a chave não estiver ligando e desligando.** Toda ferramenta elétrica que não puder ser controlada com a chave, torna-se perigosa e deve ser reparada.
- **Desconecte o plugue da fonte de alimentação e/ou bateria, se removível, da ferramenta elétrica antes de realizar qualquer ajuste, trocar acessórios ou guardar ferramentas elétricas.** Essas medidas preventivas de segurança reduzem o risco de uma partida acidental da ferramenta elétrica.

- **Guarde ferramentas elétricas paradas fora do alcance de crianças e não deixe pessoas não familiarizadas com ferramentas elétricas ou com essas instruções operarem a ferramenta elétrica.** Ferramentas elétricas são perigosas nas mãos de usuários não treinados.
- **Dê manutenção a ferramentas elétricas e acessórios. Verifique desalinhamentos ou a aderência de partes móveis, quebra de peças ou qualquer outra condição que possa afetar a operação da ferramenta elétrica. Se danificada, repare a ferramenta elétrica antes de utilizá-la.** Muitos acidentes são causados por uma manutenção precária nas ferramentas elétricas.
- **Mantenha ferramentas de corte afiadas e limpas.** Ferramentas de corte mantidas da maneira adequada com fios de corte afiados são menos passíveis de aderência e são mais fáceis de se controlar.
- **Utilize a ferramenta elétrica, acessórios e pontas da ferramenta em conformidade com essas instruções, considerando as condições de trabalho e o trabalho a ser realizado.** A utilização da ferramenta elétrica para operações diferentes daquelas a que foi destinada pode resultar em situações de perigo.
- **Mantenha punhos e superfícies de pega secas, limpas e livres de óleo e graxa.** Punhos e superfícies de pega escorregadios não permitem um manuseio e controle seguros da ferramenta em situações inesperadas.

Utilização e cuidados com ferramentas a bateria

- **Recarregue somente com o carregador especificado pelo fabricante.** Um carregador adequado a um tipo de bateria pode gerar risco de incêndio quando utilizado em outra bateria.
- **Utilize ferramentas elétricas com baterias especificamente designadas.** A utilização de qualquer outra bateria pode gerar riscos de lesões e incêndios.
- **Quando a bateria não estiver em uso, mantenha-a afastada de outros objetos metálicos, como cliques de papel, moedas, chaves, pregos, parafusos e outros objetos metálicos de pequenas dimensões que possam vir a fazer a ligação de um terminal a outro.** Provocar um curto-circuito juntando os terminais da bateria pode causar queimaduras ou um incêndio.
- **Sob condições inadequadas, pode haver ejeção de líquido da bateria. Evite o contato. Se por acidente ocorrer um contato, lave com água corrente. Se o líquido entrar em contato com os olhos, busque também assistência médica.** O líquido ejetado da bateria pode causar irritações ou queimaduras.
- **Não utilize uma bateria ou aparelho danificado ou modificado.** Baterias danificadas ou modificadas podem apresentar comportamentos imprevisíveis, o que pode resultar em incêndio, explosão ou risco de lesões.
- **Não exponha uma bateria ou ferramenta ao fogo ou a temperaturas excessivas.** Exposições a fogo ou a temperaturas acima de 130 °C podem causar explosões.
- **Siga todas as instruções de carregamento e não carregue a bateria ou ferramenta fora da faixa de temperatura especificada nas instruções.** O carregamento

Safety Information

realizado de maneira inadequada ou a temperaturas fora da faixa especificada pode danificar a bateria e aumentar o risco de incêndio.

Assistência técnica

- **A assistência técnica de sua ferramenta elétrica deve ser realizada por pessoa qualificada em reparos, somente com a utilização de peças de reposição idênticas.** Isso irá assegurar que a segurança da ferramenta elétrica será mantida.
- **Nunca realize assistência técnica em baterias danificadas.** A assistência técnica de baterias deve ser realizada pelo fabricante ou por prestadores de assistência técnica autorizados.

Sinalizações e Adesivos

O produto está equipado com sinais e autocolantes contendo informações importantes sobre segurança pessoal e manutenção do produto. Os sinais e autocolantes devem ser sempre fáceis de ler. Novos sinais e autocolantes podem ser encomendados utilizando a lista de peças sobressalentes.



s011050

Informações úteis

Website

Informações referentes a nossos Produtos, Acessórios, Peças de Reposição e Materiais Publicados podem ser encontrados no site da Desoutter .

Visite: www.desouttertools.com.

Informações sobre os manuais de instalação

Instruções detalhadas de operação, manuais de instalação e de atualização encontram-se disponíveis em <https://www.desouttertools.com/resource-centre>.

Informações sobre peças sobressalentes

As vistas expandidas e listas de peças sobressalentes podem ser consultadas no Service Link em www.desouttertools.com.

País de origem

France

Fichas de dados de segurança MSDS/SDS

As Fichas de Informação de Segurança de Produto Químico descrevem os produtos químicos produzidos pela Desoutter.

Consulte o site da Desoutter para obter mais informações <https://www.desouttertools.com/legal/sds>.

Copyright

© Copyright 2022, Ets Georges Renault, 38 rue Bobby Sands, 44818 Saint Herblain, France

Todos os direitos reservados. É proibido o uso ou cópia do conteúdo ou parte dele sem autorização. Isso se aplica em particular a marcas registradas, denominações de modelo, números de peça e desenhos. Use somente peças autorizadas. Qualquer dano ou defeito causado pelo uso de peças não autorizadas não é coberto pela Garantia ou pela Responsabilidade pelo Produto.

Dati tecnici

Dati tecnici

Tensione (V)

36 V

Azionamento di uscita

Modello	Tipo
EABA26-560-QRX	Uscita a sgancio rapido
EABA32-410-QRX	Uscita a sgancio rapido
EABA45-330-QRX	Uscita a sgancio rapido
EABA50-450-QRX	Uscita a sgancio rapido
EABA60-370-QRX	Uscita a sgancio rapido
EABA75-300-QRX	Uscita a sgancio rapido
EABA95-240-QRX	Uscita a sgancio rapido

Gamma della coppia (Nm)

Modello	Min/Nominale/Max
EABA26-560-QRX	5/24/26
EABA32-410-QRX	7/30/32
EABA45-330-QRX	9/40/45
EABA50-450-QRX	9/45/50
EABA60-370-QRX	10/55/60
EABA75-300-QRX	12/70/75
EABA95-240-QRX	19/90/95

Gamma della coppia (ft.lb)

Modello	Min/Nominale/Max
EABA26-560-QRX	1,12/5,40/5,85
EABA32-410-QRX	1,57/6,74/7,19
EABA45-330-QRX	2,02/8,99/10,12
EABA50-450-QRX	2,02/10,12/11,24
EABA60-370-QRX	2,25/12,36/13,49
EABA75-300-QRX	2,70/15,74/16,86
EABA95-240-QRX	4,27/20,23/21,36

Velocità nominale (giri/min)

Modello	
EABA26-560-QRX	560
EABA32-410-QRX	410
EABA45-330-QRX	330
EABA50-450-QRX	450
EABA60-370-QRX	370
EABA75-300-QRX	300
EABA95-240-QRX	240

Peso

Modello	(kg)	(lb)
EABA26-560-QRX	2,04	4,50
EABA32-410-QRX	2,04	4,50
EABA45-330-QRX	2,21	4,87
EABA50-450-QRX	2,49	5,49
EABA60-370-QRX	2,82	6,22
EABA75-300-QRX	3,42	7,54
EABA95-240-QRX	3,46	7,63

i Il peso viene indicato senza batteria.

Condizioni di conservazione e uso

Temperatura di conservazione	Da -20 a 70 °C (da -4 a 158 °F)
Temperatura di esercizio	Da 0 a 45 °C (da 32 a 113 °F)
Umidità di conservazione	0-95% di umidità relativa (senza condensa)
Umidità di funzionamento	0-90 % di umidità relativa (senza condensa)
Altezza massima	2000 m (6562 piedi)
Utilizzabile in ambienti con grado di inquinamento 2	
Solo per uso interno	

Specifiche di comunicazione wireless

RFID 13,56 MHz

Frequenza	13,553 MHz - 13,567 MHz
Campo H	< 42 dBµA/m a 10 m secondo la ETSI EN 300 330 v2.1.1

Dichiarazioni

Responsabilità

Molti eventi nell'ambiente operativo possono influenzare il processo di serraggio e richiedono una convalida dei risultati. Ai sensi delle norme e/o dei regolamenti applicabili, con la presente richiediamo all'utente di verificare la coppia appli-

cata e la direzione di rotazione a seguito di qualsiasi evento che possa influenzare il risultato del serraggio. Esempi di tali eventi includono, senza limitazioni, i seguenti:

- installazione iniziale del sistema di attrezzaggio
- sostituzione del lotto del componente, bullone, lotto della vite, utensile, software, configurazione o ambiente
- sostituzione dei collegamenti pneumatici o elettrici
- variazione nell'ergonomia della linea, nel processo, nelle procedure o nelle pratiche di qualità
- cambio operatore
- qualsiasi altro cambiamento in grado di influenzare il risultato del processo di serraggio

Il controllo deve:

- assicurare che le condizioni del giunto non siano cambiate a seguito dell'influenza di dati eventi.
- essere effettuato dopo l'installazione iniziale, la manutenzione o la riparazione dell'apparecchiatura.
- verificarsi almeno una volta per turno o a un'altra frequenza adeguata.

DICHIARAZIONE DI CONFORMITÀ UE

Ets Georges Renault, 38 rue Bobby Sands, 44818 Saint Herblain, France, dichiara, sotto la propria esclusiva responsabilità, che il prodotto (del tipo e con il numero di serie riportati nella pagina a fronte) è conforme alle seguenti direttive: **2006/42/EC, 2011/65/EU, 2014/53/EU**

Norme armonizzate applicate:

EN 62841-2-2 :2015+AC1 :2015 EN 61000-6-2 :2005 EN 61000-6-3 :2007+A1 :2011 EN 61326-2-3 :2006 EN 301 489-3 V2.1.1 EN 62311 :200


Le autorità possono richiedere informazioni tecniche pertinenti a:

Pascal ROUSSY, R&D Manager, 38 rue Bobby Sands, 44818 Saint Herblain, France

Saint-Herblain, 2021/09/13

Pascal ROUSSY, R&D Manager

Firma del dichiarante



Dichiarazione su vibrazioni e rumorosità

- Livello di potenza sonora < 70 dB (A), incertezza 3 dB (A), secondo EN 62841-2-2 : 2014.
- Valore totale delle vibrazioni < 2.5 m/s², incertezza 3 m/s², secondo EN 62841-2-2 : 2014.

Tali valori dichiarati sono stati ottenuti tramite test di laboratorio in conformità agli standard dichiarati e sono idonei al confronto con i valori dichiarati di altri utensili testati in conformità agli stessi standard. Il livello di emissione delle vibrazioni potrebbe essere usato per la valutazione preliminare dell'esposizione. Tali valori dichiarati non sono adeguati all'uso nelle valutazioni di rischio e i valori misurati in luoghi di lavoro individuali potrebbero essere più elevati. I valori di

Safety Information

esposizione reali e il rischio di danni causati a un utente singolo sono unici e dipendono dal modo in cui l'utente lavora, dal pezzo e dal design del luogo di lavoro, oltre che dal tempo di esposizione e dalla condizione fisica dell'utente.

Ets Georges Renault non può essere ritenuta responsabile per le conseguenze derivanti dall'utilizzo dei valori dichiarati, invece di valori che riflettono l'esposizione effettiva, in una valutazione del rischio individuale in una situazione lavorativa sulla quale Desoutter non ha alcun controllo.

Se non è gestito correttamente, l'utilizzo del presente utensile può causare la sindrome da vibrazioni mano-braccio. Per consultare una guida UE sulle vibrazioni trasmesse a mani/braccia, accedere al sito <http://www.pneurop.eu/index.php> e selezionare 'Strumenti' quindi 'Normative'.

Si raccomanda l'adozione di un programma di controllo sanitario finalizzato a individuare i primi sintomi di un'eventuale esposizione alle vibrazioni, affinché sia possibile modificare le procedure di gestione e aiutare a prevenire disabilità significative.

- i** Se questa apparecchiatura è destinata ad applicazioni di fissaggio:
Le emissioni acustiche sono riportate in qualità di guida per il costruttore. I dati sulle emissioni acustiche e vibrazioni per la macchina completa devono essere riportati nel manuale di istruzioni per la macchina.

WEEE

Informazioni sullo **Smaltimento di apparecchiature elettriche ed elettroniche (WEEE)**:

Questo prodotto e le informazioni a esso correlate sono conformi alla direttiva/alle disposizioni WEEE (2012/19/EU), e pertanto il trattamento del prodotto deve essere effettuato in conformità a tale direttiva/tali disposizioni.

Il prodotto è contrassegnato con il seguente simbolo:



I prodotti contrassegnati con il simbolo di un bidone barrato a ruote e una barra nera sottostante contengono parti da maneggiare in conformità con la direttiva/le disposizioni WEEE. L'intero prodotto o le parti WEEE possono essere spediti presso il nostro "Centro clienti" per lo smaltimento.

Informazioni sull'articolo 33 del REACH

Il Regolamento Europeo (UE) n. 1907/2006 sulla registrazione, valutazione, autorizzazione e restrizione delle sostanze chimiche (REACH) definisce, tra le altre cose, i requisiti relativi alla comunicazione nella catena di approvvigionamento. L'obbligo di informazione vale anche per i prodotti contenenti le cosiddette sostanze estremamente problematiche ("elenco delle sostanze candidate"). Il 27 giugno 2018, il piombo metallico (numero CAS 7439-92-1) è stato aggiunto all'elenco delle sostanze candidate.

In conformità con quanto indicato sopra, determinati componenti elettrici e meccanici del prodotto potrebbero contenere piombo metallico. Ciò è in conformità con la legislazione vigente in materia di restrizione delle sostanze e in linea con le esenzioni legittime nella direttiva RoHS (2011/65/UE). Il piombo non colerà dal prodotto o si modificherà durante il normale utilizzo. La concentrazione di piombo nel prodotto completo è inferiore al limite di soglia applicabile. Valuta i requisiti locali sullo smaltimento del piombo al termine del ciclo di vita del prodotto.

Requisiti regionali

ATTENZIONE

Questo prodotto può causare esposizione a sostanze chimiche tra cui il piombo, note allo stato della California come causa di tumori e difetti congeniti o altri problemi riproduttivi. Per maggiori informazioni consultare <https://www.p65warnings.ca.gov/>

Sicurezza

NON SMALTIRE: DA CONSEGNARE ALL'UTENTE

ATTENZIONE Rispettare sempre le norme ed i regolamenti locali inerenti l'installazione, il funzionamento e la manutenzione.

Dichiarazione sull'utilizzo

- Destinato solo a un utilizzo professionale.
- Questo utensile e i suoi accessori non devono mai essere modificati.
- Non utilizzare questo prodotto se è stato danneggiato.
- Se le targhette indicanti i dati del prodotto o i segnali di pericolo del prodotto diventano illeggibili o si staccano, sostituirli immediatamente.
- Il prodotto deve essere installato, utilizzato e mantenuto solo da personale qualificato e in un ambiente di assemblaggio industriale.

Destinazione d'uso

Il prodotto è progettato per l'installazione e la rimozione di elementi di fissaggio filettati in legno, metallo o plastica. Non sono consentiti altri utilizzi. Solo per utilizzo professionale.

Utilizzare solo le seguenti batterie Desoutter.

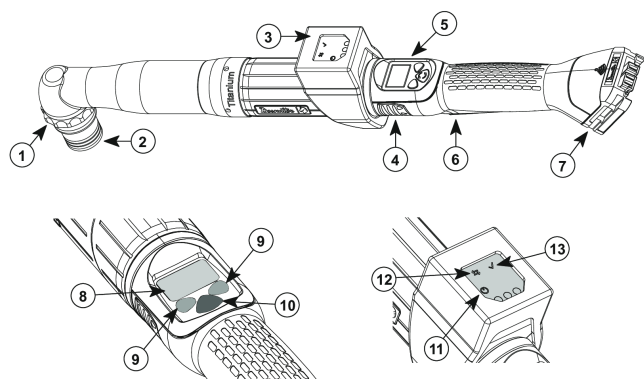
- Batteria agli ioni di litio 18 V 2,5 Ah, numero parte 6158132660
- Batteria agli ioni di litio 36 V 2,5 Ah, numero parte 6158132670

Caricare le batterie **solo** con il caricabatterie Desoutter (6158132700).

Per ottenere istruzioni complete, consultare le istruzioni di sicurezza del caricabatterie (6159925310) e del prodotto disponibili in diverse lingue presso <https://www.desouttertools.com/resource-centre>

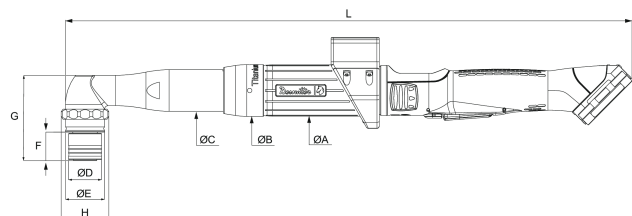
Istruzioni specifiche del prodotto

Descrizione del prodotto



- 1 Adattatore di montaggio per Crowfoot
- 2 Uscita a sgancio rapido
- 3 Lettore QR accessorio
- 4 LED di segnalazione
- 5 Display e pulsanti
- 6 Grilletto
- 7 Ingombro della batteria
- 8 Schermo
- 9 Pulsanti di programmazione
- 10 Pulsante di inversione
- 11 Indicatore dell'accensione dell'accessorio.
- 12 Lettura/scrittura in corso
- 13 Il Pset assegnato è pronto.

Dimensioni (mm)



Modello	L	ØA	ØB
EABA26-560-QRX	496	46	46
EABA32-410-QRX	496	46	46
EABA45-330-QRX	506	46	46
EABA50-450-QRX	546	46	46
EABA60-370-QRX	559	46	58
EABA75-300-QRX	582	46	58
EABA95-240-QRX	582	46	58

Modello	ØC	D	E
EABA26-560-QRX	37	25	28
EABA32-410-QRX	37	25	28
EABA45-330-QRX	37	30	35
EABA50-450-QRX	37	30	35
EABA60-370-QRX	41	33	40

EABA75-300-QRX	49	34	43
EABA95-240-QRX	49	34	43

Modello	F	G	H
EABA26-560-QRX	22	68	35
EABA32-410-QRX	22	68	35
EABA45-330-QRX	25	76	44
EABA50-450-QRX	25	76	44
EABA60-370-QRX	27	85	49
EABA75-300-QRX	28	88	52
EABA95-240-QRX	28	88	52

Norme generali di sicurezza per l'installazione

Per l'installazione rivolgersi esclusivamente a personale qualificato.

Appendere saldamente l'utensile, per esempio usando un bilanciatore. Prima di utilizzare un giogo di sospensione, assicurarsi che sia in buone condizioni ed adeguatamente fissato.

Per utensili con cavo: Collegare sempre il sistema a una presa di terra. Verificare sempre che la spina di alimentazione sia scollegata e che il controller sia disattivato prima di collegare o scollegare il cavo dell'utensile.

Sicurezza operativa generale

- **Per evitare il rischio di impigliamento, non indossare guanti.**
- **Si preveda una forza di reazione, rilevabile quando si utilizza l'utensile.** Tenere l'impugnatura dell'utensile con fermezza e nella direzione opposta alla rotazione del mandrino per ridurre l'effetto dell'improvvisa reazione alla coppia durante il serraggio finale e la svitatura iniziale.
- **Non afferrare mai il meccanismo di rotazione, la bussola o la prolunga.**
- **Gli operatori e gli addetti alla manutenzione devono essere fisicamente in grado di maneggiare la mole, il peso e la potenza erogata dall'utensile.**
- **Se possibile, utilizzare un braccio di sospensione per assorbire la coppia di reazione. In caso contrario, si raccomanda l'utilizzo di impugnature laterali per gli utensili dritti o a pistola, e di barre di reazione per gli avvitadadi ad angolo.** Si raccomanda l'impiego di un mezzo di assorbimento della coppia di reazione superiore a 4 Nm (3 lbf.ft) per gli utensili dritti, superiore a 10 Nm (7,5 lbf.ft) per gli utensili a pistola, e superiore a 60 Nm (44 lbf.ft) per gli avvitadadi ad angolo.
- **I dispositivi di fissaggio a coppia eccessiva o scarsa possono causare gravi lesioni.** Gli assemblaggi che richiedono una determinata coppia devono essere verificati utilizzando un misuratore di coppia. Le cosiddette chiavi torsionometriche a scatto non sono in grado di rilevare condizioni di coppia eccessiva potenzialmente pericolose. Gli elementi di fissaggio a coppia eccessiva o scarsa possono rompersi, allentarsi o separarsi. Le parti staccate possono diventare proiettili.

Safety Information

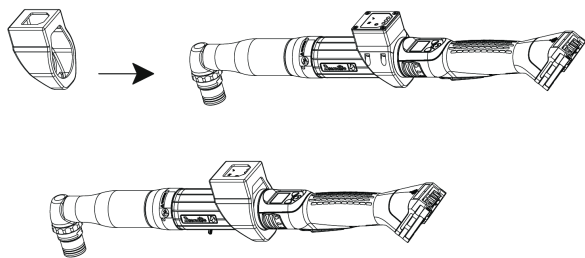
- **Utilizzare esclusivamente bussole elettriche o a impulsi in buone condizioni.** Non utilizzare bussole manuali.
- **Durante l'utilizzo di utensili elettrici, l'operatore può provare dolore localizzato alle mani, agli arti superiori, alle spalle, al collo o in altre parti del corpo.** Durante la giornata lavorativa, cambiare spesso postura, mantenere un appoggio sicuro ed evitare posizioni scomode o sbilanciate.
- **I movimenti ripetitivi sul lavoro, le posizioni scomode e l'esposizione alle vibrazioni possono essere dannosi per le mani e le braccia.** In caso di intorpidimento, formicolio, dolore e sbianchimento della pelle, sospendere l'utilizzo dell'utensile e consultare il medico.
- **Prestare attenzione quando si lavora in spazi ristretti.** Attenzione a non schiacciare le mani tra il pezzo e l'utensile.
- **Livelli di rumorosità eccessiva possono causare perdita dell'udito permanente.** Utilizzare le protezioni acustiche raccomandate dal datore di lavoro o dai regolamenti relativi alla salute e sicurezza sul lavoro.
- **Verificare che il pezzo sia fissato saldamente.**
- **Prestare attenzione in ambienti non conosciuti.** È necessario essere consapevoli dei rischi potenziali causati dal proprio lavoro. L'utensile non è isolato dal rischio di contatto con fonti di energia elettrica.

Utensili utilizzati insieme a una barra di reazione: Non appoggiare o avvicinare mai le mani alla barra di reazione durante l'utilizzo. Prestare attenzione alla direzione di rotazione del mandrino prima di avviare l'utensile, poiché la forza di reazione potrebbe operare in una direzione imprevista, con conseguenti rischi di infortuni da schiacciamento.

Per gli utensili con frizione: Subito dopo aver regolato la frizione, controllare che funzioni correttamente.

Come montare la copertina sul lettore

- ❗ Si consiglia di montare il coperchio fornito nella confezione per proteggere il lettore da urti e danni.



Far scorrere il coperchio sullo strumento.
Spingerlo con forza sul lettore.

Inserimento della batteria



Inserire la batteria sulla parte anteriore o posteriore dell'utensile fino a quando non viene emesso uno scatto.

Non sono presenti interruttori ON/OFF: l'utensile è pronto per funzionare quando viene installata una batteria.

Quando l'utensile è acceso, i LED lampeggiano.

NOTA Consigli di utilizzo per le batterie

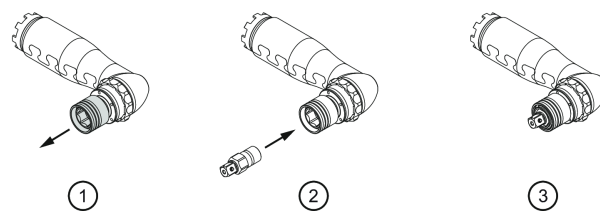
Assicurare una maggiore durata di servizio alla batteria.

- Scollegare la batteria quando l'utensile non è in uso.

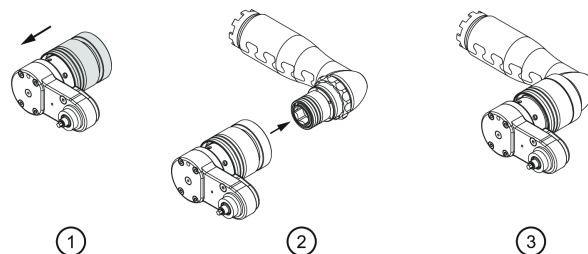
Non lasciare la batteria nel caricatore quando l'alimentazione del caricatore è disattiva.

Collegare gli accessori

Bussola



Crowfoot



Collegare un accessorio all'uscita a sgancio rapido come indicato e assegnare un Pset a esso.

Accensione dell'utensile

Inserire una bussola adatta sull'utensile.

Selezionare il Pset adeguato.

Impugnare l'utensile per la maniglia e applicarlo all'elemento di fissaggio da serrare.

⚠ ATTENZIONE Rischi di infortuni

Poiché la forza di reazione aumenta proporzionalmente alla coppia di serraggio, potrebbero verificarsi gravi infortuni fisici per l'operatore in caso di comportamento imprevisto dell'utensile.

- Verificare che l'utensile sia perfettamente funzionale e il sistema programmato correttamente.

Premere il grilletto per avviare l'utensile.

Come invertire la rotazione



1 Pulsante di avvio all'indietro

Premere il pulsante.

I LED rosso e verde lampeggiano alternativamente.

Applicare l'utensile al dispositivo di fissaggio e premere il grilletto.

Sicurezza di assistenza e manutenzione

Tenere sempre spento il controller durante l'assistenza per evitare un avvio inaspettato.

Per la manutenzione, rivolgersi solo a personale qualificato.

Istruzioni per la pulizia

Pulire le parti con un panno umido. Utilizzare solo acqua e non detergenti contenenti solventi.

Rivolgersi al tecnico di assistenza di Desoutter per le più recenti raccomandazioni per la pulizia del proprio utensile.

Avvisi generali di sicurezza per l'utilizzo di utensili elettrici

⚠ ATTENZIONE Leggere tutte le specifiche, illustrazioni, istruzioni e avvertenze di sicurezza fornite con il presente utensile elettrico.

La mancata osservanza di tutte le istruzioni elencate di seguito può provocare elettrocuzione, incendi e/o lesioni gravi.

Conservare tutti gli avvisi e le istruzioni per consultazioni future.

Il termine "utensile elettrico" indicato nelle avvertenze si riferisce a utensili elettrici alimentati dalla rete elettrica (via cavo) o a batteria (senza fili).

Sicurezza dell'area di lavoro

- **Mantenere l'area di lavoro pulita e ben illuminata.** Le aree poco illuminate o disordinate favoriscono gli incidenti.
- **Non utilizzare utensili elettrici in atmosfere a rischio di esplosione (es. in presenza di liquidi infiammabili, gas o polvere).** Gli utensili elettrici generano scintille che possono incendiare la polvere o i fumi.
- **Tenere lontani i bambini e i passanti durante l'utilizzo di utensili elettrici.** Le distrazioni possono creare incidenti.

Sicurezza elettrica

- **Le spine degli utensili elettrici devono corrispondere alle prese. Non modificare in alcun modo le spine. Non utilizzare adattatori con utensili elettrici con massa (con messa a terra).** Le spine non modificate e corrispondenti alle prese riducono il rischio di elettrocuzione.
- **Evitare il contatto fra corpo e superfici collegate a massa o con messa a terra, come tubi, radiatori, forneli e frigoriferi.** Il contatto fra corpo e massa o messa a terra aumenta il rischio di elettrocuzione.
- **Non esporre gli utensili elettrici a pioggia o acqua.** L'ingresso di acqua negli utensili elettrici aumenta i rischi di elettrocuzione.

- **Non usare il cavo in modo improprio. Non utilizzare mai il cavo per trasportare, tirare o scollegare gli utensili elettrici. Tenere il cavo a distanza da fonti di calore, olio, bordi taglienti o parti in movimento.** I cavi danneggiati o impigliati aumentano il rischio di elettrocuzione.
- **In caso di utilizzo di utensili elettrici all'aperto, servirsi di prolunghe adatte all'uso esterno.** L'uso di cavi adatti all'uso esterno riduce il rischio di elettrocuzione.
- **In caso di utilizzo di utensili elettrici in un luoghi umidi, servirsi di un'alimentazione protetta da dispositivi a corrente residua (RCD).** L'uso di RCD riduce il rischio di elettrocuzione.

Sicurezza personale

- **Prestare attenzione, agire con cautela e seguire il buon senso durante l'utilizzo di utensili elettrici. Non utilizzare utensili elettrici se si è stanchi o sotto l'effetto di droghe, alcol o farmaci.** Un momento di distrazione durante l'utilizzo di utensili elettrici può causare gravi lesioni fisiche.
- **Utilizzare dispositivi di protezione personale. Indossare sempre occhiali protettivi.** I dispositivi di protezione, come ad esempio maschere antipolvere, scarpe antinfortunistiche antiscivolo, elmetti protettivi o cuffie protettive, se utilizzati nelle condizioni opportune, riducono il rischio di lesioni personali.
- **Evitare l'accensione involontaria. Verificare che l'interruttore sia in posizione OFF prima del collegamento all'alimentazione e/o alle batterie, durante il trasporto o il sollevamento dell'utensile.** Il trasporto degli utensili elettrici con le dita sull'interruttore o il collegamento all'alimentazione di utensili elettrici con l'interruttore in posizione ON aumenta il rischio di incidenti.
- **Rimuovere le chiavi di regolazione o le chiavi inglesi prima di accendere l'utensile elettrico.** Una chiave o una chiave inglese rimasta collegata a una parte rotante dell'utensile elettrico può causare lesioni personali.
- **Non esagerare nell'azione. Mantenere sempre il giusto equilibrio e bilanciamento.** Ciò offre un migliore controllo dell'utensile elettrico anche nelle situazioni imprevedute.
- **Vestirsi correttamente. Non indossare abiti larghi o gioielli. Tenere capelli e indumenti a distanza dalle parti in movimento.** Gli abiti larghi, i gioielli o i capelli lunghi potrebbero restare impigliati nelle parti in movimento.
- **Se vengono forniti dispositivi per il collegamento degli impianti di estrazione e raccolta delle polveri, verificare che tali dispositivi vengano collegati e utilizzati correttamente.** La raccolta delle polveri può ridurre i rischi legati alla polvere.
- **La familiarità mutuata attraverso l'uso frequente degli strumenti potrebbe spingere a tralasciare i principi di sicurezza.** Un'azione negligente può causare gravi lesioni in una frazione di secondo.

Safety Information

- **Impugnare l'utensile elettrico sulle superfici isolate durante le operazioni in cui l'accessorio di fissaggio potrebbe entrare in contatto con cavi nascosti o con il proprio cavo.** Gli accessori di fissaggio contenenti un filo sotto tensione potrebbero trasferire tale tensione alle superfici esposte dell'utensile e conferire all'utente una scossa elettrica.

Uso e cura degli utensili elettrici

- **Non forzare l'utensile elettrico. Usare il corretto strumento elettrico per le singole applicazioni.** Usando un utensile elettrico adeguato, sarà possibile completare il lavoro in modo più efficace e sicuro usandolo alla velocità per cui è stato progettato.
- **Non utilizzare un utensile elettrico che non è possibile accendere o spegnere agendo sull'interruttore principale.** Uno strumento elettrico non controllabile attraverso l'interruttore principale è pericoloso e deve essere riparato.
- **Scollegare l'utensile elettrico dalla presa di corrente e/o dalla batteria (se rimovibile) prima di effettuare regolazioni, cambiare gli accessori o conservare l'utensile.** Queste misure di sicurezza preventive riducono il rischio di avvio accidentale dell'utensile.
- **Conservare gli utensili elettrici inutilizzati fuori dalla portata dei bambini e non consentire alle persone prive di esperienza con l'utensile elettrico o con queste istruzioni di azionare tale dispositivo.** Gli utensili elettrici possono diventare oggetti pericolosi nelle mani degli utenti inesperti.
- **Manutenzione degli utensili elettrici e degli accessori.** Controllare l'eventuale disallineamento o inceppamento delle parti in movimento, la rottura dei componenti e qualsiasi altra condizione che potrebbe influire sul funzionamento dell'utensile elettrico. Far riparare un utensile elettrico danneggiato prima dell'uso. Molti incidenti vengono causati dalla scarsa manutenzione degli utensili elettrici.
- **Tenere gli strumenti da taglio ben affilati e puliti.** Gli utensili da taglio ben affilati e sottoposti a una corretta manutenzione si incepperanno meno frequentemente e saranno più semplici da maneggiare.
- **Utilizzare l'utensile elettrico, gli accessori, le punte degli utensili e via dicendo in conformità alle presenti istruzioni, tenendo conto delle condizioni di lavoro e dell'intervento da eseguire.** Adoperando l'utensile elettrico in operazioni diverse da quelle previste potrebbe verificarsi una situazione pericolosa.
- **Mantenere le impugnature e le superfici di presa ben asciutte, pulite e prive di olio e grasso.** Le impugnature e le superfici di presa scivolose non consentono una gestione e un controllo in sicurezza dello strumento nelle situazioni impreviste.

Uso e cura dello strumento a batteria

- **Eseguire ricariche solo usando il caricabatterie indicato dal produttore.** Un caricabatterie adatto a un dato tipo di batteria può causare incendi se utilizzato con un'altra batteria.

- **Utilizzare gli utensili elettrici solo con batterie appositamente progettate.** L'uso di qualsiasi altro tipo di batteria può causare lesioni e incendi.
- **Quando la batteria non è in uso, tenerla a distanza da oggetti metallici come graffette, monete, chiavi, chiodi, viti o altri piccoli oggetti metallici che potrebbero provocare un cortocircuito fra i terminali.** Cortocircuitando i terminali della batteria potrebbero verificarsi ustioni o incendi.
- **In alcune condizioni potrebbe fuoriuscire liquido dalla batteria. Evitare ogni contatto con questo liquido. In caso di contatto accidentale, sciacquare con acqua. In caso di contatto del liquido con gli occhi, consultare un medico.** Il liquido espulso dalla batteria può causare irritazioni o ustioni.
- **Non utilizzare batterie o utensili danneggiati o modificati.** Le batterie danneggiate o modificate possono offrire un comportamento imprevedibile e causare incendi, esplosioni o lesioni.
- **Non esporre la batteria o l'utensile a fiamme vive o temperature eccessive.** L'esposizione al fuoco o a una temperatura superiore a 130 °C potrebbe causare esplosioni.
- **Rispettare tutte le istruzioni di ricarica e non caricare la batteria o l'utensile fuori dall'intervallo di temperatura specificato nelle istruzioni.** Una ricarica impropria o a temperature fuori dall'intervallo specificato potrebbe danneggiare la batteria e aumentare il rischio di incendi.

Assistenza

- **Far riparare l'utensile elettrico a un tecnico qualificato utilizzando solo parti di ricambio identiche a quelle sostituite.** In questo modo è possibile garantire la sicurezza dell'utensile elettrico.
- **Non utilizzare le batterie danneggiate.** Gli interventi di assistenza alla batteria devono essere eseguiti solo dal produttore o da centri assistenza autorizzati.

Segni e adesivi

Il prodotto possiede targhette e adesivi contenenti informazioni importanti sulla sicurezza personale e sulla manutenzione del prodotto. Le targhette e gli adesivi devono essere sempre leggibili. È possibile ordinare nuove targhette e adesivi facendo riferimento alla lista dei ricambi.



s011050

Informazioni utili

Sito web

Il sito web Desoutter offre informazioni su prodotti, accessori, parti di ricambio e pubblicazioni.

Visita: www.desouttertools.com.

Informazioni sui manuali di installazione

Le istruzioni operative dettagliate, i manuali di installazione e aggiornamento sono disponibili all'indirizzo <https://www.desouttertools.com/resource-centre>.

Informazioni sui ricambi

Gli esplosi e le liste dei ricambi sono disponibili in Service Link all'indirizzo www.desouttertools.com.

Paese di origine

France

Schede informative in materia di sicurezza MSDS/SDS

Le schede di sicurezza descrivono i prodotti chimici venduti da Desoutter.

Consultare il sito Web di Desoutter per ulteriori informazioni <https://www.desouttertools.com/legal/sds>.

Copyright

© Copyright 2022, Ets Georges Renault, 38 rue Bobby Sands, 44818 Saint Herblain, France

Tutti i diritti riservati. Qualsiasi utilizzo o copia non autorizzati dei contenuti o di parte di questi è vietato. Ciò vale in particolare per marchi registrati, denominazioni dei modelli, numeri di componente e diagrammi. Utilizzare solo componenti autorizzati. Un eventuale danneggiamento o difetto di funzionamento causato dall'utilizzo di componenti non autorizzati non è coperto dalla garanzia o dalla responsabilità per danni dovuti a prodotti difettosi.

Technische gegevens

Technische gegevens

Spanning (V)

36 V 

Aandrijfkop

Model	Type
EABA26-560-QRX	Snelkoppelingsuitgang
EABA32-410-QRX	Snelkoppelingsuitgang
EABA45-330-QRX	Snelkoppelingsuitgang
EABA50-450-QRX	Snelkoppelingsuitgang
EABA60-370-QRX	Snelkoppelingsuitgang
EABA75-300-QRX	Snelkoppelingsuitgang
EABA95-240-QRX	Snelkoppelingsuitgang

Koppelbereik (Nm)

Model	Min. / Nominaal / Max.
EABA26-560-QRX	5 / 24 / 26
EABA32-410-QRX	7 / 30 / 32
EABA45-330-QRX	9 / 40 / 45
EABA50-450-QRX	9 / 45 / 50
EABA60-370-QRX	10 / 55 / 60
EABA75-300-QRX	12 / 70 / 75
EABA95-240-QRX	19 / 90 / 95

Koppelbereik (ft.lb)

Model	Min. / Nominaal / Max.
EABA26-560-QRX	1,12 / 5,40 / 5,85
EABA32-410-QRX	1,57 / 6,74 / 7,19
EABA45-330-QRX	2,02 / 8,99 / 10,12
EABA50-450-QRX	2,02 / 10,12 / 11,24
EABA60-370-QRX	2,25 / 12,36 / 13,49
EABA75-300-QRX	2,70 / 15,74 / 16,86
EABA95-240-QRX	4,27 / 20,23 / 21,36

Nominale snelheid (rpm)

Model	
EABA26-560-QRX	560
EABA32-410-QRX	410
EABA45-330-QRX	330
EABA50-450-QRX	450
EABA60-370-QRX	370
EABA75-300-QRX	300
EABA95-240-QRX	240

Gewicht

Model	(kg)	(lb)
EABA26-560-QRX	2,04	4,50
EABA32-410-QRX	2,04	4,50
EABA45-330-QRX	2,21	4,87
EABA50-450-QRX	2,49	5,49
EABA60-370-QRX	2,82	6,22
EABA75-300-QRX	3,42	7,54
EABA95-240-QRX	3,46	7,63

 Het vermelde gewicht is zonder de accu.

Opslag- en gebruiksomstandigheden

Temperatuur bij opslag	-20 tot +70 °C (-4 tot +158 °F)
Temperatuur bij gebruik	0 tot 45 °C (32 tot 113 °F)
Luchtvochtigheid bij opslag	0-95% RH (niet-condenserend)

Safety Information

Luchtvochtigheid bij gebruik	0-90 % RH (niet-condenserend)
Hoogte tot	2000 m (6562 voet)
Bruikbaar in een omgeving met vervuilingsgraad 2	
Alleen binnen te gebruiken	

Specificaties draadloze communicatie

RFID 13,56 MHz

Frequentie	13,553 MHz - 13,567 MHz
H-veld	< 42 dB μ A/m op 10 m overeenkomstig ETSI EN 300 330 v2.1.1

Verklaringen

Aansprakelijkheid

In een werkomgeving zijn er veel gebeurtenissen die het vastdraaiproces kunnen beïnvloeden. Het is daarom nodig de resultaten te controleren. In overeenstemming met de geldende normen en/of regelgeving, vragen wij u hierbij om het geïnstalleerde koppel en de draairichting te controleren na elke gebeurtenis die van invloed kan zijn op het vastdraaiproces. Dergelijke gebeurtenissen omvatten, maar zijn niet beperkt tot:

- de eerste installatie van het gereedschapssysteem
- verandering van batch onderdelen, bout, batch schroeven, gereedschap, software, opstelling of omgeving
- verandering van lucht- of elektrische aansluitingen
- verandering van lijnergonomie, proces, kwaliteitsprocedures of gewoonten
- wisseling van bediener
- andere veranderingen die van invloed zijn op het resultaat van het vastdraaiproces

Deze controle moet:

- waarborgen dat de staat van de verbindingen niet veranderd is als gevolg van gebeurtenissen die hierop van invloed kunnen zijn.
- uitgevoerd worden na eerste installatie, onderhoud of reparatie van de uitrusting.
- minimaal eenmaal per dienst of met een andere geschikte frequentie worden uitgevoerd.

EU-CONFORMITEITSVERKLARING

Wij, **Ets Georges Renault**, 38 rue Bobby Sands, 44818 Saint Herblain, France verklaren dat het product (met naam, type- en serienummer, zie voorpagina) in overeenstemming is met de volgende richtlijn(en):

2006/42/EG, 2011/65/EU, 2014/53/EU

Toegepaste geharmoniseerde normen:

EN 62841-2-2 :2015+AC1 :2015 EN 61000-6-2 :2005 EN 61000-6-3 :2007+A1 :2011 EN 61326-2-3 :2006 EN 301 489-3 V2.1.1 EN 62311 :200

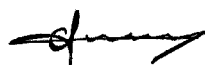
Autoriteiten kunnen relevante technische informatie opvragen van:

Pascal ROUSSY, R&D Manager, 38 rue Bobby Sands, 44818 Saint Herblain, France

Saint-Herblain, 13-09-2021

Pascal ROUSSY, R&D Manager

Handtekening van de opsteller



Verklaring geluid & trilling

- Geluidsvermogensniveau < 70 dB(A), onzekerheid 3 dB(A), overeenkomstig EN 62841-2-2 : 2014.
- Totale trillingswaarde < 2.5 m/s², onzekerheid 3 m/s², overeenkomstig EN 62841-2-2 : 2014.

Deze aangegeven waarden zijn verkregen door middel van laboratoriumtests volgens de opgegeven normen en zijn geschikt voor vergelijking met de aangegeven waarden van andere gereedschappen die volgens dezelfde normen zijn getest. Het trillingsemissieniveau kan worden gebruikt voor een voorlopige evaluatie van de blootstelling. Deze aangegeven waarden zijn niet geschikt voor gebruik in risicobeoordelingen. Waardes op individuele werkplekken kunnen hoger zijn. De werkelijke blootstellingswaarden en het risico van schade die een individuele gebruiker ondervindt zijn uniek en hangen af van de manier waarop de gebruiker werkt, van het werkstuk en van het ontwerp van het werkstation, alsook van de blootstellingstijd en de fysieke conditie van de gebruiker.

Wij, **Ets Georges Renault**, zijn niet aansprakelijk voor de gevolgen van het gebruik van de weergegeven waarden, in plaats van de waarden die passen bij de werkelijke blootstelling, zoals bepaald via een afzonderlijke risicobeoordeling en in een werksituatie waarover wij geen controle hebben

Indien dit gereedschap niet naar behoren wordt gebruikt, kan dit het hand-arm vibratiesyndroom veroorzaken. Een EU-richtlijn voor hand-armtrillingen vindt u op <http://www.pneurop.eu/index.php>. Selecteer 'Gereedschappen' en daarna 'Wetgeving'.

Wij adviseren een gezondheidscontrole op te zetten om al in een vroegstadium symptomen te kunnen waarnemen die gerelateerd zouden kunnen zijn aan blootstellingen aan trillingen, zodat managementprocedures aangepast kunnen worden om toekomstig letsel te voorkomen.

- ⓘ Als deze apparatuur is bedoeld voor vaste toepassingen: De geluidsuitstoot wordt als richtlijn voor de machinebouwer verstrekt. Gegevens m.b.t. geluids- en trillingsuitstoot voor de gehele machine staan in het instructiehandboek voor de machine.

WEEE

Informatie betreffende **Waste of Electrical and Electronic Equipment** (WEEE):

Dit product en de daarbij behorende informatie, voldoen aan de WEEE-richtlijn/-regelgeving (2012/19/EU). Het product dient te worden behandeld conform de richtlijn/regelgeving.

Het product is gemarkeerd met het volgende symbool:



Producten gemarkeerd met een doorgekruist containersymbool en één zwarte streep eronder bevatten onderdelen die moeten worden behandeld volgens de WEEE-richtlijn/-regelgeving. Het volledige product, of de WEEE-onderdelen, kunnen voor behandeling naar uw "Customer Center" worden gestuurd.

Informatie betreffende artikel 33 van REACH

De Europese Verordening (EU) nr. 1907/2006 inzake de registratie en beoordeling van en de autorisatie en beperkingen ten aanzien van chemische stoffen (REACH) stelt onder andere eisen met betrekking tot de communicatie in de toeleveringsketen. De informatievereiste geldt ook voor producten die zogenaamde zeer risicovolle stoffen bevatten (de 'kandidaatslijst'). Op 27 juni 2018 werd loodmetaal (CAS-nr. 7439-92-1) toegevoegd aan de kandidaatslijst.

In overeenstemming met het bovenstaande, is deze mededeling bedoeld om u te informeren dat bepaalde elektrische en mechanische componenten in het product loodmetaal kunnen bevatten. Dit is in overeenstemming met de huidige wetgeving inzake de beperking van stoffen en gebaseerd op rechtmatige uitzonderingen in de RoHS-Richtlijn (2011/65/EU). Loodmetaal lekt niet uit het product en muteert niet bij normaal gebruik en de concentratie van loodmetaal in het volledige product is ver onder de geldende drempel. Volg de lokale voorschriften bij het verwijderen van lood aan het einde van de levensduur van het product.

Regionale vereisten

⚠ WAARSCHUWING

Dit product kan u blootstellen aan chemicaliën, waaronder lood. Dit is een stof waarvan de Californische overheid weet dat deze kanker, aangeboren afwijkingen en vruchtbaarheidsproblemen veroorzaakt. Ga voor meer informatie naar

<https://www.p65warnings.ca.gov/>

Veiligheid

NIET WEGGOOIEN - AAN DE GEBRUIKER GEVEN

⚠ **WAARSCHUWING** Alle plaatselijke wettige veiligheidsregels betreffende installatie, bediening en onderhoud moeten altijd in acht worden genomen.

Gebruiksverklaring

- Uitsluitend voor professioneel gebruik.
- Dit product en de accessoires mogen niet gemodificeerd worden.
- Gebruik dit product niet indien het beschadigd is.
- Indien de productgegevens of de gevarenwaarschuwingen op het product onleesbaar zijn of losraken, vervang ze dan onmiddellijk.
- Het product mag uitsluitend worden geïnstalleerd, gebruikt en onderhouden door bevoegde personeel in een industriële assemblage-omgeving.

Beoogd gebruik

Dit product is ontworpen voor het installeren en verwijderen van schroefdraadverbindingen in hout, metaal of plastic. Ander gebruik is niet toegestaan. Uitsluitend voor professioneel gebruik.

Gebruik alleen de volgende Desoutter-batterijen.

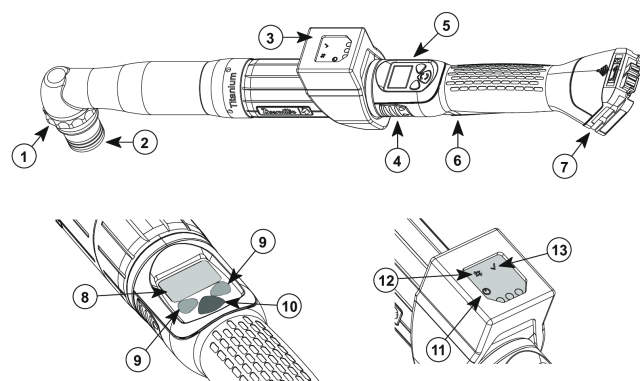
- Batterij 18 V 2.5 Ah, onderdeelnummer 6158132660
- Batterij 36 V 2.5 Ah, onderdeelnummer 6158132670

Batterijen moeten worden opgeladen met de Desoutter-oplader (6158132700) **only**.

Zie voor de volledige instructies de veiligheidsinstructies van de oplader (6159925310) en de productinstructies die in meerdere talen beschikbaar zijn op <https://www.desouttertools.com/resource-centre>

Productspecifieke instructies

Productbeschrijving



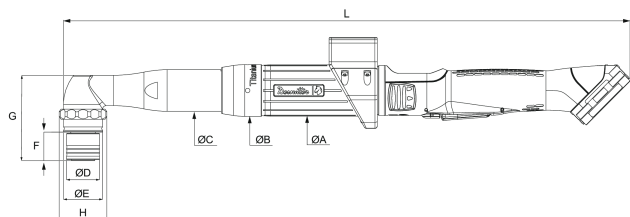
- | | |
|----|-----------------------------------------------------------|
| 1 | Bevestigingsadapter voor Crowfoot |
| 2 | Snelspanneruitgang |
| 3 | QR-accessoirelezer |
| 4 | Meldings-leds |
| 5 | Scherm en knoppen |
| 6 | Trekker |
| 7 | Batterijhouder |
| 8 | Scherm |
| 9 | Programmeerknoppen |
| 10 | Omkeerknop |
| 11 | Indicator die aangeeft dat de accessoire is ingeschakeld. |

Safety Information

12 Lezen/schrijven wordt uitgevoerd

13 De toegewezen Pset is gereed.

Afmetingen (mm)



Model	L	ØA	ØB
EABA26-560-QRX	496	46	46
EABA32-410-QRX	496	46	46
EABA45-330-QRX	506	46	46
EABA50-450-QRX	546	46	46
EABA60-370-QRX	559	46	58
EABA75-300-QRX	582	46	58
EABA95-240-QRX	582	46	58

Model	ØC	D	E
EABA26-560-QRX	37	25	28
EABA32-410-QRX	37	25	28
EABA45-330-QRX	37	30	35
EABA50-450-QRX	37	30	35
EABA60-370-QRX	41	33	40
EABA75-300-QRX	49	34	43
EABA95-240-QRX	49	34	43

Model	F	G	H
EABA26-560-QRX	22	68	35
EABA32-410-QRX	22	68	35
EABA45-330-QRX	25	76	44
EABA50-450-QRX	25	76	44
EABA60-370-QRX	27	85	49
EABA75-300-QRX	28	88	52
EABA95-240-QRX	28	88	52

Algemene veiligheidsregels m.b.t. Installatie

Laat installatie uitsluitend uitvoeren door bevoegd personeel.

Hang het gereedschap stevig op, bijvoorbeeld aan een stabilisator. Blijf met handen, lang haar en losse kleding van de draaiende dop verwijderd.

Gereedschap met netsnoer: Dit systeem moet op een geaard stopcontact worden aangesloten. Zorg dat de stekker van de netkabel altijd uit het stopcontact wordt verwijderd en de controller uitgeschakeld wordt alvorens de kabel van het gereedschap aan te sluiten of uit het stopcontact te verwijderen.

Algemene veiligheidsregels m.b.t. gebruik

- **Draag geen handschoenen, wegens risico op beknellen.**
- **Let op voor de reactiekracht die zal optreden bij het gebruik van het gereedschap.** Zorg altijd voor voldoende steun voor de handgreep van het gereedschap, in tegenovergestelde richting van de spilrotatie, om het effect te reduceren van plotselinge torsiereactie gedurende het laatste aandraaien en het aanvankelijke losdraaien.
- **Houd de aandrijving, de krachtdop of de uitbreiding nooit in uw handen.**
- **Gebruikers en onderhoudspersoneel moet lichamelijk in staat zijn om met de omvang, het gewicht en de kracht van dit apparaat om te kunnen gaan.**
- **Gebruik indien mogelijk een hanger om een reactiekoppel te absorberen. Als dit niet mogelijk is, wordt het gebruik van handgrepen aan de zijkant aanbevolen voor gereedschap met rechte- en pistoolhandgrepen; reactiestangen zijn aanbevolen voor gebogen moeraanzetters.** Het is aanbevolen een koppelreactie boven 4 Nm te absorberen voor rechte gereedschappen, boven 10 Nm voor gereedschappen met pistoolhandgreep en boven 60 Nm voor gebogen moeraanzetters.
- **Bevestigingsmiddelen met een te hoog of te laag koppel kunnen ernstig letsel veroorzaken.** Controleer montages die een bepaald koppel eisen met een koppelmeter. Zogenaamde 'klik'-momentsleutels controleren niet op potentieel gevaarlijk hoge koppelwaarden. Bevestigingsmiddelen met een te hoog of te laag koppel kunnen breken of losraken. Losgeraakte montages kunnen wegschieten.
- **Gebruik uitsluitend elektrische of luchtsleutels die in goede staat verkeren.** Gebruik geen handsleutels.
- **Tijdens het gebruik van elektrisch gereedschap, ervaart de bediener mogelijk een onprettig gevoel in de handen, armen, schouders, nek of andere lichaamsdelen.** Wissel regelmatig van houding gedurende de werkdag en zorg dat u stevig staat. Neem geen vreemde houdingen aan en zorg dat u in balans blijft.
- **Repeterende bewegingen, een slechte houding en blootstelling aan trillingen kunnen schade aan handen en armen toebrengen.** Indien u gevoelloosheid, tintelingen of het wit wegtrekken van de huid waarneemt, dient u het gereedschap uit te schakelen en contact met een arts op te nemen.
- **Wees voorzichtig bij het werken in kleine ruimtes.** Zorg dat uw handen niet bekneld raken tussen het gereedschap en het project waaraan u werkt.
- **Harde geluiden kunnen leiden tot permanente gehoorbeschadiging.** Gebruik oorbeschermers die worden aangeraden door uw werkgever of in de reglementen voor welzijn en veiligheid op de werkvloer.
- **Zorg ervoor dat elk project waaraan u werkt goed is bevestigd.**
- **Wees voorzichtig wanneer u zich op onbekend terrein bevindt.** Zorg dat u zich bewust bent van de potentiële gevaren van uw werkzaamheden. Dit gereedschap is niet geïsoleerd tegen contact met elektrische stroombronnen.

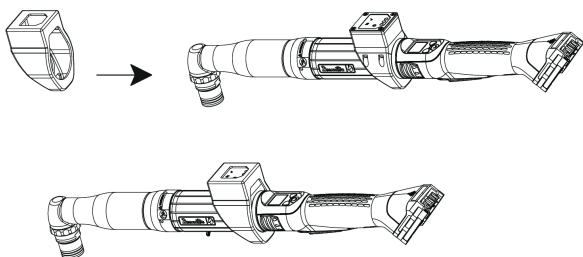
Gereedschap dat wordt gebruikt met een reactiestang:

Plaats uw hand nooit op of dicht tegen de reactiestang tijdens het gebruik van het gereedschap. Controleer de draairichting van de as alvorens het gereedschap in te schakelen. Als de reactiekracht in een onverwachte richting moet worden opgevangen kan dit leiden tot bekneld raken van de handen.

Bij gereedschap met een koppeling: Controleer meteen na het afstellen van de koppeling of het gereedschap correct werkt.

Monteren van de kap op de lezer

- ① Het wordt ten zeerste aanbevolen om de in de verpakking meegeleverde kap te monteren om de lezer te beschermen tegen schokken en beschadigingen.



Schuif de kap op het gereedschap. Duw hem krachtig over de lezer.

Plaatsen van de batterij



Plaats de batterij voor of achter het gereedschap tot er een duidelijke klik wordt gehoord.

Er is geen aan/uit-schakelaar: het gereedschap is klaar voor gebruik zodra een batterij is geplaatst.

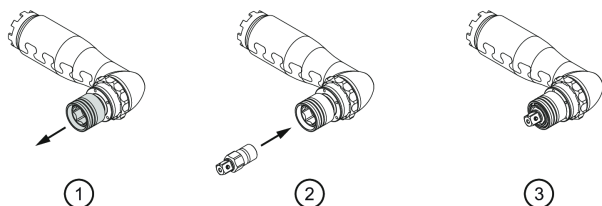
Wanneer het gereedschap is ingeschakeld, knipperen de leds. **KENNISGEVING** Gebruiksaanbevelingen voor batterijen. Zorg voor een lange levensduur van de batterij.

- Koppel de batterij af wanneer het gereedschap niet wordt gebruikt.

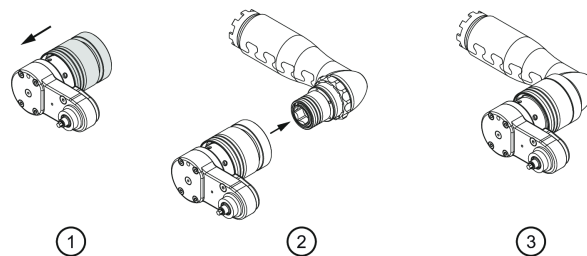
Laat de batterij niet op de oplader wanneer de stroomtoevoer van de oplader is uitgeschakeld.

Koppelen van accessoires

Aansluiting



Crowfoot



Steek een accessoire in de snelspanneruitgang zoals is aangegeven en wijs er een Pset aan toe.

Starten van het gereedschap

Zet een geschikte dop op het gereedschap.

Selecteer de overeenkomstige Pset.

Houd het gereedschap vast aan de handgreep en zet het op de te bevestigen moer.

⚠ WAARSCHUWING Risico op letsel

Naarmate de reactiekracht toeneemt in verhouding tot het aandraaimoment, is er een risico op ernstig lichamelijk letsel als gevolg van onverwacht gedrag van het gereedschap.

- Zorg dat het gereedschap in perfecte werkende staat is en dat het systeem juist is geprogrammeerd.

Druk op de trekker om het gereedschap te starten.

Draairichting omkeren



- 1 Druk op de omkeerknop.

Druk op deze knop.

De rode en groene leds knipperen afwisselend.

Zet het gereedschap op de moer en druk op de trekker.

Algemene veiligheidsregels m.b.t. service en onderhoud

Zorg dat de controller altijd is uitgeschakeld om onverwacht starten te voorkomen.

Laat onderhoud uitsluitend uitvoeren door bevoegd personeel.

Reinigingsinstructies

Reinig onderdelen met een vochtige doek. Gebruik alleen water, er mogen geen oplosmiddelen worden gebruikt.

Neem contact op met uw Desoutter-servicetechnicus voor reinigingsadvies volgens de actuele aanbevelingen en voor uw specifieke gereedschap.

Algemene veiligheidsinstructies voor elektrisch gereedschap

⚠ WAARSCHUWING Lees alle veiligheids waarschuwingen, instructies, illustraties en specificaties die met dit gereedschap worden meegeleverd.

Het niet opvolgen van alle onderstaande instructies kan tot elektrische schokken, brand en/of ernstig letsel leiden.

Bewaar alle waarschuwingen en instructies voor toekomstige naslag.

De term 'elektrisch gereedschap' in de waarschuwingen verwijst naar uw gereedschap op netstroom (snoer) of gereedschap op batterij (snoerloos).

Veiligheid op de werkplek

- **Zorg dat uw werkplek schoon en goed verlicht is.** Rommelige of donkere plekken zorgen voor ongelukken.
- **Gebruik elektrisch gereedschap niet in explosiegevaarlijke atmosferen, zoals bij aanwezigheid van ontvlambare vloeistoffen, gassen of stof.** Elektrisch gereedschap produceert vonken die het stof of de dampen kunnen ontsteken.
- **Houd kinderen en omstanders uit de buurt wanneer elektrisch gereedschap wordt gebruikt.** Afleidingen kunnen ertoe leiden dat u de controle verliest.

Elektrische veiligheid

- **Stekkers van elektrisch gereedschap moeten overeenkomen met het stopcontact. Pas de stekker nooit aan op welke wijze dan ook. Gebruik geen adapterstekkers bij geaard elektrisch gereedschap.** Ongewijzigde stekkers en overeenkomstige stopcontacten verminderen het risico op elektrische schokken.
- **Voorkom lichaamscontact met geaarde oppervlakken zoals leidingen, radiatoren, fornuizen en koelkasten.** Er is een verhoogd risico op elektrische schokken als uw lichaam geaard is.
- **Stel elektrisch gereedschap niet bloot aan regen of natte omstandigheden.** Water in elektrisch gereedschap vergroot het risico op elektrische schokken.
- **Misbruik het snoer niet. Gebruik het snoer nooit om het gereedschap te dragen, trekken of afkoppelen. Houd het snoer uit de buurt van hitte, olie, scherpe randen en bewegende delen.** Beschadigde of verstrikte snoeren vergroten het risico op elektrische schokken.
- **Gebruik bij buitengebruik van elektrisch gereedschap een verlengsnoer geschikt voor buitengebruik.** Het gebruik van een snoer geschikt voor buitengebruik vermindert het risico op elektrische schokken.
- **Als gebruik van elektrisch gereedschap op een vochtige locatie niet te vermijden is, gebruik dan een middels een aardlekschakelaar beveiligde stroomtoevoer.** Het gebruik van een aardlekschakelaar vermindert het risico op elektrische schokken.

Persoonlijke veiligheid

- **Blijf waakzaam, let op wat u doet en gebruik gezond verstand bij het gebruik van elektrisch gereedschap. Gebruik elektrisch gereedschap niet als u moe of onder de invloed van alcohol, drugs of medicijnen bent.**

Een moment van onoplettendheid bij gebruik van elektrisch gereedschap kan tot ernstig persoonlijk letsel leiden.

- **Gebruik persoonlijke beschermingsmiddelen. Draag altijd oogbescherming.** Passende beschermingsmiddelen zoals een stofmasker, veiligheidsschoenen met antislipzool, helm of gehoorbescherming verminderen het risico op persoonlijk letsel.
- **Voorkom onbedoeld starten. Zorg dat de schakelaar in de uitstand staat voordat u het gereedschap opkapt, draagt of aansluit op een stroombron of batterij.** Het dragen van elektrisch gereedschap met uw vinger op de schakelaar of het aansluiten van gereedschap waarvan de schakelaar is ingeschakeld, zorgt voor ongelukken.
- **Verwijder stelsleutels voordat u het elektrisch gereedschap inschakelt.** Een sleutel die nog aan een draaiend onderdeel van het elektrisch gereedschap zit, kan tot persoonlijk letsel leiden.
- **Reik niet buiten uw macht. Zorgt dat u altijd goed staat en in balans bent.** Dit geeft u een betere controle over het elektrisch gereedschap in onverwachte situaties.
- **Draag passende kleding. Draag geen losse kleding of sieraden. Houd uw haar en kleding weg van bewegende delen.** Losse kleding, sieraden en lang haar kunnen verstrikt raken in bewegende delen.
- **Indien voorzieningen aanwezig zijn voor het aansluiten van stofafvoer en -opvang, zorg dan dat deze zijn aangesloten en juist worden gebruikt.** Het gebruik van een stofopvang kan stofgerelateerde gevaren verminderen.
- **Laat uw bekendheid met het gereedschap door frequent gebruik ervan niet ertoe leiden dat u zelfgenoegzaam wordt en de beginselen van gereedschapsveiligheid negeert.** Een onachtzame actie kan ernstig letsel veroorzaken in een fractie van een seconde.
- **Houd het gereedschap vast aan de geïsoleerde handgrepen bij het uitvoeren van werkzaamheden, aangezien de moer in contact kan komen met een verborgen, bekrachtigde elektriciteitsdraad of het snoer van de machine zelf.** Contact met een bekrachtigde elektriciteitsdraad kan blootliggende metalen onderdelen van het apparaat onder stroom zetten en stroomschokken veroorzaken.

Gebruik van en zorg voor het elektrische gereedschap

- **Forceer het gereedschap niet. Gebruik het juiste gereedschap voor uw toepassing.** Het juiste gereedschap voert de taak beter en veiliger uit met de snelheid waarvoor het is ontworpen.
- **Gebruik het gereedschap niet als de schakelaar het niet in- en uitschakelt.** Elektrisch gereedschap dat niet kan worden geregeld met de schakelaar is gevaarlijk en moet worden gerepareerd.
- **Koppel de stekker af van de stroombron en/of verwijder de batterij van het gereedschap, als deze verwijderbaar is, voordat u aanpassingen doet, accessoires wisselt of elektrisch gereedschap opbergt.** Dergelijke

preventieve veiligheidsmaatregelen verminderen het risico op het onbedoeld starten van het elektrische gereedschap.

- **Berg ongebruikt elektrisch gereedschap op buiten bereik van kinderen en laat personen die onbekend zijn met het gereedschap of deze instructies het gereedschap niet gebruiken.** Elektrisch gereedschap is gevaarlijk in de handen van ongeoefende gebruikers.
- **Onderhoud elektrisch gereedschap en accessoires. Controleer op een onjuiste uitlijning of vastlopen van bewegende delen, kapotte onderdelen en andere omstandigheden die de werking van het elektrisch gereedschap kunnen beïnvloeden. Als het elektrisch gereedschap beschadigd is, laat het dan repareren voordat u het gebruikt.** Vele ongelukken worden veroorzaakt door slecht onderhouden elektrisch gereedschap.
- **Houd snijgereedschap scherp en schoon.** Goed onderhouden snijgereedschap met scherpe snijranden lopen minder snel vast en zijn eenvoudiger te beheersen.
- **Gebruik het elektrisch gereedschap, accessoires, bits, enz. volgens deze instructies en houd daarbij rekening met de werkomstandigheden en het uit te voeren werk.** Gebruik van het elektrisch gereedschap voor andere dan de beoogde doeleinden kan tot gevaarlijke situaties leiden.
- **Houd handgrepen en gripoppervlakken droog, schoon en vrij van olie en vet.** Gladde handgrepen en gripoppervlakken zorgen niet voor een veilige hantering en controle van het gereedschap in onverwachte omstandigheden.

Gebruik van en zorg voor de batterij

- **Laad de batterij alleen op met de door de fabrikant aangegeven oplader.** Een oplader geschikt voor een bepaald type batterij kan een risico op brand opleveren wanneer deze bij een andere batterij wordt gebruikt.
- **Gebruik elektrisch gereedschap alleen met speciaal daarvoor bestemde batterijen.** Het gebruik van andere batterijen kan een risico op letsel en brand opleveren.
- **Wanneer een batterij niet wordt gebruikt, houd deze dan uit de buurt van metalen voorwerpen zoals paperclips, munten, sleutels, spijkers, schroeven of andere kleine metalen voorwerpen die een verbinding tussen de polen kunnen maken.** Het kortsluiten van de batterijpolen kan brandwonden of brand veroorzaken.
- **Bij onjuist gebruik kan vloeistof uit de batterij worden gestoten; vermijd contact daarmee. Bij onbedoeld contact spoelen met water. Bij contact van de vloeistof met de ogen medische hulp inschakelen.** Vloeistof die uit de batterij wordt gestoten kan irritatie en brandwonden veroorzaken.
- **Gebruik geen beschadigde of gewijzigde batterijen of gereedschap.** Beschadigde of gewijzigde batterijen kunnen onvoorspelbaar gedrag vertonen, wat tot brand, ontploffing of risico op letsel kan leiden.
- **Stel een batterij of gereedschap niet bloot aan vuur of extreme temperaturen.** Blootstelling aan vuur of temperaturen hoger dan 130 °C kan een ontploffing veroorzaken.

- **Volg alle oplaadinstructies en laad de batterij of het gereedschap niet op buiten het in de instructies aangegeven temperatuurbereik.** Het onjuist of bij temperaturen buiten het aangegeven bereik opladen kan de batterij beschadigen en het risico op brand vergroten.

Onderhoud

- **Laat uw elektrisch gereedschap onderhouden door een gekwalificeerde reparateur met uitsluitend identieke vervangende onderdelen.** Dit zorgt ervoor dat de veiligheid van het elektrische gereedschap behouden blijft.
- **Voer nooit onderhoud uit aan beschadigde batterijen.** Onderhoud van batterijen dient uitsluitend door de fabrikant of erkende dienstverleners te worden uitgevoerd.

Aanduidingen en stickers

Het product is voorzien van aanduidingen en stickers waarop u belangrijke informatie vindt over persoonlijke veiligheid en productonderhoud. De aanduidingen en stickers zijn altijd goed leesbaar. Nieuwe aanduidingen en stickers kunnen via de lijst met reserveonderdelen worden besteld.



s011050

Nuttige informatie

Website

Informatie betreffende onze producten, accessoires, reserveonderdelen en puclaties is te vinden op de website van Desoutter.

Ga naar: www.desouttertools.com.

Informatie over installatiehandleidingen

Gedetailleerde gebruiksinstructies en installatie- en upgrade-handleidingen zijn beschikbaar op <https://www.desouttertools.com/resource-centre>.

Informatie over reserveonderdelen

Detailoverzichten en lijsten met reserveonderdelen zijn beschikbaar in Service Link op www.desouttertools.com.

Land van oorsprong

France

Veiligheidsgegevensbladen MSDS/SDS

De veiligheidsinformatiebladen beschrijven de chemische producten verkocht door Desoutter.

Raadpleeg de Desoutter-website voor meer informatie <https://www.desouttertools.com/legal/sds>.

Safety Information

Copyright

© Copyright 2022, Ets Georges Renault, 38 rue Bobby Sands, 44818 Saint Herblain, France

Alle rechten voorbehouden. Onrechtmatig gebruik of het kopiëren van de inhoud of een deel hiervan is verboden. Dit is met name van toepassing op handelsmerken, modelnamen, onderdeelnummers en tekeningen. Gebruik uitsluitend onderdelen van Atlas Copco. Schade of defecten als gevolg van het gebruik van onderdelen van derden vallen niet onder de garantie.

Tekniske data

Tekniske data

Spænding (V)

36 V 

Udgangsdrev

Model	Type
EABA26-560-QRX	Hurtigudløsningseffekt
EABA32-410-QRX	Hurtigudløsningseffekt
EABA45-330-QRX	Hurtigudløsningseffekt
EABA50-450-QRX	Hurtigudløsningseffekt
EABA60-370-QRX	Hurtigudløsningseffekt
EABA75-300-QRX	Hurtigudløsningseffekt
EABA95-240-QRX	Hurtigudløsningseffekt

Momentområde (Nm)

Model	Min. / Nominel / Maks.
EABA26-560-QRX	5 / 24 / 26
EABA32-410-QRX	7 / 30 / 32
EABA45-330-QRX	9 / 40 / 45
EABA50-450-QRX	9 / 45 / 50
EABA60-370-QRX	10 / 55 / 60
EABA75-300-QRX	12 / 70 / 75
EABA95-240-QRX	19 / 90 / 95

Momentområde (ft.lb)

Model	Min. / Nominel / Maks.
EABA26-560-QRX	1,12 / 5,40 / 5,85
EABA32-410-QRX	1,57 / 6,74 / 7,19
EABA45-330-QRX	2,02 / 8,99 / 10,12
EABA50-450-QRX	2,02 / 10,12 / 11,24
EABA60-370-QRX	2,25 / 12,36 / 13,49
EABA75-300-QRX	2,70 / 15,74 / 16,86
EABA95-240-QRX	4,27 / 20,23 / 21,36

Nominel hastighed (omdr./min)

Model	
EABA26-560-QRX	560
EABA32-410-QRX	410
EABA45-330-QRX	330
EABA50-450-QRX	450
EABA60-370-QRX	370
EABA75-300-QRX	300
EABA95-240-QRX	240

Vægt

Model	(kg)	(pund)
EABA26-560-QRX	2,04	4,50
EABA32-410-QRX	2,04	4,50
EABA45-330-QRX	2,21	4,87
EABA50-450-QRX	2,49	5,49
EABA60-370-QRX	2,82	6,22
EABA75-300-QRX	3,42	7,54
EABA95-240-QRX	3,46	7,63

 Vægten er angivet uden batteripakken.

Opbevaring og brug

Opbevaringstemperatur	-20 til +70 °C (-4 til +158 F)
Driftstemperatur	0 til 45 °C (32 til 113 F)
Opbevaringsfugtighed	0-95 % RH (ikke-kondenserende)
Driftsfugtighed	0-90 % RH (ikke-kondenserende)
Højde op til	2000 m (6562 fod)
Anvendelig i Forureningsgrad 2-miljø	
Kun til indendørs brug	

Specifikationer for trådløs kommunikation

RFID 13,56 MHz

Frekvens	13,553 MHz - 13,567 MHz
H-felt	< 42 dBµA/m ved 10 m i henhold til ETSI EN 300 330 v2.1.1

Erklæringer

Ansvar

Mange hændelser i driftsmiljøet kan indvirke på tilspændingsprocessen og fordrer en validering af resultaterne. I overensstemmelse med gældende standarder og/eller forordninger beder vi dig om at kontrollere det monterede drej-

ingsmoment samt rotationsretningen efter enhver hændelse, der kan indvirke på tilspændingsresultatet. Eksempler på sådanne hændelser omfatter, men er ikke begrænset til:

- første montering af værktøjssystemet
- udskiftning af delbatch, bolt, skruebatch, værktøj, software, eller ændring af konfiguration eller miljø
- ændring af luft- eller elforbindelser
- ændring af linjeergonomi, proces, kvalitetsprocedurer eller praksis
- skift af operatør
- alle andre forandringer, der indvirker på resultatet af tilspændingsprocessen

Kontrollen skal:

- sikre, at samlingsforholdene ikke har ændret sig som følge af hændelser,
- foretages efter første montering, vedligeholdelse eller reparation af udstyret,
- finde sted mindst én gang pr. skift eller med anden hensigtsmæssig hyppighed.

EU-OVERENSSTEMMELSESERKLÆRING

Vi, **Ets Georges Renault**, 38 rue Bobby Sands, 44818 Saint Herblain, France, erklærer, under eneansvar, at produktet (med navn, type og serienummer på forsiden) er i overensstemmelse med følgende direktiv(er):

2006/42/EF, 2011/65/EU, 2014/53/EU

Harmoniserede standarder anvendt:

EN 62841-2-2 :2015+AC1 :2015 EN 61000-6-2 :2005 EN 61000-6-3 :2007+A1 :2011 EN 61326-2-3 :2006 EN 301 489-3 V2.1.1 EN 62311 :200

Myndigheder kan rekvirere relevant teknisk information fra: Pascal ROUSSY, R&D Manager, 38 rue Bobby Sands, 44818 Saint Herblain, France

Saint-Herblain, 2021/09/13

Pascal ROUSSY, R&D Manager

Udgiverens underskrift



Støj- og vibrationsdeklaration

- Lydvolumen < 70 dB(A), usikkerhed 3 dB(A), i overensstemmelse med EN 62841-2-2 : 2014.
- Vibration, samlet værdi < 2.5 m/s², usikkerhed 3 m/s², i overensstemmelse med EN 62841-2-2 : 2014.

Disse erklærede værdier blev indhentet efter laboratorieliggende testning i overensstemmelse med de angivne standarder og er egnet til sammenligning med de erklærede værdier for andre værktøjer testet i overensstemmelse med samme standarder. Vibrationsemissionsniveauet kan bruges til et foreløbigt skøn af eksponering. Sådanne erklærede værdier er ikke tilstrækkelige til brug i risikovurderinger, og værdier målt på de enkelte arbejdspladser kan være højere. De faktiske eksponeringsværdier og risici for skade, som

opleves af den enkelte bruger er unikke og afhænger af, hvordan brugeren arbejder, arbejdsemnet og arbejdspladsens udlægning, så vel som af eksponeringstiden og brugerens fysiske tilstand.

Vi, **Ets Georges Renault**, hæfter ikke for følgerne af at bruge de erklærede værdier i stedet for værdier, der afspejler den faktiske udsættelse i en individuel risikovurdering i en arbejdspladssituation, som vi ikke er herre over.

Dette værktøj kan forårsage hånd-arm-vibrationssyndrom, hvis anvendelse af værktøjet ikke styres tilstrækkeligt. En EU-vejledning til styring af hånd-armvibration findes ved at gå til <http://www.pneurop.eu/index.php> og vælge 'Tools' og derpå 'Legislation'.

Vi anbefaler et helbredsovervågningsprogram, så tidlige symptomer på vibrationseksponering kan blive opdaget, og ledelsesprocedurerne kan ændres mhp. at forebygge fremtidige skader.

- ⓘ Hvis dette udstyr er beregnet til fastgjorte anvendelser. Støjemissionen angives som vejledende for maskinbyggerne. Støj- og vibrationsemissionsdata for hele maskinen skulle være angivet i maskinens instruktionsbog.

WEEE

Oplysninger vedrørende **Affald af elektrisk og elektronisk udstyr** (WEEE):

Dette produkt og dets oplysninger opfylder kravene i WEEE-direktivet/forordningen (2012/19/EU) og skal håndteres i overensstemmelse med direktivet/forordningen.

Produktet er mærket med symbolet:



Produkter, der er mærket med en overstreget affaldsbeholder på hjul og en sort sort streg under, indeholder dele, der skal håndteres i overensstemmelse med WEEE-direktivet/forordningen. Hele produktet eller WEEE-delene kan sendes til det lokale "Kundecenter" til behandling.

Oplysninger om artikel 33 i REACH

Den europæiske forordning (EU) nr. 1907/2006 om registrering, vurdering og godkendelse af samt begrænsninger for kemikalier (REACH) definerer blandt andet krav til kommunikation i forsyningskæden. Oplysningskravet gælder også for produkter, der indeholder såkaldte særligt problematiske stoffer ("kandidatlisten"). Den 27. juni 2018 blev blymetal (CAS nr. 7439-92-1) føjet til kandidatlisten.

I overensstemmelse med ovenstående skal vi meddele dig, at visse elektriske og mekaniske komponenter i produktet kan indeholde blymetal. Dette er i overensstemmelse med gældende lovgivning om stofbegrænsning og baseret på legitime undtagelser i RoHS-direktivet (2011/65/EU). Blymetal lækker og muterer ikke fra produktet ved normal brug, og koncentrationen af blymetal i det komplette produkt ligger langt under den gældende grænseværdi. Tag hensyn til lokale krav vedrørende bortskaffelse af bly ved slutningen af produktets levetid.

Safety Information

Regionale krav

⚠ ADVARSEL

Dette produkt kan udsætte dig for kemikalier og bly, som af staten Californien regnes for at være kræftfremkaldende og kan føre til fosterskader og andre reproduktionsskader. For yderligere oplysninger, gå til <https://www.p65warnings.ca.gov/>

Sikkerhed

KASSÉR IKKE DETTE - GIV DET TIL BRUGEREN

⚠ ADVARSEL Alle lokalt gældende sikkerhedsforskrifter omhandlende installation, drift og vedligeholdelse skal altid overholdes.

Anvendelseserklæring

- Kun til professionel brug.
- Dette produkt og produktets tilbehør må ikke modificeres på nogen måde.
- Dette produkt må ikke bruges, hvis det er beskadiget.
- Hvis mærkaterne om produktdata eller advarsler på værktøjet ikke længere kan læses eller falder af, skal der straks sættes nye på.
- Produktet må kun installeres, betjenes og serviceres af en kvalificeret person i et industriområde.

Beregnet brug

Dette produkt er designet til at fastspænde og løsne gevindskårne møtrikker i træ, metal eller plastik. Ingen anden brug er tilladt. Kun til professionel brug.

Brug kun de følgende Desouter batteripakker.

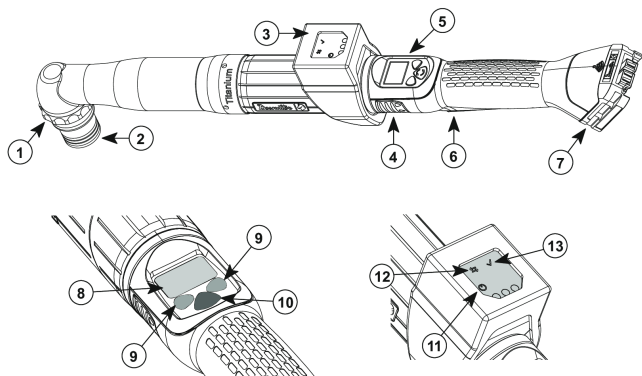
- Batteripakke 18 V 2.5 Ah, varenummer 6158132660
- Batteripakke 36 V 2.5 Ah, varenummer 6158132670

Batteripakker må **kun** oplades med Desouter batteripakkeoplader (6158132700).

For fuldstændige instrukser, gå til sikkerhedsinstruktioner (6159925310) for batteripakkeoplader og produktvejledning, tilgængeligt på adskillige sprog, på <https://www.desouttertools.com/resource-centre>

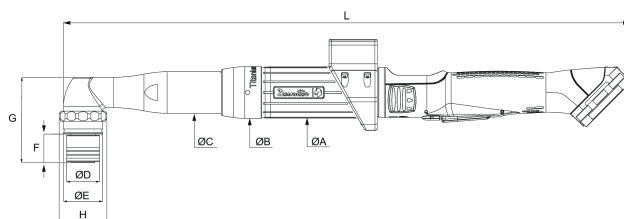
Produktspecifikke instrukser

Produktbeskrivelse



1	Monteringsadapter til Crowfoot
2	Hurtigudløsningsudgang
3	QR-tilbehørslæser
4	Rapporterende LED'er
5	Skærm og knapper
6	Udløser
7	Batterifodaftrek
8	Skærm
9	Programmeringsknapper
10	Baglænsknap
11	Indikator der viser, at tilbehøret er tændt.
12	Indlæser/skriver
13	Den tildelte Pset er klar.

Mål (mm)



Model	L	ØA	ØB
EABA26-560-QRX	496	46	46
EABA32-410-QRX	496	46	46
EABA45-330-QRX	506	46	46
EABA50-450-QRX	546	46	46
EABA60-370-QRX	559	46	58
EABA75-300-QRX	582	46	58
EABA95-240-QRX	582	46	58

Model	ØC	D	E
EABA26-560-QRX	37	25	28
EABA32-410-QRX	37	25	28
EABA45-330-QRX	37	30	35
EABA50-450-QRX	37	30	35
EABA60-370-QRX	41	33	40
EABA75-300-QRX	49	34	43
EABA95-240-QRX	49	34	43

Model	F	G	H
EABA26-560-QRX	22	68	35
EABA32-410-QRX	22	68	35
EABA45-330-QRX	25	76	44
EABA50-450-QRX	25	76	44
EABA60-370-QRX	27	85	49
EABA75-300-QRX	28	88	52
EABA95-240-QRX	28	88	52

Generel installationssikkerhed

Lad kun kvalificeret personale udføre installation.

Hæng værktøjet sikkert op, f.eks. fra en balancer. Når der anvendes et ophængsåg, skal det kontrolleres, at dette er i god stand og korrekt fastgjort.

Ved værktøj med ledning: Slut altid systemet til en jordforbundet stikkontakt. Sørg altid for, at elstikket tages ud, og at styreenheden er slukket, før værktøjskablet sættes i eller tages ud.

Generel betjeningssikkerhed

- På grund af fare for sammenfiltring må der ikke bæres handsker.
- Vær forberedt på reaktionskraften, som forekommer, når værktøjet er i brug. Understøt altid værktøjets håndtag godt i retningen modsat spindelens omdrejningsretning for at reducere effekten af pludselig momentreaktion under den endelige tilspænding eller første løsning.
- Hold aldrig i drivspindelen, fatningen eller drivforlængelsen.
- Brugere og reparationspersonale skal være fysisk i stand til at håndtere det elektriske værktøj med hensyn til omfang, vægt og kraft.
- Hvor muligt bruges en støttearm til at absorbere reaktionsmomentet. Hvis dette ikke er muligt, anbefales det at bruge sidehåndtag til værktøj med lige hus og til værktøj med pistolgreb. Reaktionsstænger anbefales til vinkelskraldere. Det anbefales at bruge et middel til at absorbere reaktionsmomentet over 4 Nm (3 lbf.ft) til værktøjer med lige huse, over 10 Nm (7,5 lbf.ft) til værktøjer med pistolgreb og over 60 Nm (44 lbf.ft) til vinkelskraldere.
- Over- eller underspændte fastgørelseselementer kan føre til alvorlig personskade. Samlinger, der skal tilspændes med et særligt moment, skal kontrolleres ved hjælp af en momentmåler. Sådanne "klik" momentnøgler må ikke anvendes til at kontrollere for potentielt farlige, overspændte tilstande. Over- eller underspændte fastgørelseselementer kan gå i stykker, løsne sig eller gå fra hinanden. Løsgjorte dele kan udgøre projektiler.
- Brug kun elektriske eller slagtopnøgler, som er i god stand. Undlad at bruge manuelle topnøgler.
- Når der anvendes elektrisk værktøj, vil brugeren muligvis føle ubehag i hænder, arme, skuldre, nakke og andre dele af kroppen. Skift mellem forskellige korrekte arbejdsstillinger i løbet af dagen, mens der bevares et godt fodfæste og undgå akavede eller ubalancerede stillinger.
- Gentagne arbejdsbevægelser, forkerte stillinger og udsættelse for vibrationer kan være skadeligt for hænder og arme. Hvis der opstår følelseløshed, snurren eller smerter, eller huden bliver hvid, skal man ophøre med at bruge værktøjet med det samme og søge lægehjælp.
- Udvis agtpåagivenhed ved betjening på trange steder. Pas på, at hænderne ikke knuses mellem værktøjet og emnet.

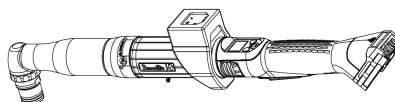
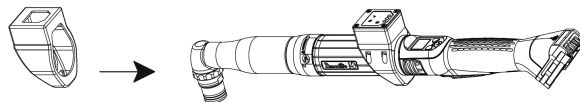
- Høje støjniveauer kan forårsage permanent høretab. Der skal altid bruges høreværn, som anbefalet af din arbejdsgiver eller i gældende bestemmelser for arbejdsmiljøet.
- Sørg for, at arbejdsemnet sidder sikkert fast.
- Udvis forsigtighed i ukendte omgivelser. Vær opmærksom på mulige faremomenter, der kan opstå som følge af arbejdets udførelse. Dette værktøj er ikke isoleret til kontakt med elektriske strømkilder.

Værktøj der bruges sammen med en momentreaktionsstang: Læg aldrig hånden på eller hold den i nærheden af momentreaktionsstangen når værktøjet er i brug. Vær opmærksom på spindelens omløbsretning inden aktivering af værktøjet, da reaktionskraften kan virke i en uventet retning og således skabe risiko for kvæstelser.

Ved værktøj med kobling: Umiddelbart efter justering af koblingen skal du tjekke, at værktøjet fungerer korrekt

Sådan monteres dækslet på læseren

- ⓘ Det anbefales kraftigt at montere det medfølgende dæksel for at beskytte læseren mod stød og skader.



Skub dækslet på værktøjet.
Brug kræfter til at skubbe det over læseren.

Isætning af batteriet



Isæt batteriet foran eller bag værktøjet, indtil der kan høres en tydelig låselyd.

Der er ingen tænd/sluk-knap: værktøjet er klar til brug, så snart der er isat et batteri.

Når værktøjet er tændt, blinker LED'erne på værktøjet.

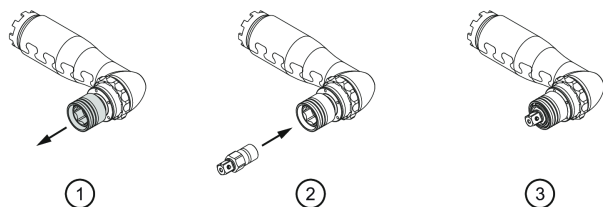
BEMÆRK Brugsanbefalinger for batteripakker
Opnå en længere batterilevetid.

- Tag batteripakken ud, når værktøjet ikke er i brug.
Placer ikke batteriet på opladeren, når opladeren er slukket.

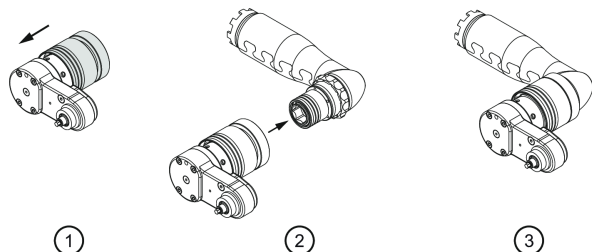
Sådan tilsluttes tilbehør

Kontakt

Safety Information



Crowfoot



Sæt et tilbehør i hurtigudløsningsudgangen som vist, og tildel en Pset hertil.

Start værktøjet

Sæt værktøjet i en egnet kontakt.

Vælg den tilhørende Pset.

Hold værktøjet ved hjælp af håndtaget og tryk imod fastgørelsesanordningen for at spænde.

⚠ ADVARSEL Risiko for skade

Da reaktionskraften stiger i forhold til spændingsmomentet, er der risiko for alvorlig personskade for operatøren som følge af uventede værktøjsbevægelser.

- Sørg for, at værktøjet fungerer, som det skal, og at systemet er programmeret korrekt.

Tryk på udløseren for at starte værktøjet.

Sådan skiftes rotationsretningen



-
- | | |
|---|------------------------|
| 1 | Tryk på baglænsknappen |
|---|------------------------|
-

Tryk på denne knap.

De røde og grønne LED'er blinker skiftevis.

Tryk værktøjet mod fastgørelsesanordningen og tryk på udløseren.

Generel service- og vedligeholdelsessikkerhed

Sørg altid for, at styreenheden er slukket under service for at undgå uventet opstart.

Lad kun kvalificeret personale udføre service.

Rengøringsinstruktioner

Rengør dele med en fugtig klud. Brug kun vand, der må ikke bruges rengøringsmidler, der indeholder solventer.

Kontakt din Desoutter-servicetekniker for at få rengøringsvejledning i henhold til de aktuelle anbefalinger og dit specifikke værktøj.

Generelle sikkerhedsadvarsler for maskinværktøj

⚠ ADVARSEL Læs alle sikkerhedsadvarsler, instruktioner, illustrationer og specifikationer, der følger med dette værktøj.

Undladelse af at følge alle instruktioner opført nedenfor kan føre til elektrisk stød, brand og/eller alvorlige skader.

Gem alle advarsler og instruktioner for fremtidig brug.

Termen "elektrisk værktøj" under advarslerne henviser til dit netdrevne (kabelbundet) elektriske værktøj eller batteridrevne (ledningsfri) elektriske værktøj.

Arbejdsområdesikkerhed

- **Hold arbejdsområdet rent og godt oplyst.** Rodede og mørke områder inviterer direkte til ulykker.
- **Brug ikke elektriske værktøjer i eksplosive atmosfærer som f.eks. ved brandfarlige væsker, gasser eller støv.** Elektriske værktøjer laver gnister, som kan antænde støv eller damp.
- **Hold børn og tilskuere på afstand, når du arbejder med et elektrisk værktøj.** Forstyrrelser kan medføre, at du mister kontrollen.

Elektrisk sikkerhed

- **Stikkene på det elektriske værktøj skal svare passe til kontakten. Modifier aldrig stikket på nogen måde. Brug ikke adapterstik med jordforbundne elektriske værktøjer.** Umodificerede kontakter og passende kontakter reducerer risikoen for elektrisk stød.
- **Undgå kropskontakt med jordforbundne overflader som f.eks. rør, radiatorer, komfurer og køleskabe.** Der er forhøjet risiko for elektrisk stød, hvis din krop er jordforbunden.
- **Udsæt ikke elektriske værktøj for regn eller fugtigt vejr.** Vand, der trænger ind i et elektriske værktøj øger risikoen for elektrisk stød.
- **Misbrug ikke ledningen. Brug aldrig ledningen til at bære, trække eller trække stikket ud for det elektriske værktøj. Hold ledningen væk fra varme, olie, skarpe kanter eller bevægelige dele.** Beskadede eller indfiltrerede ledninger øger risikoen for elektrisk stød.
- **Når du bruger et elektriske værktøj udendørs, skal du bruge en forlængerledning beregnet til udendørs brug.** Brug af en ledning, der er beregnet til udendørs brug, mindsker risikoen for elektrisk stød.
- **Hvis du ikke kan undgå at bruge et elektriske værktøj på et fugtigt sted, skal du bruge en fejlstrømsafbryder.** Brug af fejlstrømsafbryder reducerer risikoen for elektrisk stød.

Personlig sikkerhed

- **Vær opmærksom, se efter, hvad du laver og brug almindelig omtanke, når du arbejder med at elektriske værktøj. Brug ikke et elektriske værktøj, når du er træt eller har indtaget narkotika, alkohol eller medicin.** Et øjeblik uopmærksomhed under brug af elektriske værktøjer kan føre til alvorlige personskader.
- **Brug personligt beskyttende udstyr. Brug altid øjenbeskyttelse.** Beskyttelsesudstyr såsom ansigtsmaske, skridsikre sikkerhedssko, beskyttelseshjelm eller høreværn, brugt under passende forhold, reducerer risikoen for personskader.
- **Forebyg ufrivillig tænding. Vær sikker på, at kontakten er sat til off, før du forbinder det elektriske værktøj til nettet og/eller batteriet eller løfter eller bærer det.** Transport af elektriske værktøjer med din finger på kontakten eller tilførsel af strøm til et elektriske værktøj, hvor kontakten er sat på on, inviterer direkte til ulykker.
- **Fjern alle justeringsnøgler eller tænger, inden du tænder for det elektriske værktøj.** En tang eller en nøgle, der stadig er forbundet til en roterende del af det elektriske værktøj kan forårsage personskader.
- **Stræk ikke for langt. Have altid ordentligt fodfæste og balance.** Det giver bedre kontrol over det elektriske værktøj i uventede situationer.
- **Vær altid passende klædt. Klæd dig ikke i løststående tøj og bær ikke smykker. Hold dit hår og tøj væk fra bevægelige dele.** Løstsiddende tøj, smykker eller langt hår kan blive fanget ind af bevægelige dele.
- **Hvis der medfølger enheder til udtrækning og opsamling af støv, skal du sikre dig, at de forbundet og brugt korrekt.** Brug af støvopsamler kan reducere støvrelaterede farer.
- **Lad ikke stor erfaring fra regelmæssig brug af værktøjer få dig til at slappe af og ignorere sikkerhedsprincipperne for værktøjet.** En skødesløs handling kan forårsage alvorlige skader i en brøkdelt af et sekund.
- **Hold elværktøjet i de isolerede greb, når du bruger det på en sådan måde, at fastgørelsesanordningen kan komme i kontakt med skjulte ledninger eller dets egen ledning.** Hvis fastgørelsesanordningen kommer i kontakt med en strømførende ledning, kan gøre tilgængelige metaldele på værktøjet strømførende og give brugeren elektrisk stød.

Brug og vedligeholdelse af elektrisk værktøj

- **Forsøg ikke at presse det elektriske værktøj. Brug det korrekte elektriske værktøj til din applikation.** Det korrekte elektriske værktøj gør arbejdet bedre og mere sikkert for det, som det er designet til.
- **Brug ikke elektrisk værktøj, hvis kontakten ikke tænder eller slukker for det.** Alle elektriske værktøjer, der ikke kan kontrolleres med kontakten er farlige og skal repareres.
- **Træk stikket ud af kontakten fra strømforsyningen og/eller fjern batteriet, hvis det kan tages af, fra det elektriske værktøj, før du foretager nogen som helst justeringer, skifter tilbehør eller lægger det elektriske**

værktøj væk. Sådanne forebyggende aktiviteter reducerer risikoen for at starte det elektriske værktøj ved en fejl.

- **Opbevar inaktive elektriske værktøjer uden for børns rækkevidde og tillad ikke personer, der ikke kender til elektriske værktøjer eller disse instruktioner at bruge det elektriske værktøj.** Elektriske værktøjer er farlige i hænderne af uerfarne brugere.
- **Vedligehold elektriske værktøjer og tilbehør. Tjek for skævheder eller binding ved bevægelige dele, om nogle dele er brækket og alle andre ting, der kan have indflydelse på brugen af det elektriske værktøj. Hvis beskadiget, skal det elektriske værktøj repareres, før det kan bruges.** Mange ulykker er forårsaget af dårligt vedligeholdte elektriske værktøjer.
- **Hold skæreværktøjer skarpe og rene.** Ordentligt vedligeholdte skæreværktøjer med skarpe kanter binder ikke så let og er lettere at kontrollere.
- **Brug det elektriske værktøj, tilbehør og værktøjsbits mm. i overensstemmelse med disse instruktioner og under hensyntagen til arbejdsbetingelser og det arbejde, der skal udføres.** Brug af det elektriske værktøj til andre formål end dem, det er beregnet til, kan resultere i farlige situationer.
- **Hold håndtag og gribeblader tørre, rene og fri for olie og fedt.** Glatte håndtag og gribeblader gør, at værktøjet ikke kan håndteres og kontrolleres sikkert i uventede situationer.

Brug og vedligeholdelse af batteridrevet værktøj

- **Genoplad kun med den oplader, der er angivet af producenten.** En oplader, der passer til én type batteripakke, kan udgøre en risiko for brandfare, hvis den bruges til en anden batteripakke.
- **Brug kun elektriske værktøjer sammen med batterier, der er beregnede til dem.** Brug af andre batterier kan skabe fare for skader og brand.
- **Når batteriet ikke er i brug, skal det holdes væk fra andre metalgenstande som for eksempel papirclips, mønter, nøgler, søm, skruer eller andre små metalting, der kan etablere en forbindelse fra en klemme til en anden.** Kortslutning af batteriets klemmer kan forårsage brandsår eller brand.
- **Under utilbørlige betingelser kan væske strømme ud af batteriet; undgå berøring. Hvis der sker berøring ved et uheld, skyl med vand. Hvis væske kommer i kontakt med øjnene, søg lægehjælp.** Væske, der strømmer ud af batteriet, kan forårsage irritation eller forbrændinger.
- **Brug ikke et batteri eller værktøj, der er beskadiget eller er blevet ændret.** Beskadigede eller ændrede batterier kan opføre sig uberegneligt og forårsage brand, eksplosion eller risiko for skader.
- **Udsæt ikke et batteri eller et værktøj for ild eller høje temperaturer.** Udsættelse for ild eller temperaturer over 130 °C kan forårsage en eksplosion.
- **Følg alle opladningsinstruktioner og oplad ikke batteriet eller værktøjet ved temperaturer uden for det område, der er angivet i instruktionerne.** Upassende

Safety Information

opladning eller opladning ved temperaturer uden for det angivne område kan skade batteriet og øge risikoen for brand.

Service

- **Lad kun dit elektriske værktøj blive servicert af en kvalificeret reparatør, der kun bruger identiske reservedele.** Det sikrer, at det elektriske værktøjs sikkerhed bliver opretholdt.
- **Reparer aldrig beskadigede batteripakker.** Reparation af batteripakker bør kun udføres af producenten eller autoriserede serviceudbydere.

Symboler og mærkater

Produktet er monteret med skilte og mærkater med vigtig information om din personlige sikkerhed og vedligeholdelse af produktet. Skiltene og mærkaterne skal altid være nemme at læse. Nye skilte og mærkater kan bestilles på reservedelslisten.



s011050

Nyttig information

Website

Information om vores produkter, tilbehør, reservedele og publikationer kan findes på vores websted for Desoutter.

Gå ind på: www.desouttertools.com.

Information om monteringsvejledninger

Detaljeret betjeningsvejledning, installerings- og opgraderingsvejledninger er tilgængelige på <https://www.desouttertools.com/resource-centre>.

Information om reservedele

Sprængbilleder og reservedelslister findes i Service Link på www.desouttertools.com.

Oprindelsesland

France

Sikkerhedsdatablade MSDS/SDS

Sikkerhedsdatabladet indeholder beskrivelser af kemiske produkter leveret af Desoutter.

Se websiden vedrørende Desoutter for yderligere oplysninger på <https://www.desouttertools.com/legal/sds>.

Copyright

© Copyright 2022, Ets Georges Renault, 38 rue Bobby Sands, 44818 Saint Herblain, France

Alle rettigheder forbeholdes. Al uautoriseret brug eller kopiering af indholdet eller dele deraf er forbudt. Dette gælder især varemærker, modelbetegnelser, reservedel-

snumre og tegninger. Brug kun autoriserede reservedele. Al skade eller fejlfunktion som følge af brug af uautoriserede dele dækkes hverken af garantien eller produktansvaret.

Tekniske data

Tekniske data

Spenning (V)

36 V

Utgangsdriver

Modell	Type
EABA26-560-QRX	Hurtigtløser output
EABA32-410-QRX	Hurtigtløser output
EABA45-330-QRX	Hurtigtløser output
EABA50-450-QRX	Hurtigtløser output
EABA60-370-QRX	Hurtigtløser output
EABA75-300-QRX	Hurtigtløser output
EABA95-240-QRX	Hurtigtløser output

Momentområde (Nm)

Modell	Min. / Nominell / Maks.
EABA26-560-QRX	5 / 24 / 26
EABA32-410-QRX	7 / 30 / 32
EABA45-330-QRX	9 / 40 / 45
EABA50-450-QRX	9 / 45 / 50
EABA60-370-QRX	10 / 55 / 60
EABA75-300-QRX	12 / 70 / 75
EABA95-240-QRX	19 / 90 / 95

Momentområde (ft.lb)

Modell	Min. / Nominell / Maks.
EABA26-560-QRX	1,12 / 5,40 / 5,85
EABA32-410-QRX	1,57 / 6,74 / 7,19
EABA45-330-QRX	2,02 / 8,99 / 10,12
EABA50-450-QRX	2,02 / 10,12 / 11,24
EABA60-370-QRX	2,25 / 12,36 / 13,49
EABA75-300-QRX	2,70 / 15,74 / 16,86
EABA95-240-QRX	4,27 / 20,23 / 21,36

Nominell hastighed (o/min)

Modell	
EABA26-560-QRX	560
EABA32-410-QRX	410
EABA45-330-QRX	330
EABA50-450-QRX	450
EABA60-370-QRX	370
EABA75-300-QRX	300

Modell	
EABA95-240-QRX	240

Vekt

Modell	(kg)	(lb)
EABA26-560-QRX	2,04	4,50
EABA32-410-QRX	2,04	4,50
EABA45-330-QRX	2,21	4,87
EABA50-450-QRX	2,49	5,49
EABA60-370-QRX	2,82	6,22
EABA75-300-QRX	3,42	7,54
EABA95-240-QRX	3,46	7,63

i Vekten er gitt uten batteripakken.

Oppbevaring og bruksbetingelser

Oppbevaringstemperatur	-20 til +70 °C (-4 til +158 F)
Driftstemperatur	0 til 45 °C (32 til 113 F)
Oppbevaringsfuktighet	0-95 % relativ fuktighet (ikke-kondenserende)
Driftsfuktighet	0-90 % relativ fuktighet (ikke-kondenserende)
Høyde opp til	2000 m (6562 fot)
Brukbar i forurensningsgrad 2 miljø	
Kun innendørs bruk	

Trådløs kommunikasjon spesifikasjoner

RFID 13,56 MHz

Frekvens	13,553 MHz – 13,567 MHz
H-Field	< 42 dBµA/m på 10 m i tråd med ETSI EN 300 330 v2.1.1

Erklæringer

Ansvar

Mange hendelser i driftsmiljøet kan påvirke tiltrekkingsprosessen og skal kreve en validering av resultatene. I samsvar med gjeldende standarder og/eller forskrifter, krever vi herved at du kontrollerer installert moment og rotasjonsretning etter enhver hendelse som kan påvirke tiltrekkingsresultatet. Eksempler på slike hendelser inkluderer, men er ikke begrenset til:

- innledende installasjon av verktøysystemet
- endring av delparti, bolt, skruerparti, verkøty, programvare, konfigurasjon eller miljø
- endring av luft- eller elektriske tilkoblinger
- endring i linjeergonomi, prosess, kvalitetsprosedyrer eller praksiser
- endring av operatør

- enhver annen endring som påvirker resultatet av tiltrekkingsprosessen

Kontrollen skal:

- Sørg for at leddtilstandene ikke har endret seg på grunn av påvirkningshendelser.
- Gjennomføres etter innledende installasjon, vedlikehold eller reparasjon av utstyret.
- Forekomme minst én gang per skift eller ved en annen egnet frekvens.

EU-SAMSVARERKLÆRING

Vi, **Ets Georges Renault**, 38 rue Bobby Sands, 44818 Saint Herblain, France, erklærer under eget ansvar at produktet (med navn, type og serienummer, se forsiden) er i samsvar med følgende direktiv(er): **2006/42/EC, 2011/65/EU, 2014/53/EU**

Benyttede harmoniserte standarder:

EN 62841-2-2 :2015+AC1 :2015 EN 61000-6-2 :2005 EN 61000-6-3 :2007+A1 :2011 EN 61326-2-3 :2006 EN 301 489-3 V2.1.1 EN 62311 :200

Myndigheter kan be om relevant teknisk informasjon fra: **Pascal ROUSSY**, R&D Manager, 38 rue Bobby Sands, 44818 Saint Herblain, France

Saint Herblain, 2021/09/13

Pascal ROUSSY, R&D Manager

Utstederens signatur



Erklæring om støy- og vibrasjonsdemping

-
- Vibrasjons totalverdi < 2.5 m/s², usikkerhet 3 m/s², i samsvar med EN 62841-2-2 : 2014.

Disse gitte verdiene ble hentet fra laboratorietesting i samsvar med de nevnte standardene, og er egnet for sammenligning med de gitte verdiene for andre verktøy testet i samsvar med de samme standardene. Vibrasjonsnivået kan bli brukt ved forhåndsvurdering av eksponering. Disse gitte verdiene er ikke tilstrekkelig til bruk i risikovurderinger, og verdier målt ved individuelle arbeidsplasser kan være høyere. Faktiske eksponeringsverdier og risiko for skade hos en individuell bruker er unike, og disse er avhengig av måten brukeren jobber på, arbeidsstykket og arbeidsstasjonen, i tillegg til eksponeringstid og brukerens fysiske helse.

Vi, **Ets Georges Renault**, kan ikke holdes ansvarlig for konsekvensene av å benytte de erklærte verdiene, i stedet for verdier som reflekterer den faktiske eksponeringen, i en individuell risikovurdering i en situasjon på arbeidsplassen som vi ikke har kontroll over.

Dette verktøyet kan forårsake hånd-arm-vibrasjonssyndrom hvis det ikke håndteres riktig. En EU-veiledning for å administrere hånd-/armvibrasjon kan bli funnet ved å gå til <http://www.pneurop.eu/index.php>, og velge «Tools» og deretter «Legislation».

Safety Information

Vi anbefaler at bedriftshelsetjenesten gjennomfører et program for å avdekke tidlige tegn på vibrasjonseksposering, slik at prosedyrene kan endres for å bidra til å unngå fremtidig svekkelse.

- ⓘ Dette utstyret er ment for faste applikasjoner: Støyemisjonen gis som en veiledning for maskinbyggeren. Støy- og vibrasjonsemissjonsdata for den fullstendige maskinen skal gis i instruksjonshåndboken for maskinen.

WEEE

Informasjon angående **Avfall fra elektrisk og elektronisk utstyr** (WEEE):

Dette produktet og informasjonen om produktet imøtekommer kravene i WEEE-direktivet/forordningene (2012/19/EU) og må håndteres i samsvar med direktivet/forordningene.

Produktet er merket med det følgende symbolet:



Produkter som er merket med en søppeldunk med kryss over og en enkel svart linje under, inneholder deler som må håndteres i tråd med WEEE-direktivet/forordningene. Hele produktet, eller WEEE-delene, kan sendes til "Kundesenteret" ditt for håndtering.

Informasjon angående artikkel 33 i REACH

Den Europeiske reguleringen (EU) Nr. 1907/2006 som gjelder registrering, evaluering, autorisasjon og restriksjon av kjemikalier (REACH) definerer, blant annet, krav relatert til kommunikasjon i leveransekjeden. Informasjonskravet gjelder også produkter som inneholder såkalte stoffer av meget høy bekymring ("Kandidatlisten"). Den 27. juni, 2018 ble blymetall (CAS nr 7439-92-1) lagt til kandidatlisten.

I henhold med det ovenstående er dette for å informere deg om at visse elektriske og mekaniske komponenter i produktet kan inneholde blymetall. Dette er i samsvar med den gjeldende lovgivningen som gjelder restriksjoner av stoffer og basert på legitime unntak i RoHS direktivet (2011/65/EU). Blymetall vil ikke lekke eller muteres fra produktet under vanlig bruk og konsentrasjonen av blymetall i det komplette produktet er godt under den gjeldende terskelgrensen. Se over lokale krav angående avhending av bly når produktets brukstid er utløpt.

Regionale krav

⚠ ADVARSEL

Dette produktet kan utsette deg for kjemikalier inkludert bly, noe den amerikanske staten California regner som kreftfremkallende, som årsak til fosterskader og på andre måter som skadelig for forplantningsprosessen. For mer informasjon besøkes

<https://www.p65warnings.ca.gov/>

Sikkerhet

KAST IKKE BORT - GI TIL BRUKER

- ⚠ **ADVARSEL** Alle lokale, lovbestemte sikkerhetsregler vedrørende installasjon, operasjon og vedlikehold skal overholdes til enhver tid.

Brukerklæring

- Kun til profesjonell bruk.
- Dette produktet og dets tilbehør må ikke på noen måte modifiseres.
- Ikke bruk dette produktet hvis det har blitt skadet.
- Dersom dataverktøyet eller farevarskiltene på produktet ikke lenger er leselige eller løsner, må disse skiftes ut umiddelbart.
- Produktet må kun installeres, brukes og vedlikeholdes av en kvalifisert person i et industrielt monteringsmiljø.

Tiltenkt bruk

Dette produktet er utformet for festing og fjerning av gjengede fester i tre, metall eller plastikk. Annet bruk er ikke tillatt. Kun til profesjonell bruk.

Bruk kun den følgende Desoutter batteripakken.

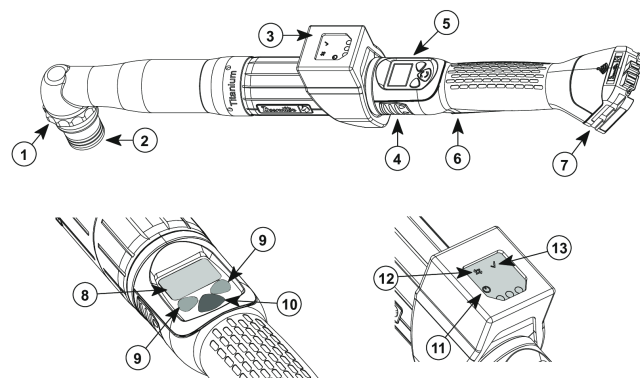
- Batteripakke 18 V 2.5 Ah, delenummer 6158132660
- Batteripakke 36 V 2.5 Ah, delenummer 6158132670

Batteripakker **kun** må lades med Desoutter batteripakkeladeren (6158132700).

For fullstendige instruksjoner, se batteripakkeladerens sikkerhetsinstruksjoner (6159925310) og produktinstruksjoner som er tilgjengelig på flere språk på <https://www.desouttertools.com/resource-centre>

Produktspesifikke instruksjoner

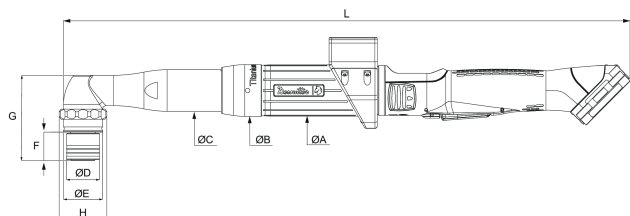
Produktbeskrivelse



- 1 Monteringsadapter for Crowfoot
- 2 Hurtigutløsningsuttak
- 3 QR tilbehørleser
- 4 LED for rapportering
- 5 Display og knapper
- 6 Utløser
- 7 Fotspor for batteri

- 8 Display
- 9 Programmeringsknapper
- 10 Reverseringsknapp
- 11 Indikator som viser dersom tilbehøret er skrudd på.
- 12 Avlesing/skriving pågår
- 13 Den tildelte Pset er klar.

Dimensjoner



Modell	L	ØA	ØB
EABA26-560-QRX	496	46	46
EABA32-410-QRX	496	46	46
EABA45-330-QRX	506	46	46
EABA50-450-QRX	546	46	46
EABA60-370-QRX	559	46	58
EABA75-300-QRX	582	46	58
EABA95-240-QRX	582	46	58

Modell	ØC	D	E
EABA26-560-QRX	37	25	28
EABA32-410-QRX	37	25	28
EABA45-330-QRX	37	30	35
EABA50-450-QRX	37	30	35
EABA60-370-QRX	41	33	40
EABA75-300-QRX	49	34	43
EABA95-240-QRX	49	34	43

Modell	F	G	H
EABA26-560-QRX	22	68	35
EABA32-410-QRX	22	68	35
EABA45-330-QRX	25	76	44
EABA50-450-QRX	25	76	44
EABA60-370-QRX	27	85	49
EABA75-300-QRX	28	88	52
EABA95-240-QRX	28	88	52

Generell installasjonssikkerhet

Bruk bare kvalifisert personell ved installasjon.

Heng opp verktøyet på sikker måte, for eksempel fra en balanseenhet. Hvis det brukes opphengningsåk må det sjekkes at det er i god stand og skikkelig festet.

For verktøy med ledning: Koble alltid systemet til et jordet strømnett. Se alltid til at strømstøpselet er frakoblet og kontrolløren er slått av før tilkobling eller frakobling av verktøykabler.

Generell Driftssikkerhet

- **Ikke bruk hansker, p.g.a faren for å sette seg fast.**
- **Vær forberedt på reaksjonskraften som oppstår når verktøyet brukes.** Håndtaket på verktøyet skal alltid støttes forsvarlig i motsatt retning til spindelrotasjonen for å redusere effekten av plutselig tiltrekkingsmoment under slutt-tiltrekking og på begynnelsen når festeanordninger blir løsnet på.
- **Hold aldri drevet, sokkelen eller drivutvidelsen.**
- **Operatører og vedlikeholdspersonell må være i fysisk stand til å behandle størrelsen, vekten og styrken av verktøyet.**
- **Hvis det er mulig, bruk en opphengsarm til å absorbere reaksjonsmomentet.** Hvis det ikke er mulig, anbefales sidehåndtak for retthusede verktøy og verktøy med pistolgrep; reaksjonsstenger anbefales for vinkelskiftene. I alle tilfeller anbefales det å bruke et middel til å absorbere reaksjonsdreiemomentet over 4 Nm (3 lbf.ft) for retthusede verktøy, over 10 Nm (7,5 lbf.ft) for verktøy med pistolgrep, og over 60 Nm (44 lbf.ft) for vinkelskiftene.
- **Alvorlig skade kan resultere fra overtilltrekte eller undertilltrekte festere.** Montasjer som trenger et spesielt tiltrekkingsmoment, skal sjekkes ved å bruke en måler for tiltrekkingsmoment. Momentnøkler med "klikk" kan ikke brukes til å sjekke en potensielt farlig tilstand hvor det er for høyt tiltrekkingsmoment. Overtilltrekte eller undertilltrekte festere kan brette, løsne eller dele seg. Montasjer som er skrudd løs, kan bli til prosjektiler.
- **Bruk kun hylser beregnet til elektroverktøy eller hylser som er i god stand.** Bruk ikke hylser beregnet for tiltrekking med håndverktøy.
- **Ved bruk av et elektrisk verktøy til å utføre arbeidrelaterte aktiviteter kan operatøren oppleve ubehag i hender, armer, skuldre, nakke eller andre deler av kroppen.** Varier mellom egnede stillinger hele dagen igjennom, hold et sikkert fotfeste, og unngå unaturlige eller ubalanserte stillinger.
- **Gjentatte arbeidsbevegelser, ubehagelige stillinger og utsettelse for vibrering kan være skadelig for hender og armer.** Hvis det oppstår nummenhet, prikking, smerte eller fargetap i huden, skal du slutte å bruke verktøyet og kontakte lege.
- **Vær forsiktig når du arbeider i trange rom.** Pass på at du ikke klemmer hendene mellom maskinen og emnet.
- **Høye lydnivåer kan forårsake varig hørselstap.** Bruk hørselsvern som anbefalt av arbeidsgiver eller helse- og sikkerhetsforskrifter på arbeidsplassen.
- **Se til at arbeidsstykket er godt festet.**
- **Gå varsomt frem i uvante omgivelser.** Vær oppmerksom på eventuelle farer som skapes av arbeidssaktiviteten. Dette verktøyet er ikke isolert mot å komme i kontakt med elektriske strømkilder.

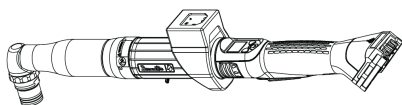
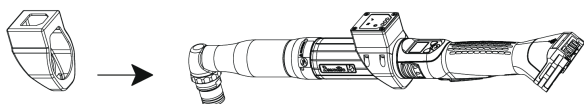
Safety Information

Verktøy brukt sammen med en reaksjonsstang: Før aldri hånden din i nærheten av reaksjonsstangen mens verktøyet brukes. Vær klar over rotasjonsretningen på spindelen før start av verktøyet, reaksjonskraften kan virke i en uventet retning med fare for knuseskader.

For verktøy som inneholder en clutch: Pass på at verktøyet fungerer riktig etter justering av clutchen.

Hvordan montere dekselet over leseren

- ❶ Det anbefales sterkt å montere dekselet som leveres i pakken, for å beskytte leseren fra støt og skade.



Sky dekselet over verktøyet. Skyv det hardt over leseren.

Sett inn batteripakken



Sett inn batteripakken foran eller bak verktøyet helt til du tydelig hører en klikkelyd.

Det finnes ingen PÅ/AV-bryter: verktøyet er klart for bruk så snart batteripakken er montert.

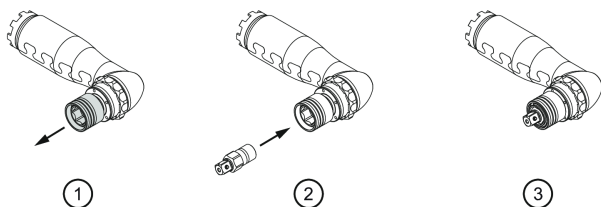
Når verktøyet er slått på, blinker LED lysene på verktøyet.

MERK Bruksanbefalinger for batteripakkene
Sikre en lengre holdbarhet på batteripakken.

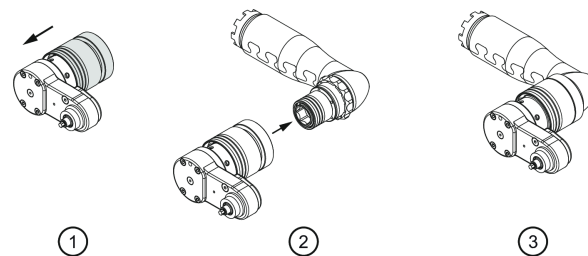
- ▶ Trekk ut batteripakken når verktøyet ikke er i bruk.
Ikke la verktøyspakken stå på laderen når strømforsyningen er slått av.

Hvordan plugge til tilbehør

Sokkel



Crowfoot



Plugg et tilbehør inn i hurtigutløsningsuttaket som vist og tildel en Pset til det.

Oppstart av verktøyet

Utstyr verktøyet med en behørig kontakt.

Velg det egnede Pset.

Hold verktøyet i håndtaket og påfør festeanordningen som skal strammes.

⚠ ADVARSEL Risiko for skade

Idet reaksjonstrykket øker i forhold til strammementet er det en risiko for alvorlig kroppslig skade på operatøren som et resultat av uforventet adferd av verktøyet.

- ▶ Påse at verktøyet er i perfekt driftstilstand og at systemet er programmert riktig.

Trykk på utløseren for å starte verktøyet.

Hvordan man reverserer rotasjonen



1 Kjør reverseringsknappen

Trykk på denne knappen.

Røde og grønne LED lys blinker vekslende.

Påfør verktøyet til festeanordningen og trykk på utløseren.

Service og Vedlikeholdssikkerhet

Hold alltid kontrolleren låst i løpet av service, for å unngå utilsiktet oppstart.

Bruk bare kvalifisert personell ved service.

Rengjøringsinstruksjoner

Rengjør deler med en fuktig klut. Bruk kun vann, ingen rengjøringsmidler som inneholder løsemidler bør brukes.

Kontakt din Desoutter tjenestetekniker for rengjøringsråd i henhold til gjeldende anbefalinger og for ditt spesifikke verktøy.

Generelle sikkerhetsadvarsler for elektriske verktøy

⚠ ADVARSEL Les alle sikkerhetsadvarsler, instruksjoner, illustrasjoner og spesifikasjoner som følger med det elektriske verktøyet.

Hvis alle instruksjonene nedenfor ikke blir fulgt, kan dette føre til elektrisk støt, brann og/eller alvorlig personskade.

Ta vare på alle advarsler og instruksjoner for fremtidig referanse.

Uttrykket «elektrisk verktøy» som brukes i advarslene, viser til elektriske verktøy som trekker strøm fra hovednettet, eller batteridrevne (trådløse) elektriske verktøy.

Sikkerhet på arbeidsområdet

- **Hold arbeidsområdet rent og med tilstrekkelig belysning.** Ulykker oppstår oftere i rotete eller mørke områder.
- **Bruk ikke elektriske verktøy i områder med eksplosjonsfare, som i nærheten av antennelige væsker, gasser eller støv.** Elektriske verktøy skaper gnister som kan antenne støv eller dunster.
- **Hold barn og utenforstående på avstand mens du bruker det elektriske verktøyet.** Distraksjoner kan lett gjøre at du mister kontrollen.

Elektrisk sikkerhet

- **Kontaktene på elektriske verktøy må være kompatible med uttaket.** Modifiser aldri kontakten på noen som helst måte. **Bruk ikke adapterpluggen sammen med elektriske verktøy som er jordet.** Umodifiserte kontakter og tilsvarende uttak reduserer risikoen for elektrisk støt.
- **Unngå kroppskontakt med jordede overflater, som rør, radiatorer, kjøleskap osv.** Det er økt risiko for elektrisk støt hvis kroppen din er jordet.
- **Ikke utsett det elektriske verktøyet for regn eller våte tilstander.** Vann i det elektriske verktøyet øker risikoen for elektrisk støt.
- **Behandle ledningen pent.** **Bruk aldri ledningen til å bære, dra eller koble fra det elektriske verktøyet.** **Hold ledningen bort fra varme, olje, skarpe kanter eller bevegelige deler.** Skadede eller forviklede ledninger øker risikoen for elektrisk støt.
- **Når du bruker det elektriske verktøyet utendørs, bruk en forlenger til utendørs bruk.** Bruk av riktig ledning utendørs reduserer risikoen for elektrisk støt.
- **Hvis du ikke kan unngå å bruke det elektriske verktøyet på en fuktig plass, bruk en reststrømsenhet (RCD).** Bruk av en RCD reduserer risikoen for elektrisk støt.

Personlig sikkerhet

- **Vær årvåken og følg med på hva du gjør, og bruk sunn fornuft når du opererer et elektrisk verktøy.** **Bruk ikke et elektrisk verktøy når du er trøtt eller har benyttet alkohol, narkotika eller søvndyssende medisiner.** Ett øyeblikks uoppmerksomhet når du bruker elektriske verktøy kan føre til alvorlig personskade.

- **Bruk personlig verneutstyr. Bruk alltid vernebriller.** Verneutstyr slik som støvmaske, sklifrie vernesko, hjelm og hørselsvern brukt i gjeldende situasjoner, vil redusere risikoen for personskader.
- **Forhindre at verktøyet starter ved uhell. Sørg for at bryteren står i av-posisjon før du kobler til en strømkilde og/eller en batteripakning, og før du løfter eller bærer på verktøyet.** Hvis du bærer elektriske verktøy med fingeren plassert på bryteren, eller kobler til strøm mens bryteren er i på-posisjon, kan det føre til ulykker.
- **Fjern alle justeringsnøkler eller skiftenøkler før du skrur på det elektriske verktøyet.** En skiftenøkkel eller justeringsnøkkel festet i den roterende delen på det elektriske verktøyet, kan føre til personskade.
- **Ikke strekk deg for langt. Sørg for at begge beina er på bakken, og at du har god balanse.** Dette gir deg bedre kontroll over det elektriske verktøyet i uventede situasjoner.
- **Bruk riktige arbeidsklær. Ikke bruk løse plagg eller smykker. Hold hår og klær på avstand fra bevegelige deler.** Løse klær, smykker eller langt hår kan sette seg fast i bevegelige deler.
- **Hvis apparater leveres for å koble til støvutsug og oppsamling av avfall, sørg for at disse blir koblet til og brukt på riktig måte.** Bruk av støvoppsamlere kan redusere støvrelaterte farer.
- **Ikke bli sløv med sikkerhetstiltak bare fordi du har brukt verktøyet så ofte at du føler deg trygg.** Én uoppmerksom handling er nok til å føre til en alvorlig ulykke på ett sekund.
- **Hold det elektriske verktøyet etter de isolerte gripeoverflatene når du utfører en operasjon hvor festeanordningen kan berøre skjult kabling eller sin egen ledning.** Festeanordninger som kommer i berøring med en strømførende kabel, kan gjøre eksponerte metalldele på det elektriske verktøyet strømførende og gi operatøren et elektrisk støt.

Bruk og vedlikehold av elektriske verktøy

- **Ikke bruk det elektriske verktøyet feil. Bruk egnet elektrisk verktøy til den oppgaven som skal utføres.** Et egnet elektrisk verktøy vil utføre jobben bedre og på en sikrere måte, slik som det er tiltenkt.
- **Bruk ikke det elektriske verktøyet hvis bryteren ikke skrur det av eller på.** Ethvert elektrisk verktøy som ikke kan kontrolleres med bryteren utgjør en fare, og må repareres.
- **Ta ut stikkkontakten fra strømkilden og/eller om mulig, fjern batteripakningen fra verktøyet før du gjør justeringer, bytter tilbehør eller oppbevarer det elektriske verktøyet.** Slike sikkerhetstiltak reduserer risikoen for at verktøyet plutselig starter opp.
- **Oppbevar elektriske verktøy som ikke er i bruk, utenfor rekkevidde for barn, og la ikke personer som ikke har kunnskap om det elektriske verktøyet og disse instruksjonene, få lov til å bruke verktøyet.** Elektriske verktøy er farlige i hendene på uopplærte personer.

Safety Information

- **Vedlikehold av elektriske verktøy og tilbehør.** Kontroller at delene sitter på plass og at løse deler ikke sitter fast, om deler har blitt skadet, eller andre tilstander som kan påvirke ytelsen til det elektriske verktøyet. Hvis det elektriske verktøyet er skadet, reparer det før bruk. Mange ulykker blir forårsaket av dårlig vedlikeholdte elektriske verktøy.
- **Hold skjæreverktøy skarpe og fri for smuss.** Skikkelig vedlikeholdte skjæreverktøy med skarpe skjærekanten er mindre sannsynlig å låse seg, og er enklere å kontrollere.
- **Bruk det elektriske verktøyet og alt tilbehøret i henhold til disse instruksjonene, og ta hensyn til alle arbeidsforhold og typen oppgaver som skal utføres.** Bruk av elektriske verktøy i andre applikasjoner enn tiltenkt, kan føre til en farlig situasjon.
- **Hold håndtakene og gripeoverflater tørre, rene og fri fra olje og fett.** Glatte håndtak og gripeoverflater gir ikke sikker håndtering og kontroll av verktøyet i uventede situasjoner.

Bruk og vedlikehold av batteridrevne verktøy

- **Kun lad opp med laderen spesifisert av produsenten.** En lader som er behørig for en type batteripakke kan skape en brannrisiko når brukt med en annen batteripakke.
- **Bruk kun elektriske verktøy med batteripakninger som er spesifikt utformet for bruk med disse.** Bruk av andre batteripakninger kan skape en risiko for personskade og brann.
- **Når en batteripakke ikke er i bruk, hold den bort fra andre metallobjekter, slik som binders, mynter, nøkler, negler, skruer eller andre små metallobjekter, som kan utgjøre en kopling fra en terminal til en annen.** Kopling av batteriterminalene sammen kan forårsake brannskader eller en brann.
- **Under uheldige forhold kan væske sive ut fra batteriet; unngå kontakt. Om kontakt tilfeldigvis oppstår, skyl med vann. Om væske kommer i kontakt med øynene, oppsøk medisinsk hjelp.** Væske ejsert fra batteriet kan forårsake irritasjon eller brannskader.
- **Ikke bruk en batteripakning eller et verktøy som er skadet eller modifisert.** Skadede eller modifiserte batterier kan vise uventet adferd som resulterer i brann, eksplosjon eller risiko for skade.
- **Ikke utsett en batteripakning eller et verktøy for brann eller for høy temperatur.** Eksponering for brann eller temperatur over 130 °C kan forårsake eksplosjon.
- **Følg alle ladeinstruksjoner og ikke lad batteripakken eller verktøyet utenfor temperaturområdet spesifisert i instruksjonene.** Feil lading eller ved temperaturer utenfor det spesifiserte området kan skade batteriet og øke risikoen for brann.

Service

- **Lever det elektriske verktøyet til servicekontroll hos en kvalifisert reparatør som kun bruker identiske reservedeler.** Dette vil sørge for at det elektriske verktøyet fortsatt er trygt å bruke.

- **Utfør aldri service på skadede batteripakker.** Service på batteripakker skal kun utføres av produsenten eller autoriserte serviceleverandører.

Tegn og klistremerker

Produktet er montert med skilt og klistremerker som inneholder viktig informasjon om personlig sikkerhet og produktvedlikehold. Skilt og klistremerker skal alltid være enkle å lese. Nye skilt og klistremerker kan bestilles ved bruk av reservedelslisten.



5011050

Nyttig informasjon

Nettsider

Du finner informasjon vedrørende produkter, tilbehør, reservedeler og publiserte saker på Desoutter-nettstedet.

Besøk siden: www.desouttertools.com.

Informasjon om installasjonsmanualer

Detaljerte bruksanvisninger, installasjons- og oppgraderingshåndbøker er tilgjengelige på <https://www.desouttertools.com/resource-centre>.

Informasjon om reservedeler

Sprengskisser og reservedelslister er tilgjengelig fra Service Link hos www.desouttertools.com.

Opphavsland

France

Sikkerhetsdataark MSDS/SDS

Sikkerhetsdatabladet beskriver de kjemiske produktene solgt av Desoutter.

Vennligst se Desoutter nettsider for mer informasjon <https://www.desouttertools.com/legal/sds>.

Opphavsrett

© Copyright 2022, Ets Georges Renault, 38 rue Bobby Sands, 44818 Saint Herblain, France

Alle rettigheter forbeholdes. All uautorisert bruk eller kopiering av innholdet eller en del av dette er forbudt. Dette gjelder spesielt for varemerker, modellbetegnelser, delenumre og tegninger. Bruk kun autoriserte deler. Skader eller feilfunksjoner som forårsakes av bruk av uautoriserte deler, dekkes ikke av garantien eller produktansvaret.

Tekniset tiedot

Tekniset tiedot

Jännite (V)

36 V 

Väännin

Malli	Tyyppi
EABA26-560-QRX	Nopeasti irrotettava lähtö
EABA32-410-QRX	Nopeasti irrotettava lähtö
EABA45-330-QRX	Nopeasti irrotettava lähtö
EABA50-450-QRX	Nopeasti irrotettava lähtö
EABA60-370-QRX	Nopeasti irrotettava lähtö
EABA75-300-QRX	Nopeasti irrotettava lähtö
EABA95-240-QRX	Nopeasti irrotettava lähtö

Vääntömomenttialue (Nm)

Malli	Väh. / Nimell. / Enint.
EABA26-560-QRX	5 / 24 / 26
EABA32-410-QRX	7 / 30 / 32
EABA45-330-QRX	9 / 40 / 45
EABA50-450-QRX	9 / 45 / 50
EABA60-370-QRX	10 / 55 / 60
EABA75-300-QRX	12 / 70 / 75
EABA95-240-QRX	19 / 90 / 95

Vääntömomenttialue (ft.lb)

Malli	Väh. / Nimell. / Enint.
EABA26-560-QRX	1,12 / 5,40 / 5,85
EABA32-410-QRX	1,57 / 6,74 / 7,19
EABA45-330-QRX	2,02 / 8,99 / 10,12
EABA50-450-QRX	2,02 / 10,12 / 11,24
EABA60-370-QRX	2,25 / 12,36 / 13,49
EABA75-300-QRX	2,70 / 15,74 / 16,86
EABA95-240-QRX	4,27 / 20,23 / 21,36

Nimellisnopeus (rpm)

Malli	
EABA26-560-QRX	560
EABA32-410-QRX	410
EABA45-330-QRX	330
EABA50-450-QRX	450
EABA60-370-QRX	370
EABA75-300-QRX	300
EABA95-240-QRX	240

Paino

Malli	(kg)	(lb)
EABA26-560-QRX	2,04	4,50
EABA32-410-QRX	2,04	4,50
EABA45-330-QRX	2,21	4,87
EABA50-450-QRX	2,49	5,49
EABA60-370-QRX	2,82	6,22
EABA75-300-QRX	3,42	7,54
EABA95-240-QRX	3,46	7,63

 Paino on ilmoitettu ilman akkua.

Varastointi- ja käyttöolosuhteet

Varastointilämpötila	-20 – +70 °C (-4 – +158 F)
Käyttölämpötila	0 – 45 °C (32 – 113 F)
Varastointikosteus	0–95 % RH (ei tiivistymistä)
Käyttökoosteus	0-90 % RH (ei tiivistymistä)
Korkeus merenpinnasta enintään	2000 m (6562 jalkaa)
Voidaan käyttää likaantumisasteen 2 ympäristössä	
Vain sisäkäyttöön	

Langattoman yhteyden tekniset tiedot

RFID 13,56 MHz

Taajuus	13,553 MHz - 13,567 MHz
H-kenttä	< 42 dBμA/m @ 10 m ETSI EN 300 330:n mukaan v2.1.1

Vakuutukset

Vastuu

Useat käyttöympäristön tilanteet voivat vaikuttaa kiristystoimintoihin ja voivat vaatia tuloksien hyväksymistä. Soveltavien standardien ja/tai määräysten yhdenmukaistamisen varmistamiseksi, vaadimme sinua tarkastamaan asennusmomentin ja pyörimissuunnan minkä tahansa kiristystulokseen vaikuttavan tilanteen jälkeen. Näiden tilanteiden esimerkit sisältävät seuraavat, niitä kuitenkin rajoittamatta:

- työstöjärjestelmän alkuasennus
- osacerän, pultin, ruuvierän, työkalun, ohjelman, kokoonpanon tai ympäristön vaihto tai muutos
- ilma- tai sähköliitäntöjen muutos
- ergonomiikan, prosessin, laadunvalvontatoimenpiteiden tai menetelmien muutos
- käyttäjän vaihdettavissa
- mikä tahansa muu muutos, joka vaikuttaa kiristystoiminnon tulokseen

Tarkastuksessa tulisi:

Safety Information

- varmistaa, että liitosolosuhteet eivät ole muuttuneet tilanteiden vaikutuksesta johtuen.
- olla suoritettu laitteiston alkusennuksen, huollon tai korjauksen jälkeen.
- suorittaa vähintään kerran työjakson aikana tai toisen tarkoitukseen soveltuvan ajan välein.

EU-VAATIMUSTENMUKAISUUSVAKUUTUS

Me, **Ets Georges Renault**, 38 rue Bobby Sands, 44818 Saint Herblain, France, vakuutamme yksinomaisella vastuullamme, että tuote (nimi, tyyppi ja sarjanumero, katso etusivu) on yhdenmukainen seuraavien direktiivien kanssa: **2006/42/EY, 2011/65/EU, 2014/53/EU**

Sovelletut yhdenmukaistetut standardit:

EN 62841-2-2 :2015+AC1 :2015 EN 61000-6-2 :2005 EN 61000-6-3 :2007+A1 :2011 EN 61326-2-3 :2006 EN 301 489-3 V2.1.1 EN 62311 :200

Viranomaiset voivat pyytää asiaan liittyvät tekniset tiedot seuraavasta osoitteesta:

Pascal ROUSSY, R&D Manager, 38 rue Bobby Sands, 44818 Saint Herblain, France

Saint Herblain, 2021/09/13

Pascal ROUSSY, R&D Manager

Ilmoittajan allekirjoitus



Melu- ja värinädirektiivin selonteko

- Äänitehon taso < 70 dB(A), vaihtelu 3 dB(A), EN 62841-2-2 : 2014:n mukaisesti.
- Värinän kokonaisarvo < 2.5 m/s², vaihtelu 3 m/s², EN 62841-2-2 : 2014:n mukaisesti.

Ilmoitetut arvot on saatu mainittujen standardien mukaisessa laboratoriotestauksessa ja ne soveltuvat toisten samojen standardien mukaan testattujen työkalujen ilmoitettujen arvojen keskinäiseen vertailuun. Värinäpäästötasoa voidaan käyttää altistumisen alustavassa arvioinnissa. Ilmoitetut arvot eivät ole riittäviä käytettäväksi riskiarviointeihin, ja eri työpaikoilla mitatut arvot saattavat olla korkeampia. Yksittäisen käyttäjän kokemat todelliset altistumisarvot ja haittariski ovat ainutkertaisia ja riippuvat käyttäjän työskentelytavasta, työkapaleesta ja työasemasta samoin kuin käyttäjän altistumisajasta ja fyysisestä kunnosta.

Me, **Ets Georges Renault**, emme ole vastuussa ilmaistujen arvojen käytöstä syntyvistä seuraamuksista, todellista altistumista vastaavien arvojen sijaan, työpaikan tilanteen yksittäisessä riskiarvioinnissa, jota emme voi hallita.

Tämä työkalu voi aiheuttaa käsien ja käsivarsien värisemistä, jos sitä ei käytetä oikealla tavalla. Käsivärinää (hand-arm vibration) koskeva EU-opas löytyy osoitteesta <http://www.pneurop.eu/index.php> valitsemalla 'Tools' ja sitten 'Legislation'.

Suosittamme säännöllisiä terveystarkastuksia värinäaltistuksen aiheuttamien, värinäsaarauteen viittaavien oireiden havaitsemiseksi ajoissa, jotta työnohjauksella ja työympäristöön vaikuttavilla toimilla voidaan estää oireiden paheneminen tulevaisuudessa.

- ❗ Jos tämä laite on tarkoitettu kiinteisiin sovelluksiin: Melupäästöarvot ovat ohjeellisia koneenrakentajaa varten. Koko koneen melu- ja värinäpäästötiedot on ilmoitettava koneen käyttöohjeessa.

WEEE

Tietoja koskien **Sähkö- ja elektroniikkalaiteromuja** (WEEE):

Tämä tuote ja sen tiedot noudattavat WEEE-direktiivin/asetusten vaatimuksia (2012/19/EU) ja sitä on käsiteltävä direktiivin/asetusten mukaisesti.

Tuotteeseen on merkitty seuraava symboli:



Tuotteet, jotka on merkitty pyörillä varustetulla jäteastiasymbolilla, jonka yli on vedetty risti, sisältävät osia, jotka täytyy käsitellä WEEE-direktiivin/asetusten mukaisesti. Koko tuote tai WEEE-osat voidaan lähettää käsiteltäväksi "Asiakaskeskukseesi".

Tietoa REACH-asetuksen artiklasta 33

Euroopan REACH-asetus (EU) N:o 1907/2006 kemikaalien rekisteröinnistä, arvioinnista, lupamenettelyistä ja rajoituksista määrittelee muun muassa toimitusketjun viestintään liittyviä velvoitteita. Tiedonantovelvoite koskee myös tuotteita, jotka sisältävät niin sanottuja erityistä huolta aiheuttavia aineita (ns. ehdokasluettelon aineita). 27. kesäkuuta 2018 tähän ehdokasluetteloon lisättiin lyijymetalli (CAS-numero 7439-92-1).

Yllä olevaa noudattaen haluamme ilmoittaa, että jotkut sähköiset ja mekaaniset komponentit tuotteessa saattavat sisältää lyijymetallia. Tämä on aineiden rajoittamista koskevan lainsäädännön mukaista ja perustuu RoHS-direktiivin (2011/65/EU) poikkeuksiin. Lyijymetalli ei vuoda eikä mutoidu tuotteesta normaalin käytön aikana, ja lyijymetallipitoisuus valmiissa tuotteessa on huomattavasti alle sovellettavan kynnysarvon. Ota huomioon paikalliset vaatimukset lyijyn hävittämiselle tuotteen käyttöänsä lopussa.

Alueelliset vaatimukset

⚠️ VAROITUS

Tuote voi altistaa käyttäjän kemikaaleille, kuten lyijylle, jonka Kalifornian osavaltiossa tiedetään aiheuttavan syöpää ja synnynnäisiä epämuodostumia tai muuta lisääntymishaittaa. Katso lisätietoja osoitteesta

<https://www.p65warnings.ca.gov/>

Turvallisuus

ÄLÄ HÄVITÄ – ANNETTAVA KÄYTTÄJÄLLE

VAROITUS Kaikkia paikallisia turvallisuusohjeita koskien asennusta, käyttöä ja huoltoa on aina noudatettava.

Käyttötiedote

- Vain ammattikäyttöön.
- Tätä tuotetta ja sen lisälaitteita ei saa muuttaa millään tavalla.
- Älä käytä tuotetta, jos se on vaurioitunut.
- Jos tuotteen tietojen tai vaarasta varoittavat kyltit eivät ole enää selvästi luettavissa tai irtoavat, ne on vaihdettava välittömästi.
- Vain pätevä henkilö saa asentaa, käyttää ja huoltaa tuotetta teollisuusympäristössä.

Käyttötarkoitus

Tuote on suunniteltu kierteisten kiinnikkeiden asennukseen ja irrotukseen puusta, metallista tai muovista. Muu käyttö kielletty. Vain ammattikäyttöön.

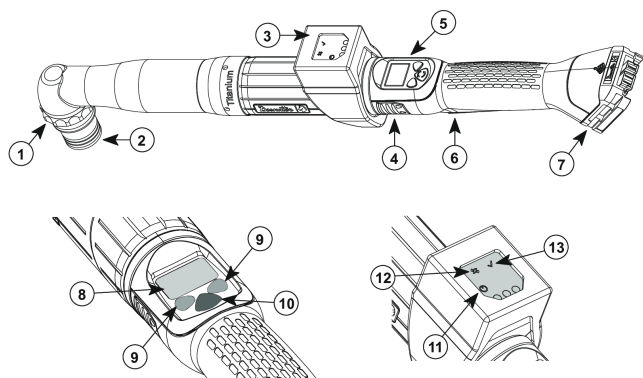
Käytä vain seuraavia Desoutter-akkuja.

- Akku 18 V 2,5 Ah, osanumero 6158132660
- Akku 36 V 2,5 Ah, osanumero 6158132670

Akut saa ladata **vain** Desoutter-akkulaturilla (6158132700). Katso täydelliset ohjeet akkulaturin turvallisuusohjeista (6159925310) ja tuoteohjeista, jotka ovat saatavissa useilla kielillä <https://www.desouttertools.com/resource-centre>

Tuotekohtaiset ohjeet

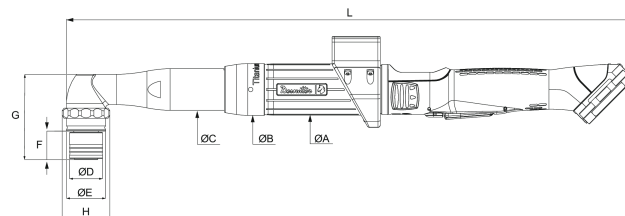
Tuotteen kuvaus



- 1 Asennussovitin Crowfootille
- 2 Pikairrotettava lähtö
- 3 QR-lisävarustelukija
- 4 LED-merkkivalot
- 5 Näyttö ja painikkeet
- 6 Liipaisin
- 7 Akun liitäntä
- 8 Näyttö
- 9 Ohjelmointipainikkeet

- 10 Suunnanvaihtopainike
- 11 Merkkivalo, joka osoittaa, että lisävaruste on kytketty päälle.
- 12 Luku/kirjoitus käynnissä
- 13 Määritetty Pset on valmis.

Mitat (mm)



Malli	L	ØA	ØB
EABA26-560-QRX	496	46	46
EABA32-410-QRX	496	46	46
EABA45-330-QRX	506	46	46
EABA50-450-QRX	546	46	46
EABA60-370-QRX	559	46	58
EABA75-300-QRX	582	46	58
EABA95-240-QRX	582	46	58

Malli	ØC	D	E
EABA26-560-QRX	37	25	28
EABA32-410-QRX	37	25	28
EABA45-330-QRX	37	30	35
EABA50-450-QRX	37	30	35
EABA60-370-QRX	41	33	40
EABA75-300-QRX	49	34	43
EABA95-240-QRX	49	34	43

Malli	F	G	H
EABA26-560-QRX	22	68	35
EABA32-410-QRX	22	68	35
EABA45-330-QRX	25	76	44
EABA50-450-QRX	25	76	44
EABA60-370-QRX	27	85	49
EABA75-300-QRX	28	88	52
EABA95-240-QRX	28	88	52

Yleinen asennusturvallisuus

Asennustyöt täytyy aina antaa pätevän ammattihenkilön tehtäväksi.

Ripusta työkalu turvallisesti esimerkiksi tasapainottimen avulla. Kun käytät ripustusiestä, varmista, että se on hyvässä kunnossa ja oikein kiinnitetty.

Johdolliset työkalut: Liitä järjestelmä aina maadoitettuun pistorasiaan. Varmista aina, että verkkovirtapistoke on irrotettu ja ohjain kytketty pois päältä ennen työkalukaapelin liittämistä ja irrottamista.

Yleinen käyttöturvallisuus

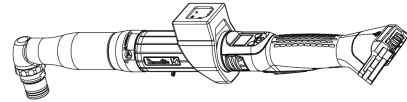
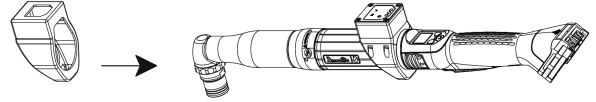
- Älä käytä käsineitä kiinni tarttumisen vaaran vuoksi.
- **Varaudu reaktiomomenttiin, joka syntyy liitosta kiristettäessä / avattaessa.** Tue aina työkalun kahvaa tukevasti vastakkaisessa suunnassa karan pyörimissuuntaan nähden vähentääksesi äkkinäisen vääntöreaktion vaikutusta loppukiristuksen ja alkulöysemisen aikana.
- Älä koskaan pidä kiinni koneen mekaanisesta ulostulosta, hylsystä tai ulostulon jatkeesta.
- Käyttäjien ja huoltajien on pystyttävä fyysisesti käsittelemään työkalun kokoa, painoa ja voimaa.
- Jos mahdollista, käytä tukivartta reaktiomomentin vaimentamiseen. Jos se ei ole mahdollista, suorissa työkaluissa ja pistoolikahvaisissa laitteissa suositellaan käytettäväksi sivukahvoja ja kulmamutterinvääntimissä reaktiotankoja. Suosituksena on käyttää jotakin tapaa reaktiomomentin vaimentamiseen yli 4 Nm:ssä (3 lbf.ft) suorissa työkaluissa, yli 10 Nm:ssä (7,5 lbf.ft) pistoolikahvaisissa työkaluissa ja yli 60 Nm:ssä (44 lbf.ft) kulmamutterinvääntimissä.
- Yli- tai alikiristetyistä kliinnityksistä voi aiheutua vakava loukkaantuminen. Tiettyä vääntömomenttia vaativat asennukset täytyy tarkistaa käyttämällä vääntömomentin mittaria. Niin sanotut "naksahdelevat" momenttiavaimet eivät tarkista mahdollisesti vaarallisia ylikiristyksiä. Yli- tai alikiristetyt kiinnitykset voivat murtua, löystyä tai irrota. Irronneet osat voivat sinkoutua ulos.
- Käytä ainoastaan hyväkuntoisia voima- tai iskuhylsyjä. Älä koskaan käytä käsivääntöisiä hylsyjä.
- Kun sähkötyökalua käytetään, käyttäjä saattaa tuntea epä mukavuutta käsissä, käsivarsissa, hartioissa, niskassa ja muissa kehonosissa. Vaihtelee sopivia asentoja työpäivän aikana, seiso tukevassa työasennossa ja vältä hankalia tai tasapainottomia työasentoja.
- Toistuvat liikkeet, hankala työasento ja värinä voivat vahingoittaa käsiä tai käsivarsia. Jos havaitset tunnotomuutta, pistelyä, kipua tai ihon kalpenemista, keskeytä työkalun käyttö ja ota yhteys lääkäriin.
- Ole varovainen työskennellessäsi ahtaissa tiloissa. Varo käsien joutumista puristuksiin laitteen ja työestetävän kappaleen väliin.
- Voimakkaat äänet voivat aiheuttaa pysyviä kuulovaurioita. Käytä työnantajan tai työterveys- ja työturvallisuusmääräysten suosittelemia kuulosuojaimia.
- Varmista, että työestetävä kappale on kiinnitetty kunnolla.
- Noudata erityistä varovaisuutta vieraassa työympäristössä. Tiedosta työskentelyn mahdollisesti aiheuttamat vaaratilanteet. Tätä työkalua ei ole eristetty suojaamaan sähkötapaturmilta sen koskettaessa sähkövirralähteitä.

Reaktiotangon kanssa käytettävät työkalut: Älä pidä kätstäsi vastinvarren päällä tai sen läheisyydessä, työkalun ollessa käytössä. Huomioi karan pyörimissuuntaa ennen työkalun käynnistämistä, sillä reaktivoima saattaa toimia odottamattomaan suuntaan, jolloin murskautumisvammojen vaara on olemassa.

Työkalut, joissa on kytkin: Tarkista oikea toiminta heti kytkimen säätämisen jälkeen.

Suojausten asettaminen lukijaan

- ① Suosittelemme pakkauksessa toimitetun suojuksen asettamista paikoilleen lukijan suojaamiseksi iskuilta ja vaurioilta.



Liu'uta suojus työkaluun.

Paina sitä voimakkaasti lukijan päälle.

Akun liittäminen



Laita akku työkalun edestä tai takaa, kunnes lukitusääni kuuluu selvästi.

Työkalussa ei ole virtakytkintä: työkalu on käyttövalmis heti, kun akku on kiinnitetty.

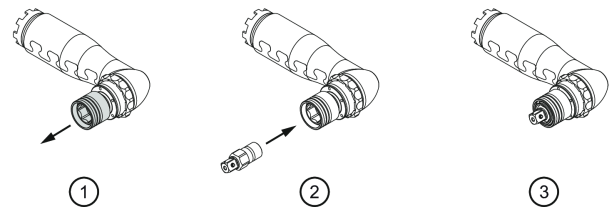
Kun työkalun virta kytkeytyy, työkalun LED-valot vilkkuvat. **HUOMIO** Akkuja koskevia käyttösuosituksia. Pidennä akun käyttöikää.

- Irrota akku, kun työkalua ei käytetä.

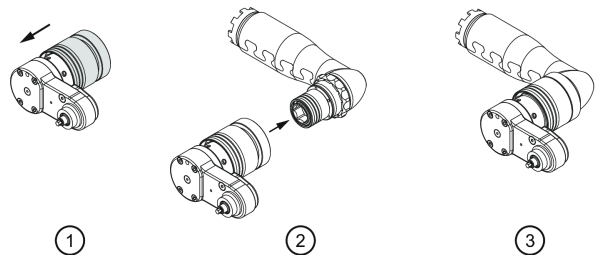
Älä jätä akkua laturiin, kun laturiin ei tule virtaa.

Lisävarusteiden liittäminen

Istukka



Crowfoot



Laita lisävaruste pikairrotettavaan lähtöön kuvan mukaisesti ja määritä Pset siihen.

Työkalun käynnistäminen

Laita työkaluun sopiva hylsy.

Valitse sopiva Pset.

Pitele työkalua kahvasta ja aseta kiristettävään kiinnikkeeseen.

VAROITUS Loukkaantumisvaara

Koska reaktiovoima kasvaa suhteessa kiristysmomenttiin, on olemassa vaara, että käyttäjä loukkaantuu vakavasti työkalun odottamattoman toiminnan seurauksena.

- Varmista, että työkalu on täydessä toimintakunnossa ja järjestelmä ohjelmoitu oikein.

Käynnistä työkalu liipaisinta painamalla.

Pyörimissuunnan vaihtaminen



1 Paina suunnanvaihtopainiketta

Paina tätä painiketta.

Punainen ja vihreä LED-valo vilkkuvat vuorotellen.

Aseta työkalu kiinnikkeeseen ja paina liipaisinta.

Yleinen huollon ja ylläpidon turvallisuus

Pida ohjain aina sammutettuna huollon aikana välttääksesi odottamaton käynnistyminen.

Huoltotyöt täytyy aina antaa pätevän ammattihenkilön tehtäväksi.

Puhdistusohjeet

Puhdista osat kostealla liinalla. Käytä vain vettä, liuotainaineita sisältäviä puhdistusaineita ei tule käyttää.

Ota yhteyttä Desoutter -huoltomekaanikkoon kysyäksesi omalle työkalullesi sopivat ajantasaiset puhdistussuosituksen.

Yleiset sähkötyökalujen turvallisuutta koskevat varoitukset

VAROITUS Tutustu kaikkiin tämän sähkötyökalun mukana tulleisiin turvallisuusvaroituksiin, ohjeisiin, kuviin ja teknisiin tietoihin.

Jos kaikkia alla annettuja ohjeita ei noudateta, seurauksena voi olla sähköisku, tulipalo ja/tai vakava loukkaantuminen.

Säilytä kaikki varoitukset ja ohjeet vastaisen varalle.

Varoituksissa käytetty termi "sähkötyökalu" viittaa verkkovirralla toimivaan (johdolliseen) sähkötyökaluun tai akkukäyttöiseen (johdottomaan) sähkötyökaluun.

Työskentelyalueen turvallisuus

- **Pidä työskentelyalue siistinä ja hyvin valaistuna.** Sotkuiset ja pimeät paikat altistavat tapaturmille.
- **Älä käytä sähkötyökaluja räjähdysriskissä ympäristöissä, kuten paikoissa, joissa on herkästi syntyviä nesteitä, kaasuja tai pölyä.** Sähkötyökaluista syntyy kipinöitä, jotka voivat sytyttää pölyn tai höyryt.
- **Pidä lapset ja sivustakatsojat poissa sähkötyökalua käyttäessäsi.** Voit menettää työkalun hallinnan keskeytymisen häiriintyessä.

Sähköturvallisuus

- **Sähkötyökalujen pistokkeiden täytyy sopia pistorasiaan. Älä tee pistokkeeseen koskaan mitään muutoksia. Älä käytä sovitinpistokkeita maadoitettujen sähkötyökalujen kanssa.** Muuntelemattomat pistokkeet ja oikeanlaiset pistorasiat vähentävät sähköiskun vaaraa.
- **Vältä koskemista maadoitettuihin pintoihin, kuten putkiin, lämpöpattereihin, liesiin ja jääkaappeihin.** Sähköiskun vaara kasvaa, jos kehosi maadoituu.
- **Älä altista sähkötyökaluja sateelle tai märille olosuhteille.** Sähkötyökaluun pääsevä vesi lisää sähköiskun vaaraa.
- **Älä käsittele johtoa kovakouraisesti. Älä käytä johtoa sähkötyökalun kantamiseen, vetämiseen tai pistorasiasta irrottamiseen. Pidä johto poissa kuumuudesta, öljystä, terävistä reunoista ja liikkuvista osista.** Vahingoittuneet tai sotkeutuneet johdot lisäävät sähköiskun vaaraa.
- **Kun käytät sähkötyökalua ulkona, käytä ulkokäyttöön soveltuvaa jatkojohtoa.** Ulkokäyttöön soveltuvan johdon käyttö vähentää sähköiskun vaaraa.
- **Jos sähkötyökalun käyttöä kosteassa tilassa ei voida välttää, käytä vikavirtasuojattua virtalähdettä.** Vikavirtasuojan käyttö vähentää sähköiskun vaaraa.

Henkilökohtainen turvallisuus

- **Pysy valppaana, mieti, mitä olet tekemässä, ja käytä maalaisjärkeä sähkötyökalua käyttäessäsi. Älä käytä sähkötyökalua, kun olet väsynyt tai huumeiden, alkoholin tai lääkkeen vaikutuksen alainen.** Hetkellinenkin tarkkaamattomuus sähkötyökaluja käytettäessä voi johtaa vakavaan henkilövahinkoon.
- **Käytä henkilönsuojaimia. Käytä aina silmiensuojainta.** Olosuhteiden mukaiset suojavarusteet, kuten pölysuojanaamari, liukumattomat turvakengät, kypärä ja kuulosuojain vähentävät henkilövahinkoja.
- **Estä tahaton käynnistyminen. Varmista, että kytkin on pois päältä -asennossa ennen kuin liität työkalun virtalähteeseen ja/tai akkuun tai nostat tai kannat sitä.** Sähkötyökalujen kantaminen sormi kytkimellä tai sähkötyökalun kytkeminen virtalähteeseen kytkimen ollessa päällä-asennossa altistaa tapaturmille.
- **Irrota säätöavain tai -väänin ennen sähkötyökalun päälle kytkemistä.** Väänin tai avaimen jättäminen kiinni sähkötyökalun pyörivään osaan voi johtaa henkilövahinkoon.
- **Älä kurottele. Säilytä aina tukeva jalansija ja tasapaino.** Näin sähkötyökalu pysyy paremmin hallinnassa odottamattomissa tilanteissa.

Safety Information

- **Pukeudu asianmukaisesti. Älä käytä rokkuvia vaatteita tai koruja. Pidä hiukset ja vaateus erillään liikkuvista osista.** Roikkuvat vaatteet, korut tai pitkät tukat voivat jäädä kiinni liikkuviin osiin.
- **Jos laite on tarkoitettu liitettäväksi pölyn poisto- tai keräysjärjestelmään, varmista, että järjestelmä liitetään ja sitä käytetään oikein.** Pölynkeräys voi vähentää pölyyn liittyviä vaaroja.
- **Vaikka tunsit työkalut hyvin, koska käytät niitä usein, älä ole liian huoleton ja jätä piittaamatta työkalun turvallisuusperiaatteista.** Varomattomuus voi aiheuttaa sekunnin murto-osissa vakavia henkilövahinkoja.
- **Pidä sähkötyökalusta kiinni eristetyistä tartuntapinnoista, kun suoritat toimia, joissa kiinnike saattaa osua piilossa oleviin johtoihin tai sen omaan johtoon.** Kiinnikkeiden osuminen jännitteeseen johtoon voi tehdä sähkötyökalun paljastuneista metalliosista jännitteiset ja antaa käyttäjälle sähköiskun.

Sähkötyökalujen käyttö ja hoito

- **Älä käytä sähkötyökalua liialla voimalla. Valitse sähkötyökalu käyttökohteen mukaan.** Oikealla sähkötyökalulla teet työn paremmin ja turvallisemmin asianmukaisella voimalla.
- **Älä käytä sähkötyökalua, jos se ei kytkeydy päälle ja pois kytkimestä.** Sähkötyökalu, jota ei voi ohjata kytkimestä, on vaarallinen ja täytyy korjata.
- **Irrota pistoke virtalähteestä ja/tai irrota akku, jos se on irrotettavissa, ennen kuin teet mitään säätöjä, vaihdat lisävarusteita tai laitat sähkötyökalun säilytykseen.** Nämä ennakoivat turvatoimet vähentävät vaaraa, että työkalu käynnistyisi vahingossa.
- **Kun sähkötyökalua ei käytetä, säilytä se poissa lasten ulottuvilta. Älä anna sellaisten henkilöiden käyttää työkalua, jotka eivät tunne sitä tai näitä ohjeita.** Sähkötyökalut voivat olla vaarallisia kouluttamattomien käyttäjien käsissä.
- **Pidä sähkötyökalut ja lisävarusteet kunnossa.** Tarkasta, onko liikkuvissa osissa vääntymiä tai jumiutumista, onko osia rikkoutunut tai ilmeneekö jotain muuta sähkötyökalun toimintaan vaikuttavaa. **Jos sähkötyökalu on vioittunut, korjauta se ennen käyttöä.** Monet onnettomuudet johtuvat sähkötyökalujen huonosta kunnossapidosta.
- **Pidä leikkaustyökalut terävinä ja puhtaina.** Asianmukaisesti huolletut leikkaustyökalut, joissa on terävät leikkuureunat, jumiutuvat harvemmin ja ovat helpompia hallita.
- **Käytä sähkötyökalua, lisävarusteita, työkalun osia yms. tässä annettujen ohjeiden mukaisesti työskentelyolosuhteet ja suoritettava työ huomioon ottaen.** Sähkötyökalun käyttö muuhun kuin sen alkuperäiseen tarkoitukseen voi johtaa vaaratilanteeseen.
- **Pidä kahvat ja kiinnipitopinnat kuivina, puhtaina, öljyttöminä ja rasvattomina.** Liukkaat kahvat ja kiinnipitopinnat estävät työkalun turvallisen käsittelyn ja hallinnan odottamattomissa tilanteissa.

Akkutyökalujen käyttö ja hoito

- **Lataa vain valmistajan hyväksymällä laturilla.** Laturi, joka soveltuu tietyn tyyppisen akun lataamiseen, voi aiheuttaa tulipalon vaaran toisenlaisen akun kanssa käytettäessä.
- **Käytä sähkötyökaluja vain niille tarkoitettujen akkujen kanssa.** Minkään muun akun käyttö voi aiheuttaa loukkaantumisen- ja tulipalovaaran.
- **Kun akkua ei käytetä, pidä se erillään metalliesineistä, kuten paperiliittimistä, kolikoista, avaimista, nauloista, ruuveista ja muista metallisista pikkutavaroista, jotka voivat saada aikaan yhteyden navasta toiseen.** Akun napojen oikosulku voi aiheuttaa palovammoja tai tulipalon.
- **Jos akkua käsitellään väärin, siitä voi purkautua nestettä. Varo kosketusta nesteeseen. Jos nestettä vahingossa kosketetaan, huuhtelee vedellä. Jos nestettä joutuu silmiin, on lisäksi hakeuduttava lääkärin hoitoon.** Akusta purkautuva neste voi aiheuttaa ärsytystä tai palovammoja.
- **Älä käytä akkua tai työkalua, joka on vahingoittunut tai jota on muunneltu.** Vahingoittuneet tai muunnellut akut voivat toimia odottamattomalla tavalla ja aiheuttaa tulipalon, räjähdysten tai loukkaantumisvaaran.
- **Älä altista akkua tai työkalua tulelle tai hyvin korkealle lämpötilalle.** Altistuminen tulelle tai yli 130 °C:n lämpötilalle voi aiheuttaa räjähdysten.
- **Noudata kaikkia latausohjeita, äläkä lataa akkua tai työkalua lämpötilassa, joka rikkoo ohjeissa annettuja lämpötilarajoja.** Väärällä tavalla tai väärässä lämpötilassa lataaminen voi vahingoittaa akkua ja lisätä tulipalon vaaraa.

Huolto

- **Huollata sähkötyökalusi pätevällä korjaajalla vain identtisiä varaosia käyttäen.** Tämä varmistaa, että sähkötyökalu säilyy turvallisena.
- **Älä koskaan huolla vahingoittuneita akkuja.** Akkuja saa huoltaa vain valmistaja tai valtuutettu huoltoliike.

Merkit ja tarrat

Tuote on varustettu tärkeillä turvallisuus- ja tuotetietoja koskevilla kilvillä ja tarroilla. Kilpien ja tarrojen on aina oltava luettavissa. Uudet kilvet ja tarrat voidaan tilata varaosialueen avulla.



s011050

Hyödyllistä tietoa

Verkkosivusto

Tietoa yrityksemme tuotteista, lisälaitteista, varaosista ja julkaisuista on Desoutter -sivustolla.

Käy osoitteessa: www.desouttertools.com.

Tietoa asennusoppaista

Tarkemmat käyttöohjeet, asennus- ja päivitysoppaat ovat saatavilla osoitteessa <https://www.desouttertools.com/resource-centre>.

Tietoa varaosista

Räjätyskuvia ja varaosaluetteloita on saatavissa Service Linkin kautta osoitteesta www.desouttertools.com.

Alkuperäismaa

France

Käyttöturvallisuustiedotteet MSDS/SDS

Käyttöturvallisuustiedote kuvaa Desoutterin myymiä kemikaalituotteita.

Katso lisätietoja Desoutter in verkkosivustolta <https://www.desouttertools.com/legal/sds>.

Copyright

© Copyright 2022, Ets Georges Renault, 38 rue Bobby Sands, 44818 Saint Herblain, France

Kaikki oikeudet pidätetään. Sisällön tai sen osan luvaton käyttö tai kopiointi on kielletty. Se koskee erityisesti tavaramerkkejä, mallinimityksiä, osanumeroita ja piirustuksia. Käytä vain hyväksytyjä varaosia. Takuu tai tuotevastuu ei korvaa mitään vaurioita tai toimintahäiriöitä, jotka johtuvat muiden kuin hyväksytyjen varaosien käytöstä.

Τεχνικά δεδομένα

Τεχνικά δεδομένα

Τάση (V)

36 V 

Έξοδος μονάδας

Μοντέλο	Τύπος
EABA26-560-QRX	Έξοδος ταχείας απελευθέρωσης
EABA32-410-QRX	Έξοδος ταχείας απελευθέρωσης
EABA45-330-QRX	Έξοδος ταχείας απελευθέρωσης
EABA50-450-QRX	Έξοδος ταχείας απελευθέρωσης
EABA60-370-QRX	Έξοδος ταχείας απελευθέρωσης
EABA75-300-QRX	Έξοδος ταχείας απελευθέρωσης
EABA95-240-QRX	Έξοδος ταχείας απελευθέρωσης

Εύρος ροπής (Nm)

Μοντέλο	Ελάχ. / Ονομαστικό / Μέγ.
EABA26-560-QRX	5 / 24 / 26
EABA32-410-QRX	7 / 30 / 32
EABA45-330-QRX	9 / 40 / 45
EABA50-450-QRX	9 / 45 / 50
EABA60-370-QRX	10 / 55 / 60
EABA75-300-QRX	12 / 70 / 75
EABA95-240-QRX	19 / 90 / 95

Εύρος ροπής (ft.lb)


Μοντέλο	Ελάχ. / Ονομαστικό / Μέγ.
EABA26-560-QRX	1,12 / 5,40 / 5,85
EABA32-410-QRX	1,57 / 6,74 / 7,19
EABA45-330-QRX	2,02 / 8,99 / 10,12
EABA50-450-QRX	2,02 / 10,12 / 11,24
EABA60-370-QRX	2,25 / 12,36 / 13,49
EABA75-300-QRX	2,70 / 15,74 / 16,86
EABA95-240-QRX	4,27 / 20,23 / 21,36

Ονομαστική ταχύτητα (rpm)

Μοντέλο	
EABA26-560-QRX	560
EABA32-410-QRX	410
EABA45-330-QRX	330
EABA50-450-QRX	450
EABA60-370-QRX	370
EABA75-300-QRX	300
EABA95-240-QRX	240

Βάρος

Μοντέλο	(kg)	(lb)
EABA26-560-QRX	2,04	4,50
EABA32-410-QRX	2,04	4,50
EABA45-330-QRX	2,21	4,87
EABA50-450-QRX	2,49	5,49
EABA60-370-QRX	2,82	6,22
EABA75-300-QRX	3,42	7,54
EABA95-240-QRX	3,46	7,63

 Το βάρος δίνεται χωρίς τη μπαταρία.

Συνθήκες αποθήκευσης και χρήσης

Θερμοκρασία αποθήκευσης	-20 έως +70 °C (-4 έως +158 F)
Θερμοκρασία λειτουργίας	0 έως 45 °C (32 έως 113 F)
Υγρασία αποθήκευσης	0-95 % RH (χωρίς συμπύκνωση)

Safety Information

Υγρασία λειτουργίας	0-90 % RH (χωρίς συμπύκνωση)
Υψόμετρο έως	2000 m (6562 πόδια)
Χρησιμοποιείται σε περιβάλλον βαθμού ρύπανσης 2	
Μόνο για εσωτερική χρήση	

Προδιαγραφές ασύρματης επικοινωνίας

RFID 13,56 MHz

Συχνότητα	13,553 MHz - 13,567 MHz
Πεδίο-H	< 42 dBμΑ/m στα 10 m σύμφωνα με το ETSI EN 300 330 v2.1.1

Δηλώσεις

ευθύνη

Πολλά συμβάντα στο περιβάλλον λειτουργίας μπορούν να επηρεάσουν τη διαδικασία σύσφιξης και να απαιτήσουν επικύρωση των αποτελεσμάτων. Σύμφωνα με τα ισχύοντα πρότυπα ή/και τους κανονισμούς, με το παρόν σας ζητούμε να ελέγχετε την εγκατεστημένη ροπή στρέψης και την κατεύθυνση περιστροφής μετά από οποιοδήποτε συμβάν που μπορεί να επηρεάσει το αποτέλεσμα της σύσφιξης. Παραδείγματα τέτοιων συμβάντων περιλαμβάνουν, μεταξύ άλλων:

- αρχική εγκατάσταση του συστήματος εργαλείων
- αλλαγή μιας παρτίδας μερών, ενός ιμάντα, μιας παρτίδας κοχλιών, ενός εργαλείου, ενός λογισμικού, μιας διευθέτησης ή ενός περιβάλλοντος
- μεταβολή στις συνδέσεις αέρα ή στις ηλεκτρικές συνδέσεις
- μεταβολή στην εργονομία, τη διεργασία, τις διαδικασίες ή τις πρακτικές ποιότητας της γραμμής
- αλλαγή χειριστή
- οποιαδήποτε άλλη μεταβολή που επηρεάζει το αποτέλεσμα της διαδικασίας σύσφιξης

Ο έλεγχος πρέπει:

- Να επιβεβαιώσει ότι οι συνθήκες σύνδεσης δεν έχουν μεταβληθεί λόγω συμβάντων που μπορούν να τις επηρεάσουν.
- Να πραγματοποιηθεί μετά την αρχική εγκατάσταση, συντήρηση ή επισκευή του εξοπλισμού.
- Να γίνεται τουλάχιστον μία φορά ανά βάρδια ή με άλλη κατάλληλη συχνότητα.

ΔΗΛΩΣΗ ΣΥΜΜΟΡΦΩΣΗΣ ΕΕ

Εμείς, η **Ets Georges Renault**, 38 rue Bobby Sands, 44818 Saint Herblain, France, δηλώνουμε με αποκλειστική ευθύνη μας ότι το προϊόν (με ονομασία, τύπο και σειριακό αριθμό, βλ. εξώφυλλο) συμμορφώνεται με την/τις παρακάτω Οδηγία/ες:

2006/42/EK, 2011/65/EK, 2014/53/EE

Ισχύοντα εναρμονισμένα πρότυπα:

EN 62841-2-2 :2015+AC1 :2015 EN 61000-6-2 :2005 EN 61000-6-3 :2007+A1 :2011 EN 61326-2-3 :2006 EN 301 489-3 V2.1.1 EN 62311 :200

Οι αρχές μπορούν να ζητήσουν τις σχετικές τεχνικές πληροφορίες από:

Pascal ROUSSY, R&D Manager, 38 rue Bobby Sands, 44818 Saint Herblain, France

Saint-Herblain, 2021/09/13

Pascal ROUSSY, R&D Manager

Υπογραφή εκδότη

Έγγραφο δήλωση επιπέδου θορύβου & δονήσεων

- Επίπεδο ηχητικής ισχύος < 70 dB(A), αβεβαιότητα 3 dB(A), σύμφωνα με το EN 62841-2-2 : 2014.
- Συνολική τιμή δόνησης < 2.5 m/s², αβεβαιότητα 3 m/s², σύμφωνα με το EN 62841-2-2 : 2014.

Αυτές οι δηλωμένες τιμές έχουν ληφθεί από εργαστηριακές δοκιμές, με βάση τα δηλωμένα πρότυπα και είναι κατάλληλες για σύγκριση με τις δηλωμένες τιμές άλλων εργαλείων, τα οποία έχουν δοκιμαστεί με βάση τα ίδια πρότυπα. Το επίπεδο εκπομπών δονήσεων μπορεί να χρησιμοποιηθεί για μια προκαταρκτική εκτίμηση της έκθεσης. Αυτές οι δηλωμένες τιμές δεν επαρκούν για χρήση σε αξιολογήσεις κινδύνων και οι τιμές, οι οποίες έχουν μετρηθεί σε μεμονωμένους χώρους εργασίας, ενδέχεται να είναι υψηλότερες. Οι πραγματικές τιμές έκθεσης και ο κίνδυνος βλάβης διαφέρουν από χρήστη σε χρήστη και εξαρτώνται από τον τρόπο εργασίας, το υπό κατεργασία τεμάχιο και τον σχεδιασμό του σταθμού εργασίας, καθώς επίσης από τη χρονική διάρκεια της έκθεσης και τη σωματική κατάσταση του χρήστη.

Εμείς, **Ets Georges Renault**, δεν αναλαμβάνουμε καμία ευθύνη για τις συνέπειες που μπορεί να προκύψουν από τη χρήση των δηλωμένων τιμών, αντί για τιμές που αντιπροσωπεύουν την πραγματική έκθεση, για την αξιολόγηση κινδύνων σε χώρο εργασίας ο οποίος δεν βρίσκεται υπό τον έλεγχό μας.

Αυτό το εργαλείο μπορεί να προκαλέσει σύνδρομο χειρός-βραχίονα οφειλόμενο στους κραδασμούς αν δεν γίνει σωστή χρήση του. Μπορείτε να βρείτε έναν οδηγό της ΕΕ για τη διαχείριση των δονήσεων χειριού-βραχίονα μεταβαίνοντας στη διεύθυνση <http://www.pneurop.eu/index.php> και επιλέγοντας "Tools" (Εργαλεία) και κατόπιν "Legislation" (Νομοθεσία).

Συνιστούμε την τήρηση προγράμματος ιατρικής παρακολούθησης, για να αναγνωρίζονται τυχόν αρχικά συμπτώματα που ενδέχεται να σχετίζονται με την έκθεση σε δονήσεις, έτσι ώστε να είναι δυνατή η τροποποίηση των διαδικασιών διαχείρισης και να αποτρέπεται η πρόκληση μελλοντικών σωματικών βλαβών.

- ⓘ Αυτός ο εξοπλισμός προορίζεται για χρήση με σταθερές εφαρμογές:
Οι εκπομπές θορύβου παρέχονται στον υπεύθυνο για το στήσιμο του μηχανήματος, ως οδηγός. Τα στοιχεία ολοκληρωμένη μορφή του θα πρέπει να παρέχονται στο εγχειρίδιο οδηγιών του μηχανήματος.

ΑΗΗΕ

Πληροφορίες σχετικά με τα **Απόβλητα Ηλεκτρικού και Ηλεκτρονικού Εξοπλισμού** (ΑΗΗΕ):

Αυτό το προϊόν και οι πληροφορίες του πληρούν τις προϋποθέσεις της οδηγίας/του κανονισμού ΑΗΗΕ (2012/19/EU), και πρέπει να χρησιμοποιούνται σύμφωνα με την οδηγία/τον κανονισμό.

Το προϊόν φέρει το ακόλουθο σύμβολο:



Τα προϊόντα που φέρουν ένα σύμβολο διαγραμμένου κάδου απορριμμάτων και μια μόνο μαύρη ράβδο από κάτω, περιέχουν εξαρτήματα τα οποία πρέπει να χρησιμοποιηθούν σύμφωνα με την οδηγία/τον κανονισμό για τα ΑΗΗΕ. Το σύνολο του προϊόντος ή τα μέρη ΑΗΗΕ μπορούν να σταλούν στο "Κέντρο Εξυπηρέτησης Πελατών" για διαχείριση.

Πληροφορίες σχετικά με το Άρθρο 33 του κανονισμού REACH

Ο Ευρωπαϊκός Κανονισμός (ΕΕ) αριθ. 1907/2006 για την Καταχώριση, την Αξιολόγηση, την Αδειοδότηση και τους Περιορισμούς των Χημικών ουσιών (REACH) καθορίζει, μεταξύ άλλων, απαιτήσεις σχετικά με την επικοινωνία στην αλυσίδα εφοδιασμού. Η απαίτηση πληροφοριών ισχύει και για προϊόντα που περιέχουν τις λεγόμενες Άκρες Ανησυχαστικές Ουσίες («Κατάλογος Υποψηφίων»). Στις 27 Ιουνίου 2018 προστέθηκε στον Κατάλογο Υποψηφίων ο μεταλλικός μόλυβδος (CAS αριθ. 7439-92-1).

Σύμφωνα με τα ως άνω αναφερόμενα, αυτό σας ενημερώνει ότι ορισμένα ηλεκτρικά και μηχανικά εξαρτήματα του προϊόντος ενδέχεται να περιέχουν μεταλλικό μόλυβδο. Αυτό συμμορφώνεται με την ισχύουσα νομοθεσία περί περιορισμού ουσιών και βασίζεται σε νόμιμες εξαιρέσεις στην οδηγία RoHS (2011/65 / ΕΕ). Κατά τη διάρκεια της κανονικής χρήσης, ο μεταλλικός μόλυβδος δεν θα διαρρεύσει ή θα μεταλλαχθεί από το προϊόν και η συγκέντρωση του μεταλλικού μολύβδου στο πλήρες προϊόν είναι πολύ κάτω από το ισχύον όριο. Λάβετε υπόψη τις τοπικές απαιτήσεις σχετικά με τη διάθεση του μολύβδου στο τέλος του κύκλου ζωής του.

Περιφερειακές απαιτήσεις

⚠ ΠΡΟΕΙΔΟΠΟΙΗΣΗ

Αυτό το προϊόν μπορεί να σας εκθέσει σε χημικές ουσίες, συμπεριλαμβανομένου του μόλυβδου, ο οποίος είναι γνωστός στην πολιτεία της Καλιφόρνιας ότι προκαλεί καρκίνο και γενετικές ανωμαλίες ή άλλη αναπαραγωγική βλάβη. Για περισσότερες πληροφορίες επισκεφθείτε την ιστοσελίδα

<https://www.p65warnings.ca.gov/>

Ασφάλεια

Μην απορρίπτετε - δώστε στο χρήστη

- ⚠ **ΠΡΟΕΙΔΟΠΟΙΗΣΗ Όλοι οι τοπικά θεσμοθετημένοι κανόνες ασφαλείας σχετικά με την εγκατάσταση, τη λειτουργία και τη συντήρηση, πρέπει να τηρούνται συνεχώς.**

Δήλωση Χρήσης

- Αποκλειστικά για επαγγελματική χρήση.
- Αυτό το προϊόν και τα εξαρτήματά του δεν πρέπει να τροποποιηθούν με κανένα τρόπο.
- Μην χρησιμοποιείτε αυτό το προϊόν εάν έχει υποστεί ζημιά.
- Εάν τα δεδομένα του προϊόντος ή οι προειδοποιητικές ενδείξεις κινδύνου στο προϊόν παύσουν να είναι ευανάγνωστες ή αποσυνδεδεμένες, αντικαταστήστε χωρίς καθυστέρηση.
- Το προϊόν πρέπει να εγκαθίσταται, να λειτουργεί και να συντηρείται μόνο από πρόσωπα με τα κατάλληλα προσόντα σε βιομηχανικό περιβάλλον συναρμολόγησης.

Προβλεπόμενη χρήση

Αυτό το προϊόν έχει σχεδιαστεί για την εγκατάσταση και την αφαίρεση των συνδέσεων μετά σπειρώματος από ξύλο, μέταλλο ή πλαστικό. Δεν επιτρέπεται άλλη χρήση. Για επαγγελματική χρήση μόνο.

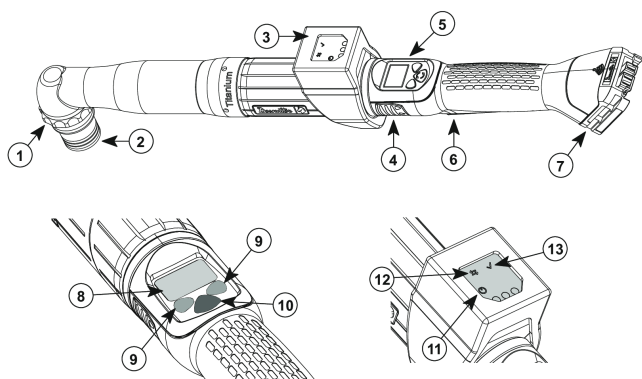
Χρησιμοποιήστε μόνο τις ακόλουθες συστοιχίες μπαταριών Desoutter.

- Συστοιχία μπαταριών 18 V 2.5 Ah, αριθμός εξαρτήματος 6158132660
- Συστοιχία μπαταριών 36 V 2.5 Ah, αριθμός εξαρτήματος 6158132670

Οι συστοιχίες μπαταριών πρέπει να φορτίζονται με τον φορτιστή μπαταριών Desoutter (6158132700) **μόνο**. Για πλήρεις οδηγίες, ανατρέξτε στις οδηγίες ασφαλείας του φορτιστή μπαταρίας (6159925310) και στις οδηγίες προϊόντος που διατίθενται σε πολλές γλώσσες στο <https://www.desouttertools.com/resource-centre>

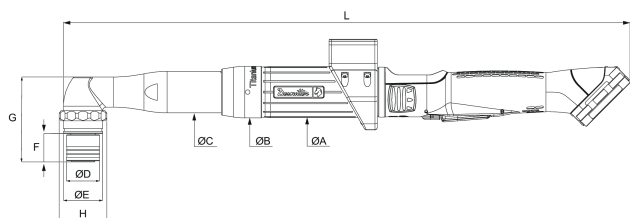
Ειδικές οδηγίες προϊόντος

Περιγραφή προϊόντος



- 1 Προσαρμογέας στήριξης για Crowfoot
- 2 Έξοδος γρήγορης απελευθέρωσης
- 3 QR εξάρτημα ανάγνωσης
- 4 Αναφορά LED
- 5 Οθόνη και πλήκτρα
- 6 Πυροκροτητής
- 7 Αποτύπωμα μπαταρίας
- 8 Οθόνη
- 9 Κουμπιά προγραμματισμού
- 10 Κουμπί αντιστροφής
- 11 Δείκτης που δείχνει ότι το εξάρτημα είναι ενεργοποιημένο.
- 12 Ανάγνωση/γραφή σε εξέλιξη
- 13 Το καθορισμένο Pset είναι έτοιμο.

Διαστάσεις (mm)



Μοντέλο	L	ØA	ØB
EABA26-560-QRX	496	46	46
EABA32-410-QRX	496	46	46
EABA45-330-QRX	506	46	46
EABA50-450-QRX	546	46	46
EABA60-370-QRX	559	46	58
EABA75-300-QRX	582	46	58
EABA95-240-QRX	582	46	58

Μοντέλο	ØC	Δ	E
EABA26-560-QRX	37	25	28
EABA32-410-QRX	37	25	28
EABA45-330-QRX	37	30	35
EABA50-450-QRX	37	30	35

EABA60-370-QRX	41	33	40
EABA75-300-QRX	49	34	43
EABA95-240-QRX	49	34	43

Μοντέλο	ΣΤ	Z	H
EABA26-560-QRX	22	68	35
EABA32-410-QRX	22	68	35
EABA45-330-QRX	25	76	44
EABA50-450-QRX	25	76	44
EABA60-370-QRX	27	85	49
EABA75-300-QRX	28	88	52
EABA95-240-QRX	28	88	52

Γενική Ασφάλεια Εγκατάστασης

Απευθυνθείτε μόνο σε εξειδικευμένο προσωπικό.

Κρεμάστε το εργαλείο με ασφάλεια, για παράδειγμα, από ένα εξισορροπητή. Αν χρησιμοποιήσετε μοχλό ανάρτησης, βεβαιωθείτε πρώτα ότι βρίσκεται σε καλή κατάσταση και ότι στερεώθηκε σωστά.

Για τα εργαλεία με καλώδιο: Συνδέετε πάντοτε το σύστημα με γειωμένο ρευματοδότη. Να βεβαιώνετε πάντοτε ότι το βύσμα τροφοδοσίας είναι αποσυνδεδεμένο και ότι η μονάδα ελέγχου είναι απενεργοποιημένη πριν από κάθε σύνδεση ή αποσύνδεση του καλωδίου του εργαλείου.

Γενική Ασφάλεια Λειτουργίας

- Λόγω του κινδύνου εμπλοκής, μην φοράτε γάντια.
- Να είστε προετοιμασμένοι για τη δύναμη αντίδρασης που θα ασκηθεί κατά τη χρήση του εργαλείου. Να υποστηρίζετε πάντοτε με ασφάλεια τη χειρολαβή του εργαλείου, με κατεύθυνση αντίθετη προς την κατεύθυνση περιστροφής του άξονα, προκειμένου να ελαττώνεται η επίδραση της απότομης αντίδρασης ροπής κατά τη διάρκεια της τελικής σύσφιξης και της αρχικής χαλάρωσης.
- Μην κρατάτε ποτέ τον οδηγό, την υποδοχή ή την προεξοχή του οδηγού.
- Οι χειριστές και το προσωπικό συντήρησης πρέπει να είναι φυσικά ικανό να χειρίζεται τον όγκο, βάρος και δύναμη του εργαλείου.
- Αν είναι δυνατό, χρησιμοποιήστε ένα βραχίονα ανάρτησης για να απορροφήσει την αντίδραση στρέψης. Αν αυτό δεν είναι δυνατό, οι πλαϊνές λαβές συνιστώνται για τα εργαλεία με ευθύ περίβλημα και με λαβή πιστολιού· οι ράβδοι αντίδρασης συνιστώνται για τους γωνιακούς συστροφείς παξιμαδιών. Συνιστάται να χρησιμοποιήσετε ένα μέσο για την απορρόφηση της ροπής στρέψης αντίδρασης που υπερβαίνει τα 4 Nm (3 lbf.ft) για τα εργαλεία με ευθύ περίβλημα, που υπερβαίνει τα 10 Nm (7,5 lbf.ft) για τα εργαλεία με λαβή πιστολιού και που υπερβαίνει τα 60 Nm (44 lbf.ft) για τους γωνιακούς συστροφείς παξιμαδιών.
- Δύναται να προκληθούν σοβαροί τραυματισμοί από την υπερβολική στρέβλωση ή μη στρέβλωση σε συνδετήρες. Τα συστήματα που απαιτούν σύσφιξη σε

συγκεκριμένη τιμή ροπής στρέψης, πρέπει να ελέγχονται με τη βοήθεια δυναμομετρικού κλειδιού. Τα δυναμομετρικά κλειδιά τύπου «κλικ» δεν ελέγχουν για ενδεχομένως επικίνδυνες καταστάσεις υπερβολικής σύσφιξης. Οι σφιχτοί ή οι χαλαροί συνδετήρες μπορούν να σπάσουν, να χαλαρώσουν ή να ξεχωρίσουν. Τυχόν απελευθερωμένα συγκροτήματα μπορεί να εκτοξευτούν.

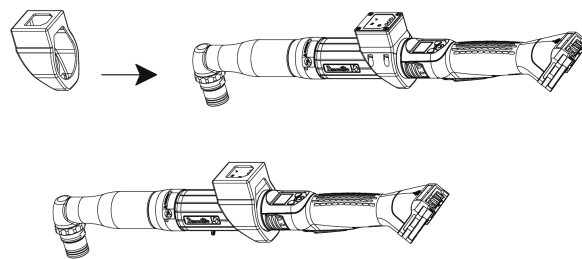
- Χρησιμοποιείτε μόνο υποδοχές σε καλή κατάσταση που τοποθετούνται ηλεκτρικά ή με πρόσκρουση. Μη χρησιμοποιείτε υποδοχές που τοποθετούνται με το χέρι.
- Όταν χρησιμοποιείται ηλεκτρικό εργαλείο, ο χειριστής είναι δυνατό να νιώσει δυσκολία στα χέρια, τους βραχίονες, τους ώμους, τον αυχένα ή σε άλλες περιοχές του σώματος. Διαλέγετε μεταξύ των κατάλληλων στάσεων καθ' όλη τη διάρκεια της ημέρας εργασίας, διατηρείτε μια ασφαλή βάση και αποφεύγετε τις δύσκολες ή μη ισορροπημένες στάσεις.
- Οι επαναλαμβανόμενες κινήσεις κατά την εργασία, οι ασυνήθιστες θέσεις και η έκθεση σε δονήσεις μπορεί να είναι βλαβερή στα χέρια και τους βραχίονες. Εάν παρουσιαστεί μούδιασμα, μυρμηκίαση ή άσπρισμα του χρώματος του δέρματος, σταματήστε τη χρήση του εργαλείου και συμβουλευτείτε έναν ιατρό.
- Προσέχετε όταν εργάζεστε σε περιορισμένους χώρους. Προσέχετε για να αποφύγετε τη σύνθλιψη των χεριών σας ανάμεσα στο εργαλείο και το υπό επεξεργασία αντικείμενο.
- Υψηλές στάθμες θορύβων μπορεί να προκαλέσουν μόνιμη απώλεια ακοής. Χρησιμοποιείτε προστατευτικά για τα αυτιά όπως συνιστάται από τον εργοδότη σας ή τους κανονισμούς υγείας και ασφαλείας του χώρου εργασίας.
- Φροντίστε το αντικείμενο εργασίας να στερεώνεται με ασφάλεια.
- Συνεχίστε με προσοχή σε περιβάλλοντα με τα οποία δεν είστε εξοικειωμένος/η. Να έχετε επίγνωση των ενδεχόμενων κινδύνων που δημιουργούνται από την εργασιακή σας δραστηριότητα. Αυτό το εργαλείο δεν είναι μονωμένο για περιπτώσεις επαφής με πηγές ηλεκτρικής ενέργειας.

Εργαλεία που χρησιμοποιούνται μαζί με μια μπάρα αντίδρασης: Μην βάζετε ποτέ το χέρι σας δίπλα ή κοντά στην δοκό αντίδρασης ενώ το εργαλείο βρίσκεται σε λειτουργία. Λάβετε υπόψη την περιστροφική κατεύθυνση του άξονα πριν από την ενεργοποίηση του εργαλείου, καθώς η δύναμη αντίδρασης ενδέχεται να ασκηθεί προς απρόσμενη κατεύθυνση, επιφέροντας τραυματισμούς.

Για εργαλεία που περιέχουν συμπλέκτη: Αμέσως μόλις προσαρμόσετε το συμπλέκτη, ελέγξτε ως προς τη σωστή λειτουργία.

Πώς να τοποθετήσετε το κάλυμμα στη συσκευή ανάγνωσης

- ❗ Συνιστάται ένθερμα να τοποθετήσετε το κάλυμμα που παρέχεται στη συσκευασία για να προστατεύσετε τη συσκευή ανάγνωσης από κραδασμούς και ζημιές.



Σύρετε το κάλυμμα στο εργαλείο. Σπρώξτε το δυνατά πάνω από τη συσκευή ανάγνωσης.

Τοποθέτηση της μπαταρίας



Τοποθετήστε την μπαταρία μπροστά ή πίσω από το εργαλείο μέχρι να ακούγεται καθαρά ένας ήχος κλειδώματος.

Δεν υπάρχει διακόπτης ON/OFF: το εργαλείο είναι έτοιμο να λειτουργήσει μόλις τοποθετηθεί μια μπαταρία.

Όταν το εργαλείο είναι ενεργοποιημένο, οι λυχνίες LED του εργαλείου αναβοσβήνουν.

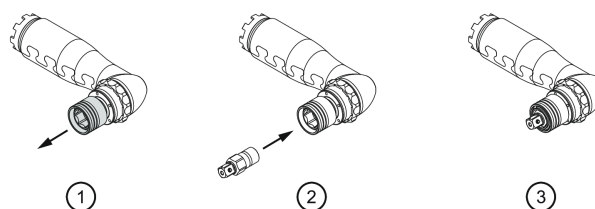
ΕΠΙΣΗΜΑΝΣΗ Συστάσεις χρήσης για μπαταρίες
Εξασφαλίστε μεγαλύτερη διάρκεια ζωής της μπαταρίας.

- ▶ Αποσυνδέστε την μπαταρία όταν το εργαλείο δεν χρησιμοποιείται.

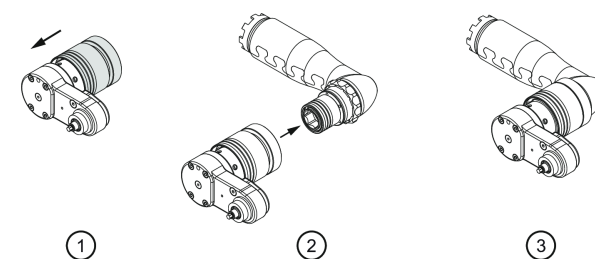
Μην αφήνετε τη μπαταρία στο φορτιστή όταν η τροφοδοσία του φορτιστή είναι απενεργοποιημένη.

Πώς να συνδέσετε εξαρτήματα

Πρίζα



Crowfoot



Συνδέστε ένα εξάρτημα στην έξοδο γρήγορης απελευθέρωσης όπως φαίνεται και αντιστοιχίστε ένα Pset σε αυτό.

Εκκίνηση του εργαλείου

Τοποθετήστε το εργαλείο με μια κατάλληλη υποδοχή.

Safety Information

Επιλέξτε το κατάλληλο Pset.

Κρατήστε το εργαλείο με τη λαβή και εφαρμόστε στον σφιγκτήρα που πρέπει να σφίξετε.

⚠ ΠΡΟΕΙΔΟΠΟΙΗΣΗ Κίνδυνος τραυματισμού

Καθώς η δύναμη αντίδρασης αυξάνεται ανάλογα με τη ροπή σύσφιξης, υπάρχει ο κίνδυνος σοβαρού τραυματισμού του χειριστή ως αποτέλεσμα της απροσδόκητης συμπεριφοράς του εργαλείου.

- ▶ Βεβαιωθείτε ότι το εργαλείο βρίσκεται σε άψογη κατάσταση λειτουργίας και ότι το σύστημα έχει προγραμματιστεί σωστά.

Πατήστε τον πυροκροτητή για να ξεκινήσει το εργαλείο.

Πώς να αντιστρέψετε την περιστροφή



1 Χρησιμοποιήστε το κουμπί αντίστροφης

Πατήστε αυτό το κουμπί.

Τα κόκκινα και πράσινα LED αναβοσβήνουν εναλλακτικά.

Εφαρμόστε το εργαλείο στο σφιγκτήρα και πιέστε τον πυροκροτητή.

Γενική Επισκευή και Ασφάλεια Συντήρησης

Κατά τη διάρκεια της συντήρησης, ως προς την αποφυγή της απροσδόκητης εκκίνησης, διατηρείτε πάντα τον ελεγκτή απενεργοποιημένο.

Απευθυνθείτε για σέρβις μόνο σε εξειδικευμένο προσωπικό.

Οδηγίες Καθαρισμού

Καθαρίστε τα μέρη με ένα υγρό πανί. Χρησιμοποιείτε μόνο νερό, δεν πρέπει να χρησιμοποιούνται καθαριστικά που περιέχουν διαλύτες.

Επικοινωνήστε με τον τεχνικό προσωπικό υποστήριξης της Desoutter για συμβουλές καθαρισμού σύμφωνα με τις τρέχουσες συστάσεις και για το συγκεκριμένο εργαλείο σας.

Γενικές προειδοποιήσεις ασφαλείας ηλεκτρικών εργαλείων

⚠ ΠΡΟΕΙΔΟΠΟΙΗΣΗ Διαβάστε όλες τις προειδοποιήσεις ασφαλείας, τις οδηγίες, τις εικόνες και τις προδιαγραφές που παρέχονται με αυτό το ηλεκτρικό εργαλείο.

Η μη τήρηση όλων των οδηγιών που αναφέρονται παρακάτω μπορεί να προκαλέσει ηλεκτροπληξία, πυρκαγιά και/ή σοβαρό τραυματισμό.

Αποθηκεύστε όλες τις προειδοποιήσεις και τις οδηγίες χρήσης για μελλοντική αναφορά.

Ο όρος «ηλεκτρικό εργαλείο» στις προειδοποιήσεις αναφέρεται στο μηχανοκίνητο εργαλείο (με καλώδιο) που λειτουργεί με ηλεκτρικό ρεύμα ή στο ηλεκτρικό εργαλείο που λειτουργεί με μπαταρία (χωρίς καλώδιο).

Ασφάλεια χώρου εργασίας

- **Κρατήστε το χώρο εργασίας καθαρό και καλά φωτισμένο.** Ακατάστατες ή σκοτεινές περιοχές προσκαλούν ατυχήματα.
- **Μην χρησιμοποιείτε ηλεκτρικά εργαλεία σε εκρήξιμες ατμόσφαιρες, όπως παρουσία εύφλεκτων υγρών, αερίων ή σκόνης.** Τα ηλεκτρικά εργαλεία δημιουργούν σπινθήρες που μπορεί να προκαλέσουν ανάφλεξη της σκόνης ή των καπνών.
- **Ενώ χειρίζεστε ένα ηλεκτρικό εργαλείο, κρατήστε μακριά τα παιδιά και τους παρενρισκομένους.** Η διάσπαση της προσοχής μπορεί να σας κάνει να χάσετε τον έλεγχο.

Ηλεκτρική ασφάλεια

- **Τα φισ των ηλεκτρικών εργαλείων πρέπει να ταιριάζουν με την πρίζα. Ποτέ μην τροποποιείτε το φισ με οποιονδήποτε τρόπο. Μην χρησιμοποιείτε προσαρμογείς βυσμάτων με γειωμένα ηλεκτρικά εργαλεία.** Τα μη τροποποιημένα βύσματα και οι αντίστοιχες εξόδους θα μειώσουν τον κίνδυνο ηλεκτροπληξίας.
- **Αποφύγετε την επαφή του σώματος με γειωμένες επιφάνειες, όπως σωλήνες, θερμαντικά σώματα, ηλεκτρικές κουζίνες και ψυγεία.** Υπάρχει αυξημένος κίνδυνος ηλεκτροπληξίας εάν το σώμα σας είναι γειωμένο.
- **Μην εκθέτετε τα ηλεκτρικά εργαλεία σε βροχή ή σε υγρές συνθήκες.** Το νερό που εισέρχεται σε ένα ηλεκτρικό εργαλείο αυξάνει τον κίνδυνο ηλεκτροπληξίας.
- **Μην καταχραστείτε το καλώδιο. Ποτέ μην χρησιμοποιείτε το καλώδιο για τη μεταφορά, το τράβηγμα ή την αποσύνδεση του ηλεκτρικού εργαλείου. Κρατήστε το καλώδιο μακριά από θερμότητα, λάδι, αιχμηρές άκρες ή κινούμενα μέρη.** Κατεστραμμένα ή μπερδεμένα καλώδια αυξάνουν τον κίνδυνο ηλεκτροπληξίας.
- **Όταν χρησιμοποιείτε ηλεκτρικό εργαλείο σε εξωτερικούς χώρους, χρησιμοποιήστε ένα καλώδιο προέκτασης κατάλληλο για εξωτερική χρήση.** Η χρήση καλωδίου κατάλληλου για εξωτερική χρήση μειώνει τον κίνδυνο ηλεκτροπληξίας.
- **Εάν η χρήση ενός ηλεκτρικού εργαλείου σε υγρή τοποθεσία είναι αναπόφευκτη, χρησιμοποιήστε προστατευμένη τροφοδοσία ρεύματος (συσκευές υπολειπόμενου ρεύματος - RCD). Η χρήση μιας συσκευής υπολειπόμενου ρεύματος (RCD) μειώνει τον κίνδυνο ηλεκτροπληξίας.**

Προσωπική ασφάλεια

- **Μείνετε σε εγρήγορση, προσέξτε τι κάνετε και χρησιμοποιήστε την κοινή λογική όταν χειρίζεστε ένα ηλεκτρικό εργαλείο. Μην χρησιμοποιείτε ένα ηλεκτρικό εργαλείο όταν είστε κουρασμένοι ή υπό την επήρεια ναρκωτικών, οινοπνεύματος ή**

φαρμάκων. Μια στιγμή έλλειψης προσοχής κατά τη λειτουργία ηλεκτρικών εργαλείων μπορεί να προκαλέσει σοβαρούς τραυματισμούς.

- **Χρησιμοποιείτε ατομικό προστατευτικό εξοπλισμό. Να φοράτε πάντα προστασία ματιών.** Ο προστατευτικός εξοπλισμός, όπως η μάσκα σκόνης, τα αντιολισθητικά υποδήματα ασφαλείας, η κάσκα ή η προστασία ακοής που χρησιμοποιούνται για τις κατάλληλες συνθήκες, θα μειώσουν τις σωματικές βλάβες.
- **Αποτρέψτε την ακούσια εκκίνηση. Πριν συνδέσετε την πηγή τροφοδοσίας και/ή την μπαταρία, πριν σηκώσετε ή μεταφέρετε το εργαλείο, βεβαιωθείτε ότι ο διακόπτης είναι στη θέση εκτός λειτουργίας.** Η μεταφορά των ηλεκτρικών εργαλείων με το δάκτυλό σας στο διακόπτη ή η ενεργοποίηση των ηλεκτρικών εργαλείων που διαθέτουν διακόπτη, προκαλούν ατυχήματα.
- **Αφαιρέστε οποιοδήποτε κλειδί τύπου διχάλας ή κλειδί πριν ενεργοποιήσετε το εργαλείο.** Ένα κλειδί τύπου διχάλας ή ένα κλειδί που είναι συνδεδεμένο με ένα περιστρεφόμενο τμήμα του ηλεκτρικού εργαλείου μπορεί να προκαλέσει τραυματισμό.
- **Μην το χρησιμοποιήσετε υπερβολικά. Διατηρήστε κατάλληλη βάση και ισορροπία ανά πάσα στιγμή.** Αυτό επιτρέπει τον καλύτερο έλεγχο του ηλεκτρικού εργαλείου σε απροσδόκητες καταστάσεις.
- **Ντυθείτε κατάλληλα. Μη φοράτε χαλαρά ρούχα ή κοσμήματα. Κρατήστε τα μαλλιά και τα ρούχα μακριά από τα κινούμενα μέρη.** Τα χαλαρά ρούχα, τα κοσμήματα ή τα μακριά μαλλιά μπορούν να πιαστούν σε κινούμενα μέρη.
- **Εάν παρέχονται συσκευές για τη σύνδεση εγκαταστάσεων αναρρόφησης και συλλογής της σκόνης, βεβαιωθείτε ότι αυτές είναι συνδεδεμένες και χρησιμοποιούνται σωστά.** Η χρήση του εξαρτήματος για τη συλλογή της σκόνης μπορεί να μειώσει τους κινδύνους που σχετίζονται με τη σκόνη.
- **Μην αφήσετε την εξοικείωση που έχετε αποκτήσει από τη συχνή χρήση των εργαλείων να σας επιτρέπουν να γίνετε εφησυχασμένοι και να αγνοήσετε τις αρχές ασφαλείας των εργαλείων.** Μια απρόσεκτη ενέργεια μπορεί να προκαλέσει σοβαρό τραυματισμό μέσα σε ένα κλάσμα του δευτερολέπτου.
- **Όταν εκτελείτε μια εργασία όπου ο συνδετήρας μπορεί να έρθει σε επαφή με κρυφές καλωδιώσεις ή με το δικό του καλώδιο, κρατήστε το ηλεκτρικό εργαλείο σε επιφάνειες συγκράτησης.** Οι σύνδεσμοι που έρχονται σε επαφή με ένα «ζωντανό» σύρμα μπορεί να καταστήσουν εκτεθειμένα μεταλλικά μέρη του ηλεκτρικού εργαλείου «ζωντανά» και να προκαλέσουν ηλεκτροπληξία στον χειριστή.

Χρήση και φροντίδα των ηλεκτρικών εργαλείων

- **Μην πιέζετε το ηλεκτρικό εργαλείο.** Χρησιμοποιήστε το σωστό ηλεκτρικό εργαλείο για την εφαρμογή σας. Το σωστό ηλεκτρικό εργαλείο θα κάνει τη δουλειά καλύτερη και ασφαλέστερη με την ταχύτητα για την οποία σχεδιάστηκε.

- **Μην χρησιμοποιείτε το ηλεκτρικό εργαλείο εάν ο διακόπτης δεν το ενεργοποιεί και δεν το απενεργοποιεί.** Κάθε ηλεκτρικό εργαλείο που δεν μπορεί να ελεγχθεί με το διακόπτη είναι επικίνδυνο και πρέπει να επισκευαστεί.
- **Πριν κάνετε οποιοδήποτε ρυθμίσεις, αλλάζετε εξαρτήματα ή αποθηκεύετε τα ηλεκτρικά εργαλεία, αποσυνδέστε το φως από την πηγή τροφοδοσίας και/ή αφαιρέστε την μπαταρία, αν είναι αποσπώμενη, από το ηλεκτρικό εργαλείο.** Αυτά τα προληπτικά μέτρα ασφαλείας μειώνουν τον κίνδυνο της τυχαίας εκκίνησης του ηλεκτρικού εργαλείου.
- **Αποθηκεύστε τα αδρανείς εργαλεία μακριά από τα παιδιά και μην επιτρέπετε σε άτομα που δεν είναι εξοικειωμένα με το ηλεκτρικό εργαλείο ή με αυτές τις οδηγίες να χειρίζονται το ηλεκτρικό εργαλείο.** Τα ηλεκτρικά εργαλεία είναι επικίνδυνα στα χέρια μη καταρτισμένων χρηστών.
- **Διατηρήστε τα ηλεκτρικά εργαλεία και τα εξαρτήματα.** Ελέγξτε για την κακή ευθυγράμμιση ή σύνδεση κινητών εξαρτημάτων, θραύση εξαρτημάτων και οποιαδήποτε άλλη κατάσταση που μπορεί να επηρεάσει τη λειτουργία του ηλεκτρικού εργαλείου. Εάν έχει υποστεί ζημιά, επισκευάστε το εργαλείο πριν το χρησιμοποιήσετε. Πολλά ατυχήματα οφείλονται σε ανεπαρκώς συντηρημένα ηλεκτρικά εργαλεία.
- **Κρατήστε τα εργαλεία κοπής αιχμηρά και καθαρά.** Τα σωστά συντηρημένα κοπτικά εργαλεία με αιχμηρά άκρα κοπής είναι λιγότερο πιθανό να συναρμολογούνται και είναι ευκολότερο να ελέγχονται.
- **Χρησιμοποιήστε το ηλεκτρικό εργαλείο, τα εξαρτήματα και τα κοπτικά εργαλεία, κλπ. σύμφωνα με αυτές τις οδηγίες, λαμβάνοντας υπόψη τις συνθήκες εργασίας και τις εργασίες που πρέπει να εκτελεστούν.** Η χρήση του ηλεκτρικού εργαλείου για λειτουργίες διαφορετικές από τις προβλεπόμενες μπορεί να οδηγήσει σε επικίνδυνες καταστάσεις.
- **Κρατήστε τις λαβές και τις επιφάνειες πιασίματος στεγνές, καθαρές και απαλλαγμένες από λάδια και λίπη.** Οι ολισθηρές λαβές και επιφάνειες πιασίματος δεν επιτρέπουν τον ασφαλή χειρισμό και τον έλεγχο του εργαλείου σε απροσδόκητες καταστάσεις.

Χρήση και φροντίδα της μπαταρίας του εργαλείου

- **Επαναφορτίστε μόνο με τον φορτιστή που καθορίζεται από τον κατασκευαστή.** Ένας φορτιστής που είναι κατάλληλος για έναν τύπο μπαταρίας μπορεί να δημιουργήσει κίνδυνο πυρκαγιάς όταν χρησιμοποιείται με άλλη μπαταρία.
- **Χρησιμοποιείτε ηλεκτρικά εργαλεία μόνο με ειδικές μπαταρίες.** Η χρήση οποιωνδήποτε άλλων μπαταριών μπορεί να δημιουργήσει κίνδυνο τραυματισμού και πυρκαγιάς.
- **Όταν η μπαταρία δεν χρησιμοποιείται, κρατήστε την μακριά από άλλα μεταλλικά αντικείμενα, όπως συνδετήρες, νομίσματα, κλειδιά, καρφιά, βίδες ή άλλα μικρά μεταλλικά αντικείμενα, τα οποία μπορούν να συνδέσουν ένα τερματικό με άλλο.** Βραχυκυκλώνοντας τους ακροδέκτες της μπαταρίας δύναται να προκληθούν εγκαύματα ή πυρκαγιά.

- Σε καταχρηστικές συνθήκες, μπορεί να εκτοξευθεί υγρό από την μπαταρία · αποφύγετε την επαφή. Σε περίπτωση τυχαίας επαφής, ξεπλύνετε με νερό. Εάν το υγρό θα έρθει σε επαφή με τους φακούς επαφής, ζητήστε επιπλέον ιατρική βοήθεια. Το υγρό που εξέρχεται από την μπαταρία μπορεί να προκαλέσει ερεθισμό ή εγκαύματα.
- Μην χρησιμοποιείτε μια μπαταρία ή ένα εργαλείο που έχει καταστραφεί ή τροποποιηθεί. Οι κατεστραμμένες ή τροποποιημένες μπαταρίες ενδέχεται να παρουσιάζουν απρόβλεπτη συμπεριφορά με αποτέλεσμα πυρκαγιά, έκρηξη ή κίνδυνο τραυματισμού.
- Μην εκθέτετε μια μπαταρία ή ένα εργαλείο σε πυρκαγιά ή σε υπερβολική θερμοκρασία. Η έκθεση σε πυρκαγιά ή σε θερμοκρασία πάνω από 130 °C μπορεί να προκαλέσει έκρηξη.
- Ακολουθήστε όλες τις οδηγίες φόρτισης και μην φορτίζετε την μπαταρία ή το εργαλείο εκτός του εύρους θερμοκρασίας που καθορίζεται στις οδηγίες. Η σωστή φόρτιση ή σε θερμοκρασίες εκτός του καθορισμένου εύρους μπορεί να προκαλέσει βλάβη στη μπαταρία και να αυξήσει τον κίνδυνο πυρκαγιάς.

Συντήρηση

- Συνιστάται η συντήρηση του ηλεκτρικού σας εργαλείου από εξειδικευμένο συνεργείο επισκευής χρησιμοποιώντας μόνο πανομοιότυπα ανταλλακτικά. Αυτό θα διασφαλίσει ότι διατηρείται η ασφάλεια του ηλεκτρικού εργαλείου.
- Ποτέ μην κάνετε συντήρηση σε μπαταρίες που έχουν βλάβη. Η συντήρηση των μπαταριών πρέπει να πραγματοποιείται μόνο από τον κατασκευαστή ή τους εξουσιοδοτημένους παροχείς υπηρεσιών.

Πινακίδες και Αυτοκόλλητα

Το προϊόν διαθέτει σήματα και αυτοκόλλητα που περιέχουν σημαντικές πληροφορίες για την ατομική ασφάλεια και τη συντήρηση του προϊόντος. Τα σήματα και τα αυτοκόλλητα πρέπει να είναι πάντοτε ευανάγνωστα. Μπορείτε να παραγγείλετε καινούργια σήματα και αυτοκόλλητα από τον κατάλογο ανταλλακτικών.



s011050

Χρήσιμες πληροφορίες

Διαδικτυακός τόπος

Πληροφορίες σχετικά με τα Προϊόντα, τα Εξαρτήματά, τα Ανταλλακτικά και τα Δημοσιευμένα θέματα μας βρίσκονται στον ιστότοπο Desoutter .

Παρακαλούμε επισκεφθείτε: www.desouttertools.com.

Πληροφορίες για εγχειρίδια εγκατάστασης

Λεπτομερείς οδηγίες λειτουργίας, εγχειρίδια εγκατάστασης και αναβάθμισης διατίθενται στη διεύθυνση <https://www.desouttertools.com/resource-centre>.

Πληροφορίες για ανταλλακτικά

Οι ανεπτυγμένες προβολές και ο κατάλογος ανταλλακτικών είναι διαθέσιμα στο Service Link στη διεύθυνση www.desouttertools.com.

Χώρα προέλευσης

France

Δελτία Δεδομένων Ασφαλείας MSDS/SDS

Τα δελτία δεδομένων ασφαλείας περιγράφουν τα χημικά προϊόντα που πωλούνται από την Desoutter.

Παρακαλούμε ανατρέξτε στον ιστότοπο Desoutter για περισσότερες πληροφορίες <https://www.desoutter-tools.com/legal/sds>.

Πνευματικά δικαιώματα

© Copyright 2022, Ets Georges Renault, 38 rue Bobby Sands, 44818 Saint Herblain, France

Με την επιφύλαξη παντός δικαιώματος. Απαγορεύεται κάθε μη εξουσιοδοτημένη χρήση ή αντιγραφή των περιεχομένων ή μέρους τους. Αυτό ισχύει ιδίως για τα εμπορικά σήματα, τις επωνυμίες μοντέλων, τους αριθμούς ανταλλακτικών και τα σχεδιαγράμματα. Χρησιμοποιείτε μόνο εγκεκριμένα ανταλλακτικά. Οποιαδήποτε ζημία ή δυσλειτουργία λόγω μη εγκεκριμένων ανταλλακτικών δεν καλύπτεται από την Εγγύηση ή την Ευθύνη για τα Προϊόντα.

Tekniska data

Tekniska data

Spänning (V)

36 V

Utgång drift

Modell	Typ
EABA26-560-QRX	Snabbkopplingsutgång
EABA32-410-QRX	Snabbkopplingsutgång
EABA45-330-QRX	Snabbkopplingsutgång
EABA50-450-QRX	Snabbkopplingsutgång
EABA60-370-QRX	Snabbkopplingsutgång
EABA75-300-QRX	Snabbkopplingsutgång
EABA95-240-QRX	Snabbkopplingsutgång

Momentintervall (Nm)

Modell	Min./ Nominell/Max.
EABA26-560-QRX	5/24/26
EABA32-410-QRX	7/30/32
EABA45-330-QRX	9/40/45
EABA50-450-QRX	9/45/50
EABA60-370-QRX	10/55/60

Modell	Min./ Nominell/Max.
EABA75-300-QRX	12/70/75
EABA95-240-QRX	19/90/95

Momentintervall (ft.lbs)

Modell	Min./ Nominell/Max.
EABA26-560-QRX	1,12/5,40/5,85
EABA32-410-QRX	1,57/6,74/7,19
EABA45-330-QRX	2,02/8,99/10,12
EABA50-450-QRX	2,02/10,12/11,24
EABA60-370-QRX	2,25/12,36/13,49
EABA75-300-QRX	2,70/15,74/16,86
EABA95-240-QRX	4,27/20,23/21,36

Märkhastighet (rpm)

Modell	
EABA26-560-QRX	560
EABA32-410-QRX	410
EABA45-330-QRX	330
EABA50-450-QRX	450
EABA60-370-QRX	370
EABA75-300-QRX	300
EABA95-240-QRX	240

Vikt

Modell	(kg)	(lb)
EABA26-560-QRX	2.04	4.50
EABA32-410-QRX	2.04	4.50
EABA45-330-QRX	2.21	4.87
EABA50-450-QRX	2.49	5.49
EABA60-370-QRX	2.82	6.22
EABA75-300-QRX	3.42	7.54
EABA95-240-QRX	3.46	7.63

 Vikten anges utan batteri.

Lagrings- och användningsförhållanden

Lagringstemperatur	-20 till +70 °C (-4 till +158 °F)
Drifttemperatur	0 till +45 °C (32 till +113 °F)
Lagringsfuktighet	0-95 % RH (icke-kondenserande)
Driftfuktighet	0-90 % RH (icke-kondenserande)
Altitud upp till	2000 m (6562 fot)
Användbar i en miljö med föroreningsgrad 2	
Endast inomhusbruk	

Specifikationer för trådlös kommunikation

RFID 13,56 MHz

Frekvens	13,553 MHz - 13,567 MHz
Fält	< 42 dBµA/m at 10 m according to ETSI EN 300 330 v2.1.1

Deklarationer

Ansvar

Många händelser i arbetsmiljön kan påverka åtdragningsprocessen och kräva en validering av resultat. I enlighet med gällande standarder och/eller föreskrifter, ställer vi som krav att det installerade momentet och rotationsriktningen kontrolleras efter varje händelse som kan påverka åtdragningsresultat. Exempel på sådana händelser inkluderar, men är inte begränsade till:

- initial installation av verktygssystemet
- ändring av delbatch, bult, skruvbatch, verktyg, mjukvara, konfiguration eller miljö
- ändring av luftanslutningar eller elektriska anslutningar
- ändring i linjens ergonomi, process, kvalitetsförfaranden eller praxis
- byte av operatör
- någon annan ändring som påverkar åtdragningsprocessens resultat

Kontrollen ska:

- Se till att sammanfogningen inte har ändrats på grund av påverkande händelser.
- Göras efter initial installation, underhåll eller reparation av utrustningen.
- Inträffa minst en gång per skift eller vid annan lämplig frekvens.

EU-FÖRSÄKRAN OM ÖVERENSSTÄMMELSE

Vi, **Ets Georges Renault**, 38 rue Bobby Sands, 44818 Saint Herblain, France, försäkrar under eget ansvar att produkten (med namn, typ och serienummer, se framsida) uppfyller följande direktiv:

2006/42/EG, 2011/65/EG, 2014/53/EU

Tillämpade harmoniserade standarder:

SS-EN 62841-2-2:2015+AC1:2015 SS-EN 61000-6-2:2005 SS-EN 61000-6-3:2007+A1:2011 SS-EN 55014-3:2006 SS-EN 55014-2:2000

Myndigheter kan begära relevant teknisk information från: Pascal ROUSSY, R&D Manager, 38 rue Bobby Sands, 44818 Saint Herblain, France

Saint Herblain, 2021/09/13

Pascal ROUSSY, R&D Manager

Safety Information

Utfärdarens underskrift

Meddelande om buller och vibrationer

- Ljudeffektnivå < 70 dB(A), osäkerhet 3 dB(A), i enlighet med EN 62841-2-2 : 2014.
- Vibration totalvärde < 2.5 m/s², osäkerhet 3 m/s², i enlighet med EN 62841-2-2 : 2014.

Dessa deklarerade värden har erhållits genom laboratorie tester i enlighet med angivna direktiv eller standarder och är lämpliga att jämföra med deklarerade värden för andra maskiner som testats i enlighet med samma direktiv eller standarder. Den angivna nivån av vibrationsutsläpp kan användas till en preliminär bedömning av exponering. Värdena kan inte användas för riskbedömning och värden som uppmäts på individuella arbetsplatser kan vara högre. De faktiska exponeringsvärdena och de skaderisker som en enskild användare utsätts för är unika och beror på personens arbetssätt, i vilket material maskinen används, användarens exponeringstid och fysiska kondition samt maskinens skick.

Vi på **Ets Georges Renault** kan inte hållas ansvarsskyldiga för konsekvenserna av att använda de angivna värdena istället för värden som återspeglar den faktiska exponeringen vid en individuell riskbedömning på en arbetsplats över vilken vi inte har någon kontroll.

Detta verktyg kan orsaka syndromet hand-armvibrationer om det inte används korrekt. En EU-guide för hantering av hand- och armvibrationer återfinns på webbplatsen <http://www.pneurop.eu/index.php> under Verktyg och sedan Lags-tiftning.

För att förebygga eventuella framtida åkommor rekommenderar vi att hälsokontroller genomförs för att upptäcka tidiga symptom som kan bero på vibrationsrelaterade arbetssuppgifter.

- i** Om denna utrustning är avsedd för fixerade tillämpningar:
Ljudemissionerna anges som vägledning för maskinbyg-garen. Ljud- och vibrationsemissionsdata för hela maski-nen skall anges i instruktionshandboken till maskinen.

WEEE

Information om **Kassering av elektrisk och elektronisk utrustning (Waste of Electrical and Electronic Equip-ment)** (WEEE):

Denna produkt och dess information uppfyller kraven i WEEE-direktivet (2012/19/EU), och måste hanteras i enlighet med direktiv/förordningar.

Produkten är märkt med följande symbolen:



Produkter märkta med en överkryssad soptunna med hjul samt en svart linje nedanför innehåller delar som måste hanteras i enlighet med WEEE-direktiv/förordningar. Hela produkten, eller WEEE-delarna, kan skickas till ditt kund-center för omhändertagande.

Information om Artikel 33 i REACH

EU-förordning (EG) nr. 1907/2006 om registrering, utvärdering, godkännande och begränsning av kemikalier (Reach) anger bland annat krav rörande kommunikation i lever-anskedjan. Informationskraven gäller även för produkter som innehåller så kallade Särskilt farliga ämnen ("Kandidat-förteckningen"). Den 27 juni 2018 blev blymetall (CAS-nr. 7439-92-1) tillagt i Kandidatförteckningen.

I enlighet med informationen ovan har detta meddelande som syfte att informera dig om att vissa elektriska och mekaniska komponenter i produkten kan innehålla blymetall. Detta är i enlighet med rådande begränsningslagstiftning för specifika ämnen och baseras på undantag i RoHS-förordningen (2011/65/EU). Blymetall kommer inte att läcka eller förändras från eller i produkten vid normal användning och koncentrationen blymetall i den färdiga produkten ligger långt under gällande gränsvärden. Kom ihåg att kontrollera lokala krav för bly när produkten ska avfallshanteras.

Regionala krav

⚠ VARNING

Denna produkt kan utsätta dig för kemikalier inklusive bly, som är känd för staten Kalifornien för att orsaka cancer och fosterskador och annan reproduktiv skada. För mer information gå in på <https://www.p65warnings.ca.gov/>

Säkerhet

KASSERA EJ – GE TILL ANVÄNDAREN

⚠ VARNING Alla lokala säkerhetsföreskrifter avseende installation, drift och underhåll skall alltid åtföljas.

Användningsintyg

- Endast för yrkesmässigt bruk.
- Denna produkt och medföljande tillbehör får inte modifieras på något sätt.
- Använd inte denna produkt om den har skadats.
- Om produktuppgifterna eller varningsskyltarna på produkten inte är läsbara eller lossnar ska de bytas omedelbart.
- Produkten får endast installeras, användas och servas av behöriga personer i en miljö för industriellt bruk.

Avsedd användning

Denna produkt är avsedd för att montera och ta bort gängade fästelement i trä, metall eller plast. Ingen annan användning är tillåten. Endast för professionell användning.

Använd endast följande Desoutter batteripaket.

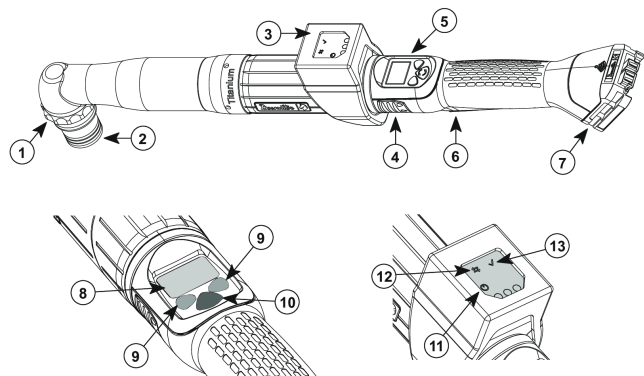
- Batteri 18 V 2.5 Ah, artikelnummer 6158132660
- Batteri 36 V 2.5 Ah, artikelnummer 6158132670

Batterier får **baraladdas** med Desoutter batteriladdare (6158132700).

För fullständiga informationer, se batteriladdarens säkerhetsinstruktioner (6159925310) och Produktinstruktioner som finns tillgängliga på flera språk på <https://www.desouttertools.com/resource-centre>

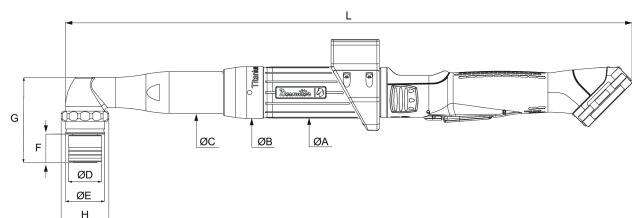
Produktspecifika anvisningar

Produktbeskrivning



- 1 Monteringsadapter för Crowfoot
- 2 Snabbutlösningsutgång
- 3 QR-läsare (tillbehör)
- 4 Rapporteringslysdioder
- 5 Skärm och knappar
- 6 Trycke
- 7 Batterifootprint
- 8 Skärm
- 9 Programmeringsknappar
- 10 Reverseringsknapp
- 11 Indikator som visar att tillbehöret är påslaget.
- 12 Läsning/skrift pågår
- 13 Tilldelat Pset är klart.

Dimensioner (mm)



Modell	L	ØA	ØB
EABA26-560-QRX	496	46	46
EABA32-410-QRX	496	46	46
EABA45-330-QRX	506	46	46
EABA50-450-QRX	546	46	46
EABA60-370-QRX	559	46	58

EABA75-300-QRX	582	46	58
EABA95-240-QRX	582	46	58

Modell	ØC	D	E
EABA26-560-QRX	37	25	28
EABA32-410-QRX	37	25	28
EABA45-330-QRX	37	30	35
EABA50-450-QRX	37	30	35
EABA60-370-QRX	41	33	40
EABA75-300-QRX	49	34	43
EABA95-240-QRX	49	34	43

Modell	F	G	H
EABA26-560-QRX	22	68	35
EABA32-410-QRX	22	68	35
EABA45-330-QRX	25	76	44
EABA50-450-QRX	25	76	44
EABA60-370-QRX	27	85	49
EABA75-300-QRX	28	88	52
EABA95-240-QRX	28	88	52

Allmän installation, säkerhet

Låt endast kvalificerad personal utföra installation.

Häng verktyget på ett säkert sätt, till exempel från ett balansblock. Om upphängningsbygel används, kontrollera att denna är felfri och korrekt monterad.

För verktyg med kabel: Anslut alltid systemet till ett jordat uttag. Se alltid till att nätkontakten är fränkopplad och att styrenheten är avslagen innan du ansluter eller kopplar från verktygskabeln.

Allmän säkerhet vid användning

- Bär inte handskar – risk för att fastna.
- Kontrollera verktygets funktion samt att styr-/drivenheten är riktigt programmerad före användning. Härigenom undviks att verktyget reagerar på annat sätt än det avsedda varvid operatören kan komma att skadas. Verktygshandtaget måste alltid ha stadigt stöd i motsatt riktning mot spindelrotationen för att minska effekten av en plötslig momentreaktion under slutlig åtdragning och inledande lossning.
- Håll aldrig i drivningen, hylsan eller drivningens förlängning.
- Operatörer och underhållspersonal måste vara fysiskt kapabla att hantera verktygets storlek, vikt och kraft.
- Använd om möjligt en upphängningsarm för att ta upp vridmomentsreaktionen. Om det inte är möjligt rekommenderas sidohandtag på verktyg med raka maskinhus och med pistolhandtag; mothåll rekommenderas för vinklade mutterdragare. Använd något som tar upp vridmomentsreaktionen över 4 Nm (3 lbf.ft)

Safety Information

för verktyg med raka maskinhus, över 10 Nm (7,5 lbf.ft)
för verktyg med pistolhandtag och över 60 Nm (44 lbf.ft)
för vinklade mutterdragare.

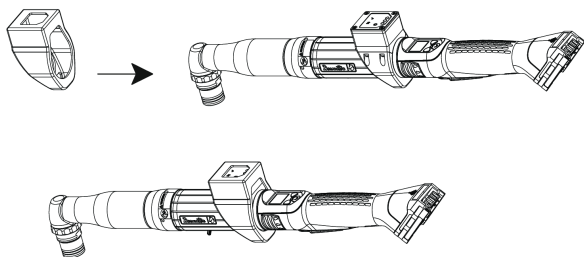
- **Allvarliga personskador kan uppstå från över- eller underåtdragna fästelement.** Enheter som kräver ett visst moment skall kontrolleras med hjälp av en momentmätare. Så kallade "klick"-momentnycklar kontrollerar inte potentiellt farlig överåtdragning. Över- eller underåtdragna fästelement kan gå sönder, lossna eller separera. Enheter som lossnar kan bli till projektiler.
- **Använd endast hylsor för motor- och slagdrift i gott skick.** Använd inte handverktygshylsor.
- **Vid användning av motordrivna verktyg kan operatören uppleva obehag i händer, armar, axlar, nacke eller andra kroppsdelar.** Variera arbetsställningen genom hela arbetsdagen. Stå säkert och stabilt och undvik obekväma eller obalanserade ställningar.
- **Monotona arbetsrörelser, obekväma ställningar och exponering för vibration kan vara skadligt för händer och armar.** Om någon del av kroppen domnar, somnar, smärtar eller vitnar ska verktyget sluta användas och läkares råd sökas.
- **Var försiktig vid arbete på begränsade ytor.** Se till att händerna inte kommer i kläm mellan verktyget och arbetsstycket.
- **Höga ljudnivåer kan orsaka permanenta hörselskador.** Använd hörselskydd som rekommenderas av din arbetsgivare eller föreskrifterna för arbetarskydd.
- **Kontrollera att arbetsstycket är säkert fastspänt.**
- **Arbeta försiktigt i områden som du inte känner till.** Var medveten om de potentiella risker som skapas av dina arbetsaktiviteter. Detta verktyg är inte isolerat från att komma i kontakt med elektriska strömkällor.

Verktyg som används tillsammans med mothåll: Håll ej handen på eller invid mothållet när maskinen används. Var medveten om spindelns rotationsriktning innan verktyget startas. Reaktionskraften kan vara riktad åt ett oväntat håll med risk för krosskador.

För verktyg som har koppling: Kontrollera att maskinen fungerar ordentligt när kopplingen har justerats.

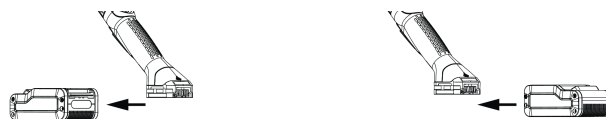
Så här monterar du kåpan på läsaren

- ① Vi rekommenderar starkt att den kåpa som medföljer i förpackningen monteras på ett sätt som skyddar läsaren mot stötar och skador.



Skjut fast kåpan på verktyget.
Tryck fast den ordentligt över läsaren.

Sätta in batteriet



Sätt i batteriet framför eller bakom verktyget tills det hörs ett tydligt låsljud.

Det finns ingen ON/OFF-brytare: verktyget är klart att använda så fort batteriet är monterat.

När verktyget är påslaget blinkar LED-lamporna.

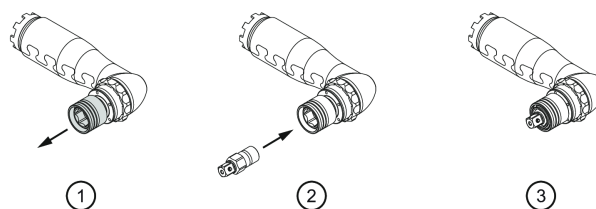
OBS Användningsrekommendationer för batterier
Se till att batteriet har en längre livslängd.

- Koppla ur batteriet när verktyget inte används.

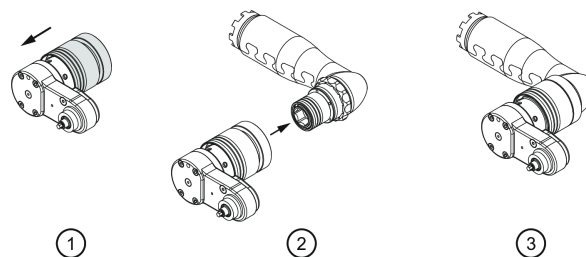
Lämna inte batteriet på laddaren när laddaren är avstängd.

Så sätter du i tillbehör

Hylsa



Crowfoot



Sätt i ett tillbehör i snabbutlösningens utgång enligt anvisningarna och tilldela det ett Pset

Starta verktyget

Montera verktyget med en lämplig hylsa.

Välj lämpligt Pset.

Håll verktyget med hjälp av handtaget och för det in i fastanordningen som ska dras åt.

⚠ VARNING Risk för skador

Allteftersom reaktionskraften ökar i proportion till åtdragningsmomentet, finns det risk för allvarliga skador för operatören som ett resultat av oväntat uppträdande av verktyget.

- Se till att verktyget är i perfekt driftskick och systemet är korrekt programmerat.

Tryck på avtryckaren för att starta verktyget.

Hur du ändrar rotationinriktning



1 Använd reverseringsknappen

Tryck på knappen.

Den röda och den gröna lysdioder blinkar alternativt.

För verktyget in i fastanordningen och tryck på avtryckaren.

Allmän säkerhet vid service och underhåll

Styrenheten måste vara avstängd under användning för att undvika oavsiktlig start.

Låt endast kvalificerad personal utföra service.

Rengöringsanvisningar

Rengör delarna med en fuktig trasa. Använd endast vatten – använd aldrig rengöringsmedel som innehåller lösningsmedel.

Kontakta en servicetekniker från Desoutter för rengöringsråd enligt gällande rekommendationer för ditt verktyg.

Allmänna säkerhetsvarningar för elverktyg

⚠ VARNING Läs alla säkerhetsvarningar, instruktioner, illustrationer och specifikationer som följer med det här elverktyget.

Underlåtenhet att följa alla instruktioner i listan nedtill kan leda till elstöt, brand och/eller allvarlig skada.

Spara alla varningar och instruktioner för framtida användning.

Termen "elverktyg" i varningarna syftar på ditt nätanslutna (med sladd) elverktyg eller batteridrivna (sladdlösa) elverktyg.

Säkerhet på arbetsplatsen

- **Håll arbetsplatsen ren och väl upplyst.** Röriga eller mörka platser inbjuder till olyckor.
- **Använd inte elverktyg i explosiva miljö, t. ex. i närheten av lättantända vätskor, gaser eller damm.** Elverktyg genererar gnistor som kan antända damm eller ångor.
- **Håll barn och åskådare på avstånd när elverktyget används.** Om du blir distraherad kan du förlora kontrollen.

Elsäkerhet

- **Elverktygets stickkontakt måste passa uttaget. Modifiera aldrig en stickpropp på något sätt. Använd inte adapterkontakter tillsammans med jordade elverktyg.** Stickkontakt i originalutförande och passande uttag minskar risken för elektriska stötar.

- **Undvik kroppskontakt med jordade ytor som t.ex. rör, element, spisar och kylskåp.** Risken för elstötter ökar om du är jordad.
- **Utsätt inte elverktyg för regn eller väta.** Vatten som tränger in i elverktyg ökar risken för elektriska stötar.
- **Använd inte kabeln på felaktigt sätt. Använd aldrig kabeln för att bära eller dra elverktyget och inte heller för att dra ur kontakten. Håll kabeln på avstånd från värme, olja, vassa kanter eller rörliga delar.** Skadade eller intrasslade kablar ökar risken för elektriska stötar.
- **Använd en förlängningskabel som är avsedd för utomhusbruk när elverktyget används utomhus.** Risken för elstötter minskar om man använder kabel som är avsedd för utomhusbruk.
- **Om det inte går att undvika att använda ett elverktyg på fuktiga ställen ska det anslutas till en strömförsörjning som skyddas av jordfelsbrytare.** Vid användning av jordfelsbrytare minskar risken för elstötter.

Personlig säkerhet

- **Var uppmärksam, tänk på vad du gör och använd sunt förnuft när du arbetar med ett elverktyg. Använd inte elverktyg när du är trött eller påverkad av droger, alkohol eller mediciner.** Ett ögonblicks ouppmärksamhet kan leda till allvarliga personskador.
- **Använd personlig skyddsutrustning. Använd alltid ögonskydd.** Lämplig skyddsutrustning som t. ex. andningsmask, halssäkra skyddsskor, hjälm eller hörselskydd minskar personskador.
- **Förhindra oavsiktlig start. Kontrollera att strömbrytaren är avstängd innan du ansluter verktyget till nätet och/eller batteripaketet eller plockar upp det eller bär omkring det.** Att bära elverktyget med fingret på avtryckaren eller om det är tillslaget när det ansluts till strömförsörjningen inbjuder till olycksfall.
- **Ta bort eventuella injusteringsverktyg innan elverktyget startas.** En skruvnyckel eller liknande som lämnas kvar i en roterande del av elverktyget kan försäkra personskada.
- **Försök inte sträcka dig för långt. Behåll alltid balansen och stå stadigt på fötterna.** Då har du bättre kontroll över elverktyget i oväntade situationer.
- **Använd lämpliga kläder. Bär inte löst hängande plagg eller smycken. Håll hår och kläder borta från rörliga delar.** Lösa kläder, smycken eller långt hår kan fastna i rörliga delar.
- **Se till att tillbehör för uppsamling och utsugning av damm ansluts och används på rätt sätt.** Användning av dammuppsamlade utrustning kan minska dammlaterade skador.
- **Låt inte din erfarenhet med verktyg efter frekvent användning göra dig självbelåten och ignorera verktygssäkerheten.** En slarvig handling kan orsaka allvarlig skada inom en bråkdel av en sekund.
- **Håll elverktyget med de isolerade gripytorna eftersom skärtillbehöret kan komma i kontakt med dolda ledningar eller sin egen strömkabel.** Fästelement kan

Safety Information

komma i kontakt med en strömförande kabel som kan komma i kontakt med exponerade metalldelar på elverktyg och kan ge operatören en elektrisk stöt.

Användning och vård av verktyget

- **Överbelasta inte elverktyget. Använd rätt elverktyg för det du ska göra.** Rätt elverktyg gör jobbet bättre och säkrare, i den hastighet som det har konstruerats för.
- **Använd inte elverktyget om det inte går att starta och stänga av det med strömbrytaren.** Elverktyg som inte går att starta och stänga av med strömbrytaren är farliga och måste repareras.
- **Ta ur stickkontakten från eluttaget och/eller batteriet från elverktyget, om det går, innan du gör några justeringar, byter tillbehör eller lägger undan elverktyget.** Sådana förebyggande skyddsåtgärder minskar risken för att verktyget startar oavsiktligt.
- **Förvara elverktyg som inte används utom räckhåll för barn och låt inte personer som inte är bekanta med elverktyg eller dessa instruktioner använda elverktyget.** Elverktyg är farliga i händerna på ovana användare.
- **Underhåll av elverktyg och tillbehör. Kontrollera om rörliga delar är fel uppriktade eller kärvar, om några delar är trasiga eller om det är några andra förhållanden som kan påverka elverktygets funktion. Reparera ett skadat elverktyg innan det används.** Många olyckor orsakas av dåligt underhållna elverktyg.
- **Håll skärande verktyg skarpa och rena.** Riktigt underhållna skärverktyg med skarpa skärkanter löper mindre risk att kärva och är lättare att kontrollera.
- **Använd elverktyg, tillbehör och verktygsdelar etc. i enlighet med dessa instruktioner och med hänsyn till arbetsförhållanden och det arbete som ska utföras.** Användning av elverktyg för andra arbeten än de som verktygen är konstruerade för kan leda till farliga situationer.
- **Håll handtag och gripytor torra, rena och fria från olja och fett.** Hala handtag och gripytor förhindrar säker hantering och kontroll av verktyget i oväntade situationer.

Användning och vård av batteriverktyg

- **Ladda endast med den laddare som tillverkaren har specificerat.** En laddare som passar en typ av batteri kan utgöra brandrisk om den används med en annan batterityp.
- **Använd endast elverktyg med specifikt avsedda batterier.** Användning av andra batterier kan utgöra en risk för skador och brand.
- **När batteriet inte används ska det hållas på behörigt avstånd från andra metallföremål som pappersklämmor, mynt, nycklar, spikar, skruvar eller andra mindre metallföremål som kan leda ström från en pol till en annan.** Kortslutning av batteripolerna kan orsaka brännskador eller brand.

- **Om batteriet utsätts för stötar kan vätska läcka ut ur batteriet – undvik kontakt. Vid oavsiktlig kontakt ska du skölja med vatten. Uppsök läkare om vätska kommer i kontakt med ögonen.** Vätska som läcker ut från ett batteri kan orsaka irritation eller brännskador.
- **Använd inte något batteri eller något verktyg som är skadat eller modifierat.** Skadade eller modifierade batterier kan uppvisa oförutsägbart beteende som kan leda till brand, explosion eller risk för personskada.
- **Utsätt inte ett batteri eller ett verktyg för brand eller överhettning.** Exponering för brand eller temperatur över 130 °C kan orsaka explosion.
- **Följ alla laddningsinstruktioner och ladda inte batteriet eller verktyget utanför det temperaturintervall som anges i instruktionerna.** Felaktig laddning eller laddning vid temperaturer utanför den angivna intervallen kan skada batteriet och öka risken för brand.

Service

- **Lämna in elverktyget för service hos en kompetent reparatör som endast använder identiska ersättningsdelar.** Därmed säkerställs det att elverktygets säkerhet upprätthålls.
- **Utför aldrig service på skadade batterier.** Service på batterier får endast utföras av tillverkaren eller auktoriserade tjänstleverantörer.

Skyltar och dekaler

Produkten är försedd med skyltar och dekaler med viktig information om personlig säkerhet och produktunderhåll. Skyltarna och dekaler måste alltid vara lätta att läsa. Nya skyltar och dekaler kan beställas med hjälp av reservdelslistan.



s011050

Användbar information

Webbplats

Information om våra produkter, tillbehör, reservdelar och publicerade ärenden hittar du på webbplatsen för Desoutter

Besök: www.desouttertools.com.

Information om installationshandböcker

Detaljerade anvisningar samt installations- och uppgraderingsanvisningar finns på <https://www.desouttertools.com/resource-centre>.

Information om reservdelar

Sprängskisser och reservdelslistor finns på Service Link på www.desouttertools.com.

Ursprungsland

France

Säkerhetsdatablad MSDS/SDS

Säkerhetsdatabladet beskriver de kemiska produkter som säljs av Desoutter.


Besök Desoutters webbplats för mer information <https://www.desouttertools.com/legal/sds>.

Copyright

© Copyright 2022, Ets Georges Renault, 38 rue Bobby Sands, 44818 Saint Herblain, France

Med ensamrätt. All obehörig användning eller kopiering av innehållet eller del därav är förbjuden. Detta gäller särskilt varumärken, modellbeteckningar, artikelnummer och ritningar. Använd bara godkända delar. Skador eller fel som orsakas genom användning av icke godkända delar täcks inte av garanti eller företagets produktansvar.

Технические данные**Технические данные****Напряжение (В)**

36 В 

Вторичный привод

Модель	Тип
EABA26-560-QRX	Быстросъемный хвостовик
EABA32-410-QRX	Быстросъемный хвостовик
EABA45-330-QRX	Быстросъемный хвостовик
EABA50-450-QRX	Быстросъемный хвостовик
EABA60-370-QRX	Быстросъемный хвостовик
EABA75-300-QRX	Быстросъемный хвостовик
EABA95-240-QRX	Быстросъемный хвостовик

Диапазон крутящего момента (Нм)

Модель	Мин. / Номинал / Макс.
EABA26-560-QRX	5 / 24 / 26
EABA32-410-QRX	7 / 30 / 32
EABA45-330-QRX	9 / 40 / 45
EABA50-450-QRX	9 / 45 / 50
EABA60-370-QRX	10 / 55 / 60
EABA75-300-QRX	12 / 70 / 75
EABA95-240-QRX	19 / 90 / 95

Диапазон крутящего момента (фунт силы-фут)

Модель	Мин. / Номинал / Макс.
EABA26-560-QRX	1,12 / 5,40 / 5,85
EABA32-410-QRX	1,57 / 6,74 / 7,19
EABA45-330-QRX	2,02 / 8,99 / 10,12
EABA50-450-QRX	2,02 / 10,12 / 11,24

Модель	Мин. / Номинал / Макс.
EABA60-370-QRX	2,25 / 12,36 / 13,49
EABA75-300-QRX	2,70 / 15,74 / 16,86
EABA95-240-QRX	4,27 / 20,23 / 21,36

Номинальная скорость (об/мин)

Модель	
EABA26-560-QRX	560
EABA32-410-QRX	410
EABA45-330-QRX	330
EABA50-450-QRX	450
EABA60-370-QRX	370
EABA75-300-QRX	300
EABA95-240-QRX	240

Вес

Модель	(кг)	(фунты)
EABA26-560-QRX	2,04	4,50
EABA32-410-QRX	2,04	4,50
EABA45-330-QRX	2,21	4,87
EABA50-450-QRX	2,49	5,49
EABA60-370-QRX	2,82	6,22
EABA75-300-QRX	3,42	7,54
EABA95-240-QRX	3,46	7,63

 Вес указан без аккумуляторного блока.

Условия хранения и эксплуатации

Температура хранения	От -20 до +70 °C (от -4 до +158 F)
Рабочая температура	От 0 до 45 °C (от 32 до 113 F)
Влажность при хранении	0–95 % относительной влажности (без образования конденсата)
Рабочая влажность	0–90 % относительной влажности (без образования конденсата)
Высота до	2000 м (6562 футов)
Можно эксплуатировать при степени загрязнения 2 окружающей среды	
Эксплуатировать только в помещениях	

Спецификации беспроводного соединения RFID 13.56 MHz

Частота	13.553 MHz - 13.567 MHz
---------	-------------------------

Поле	< 42 dB μ A/m at 10 m according to ETSI EN 300 330 v2.1.1
------	---------------------------------------------------------------

Подпись заявителя

Декларации

Ответственность

В рабочей среде на процесс затяжки могут оказывать влияние различные события, которые требуют проверки результатов. В соответствии с применимыми стандартами и/или предписаниями, настоящим мы требуем от вас проверки установленного момента и направления вращения после любого события, которое может повлиять на результат затяжки. Примерами таких событий, помимо прочего, являются:

- первоначальная установка инструментальной системы;
- замена групп деталей, винтов, болтов, а также инструмента, программного обеспечения, конфигурации или среды;
- замена пневматических или электрических соединений;
- изменение в эргономике линии, техпроцессе, процедурах контроля качества или методах работы;
- замена оператора;
- любое другое изменение, влияющее на результат процесса затяжки.

Проверка должна:

- подтвердить, что характеристики соединений не изменились в результате событий, оказывающих влияние;
- проводиться после первоначальной установки, техобслуживания или ремонта оборудования;
- выполняться не менее одного раза за смену или с другой подходящей периодичностью.

ДЕКЛАРАЦИЯ О СООТВЕТСТВИИ ЕС

Компания **Ets Georges Renault**, 38 rue Bobby Sands, 44818 Saint Herblain, France, с полной ответственностью заявляет, что данное изделие (наименование, тип и серийный номер которого указаны на титульном листе) соответствует положениям следующих директив: **2006/42/ЕС, 2011/65/ЕС, 2014/53/ЕУ**.

Были применены следующие согласованные стандарты:

EN 62841-2-2:2015+AC1:2015 EN 61000-6-2:2005 EN 61000-6-3:2007+A1:2011 EN 55014-3:2006 EN 55014-2:200

Официальные органы могут запросить соответствующую техническую информацию у следующих лиц:

Pascal ROUSSY, R&D Manager, 38 rue Bobby Sands, 44818 Saint Herblain, France

Сент-Эрблен, 30.09.2021

Pascal ROUSSY, R&D Manager

Декларация по шумам и вибрации

- Уровень звуковой мощности < 70 дБ(А), погрешность 3 дБ(А) согласно EN 62841-2-2 : 2014.
- Суммарное значение вибрации < 2.5 м/с², погрешность 3 м/с² согласно EN 62841-2-2 : 2014.

Эти заявляемые характеристики получены в результате типовых лабораторных испытаний в соответствии с указанными стандартами и подходят для сравнения с заявленными характеристиками других агрегатов, испытанных в соответствии с теми же самыми стандартами. Уровень вибрации может быть использован для предварительной оценки внешнего воздействия. Эти заявленные значения не могут быть использованы при выполнении оценки рисков. Значения, полученные непосредственно на рабочем месте, могут быть выше заявленных. Значения фактического воздействия и риск причинения вреда каждого отдельного пользователя уникальны и зависят от метода работы пользователя, обрабатываемой детали и оформления рабочего места, а также от времени воздействия и состояния здоровья пользователя.

Компания **Ets Georges Renault** не может нести ответственность за последствия использования заявленных значений вместо значений, отражающих фактическое воздействие, при оценке индивидуальных рисков в ситуации на рабочем месте, которую компания не в состоянии контролировать.

При ненадлежащей манере использования данный инструмент может вызвать вибрационный синдром рук. Руководство ЕС по контролю вибрацией рук содержится на сайте <http://www.pneurop.eu/index.php> при выборе «Инструменты» и затем «Нормативы».

Мы рекомендуем программу контроля за здоровьем, которая обеспечивает раннее обнаружение симптомов вредного воздействия вибрации и позволяет своевременно пересмотреть процедуры обслуживания, чтобы предотвратить дальнейшее ухудшение.

- ❗ Если данное оборудование предназначено для закрепленных систем:
Значение излучения шума приведено в качестве руководящей информации для изготовителя устройства. Данные по излучению шума и вибрации для всего устройства должны быть приведены в руководстве по эксплуатации устройства.

Директива WEEE

Информация, касающаяся **Директивы об отходах электрического и электронного оборудования (WEEE)**:

Данное изделие и информация о нем отвечают требованиям Директивы/нормам WEEE (2012/19/EU), и оно должно утилизироваться в соответствии с директивой/нормами.

На изделии имеется маркировка в виде следующего значка:



Изделия, маркированные символом перечеркнутого передвижного мусорного контейнера и одинарной черной линии под ним, содержат части, которые должны утилизироваться в соответствии с Директивой/нормами WEEE. Изделие целиком или его детали, на которые распространяется действие Директивы WEEE, можно отправить на утилизацию в местный центр обслуживания клиентов.

Информация относительно статьи 33 в REACH

Регламент Европейского союза (ЕС) № 1907/2006, регулирующий регистрацию, экспертизу, лицензирование и оборот химических средств (REACH), определяет, помимо прочего, требования к коммуникации в цепочке поставок. Информационные требования распространяются также на продукты, которые содержат так называемые особо опасные вещества (перечень веществ-кандидатов). 27 июня 2018 года металлический свинец (CAS номер 7439-92-1) был внесен в перечень веществ-кандидатов.

В связи с вышеизложенным настоящим ставим вас в известность, что некоторые электрические и механические компоненты продукта могут содержать металлический свинец. Это соответствует действующему законодательству в отношении ограничения использования веществ и основано на законных исключениях, указанных в Директиве ЕС по ограничению использования опасных веществ RoHS (2011/65/EU). Металлический свинец не дает утечек или не видоизменяется в продукте во время нормальной эксплуатации, и концентрация металлического свинца в готовом продукте намного ниже применимого порогового значения. Необходимо учитывать местные требования к утилизации свинца после окончания срока службы продукта.

Региональные требования

⚠ ПРЕДУПРЕЖДЕНИЕ

В процессе использования данного продукта существует опасность подвергнуться воздействию химических веществ, в частности, свинца, который, согласно данным, имеющимся в штате Калифорния, вызывает раковые заболевания, врожденные дефекты развития или другие патологии репродуктивной системы. Более подробная информация представлена на веб-сайте

<https://www.p65warnings.ca.gov/>

Безопасность

НЕ ВЫБРАСЫВАТЬ — ПЕРЕДАТЬ ПОЛЬЗОВАТЕЛЮ

⚠ ПРЕДУПРЕЖДЕНИЕ Необходимо неукоснительно соблюдать все местные законодательно закрепленные правила техники безопасности, касающиеся установки, эксплуатации и техобслуживания.

Предписание по использованию

- Только для профессионального использования.
- Запрещается модифицировать данное изделие и его принадлежности каким-либо образом.
- В случае повреждения данного изделия его использование запрещено.
- Если этикетка с информацией об изделии или с предупредительными знаками на корпусе изделия стала неразборчивой или отклеилась, без промедления замените ее.
- Данное устройство должно устанавливаться, эксплуатироваться и обслуживаться только квалифицированным персоналом в промышленных условиях.

Предусмотренное применение

Данное изделие предназначено для монтажа и демонтажа крепежных элементов в дереве, металле и пластмассе. Запрещается использовать в других целях. Только для профессионального использования.

Следует использовать только аккумуляторный блок Desoutter.

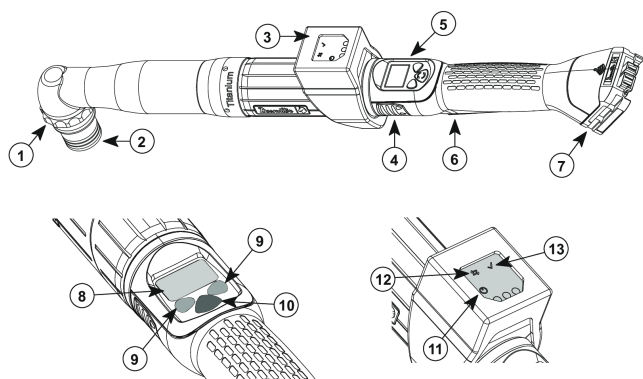
- Аккумуляторный блок 18 В 2,5 А ч, номер детали 6158132660
- Аккумуляторный блок 36 В 2,5 А ч, номер детали 6158132670

Аккумуляторные блоки следует заряжать **только** с помощью зарядного устройства для аккумуляторных блоков Desoutter (6158132700).

Подробные инструкции см. в Инструкциях по технике безопасности аккумуляторного блока (6159925310) и Инструкциях по применению, представленных на сайте на нескольких языках <https://www.desouttertools.com/resource-centre>

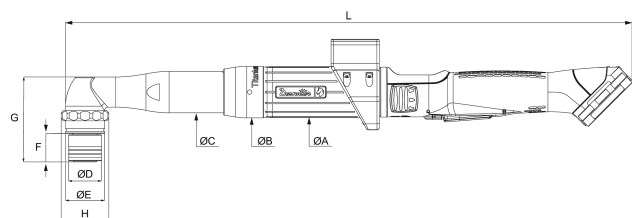
Особые инструкции по устройству

Описание продукта



- | | |
|----|----------------------------------------------------|
| 1 | Монтажный переходник для Crowfoot |
| 2 | Быстроразъемный выход |
| 3 | Устройство для считывания QR |
| 4 | Информационные светодиоды |
| 5 | Дисплей и кнопки |
| 6 | Курок |
| 7 | Занимаемая площадь аккумулятора |
| 8 | Дисплей |
| 9 | Программирующие кнопки |
| 10 | Кнопка реверса |
| 11 | Индикатор показывает, что принадлежность включена. |
| 12 | Выполняются считывание/запись |
| 13 | Присвоенный Pset готов. |

Размеры (мм)



Модель	L	ØA	ØB
EABA26-560-QRX	496	46	46
EABA32-410-QRX	496	46	46
EABA45-330-QRX	506	46	46
EABA50-450-QRX	546	46	46
EABA60-370-QRX	559	46	58
EABA75-300-QRX	582	46	58
EABA95-240-QRX	582	46	58

Модель	ØC	D	E
EABA26-560-QRX	37	25	28
EABA32-410-QRX	37	25	28
EABA45-330-QRX	37	30	35
EABA50-450-QRX	37	30	35

EABA60-370-QRX	41	33	40
EABA75-300-QRX	49	34	43
EABA95-240-QRX	49	34	43

Модель	F	G	H
EABA26-560-QRX	22	68	35
EABA32-410-QRX	22	68	35
EABA45-330-QRX	25	76	44
EABA50-450-QRX	25	76	44
EABA60-370-QRX	27	85	49
EABA75-300-QRX	28	88	52
EABA95-240-QRX	28	88	52

Общие требования безопасности при установке

Проводить установку разрешается только силами квалифицированного персонала.

Надежно подвесьте инструмент, например, с помощью балансирующего устройства. При использовании подвешенного хомута убедитесь, что он находится в хорошем состоянии и закреплен надлежащим образом.

Для проводных инструментов: Систему всегда следует подключать к заземленной сетевой розетке. Перед подсоединением или отсоединением кабеля инструмента обязательно убедитесь, что сетевая вилка отключена, а контроллер выключен.

Общие требования безопасности при эксплуатации

- **Запрещается надевать перчатки в связи с риском наматывания.**
- **Будьте готовы к отдаче, возникающей при работе инструмента.** Следует всегда крепко упираться в рукоятку инструмента в направлении, противоположном вращению шпинделя, чтобы уменьшить воздействие внезапно возникающего реактивного крутящего момента в процессе окончательной затяжки и первоначального ослабления крепежа.
- **Запрещается удерживать привод, головку или удлинитель.**
- **Операторы и обслуживающий персонал должны быть физически в состоянии управляться с грузом, весом и мощностью инструмента.**
- **По возможности используйте подвеску для поглощения реактивного момента.** Если это невозможно, то для инструментов с прямым корпусом и с pistol-style рукояткой рекомендуется использовать боковые рукоятки, а для угловых гайковертов — реактивные штанги. Рекомендуется использовать средства для поглощения реактивного момента свыше 4 Нм (3 фунт-сила-футов) для инструментов с прямым корпусом, свыше 10 Нм (7,5 фунт-сила-фута) для

инструментов с pistolетной рукояткой и свыше 60 Нм (44 фунт-сила-футов) для угловых гайковертов.

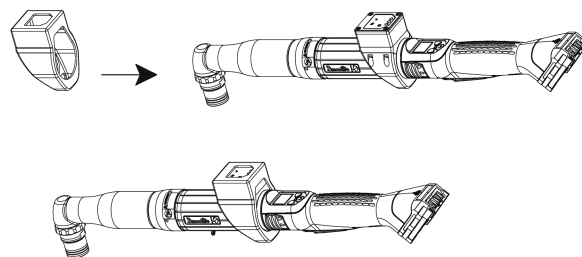
- **Перетянутые или недотянутые крепежные элементы могут стать причиной серьезной травмы.** Блоки, требующие конкретного момента затяжки, должны проверяться с помощью датчика момента. Так называемые «щелкающие» динамометрические ключи не проверяют узлы на потенциально опасные превышения крутящего момента. Перетянутые или недотянутые крепежные элементы могут сломаться или ослабнуть и отделиться. Незакрепленные блоки могут разлетаться.
- **Следует использовать только силовые или ударные головки в хорошем состоянии.** Не используйте головки для ручного инструмента.
- **При использовании механизированного инструмента могут возникать неприятные ощущения в кистях, предплечьях, плечах, шее или других частях тела.** Принимайте удобные положения тела и ног, избегая неуклюжих или неустойчивых поз в течение рабочего дня.
- **Повторяющиеся рабочие движения, неудобные положения и воздействие вибрации могут быть опасны для рук.** При онемении, покалывании, боли или побледнении кожи прекратите работу с инструментом и проконсультируйтесь с врачом.
- **Проявляйте осторожность при работе в скрытых пространствах.** Остерегайтесь раздавливания рук между инструментом и обрабатываемой деталью.
- **Высокие уровни шума могут вызвать постоянную потерю слуха.** Используйте средства защиты органов слуха, рекомендованные вашим работодателем или правилами охраны труда и техники безопасности.
- **Убедитесь, что обрабатываемая деталь закреплена надежно.**
- **Соблюдайте осторожность при работе в незнакомом месте.** Остерегайтесь потенциальных опасностей, создаваемых вашими рабочими действиями. Этот инструмент не изолирован от соприкосновения с источниками электропитания.

Инструменты, используемые с опорной планкой: При работе с инструментом никогда не кладите руки рядом с опорной планкой. Остерегайтесь вращательного движения шпинделя перед запуском инструмента, поскольку направление действия силы реакции может оказаться неожиданным, из-за чего существует риск получения травм с размождением тканей.

Инструменты, содержащие расцепную муфту: Сразу после регулировки расцепной муфты проверьте правильность ее срабатывания.

Установка крышки на считывающее устройство

- ⓘ Настоятельно рекомендуется установить входящую в комплект крышку, чтобы защитить считывающее устройство от ударов и повреждения.



Вставьте крышку в инструмент.
С усилием насадите ее на считывающее устройство.

Установка аккумуляторного блока



Вставьте аккумуляторный блок спереди или сзади инструмента до щелчка.

Выключатель ВКЛ./ВЫКЛ. отсутствует: инструмент готов к работе сразу после установки аккумуляторного блока.

Когда инструмент включен, мигает светодиод инструмента.

УВЕДОМЛЕНИЕ Рекомендации по эксплуатации аккумуляторного блока

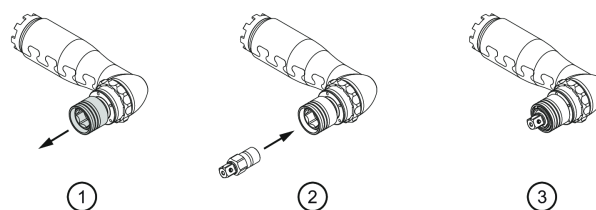
Обеспечьте более долгий срок службы аккумуляторного блока.

- ▶ Отключайте аккумуляторный блок, когда инструмент не используется.

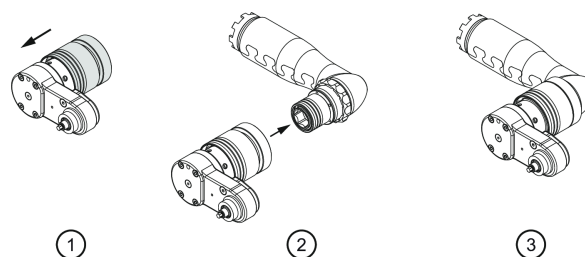
Не оставляйте аккумуляторный блок в зарядном устройстве, когда зарядное устройство отключено от источника питания.

Как подключить принадлежности

Розетка



Crowfoot



Включите принадлежность в быстроразъемный выход, как показано, назначьте ей Pset.

Запуск инструмента

Установите инструмент в подходящее гнездо.

Выберите подходящий Pset.

Удерживайте инструмент при помощи рукоятки и используйте его для затяжки крепежного элемента.

⚠ ПРЕДУПРЕЖДЕНИЕ Опасность получения травмы

Поскольку сила реакции увеличивается пропорционально моменту затяжки, существует риск получения серьезной телесной травмы оператором в результате неожиданного поведения инструмента.

- ▶ Убедитесь в том, что инструмент находится в исправном рабочем состоянии и что система правильно запрограммирована.

Для запуска инструмента нажмите на пусковую кнопку.

Как поменять направление вращения



1 Включите кнопку реверса

Нажмите эту кнопку.

Красный и зеленый диод мигают попеременно.

Закрепите инструмент в крепежном устройстве и нажмите пусковой механизм.

Общие требования безопасности при периодическом и текущем техническом обслуживании

Во избежание случайного запуска контроллер всегда должен быть выключен во время технического обслуживания.

Проводить обслуживание разрешается только силами квалифицированного персонала.

Инструкции по очистке

Детали следует очищать с помощью влажной ткани. Следует использовать только воду. Нельзя применять чистящие средства, содержащие растворители.

Обратитесь к специалисту по техническому обслуживанию компании Desoutter, чтобы получить советы по очистке в соответствии с текущими рекомендациями для вашего конкретного инструмента.

Общие предупреждения по безопасной работе с электроинструментами

⚠ ПРЕДУПРЕЖДЕНИЕ Ознакомьтесь со всеми предупреждениями, инструкциями, иллюстрациями и спецификациями в отношении соблюдения техники безопасности, прилагаемыми к данному электроинструменту.

Несоблюдение всех приведенных ниже инструкций может привести к поражению электрическим током, пожару и/или тяжелой травме.

Сохраните все предупреждения и инструкции для использования в дальнейшей работе.

В предупреждениях под термином «электроинструмент» подразумевается работающий от сети (проводной) или работающий от аккумулятора (беспроводной) электроинструмент.

Техника безопасности на рабочем месте

- **Поддерживайте чистоту и хорошую освещенность на рабочем месте.** Загроможденные или плохо освещенные рабочие места являются причиной травматизма.
- **Не работайте с электроинструментами во взрывоопасной среде, в которой присутствуют огнеопасные жидкости, газы или пыль.** Электроинструменты создают искры, которые могут воспламенить пыль или пары.
- **Не подпускайте детей и посторонних близко к работающему электроинструменту.** Не отвлекайтесь, иначе вы можете потерять контроль.

Электрическая безопасность

- **Штепсели электроинструментов должны подходить к розетке. Запрещается модифицировать вилку каким-либо образом. Не используйте переходные разъемы с заземленными электроинструментами.** Немодифицированные вилки и подходящие розетки снижают риск поражения электрическим током.
- **Избегайте физического контакта с такими заземленными или замкнутыми на землю поверхностями, как трубы, радиаторы, кухонные плиты и холодильники.** Риск поражения электрическим током повышается, если ваше тело соприкасается с заземленным или замкнутым на землю предметом.
- **Не подвергайте электроинструменты воздействию дождя или сырой погоды.** Попадание воды в электроинструмент повышает риск поражения электрическим током.
- **Запрещается использовать кабели не по назначению. Запрещается переносить, перемещать или отключать от розетки электроинструмент, потянув за кабель. Не допускайте нагрева кабелей и держите их подальше от масла, острых углов и движущихся частей.** Поврежденные или оборванные кабели повышают риск поражения электрическим током.

- При работе с электроинструментом на улице используйте удлинитель, который подходит для наружных работ. Использование кабеля, который подходит для наружных работ, снижает риск поражения электрическим током.
- Если работы с электроинструментом во влажных помещениях невозможно избежать, питание к электроинструменту должно подаваться через устройство защитного отключения (УЗО). Использование УЗО снижает риск поражения электрическим током.

Индивидуальная техника безопасности

- Будьте внимательны, следите за своими действиями и полагайтесь на здравый смысл при работе с электроинструментом. Не используйте электроинструмент в состоянии усталости или под воздействием наркотиков, алкоголя или лекарств. Ослабление внимания на один момент при работе с электроинструментом может привести к тяжелой телесной травме.
- Пользуйтесь индивидуальными защитными средствами. Всегда надевайте защитные очки. Такое защитное снаряжение, как респиратор, нескользящая специальная обувь, каска или средства защиты слуха, применяемые в соответствующих условиях, снижают риск получения травмы.
- Не допускайте непреднамеренного включения. Перед подключением к источнику питания и/или блоку аккумуляторов, поднятием или переноской инструмента убедитесь, что переключатель установлен в положение Выкл. Переноска электроинструмента с пальцем на переключателе или подключение электроинструментов, оснащенных переключателем, может привести к несчастным случаям.
- Извлеките из инструмента все регулировочные ключи или гайковерты перед включением электроинструмента. Гайковерт или ключ, прикрепленный к вращающейся части электроинструмента, может стать причиной травмы.
- Не переоценивайте свои силы. Прочно держитесь на ногах и сохраняйте равновесие. Это обеспечивает лучший контроль при работе с электроинструментом в неожиданных ситуациях.
- Надевайте подходящую одежду. Не носите свободную одежду или украшения. Держите волосы и одежду подальше от движущихся частей. Свободная одежда, украшения или длинные волосы могут быть захвачены движущимися частями.
- Если имеются коллекторы для удаления и сбора пыли, убедитесь, что они подключены и используются надлежащим образом. Использование устройств для удаления пыли может снизить риски, связанные с пылью.
- Не допускайте, чтобы ваш опыт работы с инструментами позволил вам расслабиться и игнорировать правила техники безопасности. Беспечные действия могут привести к тяжелой травме за долю секунды.

- При выполнении работ, когда есть вероятность того, что крепежное устройство может коснуться скрытой проводки или собственного сетевого кабеля, держите силовой инструмент за изолированные поверхности. При удерживании металлических деталей инструмента, в случае контакта крепежного устройства с находящимся под напряжением проводом, возможно поражение оператора электрическим током.

Использование и уход за электроинструментом

- Запрещается тянуть за провод питания. Используйте только тот электроинструмент, который подходит для ваших задач. Правильно выбранный электроинструмент выполнит работу лучше и безопаснее при его проектной скорости.
- Не используйте электроинструмент, если он не включается и не выключается при помощи переключателя. Любой электроинструмент с неисправным переключателем является опасным и должен быть отправлен в ремонт.
- Отключите штепсель от источника питания и/или блока аккумуляторов, если он является съемным, из электроинструмента перед выполнением каких-либо регулировок, заменой принадлежностей или хранением электроинструментов. Подобные превентивные меры безопасности снижают риск случайного запуска электроинструмента.
- Храните неработающие электроинструменты в недоступном для детей месте и не позволяйте лицам, не имеющим навыков работы с электроинструментами или не ознакомленным с данными инструкциями, работать с электроинструментом. Электроинструменты представляют опасность в руках неопытных пользователей.
- Проводите техническое обслуживание электроинструментов и принадлежностей. Проверьте стыковку или фиксацию движущихся частей, отсутствие разрыва частей и любое другое состояние, которое может негативно повлиять на работу электроинструмента. При наличии повреждений отремонтируйте электроинструмент перед использованием. Много несчастных случаев происходит по причине того, что электроинструменты ненадлежащим образом проходят техническое обслуживание.
- Держите режущие инструменты заточенными и чистыми. Надлежащим образом проходящие техосмотр режущие инструменты с острыми режущими краями с наименьшей вероятностью защемятся, и ими легче управлять.
- Используйте электроинструмент, принадлежности и насадки инструмента в соответствии с данными инструкциями, учитывая рабочие условия и выполняемую задачу. Использование электроинструмента не по назначению может привести к опасной ситуации.

- Не допускайте попадания влаги, грязи, масла и смазки на рукоятки и хватные поверхности. Скользкие рукоятки и хватные поверхности не могут обеспечить безопасность при обращении с инструментом в неожиданных ситуациях.

Уход за аккумуляторным инструментом

- Перезаряжайте аккумуляторы только с помощью зарядного устройства, указанного производителем. Зарядное устройство, которое подходит для одного типа аккумуляторного блока, может стать опасным и вызвать возгорание при использовании с другим аккумуляторным блоком.
- Оснащайте электроинструменты только специально предназначенными аккумуляторными блоками. Использование других аккумуляторных блоков может представлять риск травмы или пожара.
- Когда аккумуляторный блок не используется, держите его подальше от других металлических объектов, например, скрепок, монет, ключей, гвоздей, винтов или других мелких металлических предметов, который могут соединить клеммы между собой. Если замкнуть между собой клеммы аккумулятора, это может вызвать обгорание или пожар.
- В ненадлежащих условиях жидкость может выделяться из батареи; избегайте контакта. Если контакт произошел случайно, сполосните водой. Если жидкость попала в глаза, обратитесь за медицинской помощью. Выделяющаяся из аккумулятора жидкость может вызвать раздражение или ожоги.
- Не используйте поврежденные или модифицированные аккумуляторные блоки или инструменты. Поврежденные или модифицированные аккумуляторы могут вести себя непредсказуемо и стать причиной пожара, взрыва или травмы.
- Не повергайте аккумуляторный блок или инструмент воздействию огня или высоких температур. Воздействие огня или температуры выше 130 °C может привести к взрыву.
- Выполняйте все инструкции по зарядке и не заряжайте аккумуляторный блок или инструмент при температуре, не соответствующей пределам температур, указанных в инструкции. Ненадлежащая зарядка или зарядка при температуре, не соответствующей указанным пределам, могут повредить аккумуляторный блок и повысить риск возникновения пожара.

Техническое обслуживание

- Техническое обслуживание инструмента должно проводиться только квалифицированными техническим персоналом с использованием только идентичных сменных деталей. Это обеспечит безопасность электроинструмента.

- Запрещается обслуживать поврежденные аккумуляторные блоки. Обслуживание аккумуляторных блоков должно выполняться только производителем или официальной сервисной службой.

Обозначения и наклейки

На данном изделии имеются знаки и наклейки, содержащие важную информацию по технике безопасности и техобслуживанию изделия. Знаки и наклейки должны всегда оставаться разборчивыми. Новые знаки и наклейки можно заказать по перечню запчастей.



s011050

Полезные сведения

Веб-сайт

На веб-сайте Desoutter представлена информация о наших изделиях, принадлежностях, запасных частях, а также печатные материалы.

Посетите: www.desouttertools.com.

Информация о руководствах по установке

Подробные инструкции по эксплуатации, руководства по монтажу и обновлению см. на сайте <https://www.desouttertools.com/resource-centre>.

Информация о запасных частях

Трехмерные представления деталей и перечни запасных частей можно найти в разделе «Service Link» на сайте www.desouttertools.com.

Страна происхождения

France

Паспорта безопасности (MSDS / SDS)

В паспортах безопасности продукции описаны химические продукты, поставляемые компанией Desoutter.

Посетите веб-сайт компании Desoutter, чтобы ознакомиться с более подробной информацией <https://www.desouttertools.com/legal/sds>.

Авторское право

© Авторское право, 2022, Ets Georges Renault, 38 rue Bobby Sands, 44818 Saint Herblain, France

Все права защищены. Любое несанкционированное использование или копирование содержимого настоящего документа или его части запрещено. В частности, это относится к товарным знакам, названиям

моделей, номерам деталей и чертежам. Используйте только разрешенные запасные части. Любые повреждения или неисправности, возникшие в результате использования неразрешенных запасных частей, не попадают под действие гарантии и ответственности производителя за продукцию.

Dane techniczne

Dane techniczne

Napięcie (V)

36 V 

Wał wyjściowy

Model	Typ
EABA26-560-QRX	Wyjście szybkozłączki
EABA32-410-QRX	Wyjście szybkozłączki
EABA45-330-QRX	Wyjście szybkozłączki
EABA50-450-QRX	Wyjście szybkozłączki
EABA60-370-QRX	Wyjście szybkozłączki
EABA75-300-QRX	Wyjście szybkozłączki
EABA95-240-QRX	Wyjście szybkozłączki

Zakres momentu obrotowego (Nm)

Model	Min./nominalnie/maks.
EABA26-560-QRX	5/24/26
EABA32-410-QRX	7/30/32
EABA45-330-QRX	9/40/45
EABA50-450-QRX	9/45/50
EABA60-370-QRX	10/55/60
EABA75-300-QRX	12/70/75
EABA95-240-QRX	19/90/95

Zakres momentu obrotowego (ft.lb)

Model	Min./nominalnie/maks.
EABA26-560-QRX	1,12/5,40/5,85
EABA32-410-QRX	1,57/6,74/7,19
EABA45-330-QRX	2,02/8,99/10,12
EABA50-450-QRX	2,02/10,12/11,24
EABA60-370-QRX	2,25/12,36/13,49
EABA75-300-QRX	2,70/15,74/16,86
EABA95-240-QRX	4,27/20,23/21,36

Prędkość znamionowa (obr/min)

Model	
EABA26-560-QRX	560
EABA32-410-QRX	410
EABA45-330-QRX	330

Model

EABA50-450-QRX	450
EABA60-370-QRX	370
EABA75-300-QRX	300
EABA95-240-QRX	240

Masa

Model	(kg)	(lb)
EABA26-560-QRX	2.04	4.50
EABA32-410-QRX	2.04	4.50
EABA45-330-QRX	2.21	4.87
EABA50-450-QRX	2.49	5.49
EABA60-370-QRX	2.82	6.22
EABA75-300-QRX	3.42	7.54
EABA95-240-QRX	3.46	7.63

 Waga jest podana bez akumulatora.

Warunki przechowywania i eksploatacji

Temperatura przechowywania	Od -20 do 70°C (od -4 do 158°F)
Temperatura robocza	od 0 do 45 °C (od 32 do 113°F)
Wilgotność otoczenia przechowywania	0-95 % rH (bez kondensacji)
Wilgotność otoczenia pracy	0-90 % rH (bez kondensacji)
Maksymalna wysokość n.p.m.	2000 m (6562 stóp)
Nadaje się do eksploatacji w środowisku o 2. stopniu zanieczyszczenia	
Wyłącznie do użytku wewnętrznego	

Specyfikacja komunikacji bezprzewodowej

RFID 13,56 MHz

Częstotliwość	13,553 MHz - 13,567 MHz
H-Field	< 42 dBμA/m at 10 m according to ETSI EN 300 330 v2.1.1

Deklaracje

Odpowiedzialność

Wiele zdarzeń występujących w środowisku roboczym może mieć wpływ na proces dokręcania i wymaga potwierdzenia wyników. Zgodnie z obowiązującymi normami i/lub przepisami, wymagamy niniejszym sprawdzenia zainstalowanego momentu obrotowego i kierunku obrotów po

Safety Information

wystąpieniu każdego zdarzenia, które może mieć wpływ na wynik dokręcania. Poniżej podano niektóre przykłady takich zdarzeń:

- początkowe zamontowanie systemu narzędziowego
- zmiana partii części, partii śrub, wkrętów, narzędzia, oprogramowania, konfiguracji lub środowiska
- zmiana połączeń pneumatycznych lub elektrycznych
- zmiana ergonomii linii, procesu, procedur lub praktyk jakościowych
- zmiana operatora
- wszelkie inne zmiany, które mają wpływ na wynik procesu dokręcania

Kontrola powinna:

- Zagwarantować, że warunki wykonywania połączenia nie uległy zmianie z powodu wystąpienia zdarzeń mogących mieć wpływ.
- Zostać wykonana po początkowym zamontowaniu, konserwacji lub naprawie sprzętu.
- Zostać wykonana co najmniej raz na każdą zmianę roboczą lub z inną odpowiednią częstotliwością.

DEKLARACJA ZGODNOŚCI UE

Firma **Ets Georges Renault**, 38 rue Bobby Sands, 44818 Saint Herblain, France oświadcza na swoją wyłączną odpowiedzialność, że produkt (którego nazwę, typ i numer seryjny podano na stronie tytułowej) jest zgodny z postanowieniami następującej dyrektywy (dyrektyw): **2006/42/WE, 2011/65/WE, 2014/53/UE**

Zastosowane normy zharmonizowane:

EN 62841-2-2:2015+AC1:2015 EN 61000-6-2:2005 EN 61000-6-3:2007+A1:2011 EN 55014-3:2006 EN 55014-2:200

Władze mogą zażądać istotnych informacji technicznych od: Pascal ROUSSY, R&D Manager, 38 rue Bobby Sands, 44818 Saint Herblain, France

Saint-Herblain, 2021/09/13

Pascal ROUSSY, R&D Manager

Podpis osoby zatwierdzającej

Oświadczenie o poziomie hałasu i drgań

- Poziom natężenia dźwięku < 70 dB(A), niepewność 3 dB(A), zgodnie z EN 62841-2-2 : 2014.
- Łączna wielkość drgań < 2.5 m/s², niepewność 3 m/s², zgodnie z EN 62841-2-2 : 2014.

Te deklarowane wartości zostały uzyskane w ramach prób laboratoryjnych zgodnie z wymienionymi standardami. Można ich używać do porównywania z wartościami deklarowanymi innymi narzędzi przetestowanych zgodnie z tymi samymi standardami. Wartości poziomu emisji drgań można też używać do wstępnej oceny oddziaływania. Nie można ich używać do oceny ryzyka, a wartości zmierzone

w poszczególnych miejscach pracy mogą być wyższe. Rzeczywiste wartości oddziaływania i ryzyko obrażeń poszczególnych użytkowników są unikatowe i zależą od sposobu pracy użytkownika, przedmiotu obrabianego i konstrukcji stanowiska pracy, a także czasu oddziaływania i warunków fizycznych użytkownika.

Firma **Ets Georges Renault** nie może ponosić odpowiedzialności za skutki stosowania deklarowanych wartości, zamiast wartości odzwierciedlających rzeczywiste narażenie na hałas i drgania, w przypadku indywidualnej oceny zagrożeń występujących w konkretnej sytuacji w miejscu pracy, nad którą firma Desoutter nie sprawuje kontroli.

Niniejsze narzędzie może powodować wystąpienie syndromu drgań rąk-ramion (HAVS), jeśli nie jest używane we właściwy sposób. Informator Rady Unii Europejskiej dotyczący ochrony przed drganiami przenoszonymi na ręce operatora można jest dostępny na stronie <http://www.pneurop.eu/index.php> po wybraniu „Tools” (Narzędzia), a następnie „Legislation” (Ustawodawstwo).

Zalecamy przeprowadzanie badań okresowych, mających na celu wykrycie objawów związanych z działaniem drgań, aby umożliwić zmianę procedur i zapobiec dalszemu pogorszeniu stanu zdrowia.

i Jeśli niniejszy sprzęt jest przeznaczony do mocowania w uchwytach:

Wielkość emisji hałasu jest podawana jako wskazówka dla konstruktora narzędzia. Odnoszące się do całego narzędzia dane dotyczące emisji drgań i hałasu powinny być zamieszczone w instrukcji obsługi narzędzia.

Dyrektywa WEEE

Informacje dotyczące dyrektywy w sprawie **utilizacji zużytego sprzętu elektrycznego i elektronicznego (WEEE)**:

Niniejszy produkt wraz z dotyczącymi go informacjami spełnia wymagania dyrektywy /rozporządzeń WEEE (2012/19/EU) i musi być utylizowany zgodnie z tą dyrektywą/tymi rozporządzeniami.

Produkt jest oznaczony następującym symbolem:



Produkty oznaczane symbolem przekreślonego pojemnika na odpady na kółkach oraz jednym czarnym paskiem pod spodem zawierają części, z którymi należy postępować zgodnie z dyrektywą/rozporządzeniami WEEE. Cały produkt lub części oznaczone symbolem „WEEE” można przesłać do lokalnego Centrum Obsługi Klienta w celu utylizacji.

Informacje dotyczące artykułu 33 rozporządzenia REACH

Rozporządzenie Unii Europejskiej (UE) nr 1907/2006 w sprawie rejestracji, oceny, udzielenia zezwoleń i stosowanych ograniczeń w zakresie chemikaliów (REACH) definiuje między innymi wymagania dotyczące komunikacji w łańcuchu dostaw. Wymóg informacyjny ma zastosowanie

do produktów zawierających tak zwane substancje stanowiące bardzo duże zagrożenie (lista kandydacka). 27 czerwca 2018 do listy kandydackiej dodano ołów (CAS nr 7439-92-1).

W związku z powyższym niniejszy dokument służy poinformowaniu, że niektóre podzespoły elektryczne i mechaniczne produktu mogą zawierać ołów. Jest zgodny z obowiązującymi przepisami dotyczącymi substancji zakazanych i został opracowany w oparciu o zatwierdzone wyłączenia w dyrektywie RoHS (2011/65/UE). Ołów nie będzie wyciekał z produktu ani zmieniał formy podczas normalnej eksploatacji i jego stężenie w całym produkcie jest znacznie niższe niż obowiązująca wartość graniczna. Należy przestrzegać lokalnych wymagań dotyczących utylizacji ołowiu po upływie okresu eksploatacji produktu.

Wymagania regionalne

⚠ OSTRZEŻENIE

Ten produkt może narazić użytkownika na kontakt z chemikaliami, między innymi ołowiem, który wg władz stanu Kalifornia powoduje raka, wady wrodzone i upośledzenie płodności. Więcej informacji podano w witrynie

<https://www.p65warnings.ca.gov/>

Bezpieczeństwo

Nie wyrzucać — przekazać użytkownikowi

⚠ OSTRZEŻENIE Należy zawsze przestrzegać wszystkich lokalnych przepisów dotyczących instalacji, obsługi i konserwacji.

Oświadczenie o przeznaczeniu

- Wyłącznie do użytku profesjonalnego.
- Nie wolno w żaden sposób modyfikować produktu ani jego akcesoriów.
- Nie należy użytkować uszkodzonego produktu.
- Jeśli umieszczone na produkcie etykiety zawierające dane produktu lub ostrzegające przed niebezpieczeństwem przestaną być czytelne lub odpadną, należy je niezwłocznie wymienić.
- Produkt musi być instalowany, obsługiwany i serwisowany wyłącznie przez wykwalifikowaną osobę w warunkach przemysłowych.

Przeznaczenie

Niniejszy produkt służy do dokręcania i wykręcania gwintowanych elementów złącznych w drewnie, metalu lub tworzywie sztucznym. Inne zastosowania są niedozwolone. Tylko do zastosowań profesjonalnych.

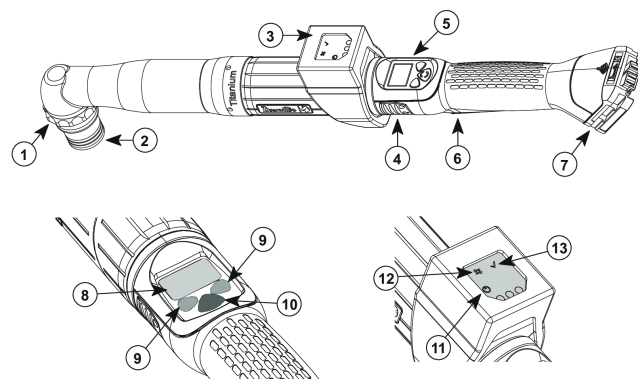
Należy używać wyłącznie następujących akumulatorów firmy Desoutter.

- Akumulator 18 V 2,5 Ah, numer części 6158132660
- Akumulator 36 V 2,5 Ah, numer części 6158132670

Akumulatory należy ładować **wyłącznie** przy użyciu ładowarki akumulatorów firmy Desoutter (6158132700). Pełne instrukcje znajdują się w Instrukcji bezpieczeństwa ładowarki akumulatorów (6159925310) oraz Instrukcji produktu dostępnych w różnych wersjach językowych na stronie <https://www.desouttertools.com/resource-centre>

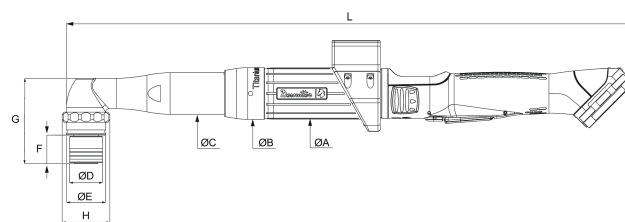
Instrukcje dotyczące produktu

Opis produktu



- 1 Prześciówka montażowa do Crowfoot
- 2 Szybkozłączka wyjściowa
- 3 Czytnik osprzętu QR
- 4 Sygnalizacyjne diody LED
- 5 Wyświetlacz i przyciski
- 6 Spust
- 7 Uchwyt akumulatora
- 8 Wyświetlacz
- 9 Przyciski programowania
- 10 Przycisk zmiany kierunku
- 11 Wskaźnik pokazujący, że osprzęt jest włączony.
- 12 Czytanie/pisanie w toku
- 13 Przypisany Pset jest gotowy.

Wymiary (mm)



Model	L	ØA	ØB
EABA26-560-QRX	496	46	46
EABA32-410-QRX	496	46	46
EABA45-330-QRX	506	46	46
EABA50-450-QRX	546	46	46
EABA60-370-QRX	559	46	58
EABA75-300-QRX	582	46	58
EABA95-240-QRX	582	46	58

Safety Information

Model	ØC	D	E
EABA26-560-QRX	37	25	28
EABA32-410-QRX	37	25	28
EABA45-330-QRX	37	30	35
EABA50-450-QRX	37	30	35
EABA60-370-QRX	41	33	40
EABA75-300-QRX	49	34	43
EABA95-240-QRX	49	34	43

Model	F	G	H
EABA26-560-QRX	22	68	35
EABA32-410-QRX	22	68	35
EABA45-330-QRX	25	76	44
EABA50-450-QRX	25	76	44
EABA60-370-QRX	27	85	49
EABA75-300-QRX	28	88	52
EABA95-240-QRX	28	88	52

Ogólne zasady bezpieczeństwa podczas instalowania

Instalowanie należy powierzać wyłącznie wykwalifikowanemu personelowi.

Narzędzie należy bezpiecznie zawiesić, używając na przykład przeciwwagi. W przypadku korzystania z jarma podtrzymującego sprawdzić, czy jest ono w dobrym stanie i czy jest poprawnie zamocowane.

Narzędzia przewodowe: Urządzenie należy zawsze podłączać do gniazda elektrycznego z uziemieniem. Przed podłączeniem/odłączeniem kabla narzędzia należy zawsze sprawdzić, czy wtyczka zasilania jest odłączona oraz czy sterownik jest wyłączony.

Ogólne zasady bezpieczeństwa obsługi

- **Z uwagi na niebezpieczeństwa pochwycenia nie należy zakładać rękawic.**
- **Należy być przygotowanym na siły reakcyjne powstające przy używaniu narzędzia.** Aby zmniejszyć wpływ nagłego zadziałania momentu obrotowego podczas końcowej fazy dokręcania i początkowej fazy odkręcania, należy podtrzymywać rękojeść narzędzia w kierunku przeciwnym do obrotów wrzeciona.
- **W żadnym wypadku nie wolno chwytać mechanizmu napędowego, nasadki lub przedłużki mechanizmu napędowego.**
- **Operatorzy i personel konserwacyjny muszą być fizycznie zdolni do obsługi narzędzia o określonej wielkości, masie i mocy.**
- **Jeśli to możliwe, należy posługiwać się podwieszanym ramieniem w celu zamortyzowania reakcyjnego momentu obrotowego.** Jeśli jest to niemożliwe, zaleca się używanie rękojeści bocznych w przypadku narzędzi z uchwytem prostym i uchwytem pistoletowym; w przypadku kątowych kluczy do nakrętek zaleca się używanie drążków reakcyjnych. Zaleca się stosowanie odpowiednich sposobów amortyzowania reakcyjnego

momentu obrotowego o wartości powyżej 4 Nm (3 lbf.ft) w przypadku narzędzi z uchwytem prostym, o wartości powyżej 10 Nm (7,5 lbf.ft) w przypadku narzędzi z uchwytem pistoletowym i o wartości powyżej 60 Nm (44 lbf.ft) w przypadku kątowych kluczy do nakrętek.

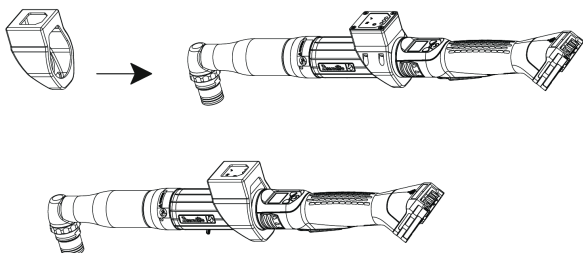
- **Dokręcenie elementów złącznych zbyt wysokim lub zbyt niskim momentem obrotowym może prowadzić do poważnego zranienia.** Zespoły wymagające określonego momentu dokręcania należy sprawdzić przy użyciu miernika momentu. Klucze dynamometryczne z mechanizmem zapadkowym nie zapewniają dostatecznej kontroli nad potencjalnie niebezpiecznym stanem przeciążenia w wyniku nadmiernego momentu obrotowego. Elementy złączne dokręcone zbyt wysokim lub niskim momentem obrotowym mogą pęknąć, poluzować lub odłączyć się. Uwolnione elementy zespołów mogą zostać wyrzucone z dużą siłą.
- **Używać wyłącznie będących w dobrym stanie nasadek przeznaczonych do elektronarzędzi lub do narzędzi udarowych.** Nie wolno używać nasadek przeznaczonych do narzędzi ręcznych.
- **Podczas używania elektronarzędzia operator może odczuwać dyskomfort w dłoniach, ramionach, barkach, szyi lub innych częściach ciała.** W ciągu dnia pracy należy zmieniać pozycję ciała, zapewnić bezpieczne oparcie dla stóp i unikać pozycji nienaturalnych lub uniemożliwiających utrzymanie równowagi.
- **Powtarzające się ruchy rąk, nienaturalne pozycje ciała oraz narażenie na drgania mogą być szkodliwe dla dłoni i ramion.** W przypadku wystąpienia drętwienia, mrowienia, bólu lub bladeści skóry należy zaprzestać używania narzędzia i zasięgnąć porady lekarza.
- **Zachować ostrożność podczas użytkowania w ograniczonych przestrzeniach.** Należy uważać na ręce, aby nie uległy zmiażdżeniu między narzędziem a obrabianym przedmiotem.
- **Wysoki poziom hałasu może spowodować trwałą utratę słuchu.** Należy stosować ochronniki słuchu zalecane przez pracodawcę lub przepisy bezpieczeństwa i higieny pracy.
- **Upewnić się, że obrabiany przedmiot jest pewnie zamocowany.**
- **Należy zachować ostrożność w nieznanym otoczeniu.** Należy mieć świadomość istnienia potencjalnych zagrożeń powodowanych przez wykonywane prace. Niniejsze narzędzie nie ma izolacji zabezpieczającej przed kontaktem ze źródłami zasilania energią elektryczną.

Narzędzia używane z drążkiem reakcyjnym: Nie umieszczać ręki w pobliżu drążka reakcyjnego, gdy narzędzie jest w użyciu. Przed uruchomieniem narzędzia należy sprawdzić kierunek obrotów wrzeciona; siła reakcji może zadziałać w nieoczekiwanym kierunku i spowodować zmiażdżenie.

Narzędzia zawierające sprzęgło: Po wyregulowaniu sprzęgła należy natychmiast sprawdzić prawidłowość jego działania.

Sposób montażu osłony na czytniku

- i** Zaleca się zainstalowanie osłony dostarczonej w opakowaniu w celu ochrony czytnika przed wstrząsami i uszkodzeniami.



Wsunąć osłonę na narzędzie.
Dociśnij ją mocno do czytnika.

Wkładanie akumulatora



Akumulator należy włożyć z przodu lub z tyłu narzędzia do usłyszenia wyraźnego dźwięku blokady.

Nie ma przełącznika WŁ./WYŁ.: narzędzie jest gotowe do pracy bezpośrednio po zamontowaniu akumulatora.

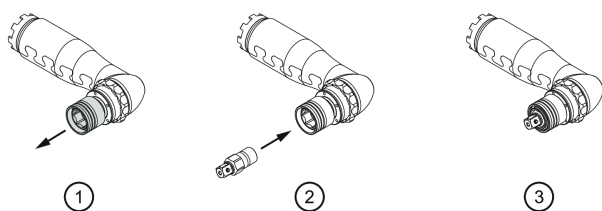
Gdy narzędzie jest zasilane, diody LED narzędzia błyskają.

UWAGA Zalecenia dotyczące użytkowania akumulatorów
Należy zadbać o wydłużenie okresu eksploatacji akumulatora.

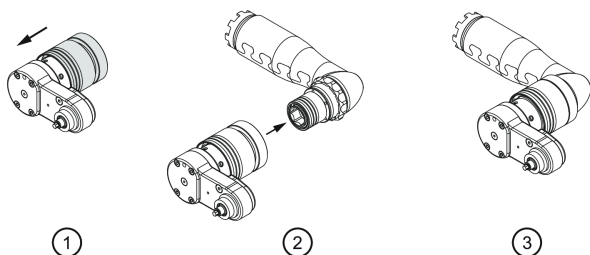
- ▶ Odłączać akumulator, gdy narzędzie nie jest używane.
Nie zostawiać akumulatora w ładowarce, gdy nie jest ona podłączona do zasilania.

Sposób podłączania osprzętu

Nasadka



Crowfoot



Podłącz osprzęt do szybkozłączki wyjściowej, jak pokazano na rysunku, i przypisz do niego Pset.

Uruchamianie narzędzia

Założyć odpowiednią nasadkę.

Wybrać odpowiedni Pset.

Trzymając narzędzie za rękkość, przyłożyć je do dokręcanego elementu mocującego.

! OSTRZEŻENIE Ryzyko obrażeń

Ponieważ siła reakcji rośnie proporcjonalnie do momentu dokręcania, istnieje ryzyko odniesienia poważnych obrażeń ciała przez operatora w wyniku nieoczekiwanego zachowania się narzędzia.

- ▶ Należy upewnić się, że narzędzie jest w doskonałym stanie technicznym oraz że system został prawidłowo zaprogramowany.

Nacisnąć spust, aby uruchomić narzędzie.

Jak zmienić kierunek obrotów



1 Przycisk zmiany kierunku

Nacisnąć ten przycisk.

Diody LED czerwona i zielona błyskają na przemian.

Przyłożyć narzędzie do elementu złącznego i nacisnąć spust.

Ogólne zasady bezpieczeństwa serwisu i konserwacji

Na czas serwisu należy wyłączyć sterownik, aby uniemożliwić niespodziewane uruchomienie.

Serwisowanie należy powierzać wyłącznie wykwalifikowanemu personelowi.

Instrukcje dotycząca czyszczenia

Części należy czyścić wilgotną ściereczką. Używać wyłącznie wody. Nie należy stosować środków czyszczących zawierających rozpuszczalniki.

Skontaktuj się z serwisantem firmy Desoutter, aby uzyskać aktualne zalecenia dotyczące czyszczenia dla danego narzędzia.

Ogólne ostrzeżenia dotyczące bezpieczeństwa użytkowania narzędzi mechanicznych

- !** OSTRZEŻENIE Należy przeczytać wszystkie ostrzeżenia, instrukcje, ilustracje i specyfikacje dotyczące bezpieczeństwa dostarczone z elektronarzędziem.

Nieprzestrzeganie którejkolwiek z wymienionych poniżej instrukcji może prowadzić do porażenia prądem elektrycznym, pożaru lub poważnego zranienia.

Safety Information

Wszelkie ostrzeżenia i instrukcje bezpieczeństwa należy zachować na przyszły użytek.

Użyty w ostrzeżeniach termin „elektronarzędzie” odnosi się do narzędzia zasilanego prądem z sieci (przewodowego) lub z akumulatora (bezprowodowego).

Bezpieczeństwo obszaru roboczego

- **Obszar roboczy powinien być czysty i dobrze oświetlony.** Nieporządek lub słabe oświetlenie sprzyja wypadkom.
- **Nie używać elektronarzędzi w atmosferach wybuchowych, np. w obecności palnych cieczy, gazów lub pyłu.** Elektronarzędzia wytwarzają iskry, które mogą spowodować zapłon pyłu lub oparów.
- **Dzieci i osoby postronne muszą przebywać z dala od działającego elektronarzędzia.** Rozproszenie uwagi operatora może spowodować utratę kontroli nad narzędziem.

Bezpieczeństwo elektryczne

- **Wtyczki elektronarzędzi muszą być dopasowane do gniazda zasilającego.** Nie dokonywać jakichkolwiek przeróbek wtyczki. Nie używać jakichkolwiek przejściówek (adapterów) z uziemionymi elektronarzędziami. Niezmodyfikowane wtyczki i dopasowane gniazda zmniejszają ryzyko porażenia prądem elektrycznym.
- **Unikać zetknięcia się ciała z powierzchniami połączonymi z masą lub uziemieniem, np. rurami, grzejnikami, kuchenkami i chłodziarkami.** Istnieje zwiększone ryzyko porażenia prądem elektrycznym w przypadku przepływu ładunków przez ciało uziemione lub połączone z masą.
- **Nie wystawiać elektronarzędzi na działanie opadów deszczu lub wilgoci.** Przedostanie się wody do wnętrza elektronarzędzia zwiększa ryzyko porażenia prądem elektrycznym.
- **Należy uważać, aby nie uszkodzić przewodów.** Nie ciągnąć narzędzia ani nie unosić go za przewód; nie ciągnąć za przewód w celu odłączenia wtyczki zasilającej. Trzymać przewód z dala od wysokiej temperatury, oleju, ostrych krawędzi lub ruchomych elementów. Uszkodzone bądź splątane przewody zwiększają ryzyko porażenia prądem elektrycznym.
- **Podczas użytkowania elektronarzędzia na zewnątrz budynku należy używać odpowiedniego przedłużacza.** Korzystanie z przewodu przeznaczonego do użytku na zewnątrz zmniejsza ryzyko porażenia prądem elektrycznym.
- **Jeśli konieczne jest użycie elektronarzędzia w wilgotnym miejscu, należy korzystać z zasilania zabezpieczonego wyłącznikiem różnicowoprądowym (RCD).** Użycie wyłącznika różnicowoprądowego (RCD) zmniejsza ryzyko porażenia prądem elektrycznym.

Bezpieczeństwo osobiste

- **Podczas korzystania z elektronarzędzia należy zachować ostrożność, być świadomym wykonywanych czynności i kierować się zdrowym rozsądkiem.** Nie używać elektronarzędzia, gdy odczuwa się zmęczenie

lub jest się pod wpływem alkoholu, narkotyków lub leków. Chwila nieuwagi podczas użytkowania elektronarzędzi może prowadzić do poważnego zranienia.

- **Używać środków ochrony osobistej. Nosić ochronę oczu.** Środki ochrony osobistej takie jak maska przeciwpyłowa, ochronne buty antypoślizgowe, kask czy ochronniki słuchu stosowane w odpowiednich warunkach ograniczają ryzyko uszkodzenia ciała.
- **Zabezpieczyć narzędzie przed niezamierzonym uruchomieniem.** Przed podłączeniem do źródła zasilania lub akumulatora, podniesieniem albo przeniesieniem narzędzia upewnić się, że wyłącznik znajduje się w położeniu wyłączonym (OFF). Przenoszenie elektronarzędzia, gdy palec znajduje się na przełączniku, lub podłączanie zasilania do elektronarzędzia z włączonym wyłącznikiem sprzyja wypadkom.
- **Przed włączeniem elektronarzędzia należy usunąć wszelkie klucze używane do jego regulacji.** Klucz przymocowany do obrotowej części elektronarzędzia może spowodować zranienie.
- **Zachować równowagę.** Należy przez cały czas zadbać o prawidłowe oparcie i równowagę. Zapewni to lepszą kontrolę nad elektronarzędziem w nieoczekiwanych sytuacjach.
- **Nosić odpowiednie ubranie.** Nie nosić luźnych elementów ubioru ani biżuterii. Trzymać włosy i ubranie z dala od ruchomych części. Luźne elementy odzieży, biżuteria lub długie włosy mogą zostać uchwyczone przez ruchome części.
- **Jeśli dostępne są urządzenia do odprowadzania i zbierania pyłu, należy zadbać o ich podłączenie oraz prawidłowe użytkowanie.** Korzystanie z urządzeń do odciągania pyłu może ograniczyć zagrożenia związane z obecnością pyłów.
- **Nie należy dopuścić, aby rutyna wypracowana w wyniku częstego użytkowania narzędzi doprowadziła do lekceważenia lub ignorowania zasad bezpiecznego obchodzenia się z nimi.** Lekkoomyślne działanie może w ułamek sekundy prowadzić do poważnego zranienia.
- **We wszystkich przypadkach, gdy element złączny może przeciąć ukryte przewody elektryczne lub przewód zasilania urządzenia, elektronarzędzie należy trzymać za rękojeści z izolowanymi powierzchniami.** Kontakt elementu złącznego z przewodem pod napięciem może spowodować przepływ prądu przez metalowe części elektronarzędzia, prowadząc do porażenia operatora prądem elektrycznym.

Eksploatacja i pielęgnacja elektronarzędzia

- **Nie przeciążać elektronarzędzia.** Używać elektronarzędzia odpowiedniego do danego zastosowania. Użycie właściwego elektronarzędzia umożliwi lepsze i bezpieczniejsze wykonanie pracy w tempie przewidzianym przez jego konstruktorów.
- **Nie używać elektronarzędzia z niesprawnym wyłącznikiem.** Elektronarzędzie, którego nie można włączyć lub wyłączyć za pomocą wyłącznika, jest niebezpieczne i wymaga naprawy.

- **Przed dokonaniem regulacji, wymianą akcesoriów lub przechowywaniem elektronarzędzia należy odłączyć wtyczkę od źródła zasilania i/lub odłączyć akumulator od elektronarzędzia (jeśli jest to możliwe).** Tego rodzaju środki ostrożności zmniejszają ryzyko przypadkowego uruchomienia elektronarzędzia.
- **Elektronarzędzia, które nie są w danej chwili używane, należy trzymać z dala od dzieci. Nie dopuszczać do elektronarzędzi osób niezapoznanych z ich użytkowaniem.** Elektronarzędzia są niebezpieczne w rękach nieprzeszkolonych użytkowników.
- **Konserwacja elektronarzędzi i akcesoriów. Sprawdzić ruchome części pod względem zakleszczenia lub utraty współosiowości bądź innych problemów, które mogą wpłynąć na działanie elektronarzędzia. Jeśli elektronarzędzie jest uszkodzone, przed użyciem należy zlecić jego naprawę.** Nieprawidłowa konserwacja elektronarzędzi jest przyczyną wielu wypadków.
- **Dbać o ostrość i czystość narzędzi tnących.** Właściwie konserwowane narzędzia zawierające ostre krawędzie tnące rzadziej ulegają zakleszczeniu i łatwiej jest nad nimi panować.
- **Elektronarzędzi, akcesoriów, wiertel, bitów itp. należy używać zgodnie z niniejszymi instrukcjami, uwzględniając warunki robocze i pracę, którą należy wykonać.** Stosowanie elektronarzędzia do prac innych niż te, do których jest przeznaczone, może stwarzać niebezpieczeństwo.
- **Rękojeści i powierzchnie chwytne muszą być suche, czyste i niezabrudzone olejem lub smarem.** Śliskie rękojeści i powierzchnie chwytne nie zapewniają bezpiecznego obchodzenia się z narzędziem oraz kontroli nad narzędziem w nieoczekiwanych sytuacjach.

Eksploatacja i pielęgnacja akumulatorów

- **Do ładowania należy używać wyłącznie ładowarki wskazanej przez producenta.** Ładowarka przeznaczona do jednego typu akumulatora stanowi ryzyko pożaru w przypadku użycia jej do ładowania innego typu akumulatora.
- **Elektronarzędzi należy używać wyłącznie ze wskazanymi akumulatorami.** Korzystanie z innych akumulatorów może grozić zranieniem i pożarem.
- **Gdy akumulator nie jest używany, należy przechowywać go z dala od metalowych przedmiotów takich jak spinacze, monety, klucze, gwoździe, śruby lub inne niewielkie metalowe przedmioty, które mogą spowodować połączenie zacisków.** Zwarcie styków może doprowadzić do poparzeń lub pożaru.
- **W niewłaściwych warunkach z akumulatora może wyciec elektrolit; należy unikać kontaktu z nim. Jeśli przypadkowo dojdzie do kontaktu z elektrolitem, należy przepłukać narażone miejsce wodą. Jeśli elektrolit dostanie się do oczu, należy dodatkowo zasięgnąć pomocy medycznej.** Elektrolit wyciekający z akumulatora może powodować podrażnienia lub poparzenia.

- **Nie wolno używać uszkodzonego lub zmodyfikowanego akumulatora lub urządzenia.** Uszkodzone lub zmodyfikowane akumulatory mogą działać w nieoczekiwany sposób, stwarzając zagrożenie pożarem, wybuchem lub zranieniem.
- **Nie wystawiać akumulatora ani narzędzia na działanie ognia lub zbyt wysokiej temperatury.** Wystawienie na działanie ognia lub temperatury powyżej 130 °C może spowodować wybuch.
- **Przestrzegać wszystkich instrukcji ładowania i nie ładować akumulatora lub narzędzia poza zakresem temperatury określonym w instrukcji.** Nieprawidłowe ładowanie lub ładowanie w temperaturach wykraczających poza podany zakres może spowodować uszkodzenie akumulatora i zwiększyć ryzyko pożaru.

Serwis

- **Serwis elektronarzędzia należy zlecać wykwalifikowanym serwisantom używającym wyłącznie oryginalnych części zamiennych.** Zapewni to prawidłową konserwację elektronarzędzia.
- **Nie wolno serwisować uszkodzonych akumulatorów.** Akumulatory może serwisować wyłącznie producent lub autoryzowani usługodawcy.

Oznakowania i naklejki

Na produkcie umieszczone są znaki i naklejki zawierające ważne informacje dotyczące bezpieczeństwa ludzi i konserwacji produktu. Znaki i naklejki powinny być zawsze czytelne. Nowe znaki i naklejki można zamówić, korzystając z listy części zamiennych.



s011050

Przydatne informacje

Strona internetowa

Informacje o naszych produktach, akcesoriach, częściach zamiennych i publikacjach można odnaleźć na stronie Desoutter.

Zapraszamy do odwiedzenia: www.desouttertools.com.

Informacje o podręcznikach instalacji

Szczegółowe instrukcje obsługi, instalacji i modyfikacji są dostępne na stronie <https://www.desouttertools.com/resource-centre>.

Informacje o częściach zamiennych

Rysunki złożeniowe i lista części zamiennych są dostępne w dziale „Service Link” na stronie www.desouttertools.com.

Kraj pochodzenia

France

Safety Information

Karty charakterystyki substancji niebezpiecznych MSDS/SDS

Karty charakterystyki materiałów opisują produkty chemiczne sprzedawane przez firmę Desoutter.

Więcej informacji zamieszczono na stronie internetowej Desoutter pod adresem <https://www.desouttertools.com/legal/sds>.

Prawa autorskie

© Copyright 2022, Ets Georges Renault, 38 rue Bobby Sands, 44818 Saint Herblain, France

Wszelkie prawa zastrzeżone. Wszelkie nieuprawnione użytkowanie lub kopiowanie zawartości niniejszego dokumentu bądź jego części jest zabronione. Dotyczy to w szczególności znaków towarowych, oznaczeń modeli, numerów części oraz rysunków. Używać wyłącznie zatwierdzonych części zamiennych. Wszelkie uszkodzenia lub wadliwe działanie spowodowane używaniem niezatwierdzonych części zamiennych nie są objęte gwarancją ani odpowiedzialnością z tytułu rękojmi za wady produktu.

Technické údaje

Technické údaje

Napätie (V)

36 V 

Výstupné upínadlo

Model	Typ
EABA26-560-QRX	Rýchlopínací výstup
EABA32-410-QRX	Rýchlopínací výstup
EABA45-330-QRX	Rýchlopínací výstup
EABA50-450-QRX	Rýchlopínací výstup
EABA60-370-QRX	Rýchlopínací výstup
EABA75-300-QRX	Rýchlopínací výstup
EABA95-240-QRX	Rýchlopínací výstup

Rozsah momentu (Nm)

Model	Min. / Menovitý / Max.
EABA26-560-QRX	5 / 24 / 26
EABA32-410-QRX	7 / 30 / 32
EABA45-330-QRX	9 / 40 / 45
EABA50-450-QRX	9 / 45 / 50
EABA60-370-QRX	10 / 55 / 60
EABA75-300-QRX	12 / 70 / 75
EABA95-240-QRX	19 / 90 / 95

Rozsah momentu (ft.lb)

Model	Min. / Menovitý / Max.
EABA26-560-QRX	1,12 / 5,40 / 5,85

Model	Min. / Menovitý / Max.
EABA32-410-QRX	1,57 / 6,74 / 7,19
EABA45-330-QRX	2,02 / 8,99 / 10,12
EABA50-450-QRX	2,02 / 10,12 / 11,24
EABA60-370-QRX	2,25 / 12,36 / 13,49
EABA75-300-QRX	2,70 / 15,74 / 16,86
EABA95-240-QRX	4,27 / 20,23 / 21,36

Menovité otáčky (ot./min)

Model	
EABA26-560-QRX	560
EABA32-410-QRX	410
EABA45-330-QRX	330
EABA50-450-QRX	450
EABA60-370-QRX	370
EABA75-300-QRX	300
EABA95-240-QRX	240

Hmotnosť

Model	(kg)	(lb)
EABA26-560-QRX	2,04	4,50
EABA32-410-QRX	2,04	4,50
EABA45-330-QRX	2,21	4,87
EABA50-450-QRX	2,49	5,49
EABA60-370-QRX	2,82	6,22
EABA75-300-QRX	3,42	7,54
EABA95-240-QRX	3,46	7,63

 Hmotnosť je uvedená bez batérie

Podmienky skladovania a používania

Skladovacia teplota	-20 až +70 °C (-4 až +158 F)
Prevádzková teplota	0 až 45 °C (32 až 113 F)
Skladovacia vlhkosť	0 – 95 % rel. vlhkosť (nekondujúca)
Prevádzková vlhkosť	0 – 90 % rel. vlhkosť (nekondujúca)
Nadmorská výška až do	2000 m (6562 stôp)
Použiteľné v prostredí so stupňom znečistenia 2	
Len na použitie v interiéri	

Špecifikácie bezdrôtovej komunikácie

RFID 13,56 MHz

Frekvencia	13,553 MHz – 13,567 MHz
Pole	< 42 dBµA/m at 10 m according to ETSI EN 300 330 v2.1.1

Vyhlásenia

Zodpovednosť

Mnohé udalosti v prevádzkovom prostredí môžu ovplyvniť uťahovací proces a vyžadujú si potvrdenie výsledkov. V súlade s aplikovanými normami a/alebo nariadeniami týmto požadujeme, aby ste skontrolovali inštalovaný moment a smer otáčania po každej udalosti, ktorá môže ovplyvniť výsledok uťahovania. Príkladmi takýchto udalostí sú o.i.:

- počiatočná montáž nástrojového systému
- zmena šarže dielov, svorky, šarže skrutiek, nástroja, softvéru konfigurácie alebo prostredia
- zmena vzduchových alebo elektrických pripojení
- zmena v linkovej ergonómii, spracovaní, procesoch kvality alebo činnostiach
- zmena operátora
- akákoľvek iná zmena, ktorá ovplyvní výsledok uťahovacieho procesu

Kontrola má:

- Zabezpečiť, že nedošlo k zmene podmienok rôznymi vplyvmi.
- Byť dokončená po počiatočnej montáži, údržbe alebo oprave zariadenia.
- Byť vykonaná raz za smenu alebo v inej vhodnej frekvencii.

EÚ VYHLÁSENIE O ZHODE

My, **Ets Georges Renault**, 38 rue Bobby Sands, 44818 Saint Herblain, France, vyhlasujeme na našu výhradnú zodpovednosť, že výrobok (s názvom, typovým a výrobným číslom, pozri prednú stranu), je v zhode s nasledovnou(ými) smernicou(ami):

2006/42/ES, 2011/65/ES, 2014/53/EU

Uplatnené harmonizované normy:

EN 62841-2-2:2015+AC1:2015 EN 61000-6-2:2005 EN 61000-6-3:2007+A1:2011 EN 55014-3:2006 EN 55014-2:200

Orgány si môžu vyžiadať príslušné technické informácie od: Pascal ROUSSY, R&D Manager, 38 rue Bobby Sands, 44818 Saint Herblain, France

Saint-Herblain, 2021/09/13

Pascal ROUSSY, R&D Manager

Podpis emitenta



Vyhlásenie o hlučnosti a vibráciách

- Hladina akustického výkonu < 70 dB(A) , neistota 3 dB(A), v súlade s EN 62841-2-2 : 2014.
- Celková hodnota vibrácií < 2.5 m/s², neistota 3 m/s², v súlade s EN 62841-2-2 : 2014.

Tieto uvádzané hodnoty boli získané prostredníctvom laboratórnych typových skúšok v súlade so stanovenými normami a sú vhodné na porovnanie s uvádzanými hodnotami iných nástrojov, pre ktoré sa vykonali skúšky v súlade s rovnakými normami. Hladina emisie vibrácií sa môže použiť na predbežné posúdenie expozície. Tieto uvádzané hodnoty nie sú vhodné na použitie pri hodnotení rizík a hodnoty namerané na jednotlivých pracoviskách môžu byť vyššie. Aktuálne hodnoty expozície a riziko poškodenia zdravia jednotlivých používateľov sú špecifické a závisia od spôsobu práce používateľa, konkrétneho obrobku a pracoviska a tiež od času expozície a fyzickej kondície používateľa.

My, **Ets Georges Renault**, nemôžeme byť zodpovední za následky používania uvádzaných hodnôt namiesto hodnôt, ktoré zodpovedajú aktuálnemu vyžarovaniu v individuálnom posúdení rizika v situácii na pracovnom mieste, nad ktorým nemáme kontrolu.

Tento nástroj môže spôsobiť syndróm vibrácií pôsobiacich na ruky a ramená, aj nie je adekvátne spravované jeho používanie. Príručku EÚ o riešení vibrácií pôsobiacich na ruky a ramená môžete nájsť na stránke <http://www.pneurop.eu/index.php> po zvolení položiek „Nástroje“ a potom „Legislatíva“.

Odporúčame preventívnu kontrolu zdravotného stavu na detekciu včasných príznakov v dôsledku zaťaženia vibráciami, aby bolo možné upraviť postupy, ktoré by zabránili výskytu ťažkostí v budúcnosti.

- ⓘ Ak toto zariadenie je určené pre upínacie aplikácie: Úroveň emisií je udaná ako odporúčanie pre technika stroja. Údaje o emisii hluku a vibrácií pre celý stroj nájdete v návode na obsluhu stroja.

WEEE

Informácie týkajúce sa **odpadu z elektrických a elektronických zariadení (WEEE)**:

Tento výrobok a informácie o ňom spĺňajú požiadavky smernice/nariadenia o odpade z elektrických a elektronických zariadení WEEE (2012/19/EU) a musíte s nimi manipulovať v súlade s touto smernicou/nariadeniami.

Tento výrobok je označený nasledujúcim symbolom:



výrobky označené symbolom prečiarknutého odpadkového koša so samostatným čiernym pruhom pod košom obsahujú diely, s ktorými sa musí manipulovať v súlade so smernicou/nariadeniami WEEE. Celý výrobok, resp. diely WEEE, môžu byť odoslané do vášho „zákazníckeho strediska“ na manipuláciu.

Informácie týkajúce sa článku 33 v nariadení REACH

Európske nariadenie (EÚ) č. 1907/2006 o registrácii, hodnotení, autorizácii a obmedzovaní chemických látok (REACH) definuje, okrem iného, požiadavky súvisiace s komunikáciou v dodávateľskom reťazci. Požiadavka na infor-

Safety Information

mácie sa vzťahujú aj na výrobky obsahujúce tzv. látky vzbudzujúce veľmi veľké obavy („zoznam kandidátskych látok“) 27. júna 2018 bolo do zoznamu kandidátskych látok pridané kovové olovo (č. CAS 7439-92-1).

V súlade s vyššie uvedeným vás to má informovať, že určité elektrické a mechanické komponenty vo výrobku môžu obsahovať kovové olovo. Je to v zhode s aktuálnymi právnymi predpismi o obmedzovaní látok a na základe zákonných výnimiek v smernici RoHS (2011/65/EÚ). Počas normálneho používania nedôjde k úniku ani premene kovového olova z výrobku a koncentrácia kovového olova v celom výrobku je značne pod príslušnou prahovou hodnotou. Pri likvidácii olova na konci životnosti výrobku zohľadnite, prosím, miestne požiadavky.

Regionálne požiadavky

⚠ VAROVANIE

Pri používaní tohto výrobku môžete byť vystavení chemikáliám vrátane olova, o ktorom je v štáte Kalifornia známe, že spôsobuje rakovinu a vrodené chyby alebo iné reprodukčné poruchy. Pre viac informácií prejdite na

<https://www.p65warnings.ca.gov/>

Bezpečnosť

NEVYHADZUJE – ODOVZDAJTE POUŽÍVATEĽOVI

⚠ VAROVANIE Všetky lokálne legislatívne bezpečnostné predpisy, ktoré sa týkajú inštalácie, prevádzky a údržby sa musia vždy dodržiavať.

Účel použitia

- Iba pre profesionálne použitie.
- Tento výrobok a jeho príslušenstvo sa nesmie v žiadnom prípade prerábať.
- Tento výrobok nepoužívajte, ak bol poškodený.
- Ak údaje o výrobku alebo výstražné štítky upozorňujúce na nebezpečenstvo umiestnené na výrobku prestanú byť čitateľné alebo sa uvoľnia, bezodkladne ich nahraďte.
- Výrobok smie inštalovať, obsluhovať a servisovať iba kvalifikovaná osoba v priemyselnom prostredí.

Určené použitie

Tento výrobok je navrhnutý na montáž a demontáž závitových upevňovacích prvkov v dreve, kove alebo plaste. Nie je povolené žiadne iné použitie. Len na profesionálne použitie.

Používajte iba nasledujúce batérie Desoutter.

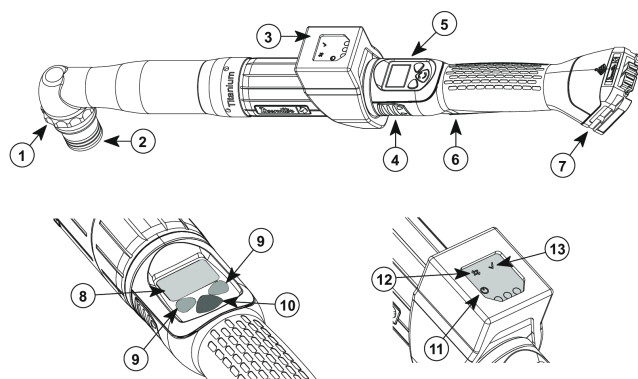
- Batéria 18 V 2,5 Ah, číslo dielu 6158132660
- Batéria 36 V 2,5 Ah, číslo dielu 6158132670

Batérie sa musia nabíjať iba nabíjačkou batérií Desoutter (6158132700).

Pre kompletné pokyny si pozrite Bezpečnostné pokyny k nabíjačke batérií (6159925310) a Pokyny k výrobku, ktoré sú k dispozícii v niekoľkých jazykoch na <https://www.desouttertools.com/resource-centre>

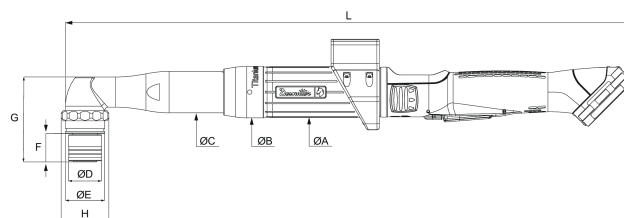
Pokyny špecifické pre výrobník

Popis výrobku



- 1 Montážny adaptér pre Crowfoot
- 2 Rýchlovypínací výstup
- 3 QR čítačka príslušenstva
- 4 Indikačné LED
- 5 Displej a tlačidlá
- 6 Spúšť
- 7 Stopa batérie
- 8 Displej
- 9 Programovacie tlačidlá
- 10 Tlačidlo Obrátenie chodu
- 11 Indikátor signalizujúci, či je zapnuté napájanie príslušenstva.
- 12 Prebieha čítanie/zapisovanie
- 13 Priradený Pset je pripravený.

Rozmery (mm)



Model	L	ØA	ØB
EABA26-560-QRX	496	46	46
EABA32-410-QRX	496	46	46
EABA45-330-QRX	506	46	46
EABA50-450-QRX	546	46	46
EABA60-370-QRX	559	46	58
EABA75-300-QRX	582	46	58
EABA95-240-QRX	582	46	58

Model	ØC	D	E
EABA26-560-QRX	37	25	28
EABA32-410-QRX	37	25	28
EABA45-330-QRX	37	30	35
EABA50-450-QRX	37	30	35

EABA60-370-QRX	41	33	40
EABA75-300-QRX	49	34	43
EABA95-240-QRX	49	34	43

Model	F	G	H
EABA26-560-QRX	22	68	35
EABA32-410-QRX	22	68	35
EABA45-330-QRX	25	76	44
EABA50-450-QRX	25	76	44
EABA60-370-QRX	27	85	49
EABA75-300-QRX	28	88	52
EABA95-240-QRX	28	88	52

Všeobecná bezpečnosť pri inštalácii

Inštaláciu prenechajte iba na kvalifikovaný personál.

Nástroj bezpečne zaveste, napríklad pomocou navijaka. Pri používaní vidlice zavesenia skontrolujte, či je v dobrom stave a správne upevnená.

Pre nástroje s káblom: Systém vždy zapojte do uzemnenej zásuvky. Pred pripojením alebo odpojením kábla nástroja vždy skontrolujte, či je odpojený napájací kábel a vypnutý ovládač.

Všeobecná prevádzková bezpečnosť

- Kvôli riziku zamotania nepoužívajte rukavice.
- Pripravte sa na reakčnú silu, ktorá vzniká pri používaní nástroja. Držadlo nástroja vždy bezpečne podprite v opačnom smere proti otáčaniu vretena, aby sa znížil účinok náhle momentovej reakcie v koncovnej fáze zatiahnutia a počiatočnej fáze povoľovania.
- Nikdy nechytajte pohon, zásuvku ani nadstavec pohonu.
- Pracovníci obsluhy a údržby musia byť fyzicky schopní objemný, ťažký a mohutný nástroj manipulovať.
- Ak je to možné, použite rameno nápravy na absorbovanie záťažného momentu. Ak to nie je možné, odporúčame bočné rukoväte pre zapuzdrené nástroje a nástroje s pištoľovou rukoväťou; pre uhlové uťahovacie kľúče odporúčame reakčné tyče. Odporúča sa použiť pomôcku na absorbovanie reakčného krútiaceho momentu nad 4 Nm (3 lbf.ft) pri zapuzdrených nástrojoch, nad 10 Nm (7,5 lbf.ft) pri nástrojoch s pištoľovou rukoväťou, a nad 60 Nm (44 lbf.ft) pri uhlových uťahovacích kľúčoch.
- Upevňovacie prvky, ktoré sú utiahnuté príliš veľa alebo príliš málo, môžu mať za následok vážne zranenie. Montážne operácie so špecifickým momentom utiahnutia musia byť skontrolované meračom momentu. Tzv. „cvakacie“ momentové kľúče nekontrolujú potenciálne nebezpečné podmienky prílišného utiahnutia. Upevňovacie prvky, ktoré sú utiahnuté príliš veľa alebo príliš málo, sa môžu zlomiť, uvoľniť alebo oddeliť. Uvoľnené príslušenstvo môže byť vymrštené.
- Používajte iba mechanické alebo nástrčkové kľúče v dobrom stave. Nepoužívajte ručné nástrčky.

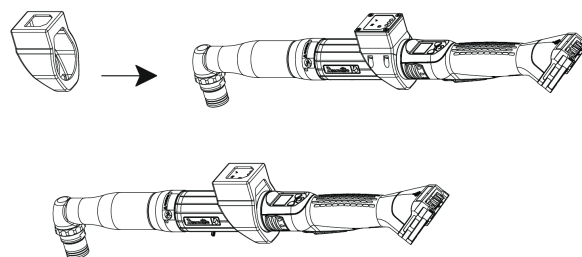
- Pri používaní elektrického nástroja môže operátor cítiť nepohodlie v rukách, ramenách, pleciach, krku alebo iných častiach tela. Počas pracovného dňa striedajte vhodné držanie tela, zachovávajte bezpečný postoj a vyhýbajte sa neprírodným alebo nerovnovážnym polohám.
- Opakované pracovné pohyby, nevhodná poloha a vystavenie vibráciám môže mať škodlivý vplyv na paže a ruky. Ak dôjde k znečítlivaniu, trpnutiu, bolesti alebo zblednutiu kože, prestaňte s nástrojom pracovať a vyhľadajte lekára.
- Pri prevádzke v stiesnených priestoroch buďte opatrní. Dajte pozor, aby nedošlo k stlačeniu alebo rozdrveniu ruky, ak by sa dostala medzi nástroj a dielec.
- Vysoké zvukové hladiny môžu spôsobiť trvalú stratu sluchu. Používajte ochranu sluchu odporúčanú zamestnávateľom alebo predpismi týkajúcimi sa zdravia a bezpečnosti na pracovisku.
- Skontrolujte, či je obrobok bezpečne upnutý.
- V neznámom prostredí postupujte opatrne. Majte na mysli možné nebezpečenstvá vyplývajúce z vašej pracovnej činnosti. Tento nástroj nie je izolovaný proti kontaktu so zdrojmi elektriny.

Nástroje používané spolu s reakčnou tyčou: Nikdy nepoložte vašu ruku na alebo blízko reakčnej tyče, pokiaľ sa nástroj používa. Pred spustením nástroja dávajte, prosím, pozor na smer otáčania. Reakčná sila môže pôsobiť v neočakávanom smere s rizikom poranenia pomliaždením.

Pre nástroje obsahujúce spojku: Ihneď po nastavení spojky skontrolujte správnosť operácie.

Ako namontovať kryt na čítačku

- ⓘ Dôrazne sa odporúča namontovať kryt dodaný v balení na ochranu čítačky pred nárazmi a poškodením.



Nasuňte kryt na nástroj. Silno ho potlačte cez čítačku.

Vloženie batérie



Vložte batériu do nástroja spredu alebo zozadu, kým zreteľne nezačujete zvuk zacvaknutia.

Nemá zapínač/vypínač: nástroj je pripravený na prevádzku hneď, ako sa namontuje batéria.

Keď je nástroj napájaný, LED nástroja blikajú.

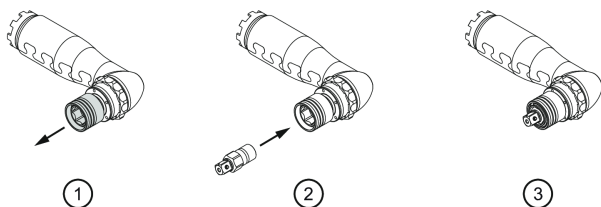
Safety Information

INFORMÁCIA Odporúčania pre používanie batérií
Zaistite dlhšiu životnosť batérie.

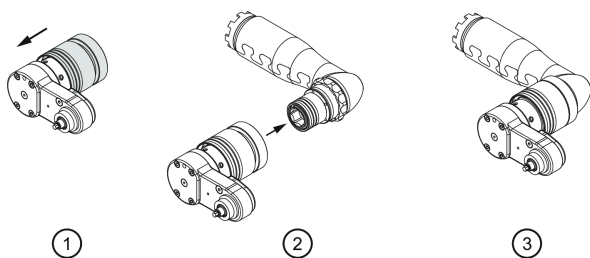
- Keď sa nástroj nepoužíva, odpojte batériu.
Nenechávajte batériu na nabíjačke, keď je vypnutý napájací zdroj nabíjačky.

Ako zapojiť príslušenstvo

Nástrčkový kľúč



Crowfoot



Podľa obrázku zapojte príslušenstvo do rýchlovyvípacieho výstupu a priradte mu Pset.

Spustenie nástroja

Vybavte nástroj vhodným nástrčkovým kľúčom.

Vyberte vhodný Pset.

Držte nástroj za ruku a priložte ho k upevňovaciemu prvku, ktorý sa má utiahnuť.

! VAROVANIE Riziko poranenia

Keďže sa reakčná sila zvyšuje v pomere k uťahovaciemu momentu, hrozí riziko vážneho fyzického poranenia operátora v dôsledku neočakávaného správania sa nástroja.

- Uistite sa, že nástroj je v bezchybnom prevádzkovom stave a že systém je správne naprogramovaný.

Na spustenie nástroja stlačte spúšť.

Ako obrátiť chod rotácie



1 Tlačidlo Obrátenie chodu

Stlačte toto tlačidlo.

Striedavo blikajú červené a zelené LED.

Priložte nástroj k upevňovaciemu prvku a stlačte spúšť.

Všeobecná bezpečnosť pri servise a údržbe

Počas servisu musí byť ovládač vždy vypnutý, aby sa predišlo neočakávanému spusteniu.

Servis prenechajte iba na kvalifikovaný personál.

Pokyny na čistenie

Diely čistite s vlhkou handričkou. Používajte iba vodu. Čistiace prostriedky s obsahom rozpúšťadiel sa nemajú používať.

Kontaktujte servisného technika Desoutter ohľadne rád na čistenie podľa aktuálnych odporúčaní a pre váš konkrétny nástroj.

Všeobecné bezpečnostné varovania pre elektrické nástroje

! VAROVANIE Prečítajte si všetky varovania, pokyny, obrázky a špecifikácie dodané s týmto elektrickým nástrojom.

Nerešpektovanie všetkých nižšie uvedených pokynov môže mať za následok zásah elektrickým prúdom, požiar a/alebo vážne zranenie.

Uchovajte si všetky varovania a pokyny pre budúcu potrebu.

Pojem „elektrický nástroj“ vo varovaniach odkazuje na váš (káblový) elektrický nástroj napájaný z elektrickej siete alebo (bezkábový) elektrický nástroj napájaný z batérie.

Bezpečnosť v pracovnej oblasti

- Udržiavajte pracovnú oblasť v čistote a dobre osvetlení. Neupratané alebo tmavé oblasti vyvolávajú nehody.
- Neprevádzkujte elektrické nástroje vo výbušných ovzdušiach, napríklad v prítomnosti horľavých kvapalín, plynov alebo prachu. Elektrické nástroje vytvárajú iskry, ktoré môžu zapáliť prach alebo výpary.
- Počas prevádzky elektrického nástroja zamedzte prístupu detí a okolostojacich. Odvedenie pozornosti môže viesť k strate kontroly.

Elektrická bezpečnosť

- Zástrčky elektrického nástroja sa musia zhodovať so zásuvkou. Nikdy žiadnym spôsobom nemeňte zástrčku. Nepoužívajte rozdvójky s uzemnenými elektrickými nástrojmi. Nezmenené zástrčky a zodpovedajúce zásuvky znížia riziko zásahu elektrickým prúdom.
- Vyhybajte sa kontaktu s uzemnenými povrchmi, napríklad potrubiami, radiátormi, sporákmi a chladničkami. Ak je vaše telo uzemnené, hrozí zvýšené riziko zásahu elektrickým prúdom.
- Nevystavujte elektrické nástroje dažďu ani mokrym podmienkam. Vniknutie vody do elektrického nástroja zvýši riziko zásahu elektrickým prúdom.
- Nezaobchádzajte zle s káblom. Nikdy nepoužívajte kábel na prenášanie, ťahanie alebo vytáhovanie elektrického nástroja zo zásuvky. Držte kábel v dosta-

točnej vzdialenosti od tepla, oleja, ostrých hrán alebo pohyblivých častí. Poškodené alebo zamotané káble zvyšujú riziko zásahu elektrickým prúdom.

- **Pri prevádzke elektrického nástroja v exteriéri použite predlžovací kábel na použitie v exteriéri.** Použitie kábla vhodného na použitie v exteriéri znižuje riziko zásahu elektrickým prúdom.
- **Ak prevádzkujete elektrický nástroj vo vlhkom prostredí, je nevyhnutné použiť napájací zdroj chránený prúdovým chráničom.** Použitie prúdového chrániča znižuje riziko zásahu elektrickým prúdom.

Osobná bezpečnosť

- **Buďte vždy ostražití, sledujte, čo robíte a pri prevádzke elektrického nástroja sa riadte zdravým rozumom. Nepoužívajte elektrický nástroj, keď ste unavení alebo pod vplyvom drog, alkoholu či liekov.** Chvilka nepozornosti počas prevádzky elektrických nástrojov môže mať za následok vážne fyzické zranenie.
- **Používajte osobné ochranné prostriedky. Vždy noste ochranné okuliare.** Ochranné prostriedky ako prachová maska, protišmyková bezpečnostná obuv, prilba alebo ochrana sluchu použité pre patričné podmienky zníži riziko fyzických zranení.
- **Zabráňte neúmyselnému spusteniu. Pred pripojením k napájaciemu zdroju a/alebo batérii, zdvihnutím alebo prenášaním nástroja sa uistite, že spínač je vo vypnutej polohe (OFF).** Prenášanie elektrických nástrojov s prstom na spínači alebo zapnutie napájania elektrických nástrojov so spínačom v zapnutej polohe (ON) vyvoláva nehody.
- **Pred zapnutím elektrického nástroja odstráňte všetky nastaviteľné kľúče.** Kľúč, ktorý zostane pripravený k rotujúcej časti elektrického nástroja, môže mať za následok fyzické zranenie.
- **Príliš sa nenatáhujte. Vždy udržiavajte pevný postoj a rovnováhu.** V neočakávaných situáciách to umožňuje lepšiu kontrolu nad nástrojom.
- **Riadne sa oblečte. Nenoste voľný odev ani ozdoby. Udržiavajte vlasy a odev v dostatočnej vzdialenosti od pohyblivých častí.** Voľný odev, ozdoby alebo dlhé vlasy sa môžu zachytiť do pohyblivých častí.
- **Ak sú k dispozícii zariadenia na pripojenie zariadení na odsávanie a zachytávanie prachu, uistite sa, že sú pripojené a správne sa používajú.** Použitie zariadenia na zachytávanie prachu môže znížiť nebezpečenstvá súvisiace s prachom.
- **Nedovoľte, aby vás uspokojila zbehllosť získaná častým používaním nástroja a pri používaní nástroja budete ignorovať bezpečnostné zásady.** Lahkomyselné konanie môže v zlomku sekundy spôsobiť vážne zranenie.
- **Pri vykonávaní operácie, keď sa môže upevňovací prvok dotýkať skrytých drôtov alebo vlastnej šnúry, držte elektrický nástroj za izolované úchytne plochy.** Dotyk upevňovacích prvkov s drôtom pod napätím môže spôsobiť, že odkryté kovové časti elektrického nástroja budú pod napätím a operátora môže zasiahnuť elektrický prúd.

Ošetrovanie elektrického nástroja

- **Nepoužívajte elektrický nástroj nasilu. Použite na svoju aplikáciu správny elektrický nástroj.** Správny elektrický nástroj zvládne prácu lepšie a bezpečnejšie rýchlosťou, na ktorú bol dimenzovaný.
- **Nepoužívajte elektrický nástroj, ak ho spínač nezapne a nevypne.** Každý elektrický nástroj, ktorý sa nedá ovládať spínačom, je nebezpečný a musí sa opraviť.
- **Pred vykonaním akýchkoľvek úprav, výmenou príslušenstva alebo uskladnením elektrických nástrojov odpojte zástrčku z napájacieho zdroja a/alebo vyberte z elektrického nástroja batériu, pokiaľ je odnímateľná.** Takéto preventívne bezpečnostné opatrenia znižujú riziko náhodného spustenia elektrického nástroja.
- **Skladujte nevyužívané elektrické nástroje mimo dosahu detí a zabráňte tomu, aby elektrický nástroj obsluhovali osoby, ktoré nie sú oboznámené s elektrickým nástrojom alebo týmito pokynmi.** V rukách neskusených používateľov predstavujú elektrické nástroje nebezpečenstvo.
- **Vykonávajte údržbu elektrických nástrojov a príslušenstva. Skontrolujte vyosenie alebo zasekávanie pohyblivých častí, zlomenie dielov a akýkoľvek iný stav, ktorý môže mať negatívny vplyv na prevádzku elektrického nástroja.** Ak je elektrický nástroj poškodený, pred použitím ho nechajte opraviť. Mnoho nehôd spôsobujú zle udržiavané elektrické nástroje.
- **Udržiavajte rezacie nástroje ostré a čisté.** Riadne udržiavané rezacie nástroje s ostrými reznými hranami sa menej zasekávajú a ľahšie sa ovládajú.
- **Používajte elektrický nástroj, príslušenstvo, nástavce atď. v súlade s týmito pokynmi a berte do úvahy pracovné podmienky a prácu, ktorá sa má vykonať.** Používanie elektrického nástroja v rozpore s určeným účelom môže mať za následok nebezpečnú situáciu.
- **Udržiavajte rukoväť a úchopové plochy suché, čisté, bez oleja a maziva.** Klzké rukoväte a úchopové plochy neumožňujú v neočakávaných situáciách bezpečnú manipuláciu a kontrolu nad nástrojom.

Požívanie a ošetrovanie nástroja napájaného batériou

- **Dobíjajte iba nabíjačkou uvedenou výrobcom.** Nabíjačka, ktorá nie je vhodná pre jeden typ batérie, môže predstavovať riziko požiaru, ak sa použije s inou batériou.
- **Používajte elektrické nástroje iba so špeciálne označenými batériami.** Použitie iných batérií môže spôsobiť riziko zranenia a požiaru.
- **Keď sa batéria nepoužíva, držte ju v dostatočnej vzdialenosti od kovových predmetov ako kancelárske sponky, mince, kľúče, klince, skrutky alebo iné malé kovové predmety, ktoré dokážu prepojiť svorky.** Skratovanie svoriek batérie môže spôsobiť popáleniny alebo požiar.
- **Pri nesprávnom používaní môže z batérie vystreknúť kvapalina; vyhýbajte sa kontaktu.** Pokiaľ dôjde k náhodnému kontaktu, opláchnite postihnuté miesto

Safety Information

vodou. Pokiaľ dôjde ku kontaktu kvapaliny s očami, vyhľadajte aj lekársku pomoc. Kvapalina vystreknutá z batérie môže spôsobiť dráždenie alebo popáleniny.

- **Nepoužívajte batériu ani nástroj, ktoré sú poškodené alebo zmenené.** Poškodené alebo zmenené batérie sa môžu správať nepredvídateľne a spôsobiť požiar, výbuch alebo riziko zranenia.
- **Nevystavujte batériu ani nástroj ohňu alebo nadmernej teplote.** Vystavenie ohňu alebo teploty nad 130 °C môže spôsobiť výbuch.
- **Riad'te sa všetkými pokynmi pre nabíjanie a nenabíjajte batériu ani nástroj mimo teplotného rozpätia uvedeného v pokynoch.** Nesprávne nabíjanie alebo nabíjanie mimo uvedeného rozpätia môže poškodiť batériu a zvýšiť riziko požiaru.

Servis

- **Servis vášho elektrického nástroja nechajte vykonať kvalifikovaným opravárom s použitím jedine identických náhradných dielov.** Tým sa zaistí zachovanie bezpečnosti elektrického nástroja.
- **Nikdy nevykonávajte servis poškodených batérií.** Servis batérií by mal vykonávať iba výrobca alebo autorizovaní poskytovatelia služieb.

Značky a nálepky

Tento výrobok je vybavený značeniami a nálepkami, ktoré obsahujú dôležité informácie o osobnej bezpečnosti a údržbe výrobku. Značenia a nálepky musia byť vždy ľahko čitateľné. Nové značenia a nálepky môžete objednať pomocou zoznamu náhradných dielov.



s011050

Užitočné informácie

Webová stránka

Informácie ohľadne našich výrobkov, príslušenstva, náhradných dielov a zverejnených materiálov nájdete na webovej stránke Desoutter.

Navštívte, prosím: www.desouttertools.com.

Informácie o návodoch na inštaláciu

Podrobné návody na obsluhu, inštaláciu a modernizáciu sú k dispozícii na adrese <https://www.desouttertools.com/resource-centre>.

Informácie o náhradných dieloch

Rozšírené náhľady a zoznamy náhradných dielov sú k dispozícii v servisnom prepojení na adrese www.desouttertools.com.

Krajina pôvodu

France

Bezpečnostné dátové listy MSDS/SDS

Karty bezpečnostných údajov popisujú chemické výrobky predávané spoločnosťou Desoutter.

Pre viac informácií navštívte webovú stránku spoločnosti Desoutter <https://www.desouttertools.com/legal/sds>.

Copyright

© Copyright 2022, Ets Georges Renault, 38 rue Bobby Sands, 44818 Saint Herblain, France

Všetky práva vyhradené. Akékoľvek neautorizované použitie alebo kopírovanie obsahu alebo jeho časti je zakázané. Týka sa to predovšetkým obchodných značiek, označení modelov, čísiel dielov a výkresov. Používajte iba autorizované diely. Na akékoľvek škody alebo zlyhania spôsobené používaním neautorizovaných dielov sa nevzťahuje záruka ani ručenie za produkt.

Technické údaje

Technické údaje

Napětí (V)

36 V

Výstupní náhon

Model	Typ
EABA26-560-QRX	Výstup pro rychlé uvolnění
EABA32-410-QRX	Výstup pro rychlé uvolnění
EABA45-330-QRX	Výstup pro rychlé uvolnění
EABA50-450-QRX	Výstup pro rychlé uvolnění
EABA60-370-QRX	Výstup pro rychlé uvolnění
EABA75-300-QRX	Výstup pro rychlé uvolnění
EABA95-240-QRX	Výstup pro rychlé uvolnění

Rozsah momentu (Nm)

Model	Min./Jmen./Max.
EABA26-560-QRX	5/24/26
EABA32-410-QRX	7/30/32
EABA45-330-QRX	9/40/45
EABA50-450-QRX	9/45/50
EABA60-370-QRX	10/55/60
EABA75-300-QRX	12/70/75
EABA95-240-QRX	19/90/95

Rozsah momentu (ft.lb)

Model	Min./Jmen./Max.
EABA26-560-QRX	1,12/5,40/5,85
EABA32-410-QRX	1,57/6,74/7,19
EABA45-330-QRX	2,02/8,99/10,12
EABA50-450-QRX	2,02/10,12/11,24

Model	Min./Jmen./Max.
EABA60-370-QRX	2,25/12,36/13,49
EABA75-300-QRX	2,70/15,74/16,86
EABA95-240-QRX	4,27/20,23/21,36

Jmenovité otáčky (ot./min.)

Model	
EABA26-560-QRX	560
EABA32-410-QRX	410
EABA45-330-QRX	330
EABA50-450-QRX	450
EABA60-370-QRX	370
EABA75-300-QRX	300
EABA95-240-QRX	240

Hmotnost

Model	(kg)	(lb)
EABA26-560-QRX	2,04	4,50
EABA32-410-QRX	2,04	4,50
EABA45-330-QRX	2,21	4,87
EABA50-450-QRX	2,49	5,49
EABA60-370-QRX	2,82	6,22
EABA75-300-QRX	3,42	7,54
EABA95-240-QRX	3,46	7,63

i Hmotnost se udává bez bateriového zdroje.

Podmínky pro skladování a používání

Teplota skladování	-20 až +70 °C (-4 až +158 °F)
Provozní teplota	0 až 45 °C (32 až +113 °F)
Vlhkost při skladování	0–95 % RH (nekondenzující)
Provozní vlhkost	0-90 % RH (nekondenzující)
Max. nadmořská výška	2 000 m (6 562 stop)
K použití v prostředí se stupněm znečištění 2	
Použití pouze ve vnitřních prostorech	

Specifikace bezdrátové komunikace

RFID 13,56 MHz

Frekvence	13,553 MHz – 13,567 MHz
H-pole	< 42 dB μ A/m v 10 m podle ETSI EN 300 330 v2.1.1

Prohlášení

Odpovědnost

Mnoho událostí v provozním prostředí může ovlivňovat proces utahování a bude vyžadovat provedení ověření výsledků. V souladu s platnými normami anebo předpisy vás proto žádáme, abyste po každé události, který by mohla mít vliv na výsledek utahování, zkontrolovali instalovaný moment a směr otáčení. Mezi příklady takových událostí, mimo jiné, patří:

- počáteční instalace systému nástrojového vybavení;
- změna dávky dílů, šroubu, dávky šroubů, nástroje, softwaru, konfigurace nebo prostředí;
- změna připojení vzduchu nebo elektrických připojení;
- změna ergonomiky, procesu, procedur kontroly kvality nebo postupů na lince;
- výměna operátora
- jakákoliv jiná změna, která může ovlivnit výsledek procesu utahování.

Kontrola musí:

- zajistit, aby se vlivem události nezměnily podmínky spoje;
- být provedena po počáteční instalaci, údržbě nebo opravě zařízení;
- být prováděna alespoň jednou za směnu, nebo s jiným vhodném časovém intervalu.

EU PROHLÁŠENÍ O SHODĚ

My, společnost **Ets Georges Renault**, 38 rue Bobby Sands, 44818 Saint Herblain, France, na vlastní odpovědnost prohlašujeme, že produkt (s názvem, typem a sériovým číslem, viz přední strana) splňuje požadavky následujících směrnic:

2006/42/ES, 2011/65/EU, 2014/53/EU

Použité harmonizované normy:

EN 62841-2-2 :2015+AC1:2015 EN 61000-6-2:2005 EN 61000-6-3:2007+A1:2011 EN 61326-2-3:2006 EN 301 489-3 V2.1.1 EN 62311:200

Úřady si mohou vyžádat příslušné technické informace od: Pascal ROUSSY, R&D Manager, 38 rue Bobby Sands, 44818 Saint Herblain, France

Saint-Herblain, 13/09/2021

Pascal ROUSSY, R&D Manager

Podpis vystavitele



Prohlášení o hluku a vibracích

- Hladina akustického výkonu < 70 dB(A) , nejistota 3 dB(A), v souladu s EN 62841-2-2 : 2014.
- Celková hodnota vibrací < 2.5 m/s², nejistota 3 m/s², v souladu s EN 62841-2-2 : 2014.

Safety Information

Tyto deklarované hodnoty byly zjištěny laboratorní typovou zkouškou v souladu s uvedenými normami a jsou vhodné k porovnání s deklarovanými hodnotami jiných nástrojů testovaných v souladu s těmi stejnými normami. Tuto hodnotu emisí vibrací lze použít pro předběžné posouzení expozice. Tyto deklarované hodnoty nejsou vhodné k použití při posuzování rizik a hodnoty naměřené na jednotlivých pracovních místech mohou být vyšší. Skutečné hodnoty expozice a riziko poškození, kterým jsou vystaveni jednotliví uživatelé, jsou jedinečné a závisí na způsobu práce uživatele, na obrobku a na plánu pracovní stanice, na době expozice a fyzickém stavu uživatele.

My, **Ets Georges Renault**, neponeseme žádnou odpovědnost za důsledky použití deklarovaných hodnot, namísto hodnot odražejících skutečnou expozici, při individuálním hodnocení rizik v konkrétní situaci na pracovišti, kterou nemůžeme nijak ovlivnit.

Tento nástroj, pokud není přiměřeným způsobem používán, může způsobovat vibrační syndrom ruky a paže. Pokyny EU týkající se zvládnutí vibrací ruky a paže naleznete na webové stránce <http://www.pneurop.eu/index.php>, kde zvolte možnost „Tools“ (Nástroje) a poté „Legislation“ (Legislative).

Doporučujeme program zdravotního dohledu umožňující včasné odhalení symptomů, které mohou souviset se zatížením vibracemi, aby bylo možné upravit řídicí procesy s cílem předcházení budoucím újmám.

- i** Pokud je toto zařízení určeno pro vestavěné aplikace: Hlukové emise jsou uvedeny jako vodítko pro výrobce stroje. Údaje o hlukových a vibračních emisích pro celý stroj musí být uvedeny v návodu k použití stroje.

WEEE

Informace týkající se **odpadu z elektrických a elektronických zařízení (WEEE)**:

Tento produkt a informace o něm splňují požadavky Nařízení/Směrnice WEEE (2012/19/EU) a s produktem musí být nakládáno v souladu s požadavky této směrnice.

Produkt je označen následujícím symbolem:



Produkty označené symbolem přeškrtnuté popelnice na kolečkách s jednou černou čarou pod ní obsahují součásti, se kterými je nutno nakládat v souladu s nařízením / se směrnicí o odpadních elektrických a elektronických zařízeních (WEEE). Celý produkt, nebo jeho součásti označené WEEE, lze odeslat ke zpracování do „Zákaznického střediska“.

Informace ohledně článku 33 nařízení REACH

Nařízení Evropského parlamentu a Rady (ES) č. 1907/2006 o registraci, hodnocení, povolování a omezování chemických látek (REACH) kromě dalších záležitostí definuje požadavky vztahující se ke komunikaci v rámci dodavatelského řetězce. Požadavek na informace platí i pro produkty obsahující tzv.

látky vzbuzující mimořádné obavy („Seznam kandidátů“). Dne 27. Června 2018 bylo na seznam kandidátů zařazeno olovo (č. CAS 7439-92-1).

V souladu s výše uvedeným vás tímto informujeme, že určité elektrické a mechanické součásti produktu mohou obsahovat olovo. To je v souladu s aktuální legislativou o omezení látek a na základě platných výjimek ve Směrnici o omezení používání některých nebezpečných látek v elektrických a elektronických zařízeních (2011/65/EU) známé i pod zkratkou RoHS. Olovo nebude během běžného používání z produktu unikat ani v něm mutovat a celková koncentrace olova v produktu je výrazně pod platnou prahovou mezí. Zkontrolujte místní požadavky ohledně likvidace olova na konci životnosti produktu.

Oblastní požadavky

⚠ VÝSTRAHA

U tohoto výrobku můžete být vystaveni působení chemických látek včetně olova, což je ve státě Kalifornie faktor způsobující rakovinu, poškození plodu nebo jiné reprodukční poškození. Více informací je k dispozici na stránce

<https://www.p65warnings.ca.gov/>

Bezpečnost

NEVYHAZUJTE – PŘEDEJTE UŽIVATELI

⚠ VÝSTRAHA Vždy dodržujte všechna zákonná bezpečnostní pravidla týkající se instalace, provozu a údržby produktu.

Prohlášení o použití

- Pouze pro profesionální použití.
- Tento nástroj a jeho příslušenství je zakázáno jakýmkoliv způsobem upravovat.
- Nepoužívejte tento produkt, pokud je poškozen.
- Pokud na produktu nejsou čitelné štítky s údaji o produktu či výstražné štítky, nebo pokud dojde k jejich oddělení od produktu, bez prodlení je nahraďte novými.
- Tento produkt smí instalovat, používat či provádět jeho servis pouze kvalifikované osoby v průmyslovém montážním prostředí.

Zamýšlené používání

Tento produkt je učen k montáži a demontáži spojovacích prostředků se závity do/z(e) dřeva, kovu či plastu. Není dovoleno žádné jiné používání. Pouze pro profesionální používání.

Používejte výhradně následující akumulátory Desoutter.

- Akumulátor 18 V 2,5 Ah, číslo dílu 6158132660
- Akumulátor 36 V 2,5 Ah, číslo dílu 6158132670

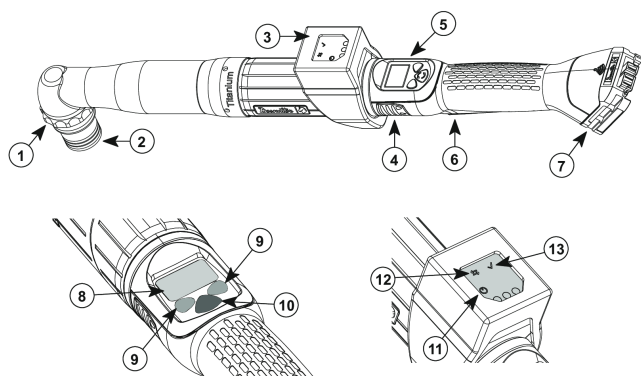
Akumulátory je nutno dobíjet **výhradně** nabíječkou akumulátorů Desoutter (6158132700).

Kompletní pokyny naleznete v bezpečnostních pokynech pro

nabíječku akumulátorů (6159925310) návodu k zařízení, které jsou k dispozici v několika jazycích na stránce <https://www.desouttertools.com/resource-centre>

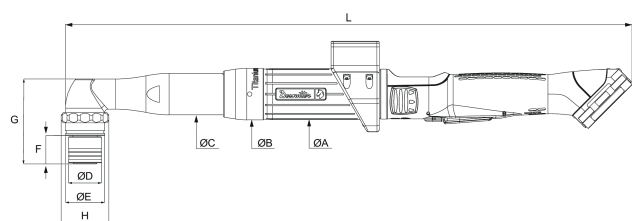
Pokyny specifické pro produkt

Popis produktu



- | | |
|----|---------------------------------------------------------------------------|
| 1 | Montážní adaptér pro Crowfoot |
| 2 | Výstup pro rychlé uvolnění |
| 3 | QR čtečka příslušenství |
| 4 | LED diody pro hlášení |
| 5 | Displej a tlačítka |
| 6 | Spouštěcí tlačítko |
| 7 | Velikost akumulátoru |
| 8 | Displej |
| 9 | Programovací tlačítka |
| 10 | Tlačítko zpětného chodu |
| 11 | Indikátor zobrazuje, zda příslušenství je zapnuté a připojené k napájení. |
| 12 | Probíhá čtení/zápis |
| 13 | Přiřazený Pset je připravený. |

Rozměry (mm)



Model	L	ØA	ØB
EABA26-560-QRX	496	46	46
EABA32-410-QRX	496	46	46
EABA45-330-QRX	506	46	46
EABA50-450-QRX	546	46	46
EABA60-370-QRX	559	46	58
EABA75-300-QRX	582	46	58
EABA95-240-QRX	582	46	58

Model	ØC	D	E

EABA26-560-QRX	37	25	28
EABA32-410-QRX	37	25	28
EABA45-330-QRX	37	30	35
EABA50-450-QRX	37	30	35
EABA60-370-QRX	41	33	40
EABA75-300-QRX	49	34	43
EABA95-240-QRX	49	34	43

Model	F	G	H
EABA26-560-QRX	22	68	35
EABA32-410-QRX	22	68	35
EABA45-330-QRX	25	76	44
EABA50-450-QRX	25	76	44
EABA60-370-QRX	27	85	49
EABA75-300-QRX	28	88	52
EABA95-240-QRX	28	88	52

Obecná bezpečnost při instalaci

Instalaci svěřte pouze vyškoleným osobám.

Zavěste nástroj bezpečně, například pomocí vyvažovacího zařízení. Při používání závěsného třmenu zkontrolujte, zda je v dobrém stavu a správně připevněný.

Pro nástroje s kabely: Systém vždy zapojte do uzemněné zásuvky. Před zapojením nebo odpojením kabelu nástroje vždy zkontrolujte, zda je odpojena síťová zástrčka a zda je vypnutá řídicí jednotka.

Obecná bezpečnost při provozu

- **Z důvodu rizika namotání nepoužívejte rukavice.**
- **Buďte připraveni na reakční sílu, která může při používání nástroje vzniknout.** Vždy držte rukojeť nástroje pevně, ve směru proti pohybu otáčení vřetena, abyste omezili účinek neočekávaného reakčního krouticího momentu v závěru dotahování a při zahájení uvolňování.
- **Nikdy se nepokoušejte držet otáčející se části nástroje, nástavce ani prodloužení nástroje.**
- **Osoby provádějící obsluhu a údržbu musí být fyzicky schopné manipulovat s objemným, těžkým a výkonným nástrojem.**
- **Je-li to možné, použijte závěsné rameno absorbující reakční moment. Pokud není možné použít závěsné rameno, je doporučeno v případě nástrojů s rovným pouzdrem či pistolovou rukojetí použít boční rukojeť; v případě úhlových utahováků je doporučeno použití reakčních tyčí.** Je doporučeno použít prostředky schopné absorbovat reakční moment vyšší než 4 Nm (3 lbf.ft) u nástrojů s rovným pouzdrem, vyšší než 10 Nm (7,5 lbf.ft) u nástrojů s pistolovou rukojetí a vyšší než 60 Nm (44 lbf.ft) u úhlových utahováků.
- **Přetažené či nedotažené spojovací prvky mohou mít za následek vážné zranění.** Montážní sestavy vyžadující konkrétní utahovací moment musí být zkontrolovány pomocí měřiče momentu. Tak zvané „západkové“ momentové klíče nejsou schopny zjistit potenciálně

Safety Information

nebezpečné stavy přetažení. Přetažené či nedotažené spojovací prvky se mohou rozlomit, uvolnit či oddělit. Uvolněné montážní sestavy se mohou změnit na odlétávající předměty.

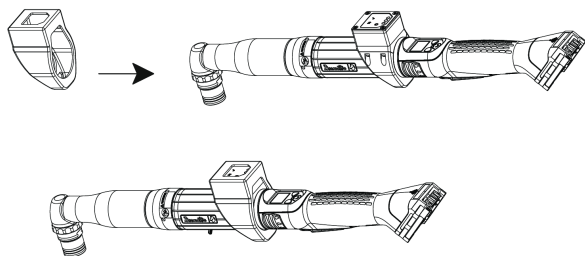
- **Používejte pouze nástavce určené pro nástroj nebo rázové nástavce, a to vždy v dobrém stavu.** Nepoužívejte ruční nástavce.
- **Při používání elektrického nástroje může obsluha pociťovat mírnou bolest v oblasti rukou, paží, ramen, krku nebo v jiných částech těla.** Během pracovního dne měňte vhodné polohy, stůjte pevně nohama na zemi/podložce a vyvarujte se nevyvážených a nepohodlných postojů.
- **Opakované pracovní pohyby, nepřírozené polohy a působení vibrací mohou být pro ruce a paže škodlivé.** Pokud se projeví strnulost, brnění, bolest nebo zblednutí kůže, přestaňte nástroj používat a poraďte se s lékařem.
- **Při provozu ve stísněných prostorech postupujte obezřetně.** Dbejte, aby nemohlo dojít k rozdrčení rukou mezi nástrojem a obrobkem.
- **Vysoké hladiny hluku mohou způsobit trvalou ztrátu sluchu.** Používejte ochranu sluchu doporučenou vašim zaměstnavatelem nebo předepsanou podle předpisů týkajících se bezpečnosti a ochrany zdraví při práci.
- **Dbejte na to, aby byl obrobek řádně upevněn.**
- **V neznámém pracovním prostředí si počínejte opatrně.** Dávejte pozor na potenciální rizika vznikající v důsledku vaší pracovní činnosti. Tento nástroj není izolován pro případ dotyku se zdroji elektrického proudu.

Nástroje používané společně s reakční tyčí: Při používání nástroje nikdy nedávejte ruce do blízkosti reakční tyče. Před spuštěním nástroje zkontrolujte směr otáčení vřetena, protože reakční síla může působit neočekávaným směrem a vytvářet riziko úrazu rozdrčením.

Pro nástroje se spojkou: Ihned po nastavení spojky zkontrolujte její správnou činnost.

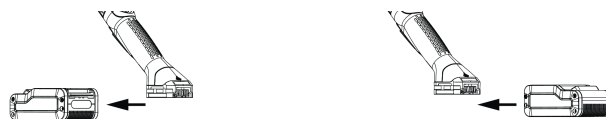
Postup montáže krytu na čtečku

- ① **Důrazně doporučujeme namontovat kryt dodaný v balení z důvodu ochrany čtečky před nárazy a poškozením.**



Nasuňte kryt na nástroj.
Silně ho zatlačte na čtečku.

Vkládání akumulátoru



Vkládejte akumulátor z přední nebo zadní strany nástroje, dokud nezazní zřetelný zvuk zaklapnutí.

Nástroj není vybaven spínačem Zap./Vyp.: je připraven k provozu okamžitě po založení akumulátoru.

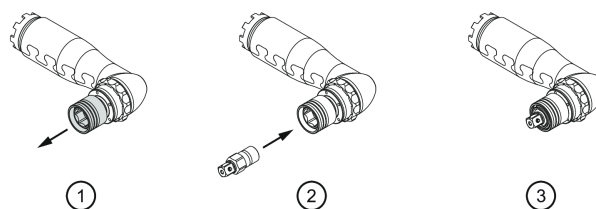
Když je nástroj připojen k napájení, LED diody blikají.

UPOZORNĚNÍ Doporučení k používání akumulátorů
Zajistěte si delší životnost akumulátoru.

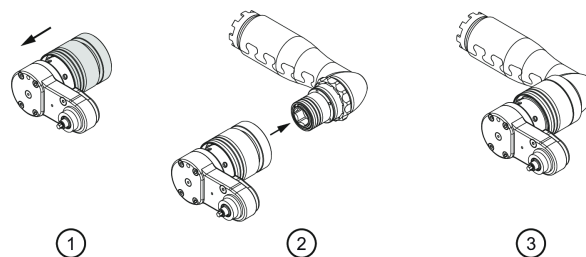
- ▶ Když se nástroj nepoužívá, akumulátor odpojte.
Nenechávejte akumulátor v nabíječce, když nabíječka již nenabíjí.

Způsob zapojení příslušenství

Hlavice



Crowfoot



Zapojte příslušenství podle obrázku do výstupu pro rychlé uvolnění a přiřaďte mu Pset.

Spuštění nástroje

Nasaďte na nástroj vhodnou hlavici.

Zvolte vhodný Pset.

Uchopte nástroj za rukojeť a přiložte ke spojovacímu materiálu, který se má utáhnout.

⚠ VÝSTRAHA Riziko zranění

Vzhledem k tomu, že úměrně k růstu utahovacího momentu roste i reakční síla, vzniká pro obsluhu riziko vážného úrazu v důsledku neočekávaného chování nástroje.

- ▶ Ujistěte se, že nástroj je v perfektním provozním stavu a že systém je správně naprogramován.

Nástroj spusťte stisknutím spouštěcího tlačítka.

Způsob změny směru otáčení



1 Tlačítko zpětného chodu

Stiskněte toto tlačítko.

Bliká střídavě červená a zelená LED dioda.

Nasadte nástroj na spojovací materiál a stiskněte spouštěcí tlačítko.

Obecná bezpečnost při servisu a údržbě

Řídicí jednotku vždy uchovávejte vypnutou, aby se zabránilo neočekávanému spuštění.

Provádění servisních prací svěřte pouze vyškoleným osobám.

Pokyny k čištění

Díly čistěte vlhkým hadříkem. Používejte pouze čistou vodu; nesmějí se používat čisticí prostředky obsahující rozpouštědla.

Ohledně rad k čištění a aktuálních doporučení pro daný nástroj se obraťte na svého servisního technika společnosti Desoutter.

Obecná bezpečnostní varování týkající se elektrických nástrojů

⚠ VÝSTRAHA Projděte si veškerá varování, pokyny, ilustrace a technické údaje dodané s tímto elektrickým nástrojem.

V případě nedodržení veškerých níže uvedených pokynů může dojít k elektrickému šoku, požáru a/nebo vážnému zranění.

Veškerá varování a pokyny si uschovejte pro budoucí použití.

Termín „elektrický nástroj“ ve varováních označuje elektrický nástroj napájený ze sítě (s kabelem) nebo akumulátorem (bez kabelový).

Bezpečnost pracoviště

- **Udržujte pracoviště v čistotě a dobře osvětlené.** Přeplněné nebo tmavé prostory bývají příčinou nehod.
- **Nepoužívejte elektrické nástroje ve výbušných prostředích, např. v přítomnosti hořlavých kapalin, plynů nebo prachu.** Elektrické nástroje jsou zdrojem jisker, od nichž se může vznítit prach nebo výpary.
- **Zajistěte, aby při používání elektrického nástroje nebyly nebyli v blízkosti přihlízející osoby ani děti.** Rozptýlení může mít za následek ztrátu kontroly nad situací.

Elektrická bezpečnost

- **Zástrčky elektrických nástrojů musejí odpovídat zásuvkám. Zástrčku nikdy žádným způsobem neupravujte. Nepoužívejte adaptérové zástrčky pro uzemněné elektrické nástroje.** Neupravené zástrčky a odpovídající zásuvky snižují riziko elektrického šoku.
- **Vyvarujte se tělesného kontaktu s uzemněnými povrchy, např. trubkami, radiátory, sporáky a lednicemi.** V případě, že vaše tělo je uzemněné, zvyšuje se riziko elektrického šoku.
- **Nevystavujte elektrické nástroje dešti ani vlhkému prostředí.** Pokud do nástroje vnikne voda, zvyšuje se riziko elektrického šoku.
- **Neporušujte kabel. Nikdy nepoužívejte kabely k nošení, tahání ani vypínání elektrického nástroje. Chraňte kabely před nadměrným teplem, ostrými hranami, olejem a pohyblivými částmi.** Poškozené nebo zamotané kabely zvyšují riziko elektrického šoku.
- **Při používání elektrického nástroje ve venkovním prostředí používejte prodlužovací kabely vhodné pro používání ve venkovním prostředí.** Používání kabelů vhodných pro používání ve venkovním prostředí snižuje riziko elektrického šoku.
- **Pokud je používání elektrického nástroje ve vlhkém prostředí nevyhnutelné, používejte společně s ním zařízení pro zbytkové proudy (RCD).** Použití zařízení pro zbytkové proudy snižuje riziko elektrického šoku.

Osobní bezpečnost

- **Při používání elektrického nástroje buďte ostražití, sledujte, co děláte a používejte zdravý rozum.** Nepoužívejte elektrický nástroj, pokud jste unavení nebo pod vlivem drog, alkoholu nebo léků. Chvilková nepozornost při práci s elektrickým nástrojem může mít za následek vážné zranění.
- **Používejte osobní ochranné prostředky. Vždy používejte ochranu zraku.** Ochranné prostředky, např. maska proti prachu, protiskluzová obuv, přilba nebo ochrana sluchu, používané v odpovídajících podmínkách snižují počet zranění.
- **Předcházejte neúmyslnému spuštění. Před připojením zdroje napájení a/nebo akumulátoru, uchopením nebo přenášením nástroje se ujistěte, že spínač je ve vypnuté poloze.** Přenášení elektrických nástrojů s prstem na spínači nebo připojování nástrojů se spínačem v zapnuté poloze k napájení představuje riziko zranění.
- **Před zapnutím nástroje odstraňte veškeré klíče používané k úpravám nebo nastavení nástroje.** Klíč přichycený k otáčející se části elektrického nástroje může mít za následek zranění.
- **Buďte vždy v běžné poloze. Za všech okolností stůjte ve stabilní a rovnovážné poloze.** To umožňuje lepší ovládání elektrického nástroje v neočekávaných situacích.
- **Noste odpovídající oděvy. Nenoste volné oděvy ani šperky. Udržujte vlasy i oděv mimo pohybující se části.** Volný oděv, šperky nebo dlouhé vlasy se mohou zachytit do pohybujících se částí.

- Pokud jsou k dispozici zařízení pro zapojení prostředků pro odvod a odtah prachu, ujistěte se, že jsou správně zapojena. Používání odtahu prachu může snížit rizika související s prachem.
- Nedovolte, aby rutina získaná častým používáním nástrojů vedla k přílišnému uspokojení a ignorování bezpečnostních zásad práce s nástrojem. Lehkomyslný krok může způsobit vážné zranění během zlomku vteřiny.
- Při provádění činnosti, během níž řezací příslušenství může přijít do kontaktu se skrytou kabeláží nebo vlastním kabelem napájení, držte elektrický nástroj za izolované povrchy k uchopení. V případě kontaktu řezacího příslušenství s kabelem pod napětím může dojít k přenosu napětí na obnažené kovové části elektrického nástroje a obsluha by mohla utrpět elektrický šok.

Používání elektrického nástroje a péče o něj

- Nepoužívejte při práci s elektrickým nástrojem nadměrnou sílu. Používejte vždy správný elektrický nástroj pro danou aplikaci. Správný elektrický nástroj provede úkol lépe a bezpečněji a tempem, pro které je jeho konstrukce určena.
- Nepoužívejte elektrický nástroj, pokud ho nelze zapnout a vypnout spínačem. Jakýkoli elektrický nástroj, který nelze ovládat spínačem, je nebezpečný a musí se opravit.
- Před prováděním jakýchkoli úprav, výměnou příslušenství nebo uložením elektrických nástrojů odpojte zástrčku od zdroje napájení a/nebo vyjměte akumulátor, je-li vyjímatelný, z elektrického nástroje. Taková preventivní opatření snižují riziko náhodného spuštění elektrického nástroje.
- Nepoužívané elektrické nástroje uchovávejte mimo dosah dětí a nedovolte osobám, které nejsou obeznámeny s elektrickým nástrojem či těmito pokyny, aby elektrický nástroj používaly. V rukách nevyškolených uživatelů jsou elektrické nástroje nebezpečné.
- Provádějte údržbu elektrických nástrojů a příslušenství. Zkontrolujte, zda pohyblivé části lícují a nejsou spojené či porušené. Také zkontrolujte, zda není zjevného nic jiného, co by mohlo ovlivnit provoz elektrického nástroje. V případě poškození nechte elektrický nástroj před použitím opravit. K mnoha nehodám dochází v důsledku špatné údržby elektrických nástrojů.
- Řezací nástroje udržujte ostré a čisté. Řezací nástroje s ostrými řezacími hranami, které jsou řádně udržovány, představují menší riziko zachycení a snadněji se ovládají.
- Používejte elektrický nástroj, příslušenství a nástavce apod. v souladu s těmito pokyny a berte v úvahu pracovní podmínky i úkol, který se má provést. Používání elektrického nástroje k úkonům, který se liší od zamýšlených, může mít za následek vznik nebezpečné situace.
- Udržujte rukojeti a plochy k zachycení v suchém a čistém stavu a bez oleje či jiného maziva. Kluzké rukojeti a plochy k zachycení neumožňují bezpečnou manipulaci a ovládání nástroje v neočekávaných situacích.

Používání akumulátoru do nástroje a péče o něj

- Nabíjejte pouze v nabíječce, která je uvedena v pokynech výrobce. Nabíječka vhodná pro jeden typ akumulátoru může v případě použití s jiným akumulátorem představovat riziko požáru.
- Používejte elektrické nástroje pouze se specifickými určenými akumulátory. Používání jiných akumulátorů může mít za následek vznik rizika zranění a požáru.
- Když se akumulátor nepoužívá, udržujte ho mimo dosah kovových předmětů, např. kancelářských sponek, mincí, klíčů, hřebíků, šroubů či jiných malých kovových předmětů, které by mohly propojit svorky akumulátoru. Zkratování svorek akumulátoru může mít za následek popáleniny nebo vznik požáru.
- V nepříznivých podmínkách může z akumulátoru uniknout kapalina – vyvarujte se kontaktu. Pokud ke kontaktu náhodou dojde, opláchnete kůži vodou. Pokud dojde ke kontaktu s kapalinou v oblasti očí, vyhledejte navíc pomoc lékaře. Kapalina, která unikne z akumulátoru, může způsobit podráždění či popáleniny.
- Nepoužívejte akumulátor ani nástroj jevící známky úprav nebo poškození. Poškozené nebo upravené akumulátory mohou vykazovat nepředvídatelné chování, které může mít za následek vznik požáru, výbuch či riziko zranění.
- Akumulátor ani nástroj nevystavujte ohni ani nadměrné teplotě. Vystavení ohni či nadměrné teplotě nad 130 °C může být příčinou výbuchu.
- Postupujte podle veškerých pokynů k nabíjení a nenabíjejte akumulátor ani nástroj mimo rozsah teplot, který je uvedený v pokynech. Nesprávné nabíjení nebo nabíjení mimo uvedený rozsah teplot může mít za následek poškození akumulátoru a zvýšení rizika vzniku požáru.

Servis

- Nechte provádět elektrický nástroj kvalifikovaného opraváře s používáním výhradně totožných náhradních dílů. Tím bude zaručena bezpečnost elektrického nástroje.
- Nikdy neprovádějte servis poškozených akumulátorů. Servis akumulátoru smí provádět pouze výrobce nebo autorizovaní poskytovatelé servisních služeb.

Označení a nálepky

Produkt je opatřen značkami a štítky s důležitými informacemi o osobní bezpečnosti a údržbě produktu. Tyto značky a štítky musí být neustále snadno čitelné. Nové značky a štítky je možné si objednat pomocí seznamu náhradních dílů.



Užitečné informace

Webová stránka

Informace týkající se našich produktů, příslušenství, náhradních dílů a publikovaných dokumentů naleznete na webových stránkách společnosti Desoutter.

Navštivte: www.desouttertools.com.

Informace o příručkách k instalaci

Podrobný návod k použití, instalační příručka a příručka k upgradu jsou k dispozici na adrese <https://www.desouttertools.com/resource-centre>.

Informace o náhradních dílech

Nákresy zařízení v rozloženém stavu a seznamy náhradních dílů jsou k dispozici v Odkazu na servis na adrese www.desouttertools.com.

Země původu

France

Materiálové bezpečnostními listy MSDS/ SDS

Bezpečnostní listy popisují chemické produkty, které prodává společnost Desoutter.

Více informací získáte na webových stránkách společnosti Desoutter na adrese <https://www.desouttertools.com/legal/sds>.

Copyright

© 2022, Ets Georges Renault, 38 rue Bobby Sands, 44818 Saint Herblain, France

Všechna práva vyhrazena. Veškeré neautorizované použití a kopírování obsahu nebo jeho částí je zakázáno. To platí zejména o obchodních známkách, označeních modelu, číslech součástek a výkresech. Používejte pouze schválené náhradní díly. Jakékoliv škody nebo závady způsobené použitím neschválených dílů nejsou kryty Zárukou ani Odpovědností za produkt.

Műszaki adatok

Műszaki adatok

Feszültség (V)

36 V 

Behajtókimenet

Modell	Típus
EABA26-560-QRX	Gyorskioldó kimenet
EABA32-410-QRX	Gyorskioldó kimenet

Modell	Típus
EABA45-330-QRX	Gyorskioldó kimenet
EABA50-450-QRX	Gyorskioldó kimenet
EABA60-370-QRX	Gyorskioldó kimenet
EABA75-300-QRX	Gyorskioldó kimenet
EABA95-240-QRX	Gyorskioldó kimenet

Nyomatéktartomány (Nm)

Modell	Min. / Névleges / Max.
EABA26-560-QRX	5 / 24 / 26
EABA32-410-QRX	7 / 30 / 32
EABA45-330-QRX	9 / 40 / 45
EABA50-450-QRX	9 / 45 / 50
EABA60-370-QRX	10 / 55 / 60
EABA75-300-QRX	12 / 70 / 75
EABA95-240-QRX	19 / 90 / 95

Nyomatéktartomány (ft.lb)

Modell	Min. / Névleges / Max.
EABA26-560-QRX	1,12 / 5,40 / 5,85
EABA32-410-QRX	1,57 / 6,74 / 7,19
EABA45-330-QRX	2,02 / 8,99 / 10,12
EABA50-450-QRX	2,02 / 10,12 / 11,24
EABA60-370-QRX	2,25 / 12,36 / 13,49
EABA75-300-QRX	2,70 / 15,74 / 16,86
EABA95-240-QRX	4,27 / 20,23 / 21,36

Névleges sebesség (percenkénti fordulatszám)

Modell	
EABA26-560-QRX	560
EABA32-410-QRX	410
EABA45-330-QRX	330
EABA50-450-QRX	450
EABA60-370-QRX	370
EABA75-300-QRX	300
EABA95-240-QRX	240

Tömeg

Modell	(kg)	(lb)
EABA26-560-QRX	2,04	4,50
EABA32-410-QRX	2,04	4,50
EABA45-330-QRX	2,21	4,87
EABA50-450-QRX	2,49	5,49
EABA60-370-QRX	2,82	6,22
EABA75-300-QRX	3,42	7,54
EABA95-240-QRX	3,46	7,63

 A tömeg akkumulátor nélkül értendő.

Tárolási és használati körülmények

Tárolási hőmérséklet	-20 – +70 °C (-4 – +158 °F)
Üzemi hőmérséklet	0 – 45 °C (32 – +113 °F)
Tárolási páratartalom	0–95% relatív páratartalom (nem lecsapódó)
Üzemi páratartalom	0-90 % relatív páratartalom (nem lecsapódó)
Tengerszint feletti magasság max.	2000 m (6562 láb)
Használható légszennyezettség alapján 2. fokozatba sorolt környezetben	
Csak beltéri használatra	

Vezeték nélküli kommunikáció specifikációi

RFID 13,56 MHz

Frekvencia	13,553 MHz – 13,567 MHz
Mágneses mező:	< 42 dB μ A/m 10 m-en az ETSI EN 300 330 v2.1.1 szabvány szerint

Nyilatkozatok

Felelősség

A működési környezet számos tényezője befolyásolhatja a meghúzási műveletet, ezért az eredmények jóváhagyására lehet szükség. A vonatkozó standardoknak és/vagy szabályozásoknak való megfelelés érdekében ezennel szükségessé tesszük a telepítési nyomatek és forgási irány ellenőrzését és jóváhagyását arra az esetre, ha a meghúzási eredményt bármilyen külső esemény befolyásolhatja. Examples of such events include but are not limited to:

- a már előzetesen telepített szerszám gép
- alkatrész-egységek, csavarok, fejes-csavar egységek, eszközök, szoftver, konfiguráció vagy környezet megváltozása
- levegő- vagy elektromos csatlakozók megváltozása
- ergonómiai, feldolgozási, minőségi folyamatok vagy gyakorlatok megváltozása
- a kezelő megváltoztatása
- bármilyen más változás, amely befolyásolja a meghúzási folyamat eredményét

Az ellenőrzésnek a következő feltételeknek kell megfelelnie:

- Ellenőrizni kell, hogy a csatlakozók állapota nem változott a befolyásoló események következtében.
- Az ellenőrzést az első telepítés, karbantartás vagy javítás előtt kell elvégezni.
- Az ellenőrzést minden egyes műszakban - vagy azonos rendszerességgel - el kell végezni.

EU MEGFELELŐSÉGI NYILATKOZAT

Mi, az **Ets Georges Renault**, 38 rue Bobby Sands, 44818 Saint Herblain, France, kizárólagos felelősségünk tudatában kijelentjük, hogy a termék (a típust és termékszámot lásd az első oldalon) megfelel a következő irányelv(ek)nek: **2006/42/EK, 2011/65/EU, 2014/53/EU**

Alkalmazott harmonizált szabványok:

EN 62841-2-2 :2015+AC1 :2015 EN 61000-6-2 :2005 EN 61000-6-3 :2007+A1 :2011 EN 61326-2-3 :2006 EN 301 489-3 V2.1.1 EN 62311 :200

A hatóságok kérhetik a vonatkozó műszaki információkat: Pascal ROUSSY, R&D Manager, 38 rue Bobby Sands, 44818 Saint Herblain, France

Saint-Herblain, 2021. szeptember 13.

Pascal ROUSSY, R&D Manager

A kiadó aláírása

Nyilatkozat zaj- és rezgés kibocsátásról

- Hangerőszint: < 70 dB(A), bizonytalanság: 3 dB(A), a következő szabványnak megfelelően: EN 62841-2-2 : 2014.
- Teljes vibrációs érték: < 2.5 m/s², bizonytalanság: 3 m/s², a következő szabványnak megfelelően: EN 62841-2-2 : 2014.

Ezeket a meghatározott értékeket laboratóriumi vizsgálatnak vetettük alá a megfelelő szabványoknak megfelelően, és alkalmasak az egyéb szabványok szerint vizsgált egyéb szerszámok meghatározott értékeinek összehasonlítására. A rezgés kibocsátási szint az expozíció előzetes értékeléséhez használható. Ezek a kijelentett értékek nem megfelelőek a kockázatértékelésekhez, és az egyes munkahelyeken mért értékek magasabbak lehetnek. A tényleges expozíciós értékek és az egyes felhasználók által elszenvedett károk kockázata egyedülálló, és függ a felhasználó munkájától, a munkadarabtól és a munkaállomás tervezésétől, valamint az expozíció időtartamától és a felhasználó fizikai állapotától.

Az **Ets Georges Renault** nem vállal felelősséget a névleges értékek figyelembe vételért a valós kitétségi értékekkel szemben olyan egyedi munkahelyi szituációkra vonatkozóan, amelyeknek feltételeit nem áll módunkban befolyásolni.

Ez a szerszám gép - ha használatát nem megfelelően ütemezik - kéz-kar vibrációs (HAVS) szindrómát okozhat. A kéziszerszámok által okozott rezgésre vonatkozó EU-s útmutató a <http://www.pneurop.eu/index.php> oldalon a „Tools” (Eszközök), majd a „Legislation” (Törvények) pont választásával érhető el.

Egészségfelmérési programot ajánlunk az olyan korai tünetek felismerésére, amelyek kapcsolatban állhatnak a rezgési terheléssel, hogy az eljárásokat módosítani lehessen a helyzet további romlásának megakadályozására.

- ❗ A berendezést rögzítési eljárásokhoz terveztük: A megadott zajkibocsátási szint a gépgyártó tájékoztatására szolgál. A teljes gépberendezés zaj- és rezgés-kibocsátási adatait keresse a gép használati útmutatójában.

WEEE irányelv

Elektromos és elektronikus berendezések hulladékaival (WEEE - Waste of Electrical and Electronic Equipment) kapcsolatos információk.

Ez a termék és tájékoztatója megfelel a WEEE irányelvnek/szabályozásoknak (2012/19/EU), és az irányelv/szabályozások előírásainak megfelelően kell kezelni.

A terméket a következő szimbólummal láttuk el:



Az áthúzott szemetesekükát és alatta egy szimpla fekete sávot ábrázoló szimbólummal megjelölt termékek olyan részeket tartalmaznak, amelyeket a WEEE irányelvnek/szabályozásoknak megfelelően kell kezelni. A teljes terméket vagy WEEE hatálya alá tartozó részeit az Ügyfélközpontba küldheti hulladékkezelés céljából.

Információ a REACH-rendelet 33. cikke kapcsán

A vegyi anyagok regisztrálásáról, értékeléséről, engedélyezéséről és korlátozásáról szóló 1907/2006/EK rendelet (REACH) többek között az ellátási láncban történő információközlésre vonatkozó követelményeket ír elő. Az információközlési követelmény többek között a különösen veszélyes anyagokat tartalmazó termékekre irányul (a „Jelöltlista”). 2018. június 27-én az ólom (CAS-szám: 7439-92-1) is felkerült a jelöltlistára.

A fentiekkel összhangban ezúton tájékoztatjuk Önt, hogy a termékben bizonyos elektronikus és mechanikus részek ólmot tartalmazhatnak. Ez megfelel az anyagok korlátozására vonatkozó jelenlegi jogszabályoknak, és az RoHS irányelv (2011/65/EU) jogszerű kivételein alapul. Az ólom normál használat folyamán nem szivárog és nem képződik a termékből, és az ólom koncentrációja a teljes termékben jóval a vonatkozó határérték alatt van. Kérjük, hogy a termék élettartamának végén vegye figyelembe az ólom ártalmatlanítására vonatkozó helyi előírásokat.

Regionális követelmények

⚠ FIGYELEM

A termék különböző vegyi anyagoknak, például ólomnak való kitettséget okozhat, az ólmot pedig Kalifornia állam hatóságai a rákkeltő, születési rendellenességeket vagy más szaporodási ártalmakat okozó anyagok közé soroltak. További tudnivalóért lásd

<https://www.p65warnings.ca.gov/>

Biztonság

NE DOBJA EL – ADJA ÁT A FELHASZNÁLÓNAK!

- ⚠ **FIGYELEM** Minden körülmények között tartsa be a felszerelésekre, üzemeltetésre és karbantartásra vonatkozó, a törvény szerint érvényben lévő helyi biztonsági szabályokat.

Használatra vonatkozó nyilatkozat

- Kizárólag professzionális felhasználásra.
- A terméket és tartozékait semmilyen módon nem szabad módosítani.
- Ne használja a terméket, ha sérült.
- Ha a termék adatai vagy az előírt sebességre vonatkozó vagy veszélyre figyelmeztető címkék a terméken nem olvashatók vagy leváltak, a lehető leghamarabb tegyen fel újakat.
- A termék üzembe helyezését, üzemeltetését és szervizelését kizárólag szakképzett személy végezheti ipari környezetben.

Rendeltetésszerű használat

Ez a termék menetes csavarok fába, fémbe vagy műanyagba való beszerelésére és onnan való eltávolítására szolgál. Másra használni tilos. Kizárólag szakember általi használatra.

Csak a következő Desoutter akkumulátorokhoz használja:

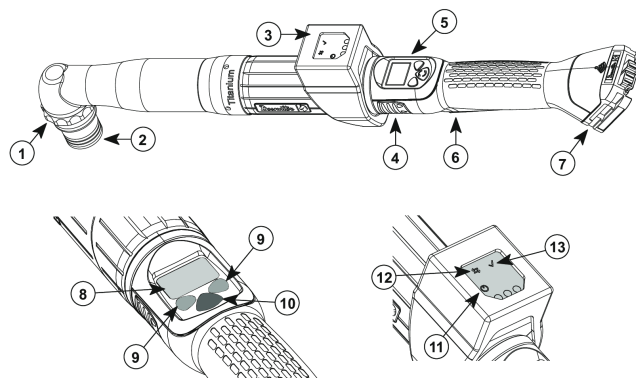
- Akkumulátor, 18 V 2,5 Ah, cikkszám: 6158132660
- Akkumulátor, 36 V 2,5 Ah, cikkszám: 6158132670

Az akkumulátorok töltéséhez **kizárólag** a 6158132700-as cikkszámú Desoutter akkumulátortöltőt használja.

A teljes útmutatásért lásd az akkumulátor biztonsági útmutatását (6159925310) és termékútmutatóját, amely számos nyelven elérhető a következő címen: <https://www.desouttertools.com/resource-centre>.

Termékspecifikus utasítások

Termékleírás

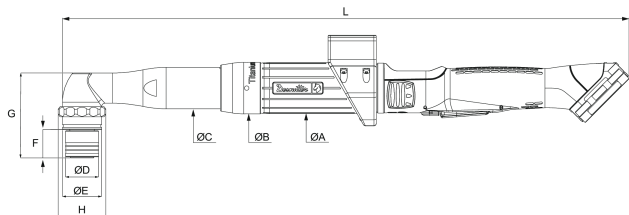


- 1 Átalakító Crowfoot rögzítéséhez
- 2 Gyorskioldó kimenet
- 3 QR-olvasó
- 4 Visszajelző LED-ek

Safety Information

- 5 Kijelző és gombok
- 6 Indítókapcsoló
- 7 Akkumulátorfoglat
- 8 Kijelző
- 9 Programozógombok
- 10 Megfordítógomb
- 11 Jelzőfény, amely azt jelzi, hogy a tartozék tápellátás alatt áll.
- 12 Írás/olvasás folyamatban
- 13 A társított Pset készen áll.

Méretetek (mm)



Modell	L	ØA	ØB
EABA26-560-QRX	496	46	46
EABA32-410-QRX	496	46	46
EABA45-330-QRX	506	46	46
EABA50-450-QRX	546	46	46
EABA60-370-QRX	559	46	58
EABA75-300-QRX	582	46	58
EABA95-240-QRX	582	46	58

Modell	ØC	D	E
EABA26-560-QRX	37	25	28
EABA32-410-QRX	37	25	28
EABA45-330-QRX	37	30	35
EABA50-450-QRX	37	30	35
EABA60-370-QRX	41	33	40
EABA75-300-QRX	49	34	43
EABA95-240-QRX	49	34	43

Modell	F	G	H
EABA26-560-QRX	22	68	35
EABA32-410-QRX	22	68	35
EABA45-330-QRX	25	76	44
EABA50-450-QRX	25	76	44
EABA60-370-QRX	27	85	49
EABA75-300-QRX	28	88	52
EABA95-240-QRX	28	88	52

Általános információ a biztonságos üzembe helyezésről

A berendezés telepítését kizárólag arra jogosult szakember végezheti.

Függeszesse fel a szerszámot biztonságosan, például emelő használatával. Ha felfogatóbilincset használ, vigyázzon arra, hogy az legyen jó állapotban és megfelelően rögzítve.

Vezetékes szerszámok esetén: A rendszert kizárólag földelt csatlakozóhoz csatlakoztassa. A szerszám gép tápkábelének csatlakoztatása vagy leválasztása előtt húzza ki a vezérlő tápkábelét az elektromos hálózatról.

Általános információ a biztonságos üzemeltetésről

- **A beakadásveszély elkerülése érdekében ne használjon kesztyűt.**
- **A szerszám használata közben készüljön fel a reakcióerőre.** A szerszám markolatát mindig erősen kell fogni, ellentartva a forgórész forgási irányával ellenkező irányban, ezáltal csökkentve a végső meghúzás vagy a meglazítás hirtelen nyomatékreakciójának hatását.
- **Soha ne a fejet, a foglalatot vagy a bővítményt tartsa.**
- **A kezelőnek és a karbantartónak képesnek kell lennie a szerszám kezelésére, tekintetbe véve annak méreteit, súlyát és teljesítményét.**
- **Ha lehetséges használjon egy felfüggesztő kart, hogy csökkentse a visszaható nyomatékot. Ha a felfüggesztő kar használata nem lehetséges, javasolt oldalsó markolatokat alkalmazni az egyenes házú és pisztolyfogantyús szerszámoknál; sarok-csavarbehajtó gépeknél visszaható elleni rudak alkalmazandók.** Javasolt alkalmazni valamilyen nyomatékcsökkentő módszert, ha a visszaható nyomaték egyenes házú szerszámoknál 4 Nm-nél (3 lbf.ft), pisztolyfogantyús szerszámoknál 10 Nm-nél (7.5 lbf.ft) vagy sarok-csavarbehajtó gépeknél 60 Nm-nél (44 lbf.ft) nagyobb.
- **Az alulhúzott vagy túlhúzott kötőelemek súlyos sérülést okozhatnak.** Az előírt nyomatékú csatlakozódarabok nyomatékát nyomaték mérővel kell ellenőrizni. Az úgynevezett „kattanós” nyomaték kulcsokkal nem lehet megállapítani egy esetleges túlhúzást, ami veszélyes lehet. A túlhúzott és alulhúzott kötőelemek törhetnek, kilazulhatnak és leválhatnak. A kilazult szerelvénnyek nagy sebességgel lerepülhetnek.
- **Csak jó állapotú, szerszámgépekhez vagy ütőszerszámokhoz való foglalatokat szabad használni.** Ne használjon kéziszerszámokhoz való foglalatokat.
- **A szerszámgépek használata közben a gépkezelő kényelmetlenséget érezhet karjában, kezén, vállain, nyakán, vagy más testrészeiben.** Változtassa a megfelelő testtartásokat a munkanap folyamán, biztos lábtartással álljon, és kerülje a kényelmetlen vagy instabil testhelyzeteket.
- **Az ismétlődő mozdulatok, a célszerűtlen testhelyzetek és a vibráció káros lehet a kezekre és a karokra.** Hagyja abba a szerszám használatát és forduljon orvoshoz, ha zsibbadás, viszketés, fájdalom vagy a bőr elfehéredése lép fel!
- **Legyen óvatos, amikor szűk helyen használja.** Vigyázni kell a szerszám és a munkadarab közé kerülő kéz sérülésére.

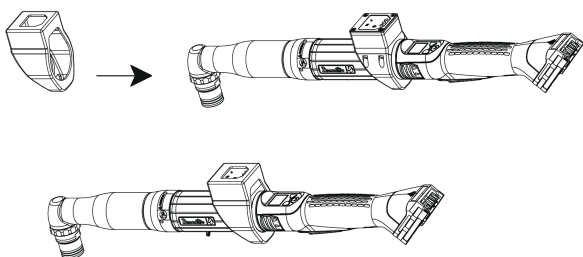
- **A nagy zajszint tartós halláskárosodást okozhat.** Használjon zajvédelmi eszközöket a munkáltató előírásai, illetve a munkaegészségügyi vagy munkabiztonsági előírások szerint.
- **Rögzítse biztonságosan a munkadarabot.**
- **Ismeretlen környezetben óvatosan mozogjon.** Legyen tudatában a munkavégzés során keletkező potenciális veszélyeknek! Ez a szerszám nem rendelkezik elektromos áramforrásokkal történő érintkezéshez elektromos szigeteléssel.

Torzios rúddal együtt használt szerszámok: A szerszám használata közben soha ne helyezze kezét a reakciós rúd közelébe. Kérjük, a szerszám bekapcsolása előtt tanulmányozza a tengely forgásirányát, ugyanis a reakcióerő váratlan irányban hathat, ami zúzóvási veszélyt jelent.

Kuplunggal rendelkező szerszámok: A kuplungbeállítás után azonnal ellenőrizni kell, hogy jól működik-e.

A borítás felszerelése az olvasóra

- ❗ Erősen ajánlott felszerelni a csomagban mellékelte borítást, amely arra szolgál, hogy megvédje az olvasót az ütésektől és a károsodástól.



Csúsztassa rá a borítást a szerszámmra. Nyomja rá határozottan az olvasóra.

Az akkumulátor behelyezése



Helyezze be az akkumulátort a szerszám elejébe vagy hátuljába, amíg egy egyértelmű kattánás nem hallható.

Nincs főkapcsoló: az akkumulátor csatlakoztatása után a szerszám készen áll a használatra.

A szerszám bekapcsolásakor a LED-ek elkezdnek villogni.

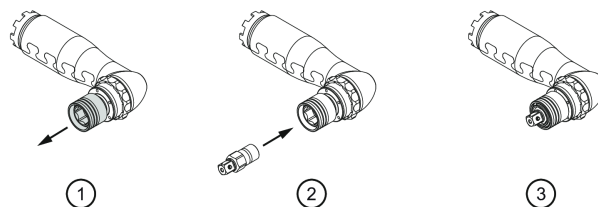
MEGJEGYZÉS Használati javaslatok akkumulátorokhoz
Ügyeljen az akkumulátor hosszabb élettartamára.

- ▶ Ha nem használja a szerszámot, válassza le az akkumulátort.

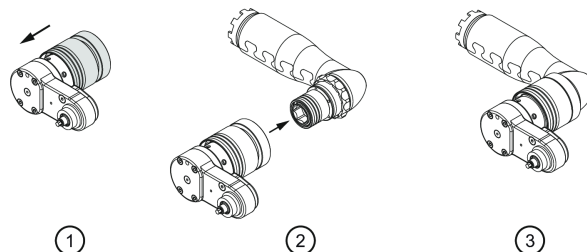
Ne hagyja az akkumulátort a töltőn, ha a töltő áramellátása ki van kapcsolva.

Tartozékok csatlakoztatása

Foglalat



Crowfoot



Az ábrán látható módon csatlakoztasson egy tartozékot a gyorskioldó kimenethez, majd rendeljen hozzá egy Psetet.

A szerszám beindítása

Megfelelő foglalatot szereljen fel a szerszámmra.

Válassza ki a megfelelő Psetet.

A markolatnál fogva tartsa a szerszámot, és illessze rá a megszorítandó rögzítőelemre.

⚠ FIGYELEM Sérülésveszély

Ahogy a reakcióerő a meghúzási nyomatékkaal arányosan növekszik, a szerszám váratlan viselkedése súlyos sérülésveszélyt jelenthet a kezelőre nézve.

- ▶ Ügyeljen a szerszám kifogástalan működési állapotára és a rendszer megfelelő programozására.

A szerszám elindításához nyomja meg az indítókapcsolót.

A forgási irány megfordítása



1 Működési irány megfordítógombja

Nyomja meg ezt a gombot.

A piros és a zöld LED felváltva villog.

Illessze a szerszámot a rögzítőelemhez, majd nyomja meg az indítókapcsolót.

Általános információ a biztonságos szervizelésről és karbantartásról

A váratlan indítás elkerülése érdekében szervizelés közben a vezérlőt mindig tartsa kikapcsolva.

A berendezés szervizelését kizárólag arra jogosult szakember végezheti.

Tisztítási útmutató

Az alkatrészek tisztításához használjon nedves textíliát. A textíliát kizárólag vízzel itassa át; oldószert tartalmazó tisztítószer erre a célra nem alkalmazható!

Az aktuális javaslatoknak és az adott szerszámnak megfelelő tisztítási útmutatásért forduljon a Desoutter szerelőjéhez.

Szerszámgépekre vonatkozó általános biztonsági figyelmeztetések

⚠ FIGYELEM Olvassa el a szerszámgéphez mellékelt összes biztonsági figyelmeztetést, útmutatást, ábrát és specifikációt.

Az alábbiakban felsorolt instrukciók hiánytalan betartásának elmulasztása áramütést, tüzet és/vagy súlyos sérülést okozhat.

Tartsen meg minden figyelmeztetést és útmutatást, hogy később is elérhetőek maradjanak.

A figyelmeztetéseken a „szerszámgép” kifejezés a hálózatról működő (vezetékes) vagy akkumulátorral működő (vezeték nélküli) szerszámgépre vonatkozik.

A munkaterület biztonsága

- **A munkaterület mindig legyen tiszta és jól megvilágított.** A rendetlen és sötét területeken nagyobb a balesetek esélye.
- **A szerszámgépeket ne működtesse robbanásveszélyes környezetben, például robbanásveszélyes folyadékok, gázok vagy porok jelenlétében.** A szerszámgépek olyan szikrákat keltenek, amelyek lángra lobbanthatják a porokat és gőzöket.
- **A szerszámgép használata során ügyeljen arra, hogy ne legyenek a közelben gyermekek és nézelődők.** A zavaró tényezők miatt elveszítheti az irányítást a szerszám felett.

Elektromos biztonság

- **A szerszámgép hálózati csatlakozójának meg kell felelnie az aljzatnak. Soha, semmilyen módon ne módosítsa a hálózati csatlakozót. Ne használjon csatlakozóadaptereket földelt szerszámgépekhez.** A módosítás nélküli hálózati csatlakozók és aljzatok használata csökkenti az esetleges áramütés veszélyét.
- **Ne érjen hozzá földelt felületekhez, például csövekhez, radiátorokhoz, tűzhelyekhez vagy hűtőkhöz.** Ha a teste földelve van, az növeli az áramütés veszélyét.
- **Ne tegye ki a szerszámgépet esőnek vagy nedvességnek.** Ha a szerszámgépbe víz jut, az növeli az áramütés veszélyét.
- **A vezetékeket csak rendeltetésszerűen használja. Soha ne cipelje, húzza vagy húzza ki a hálózathoz a szerszámgépet a vezetékénél fogva. Óvja a vezetéket hőtől, olajtól, éles tárgyaktól és mozgó alkatrészekről.** A sérült vagy összegabalyodott vezetékek növelik az áramütés veszélyét.

- **A szerszámgép kültéri használata esetén kültéri használatra alkalmas hosszabbítókábelt használjon.** A kültéri használatra alkalmas kábel használata csökkenti az áramütés veszélyét.
- **Amennyiben feltétlenül nyirkos helyen kell használnia a szerszámgépet, használjon áram-védőkapcsolóval védett tápellátást.** Az áram-védőkapcsoló használata csökkenti az áramütés veszélyét.

Személyi biztonság

- **A szerszámgép használata során legyen éber, figyeljen arra, amit csinál, és a józan ész szerint cselekedjen. Ne használjon szerszámgépet, ha fáradt, vagy ha kábítószert, alkohol vagy gyógyszer hatása alatt áll.** Szerszámgépek használata során egyetlen figyelmen kívül hagyott pillanat súlyos személyi sérülést okozhat.
- **Használjon személyi védőfelszerelést. Mindig viseljen védőszemüveget.** A megfelelő körülményekhez használt védőfelszerelések, például a pormaszk, a csúszásmentes biztonsági lábbeli, a védősisak vagy a zajvédelem használata csökkenti a személyi sérülés veszélyét.
- **Akadályozza meg a véletlen beindítást. Az áramforráshoz és/vagy az akkumulátorhoz való csatlakoztatás, illetve a szerszám felvétele vagy hordozása előtt győződjön meg arról, hogy a kapcsoló „ki” állásban van.** A szerszámgép hordozása úgy, hogy az ujjja a kapcsolón van, illetve a „be” állásba kapcsolt szerszámgépek áram alá helyezése balesetveszélyes.
- **A szerszámgép bekapcsolása előtt távolítsa el az esetlegesen használt beállítókulcsot vagy csavarkulcsot.** A szerszámgép forgó részén hagyott csavarkulcs vagy kulcs személyi sérülést okozhat.
- **Ne nyúljon túl messzire a szerszámgéppel. Mindig ügyeljen arra, hogy stabilan és kiegyensúlyozottan álljon.** Ez lehetővé teszi a szerszámgép hatékonyabb irányítását váratlan helyzetben.
- **Megfelelő öltözéket viseljen. Ne viseljen túl laza ruházatot vagy ékszert. Tartsa távol a haját és a ruházatát a mozgó alkatrészekről.** A lógó ruházat, ékszer vagy hosszú haj beakadhat a mozgó alkatrészekbe.
- **Ha por gyűjtésére szolgáló berendezések csatlakoztathatók, ügyeljen ezek megfelelő csatlakoztatására és használatára.** A porgyűjtés csökkentheti a porhoz kapcsolódó veszélyeket.
- **Ne hagyja, hogy a szerszámgépek gyakori használata során szerzett tapasztalatok birtokában felelőtlenebbé váljon, és figyelmen kívül hagyja a szerszám biztonságával kapcsolatos alapelveket.** Egyetlen óvatlan művelet súlyos sérülést okozhat a másodperc töredéke alatt.
- **Az elektromos szerszámgépet a szigetelt markolófelületen fogja meg amikor olyan munkát végez, ahol a rögzítőelem hozzáérhet a gép saját tápkábeléhez vagy bármilyen más – nem látható – vezetékhez.** Az áram alatti vezetékekkel érintkezés rögzítőelem miatt a szerszámgép fém alkatrészei is áram alá kerülhetnek, és megrázzhatják a kezelőt.

A szerszám gép használata és karbantartása

- **Ne erőltesse a szerszám gépet. Az alkalmazási helyzetnek megfelelő szerszám gépet használja.** A megfelelő szerszám gép jobban elvégzi a kívánt feladatot, és biztonságosabb azon a terhelésen, amelyre tervezték.
- **Ne használja a szerszám gépet, ha a kapcsoló nem kapcsolja be vagy ki.** A kapcsolóval nem vezérelhető szerszám gépek veszélyesek és javításra szorulnak.
- **Bármilyen jellegű módosítás, tartozékcsere vagy tárolás előtt húzza ki a csatlakozót az áramforrásból és/vagy távolítsa el az akkumulátort (ha kivehető) a szerszám gépből.** Az ilyen jellegű óvintézkedések csökkentik a szerszám gép véletlen bekapcsolásának veszélyét.
- **Ügyeljen arra, hogy gyermekek ne férhessenek hozzá a nem használt szerszám gépekhez, és ne hagyja, hogy a szerszám gépet vagy az itt leírt instrukciókat nem ismerő személyek használják a szerszám gépet.** A szerszám gépek a gyakorlatlan felhasználók kezében veszélyesek.
- **Tartsa karban a szerszám gépeket és a tartozékokat.** A szerszám gép használata előtt győződjön meg arról, hogy a mozgó alkatrészek nincsenek elállítva és nem szorulnak, nincsenek törött alkatrészek, illetve nem áll fenn semmilyen más olyan körülmény, amely hatással lehet a szerszám gép működésére. Ha a szerszám gép megsérült, használat előtt javíttassa meg. A nem megfelelően karbantartott szerszám gépek sok balesetet okoznak.
- **Tartsa élesen és tisztán a vágószerszámokat.** A megfelelően karbantartott, éles vágószerszámok kevésbé hajlamosak a beragadásra, és könnyebben kezelhetők.
- **A szerszám gépet, a tartozékokat és a szerszám fejeket stb. a jelen útmutatásnak megfelelően használja, és vegye figyelembe a munkakörülményeket és az elvégzendő munka jellegét.** A szerszám gép nem rendeltetészerű használata veszélyes helyzeteket idézhet elő.
- **A markolatokat és a fogófelületeket tartsa szárazon, tisztán, olajtól és zsírtól mentesen.** A csúszós markolat és fogófelület megakadályozza a szerszám biztonságos kezelését és irányítását váratlan helyzetekben.

Akkumulátoros szerszámok használata és karbantartása

- **Csak a gyártó által előírt töltőt használjon a feltöltéshez.** Ha egy adott típusú akkumulátorhoz megfelelő töltőt más típusú akkumulátorhoz használ, az tűzveszélyes lehet.
- **A szerszám gépeket kizárólag a kimondottan hozzájuk tartozó akkumulátorokkal használja.** Bármilyen más akkumulátor használata sérülésveszélyt és tüzet okozhat.
- **Amikor az akkumulátor nincs használatban, tartsa távol más fémtárgyaktól (pl. gemkapocs, pénzérme, kulcs, szög, csavar vagy más kisméretű fémtárgyak), amelyek csatlakozást teremthetnek az érintkezők között.** Az akkumulátor érintkezőjének rövidre zárása kisülést vagy tüzet okozhat.
- **Az előírásoktól eltérő körülmények között az akkumulátorból folyadék szivároghat; ehhez ne érjen hozzá. Ha véletlenül hozzáér, öblítse le vízzel. Ha a**

folyadék szembe jut, azonnal forduljon orvoshoz. Az akkumulátorból távozó folyadék irritációt vagy égést okozhat.

- **Ne használjon sérült vagy módosított akkumulátort vagy szerszámot.** A sérült vagy módosított akkumulátorok kiszámíthatatlanul működhetnek, ami tüzet, robbanást vagy sérülésveszélyt okozhat.
- **Ne tegye ki az akkumulátort vagy szerszámot tűznek vagy túl magas hőmérsékletnek.** A tűzbehatás, illetve a 130 °C feletti hőmérséklet robbanást okozhat.
- **Hiánytalanul kövesse a töltéshez előírt útmutatást, és ne töltsen az akkumulátort vagy a szerszámot az útmutatásban foglalt tartományon kívüli hőmérséklet mellett.** A nem megfelelő, illetve a megadott tartományon kívül hőmérsékleten való töltés károsíthatja az akkumulátort, és fokozhatja a tűzveszélyt.

Szervizelés

- **A szerszám gépet szakképzett szervizszakemberrel javíttassa meg, kizárólag azonos cserealkatrészek használatával.** Ezzel biztosítható a szerszám gép biztonságának fenntartása.
- **Soha ne próbálja megjavítani a sérült akkumulátorokat.** Az akkumulátorok javítását csak a gyártó vagy hivatalos szerviz végezheti.

Jelek és matricák

A gép jelölésekkel és matricákkal van ellátva, melyek fontos információkat tartalmaznak a személyi biztonságra és a termék karbantartására vonatkozóan. A jelölések és matricák mindig jól olvashatók legyenek. Új jelek és matricák a tartalék alkatrészek listájáról rendelhetők.



s011050

Hasznos információk

Weboldal

A termékekre, a tartozékokra és a cserealkatrészekre, valamint a kiadványainkra vonatkozó információk a(z) Desoutter weboldalán találhatóak.

Látogasson el a következő címre: www.desouttertools.com.

Beépítési útmutatóra vonatkozó információ

Részletes használati útmutatás, üzembehelyezési és fejlesztési kézikönyvek: <https://www.desouttertools.com/resource-centre>.

Információ a pótalkatrészekről

A perspektivikus bontott részabrázolásokat és a pótalkatrészek listáját ezen a linken találja www.desouttertools.com.

Safety Information

Származási ország

France

Biztonsági adatlapok MSDS/SDS

A Desoutter által értékesített kémiai termékeket a biztonsági adatlapok írják le.

További információért lásd a Desoutter webhelyét: <https://www.desouttertools.com/legal/sds>.

Copyright

© Szerzői jog 2022, Ets Georges Renault, 38 rue Bobby Sands, 44818 Saint Herblain, France

Minden jog fenntartva. A tartalom vagy annak bármely részének jogosulatlan használata vagy másolása tilos. Ez különösképpen vonatkozik a védjegyekre, a modellek megnevezéseire, az alkatrészszámokra és a rajzokra. Kizárólag engedélyezett alkatrészeket használjon. A nem engedélyezett alkatrészek használatából eredő bármilyen meghibásodásra vagy károsodásra a Jótállás és Termékfelelősség feltételei nem vonatkoznak.

Tehnični podatki

Tehnični podatki

Napetost (V)

36 V 

Izhodni pogon

Model	Vrsta
EABA26-560-QRX	Hitri izhod
EABA32-410-QRX	Hitri izhod
EABA45-330-QRX	Hitri izhod
EABA50-450-QRX	Hitri izhod
EABA60-370-QRX	Hitri izhod
EABA75-300-QRX	Hitri izhod
EABA95-240-QRX	Hitri izhod

Obseg vrtilnega momenta (Nm)

Model	Min. / Nominalni / Maks.
EABA26-560-QRX	5 / 24 / 26
EABA32-410-QRX	7 / 30 / 32
EABA45-330-QRX	9 / 40 / 45
EABA50-450-QRX	9 / 45 / 50
EABA60-370-QRX	10 / 55 / 60
EABA75-300-QRX	12 / 70 / 75
EABA95-240-QRX	19 / 90 / 95

Obseg vrtilnega momenta (ft.lb)


Model	Min. / Nominalni / Maks.
EABA26-560-QRX	1,12 / 5,40 / 5,85
EABA32-410-QRX	1,57 / 6,74 / 7,19
EABA45-330-QRX	2,02 / 8,99 / 10,12
EABA50-450-QRX	2,02 / 10,12 / 11,24
EABA60-370-QRX	2,25 / 12,36 / 13,49
EABA75-300-QRX	2,70 / 15,74 / 16,86
EABA95-240-QRX	4,27 / 20,23 / 21,36

Nazivna hitrost (obr./min.)

Model	
EABA26-560-QRX	560
EABA32-410-QRX	410
EABA45-330-QRX	330
EABA50-450-QRX	450
EABA60-370-QRX	370
EABA75-300-QRX	300
EABA95-240-QRX	240

Teža

Model	(kg)	(funtov)
EABA26-560-QRX	2,04	4,50
EABA32-410-QRX	2,04	4,50
EABA45-330-QRX	2,21	4,87
EABA50-450-QRX	2,49	5,49
EABA60-370-QRX	2,82	6,22
EABA75-300-QRX	3,42	7,54
EABA95-240-QRX	3,46	7,63

 V podani teži ni zajeta baterija.

Pogoji hrambe in uporabe

Temperatura med hrambo	-20 do +70 °C (-4 do +158 F)
Delovna temperatura	0 do 45 °C (32 do 113 F)
Vlaga med hrambo	0-95 % RH (brez kondenzacije)
Vlaga med delovanjem	0-90 % RH (brez kondenzacije)
Nadmorska višina do	2.000 m (6.562 čevljev)
Uporabno v okolju s stopnjo onesnaženja 2	
Samo za notranjo uporabo	

Specifikacije za brezžično komunikacijo

RFID 13,56 MHz

Frekvenca	13,553 MHz - 13,567 MHz
-----------	-------------------------

H-Field	< 42 dB μ A/m at 10 m according to ETSI EN 300 330 v2.1.1
---------	---------------------------------------------------------------

Izjave

Odgovornost

Številni dogodki v delovnem okolju lahko vplivajo na postopek privijanja in potrebujejo potrditev rezultatov. V skladu z veljavnimi standardi in/ali pravili na tem mestu zahtevamo, da preverite nastavljeni moment in smer vrtenja po vsakem dogodku, ki lahko vpliva na rezultat privijanja.

Primeri takih dogodkov vključujejo med ostalim tudi:

- začetna namestitvev orodnega sistema
- sprememba šarže dela, sornika, šarže vijaka, orodja, programske opreme, konfiguracije ali okolja
- sprememba zračnih ali električnih povezav
- sprememba ergonomije linije, procesa, kakovostnih postopkov ali praks
- zamenjava operaterja
- vsaka druga sprememba, ki vpliva na rezultat procesa privijanja

Preverjanje mora:

- Zagotoviti, da se pogoji za sklepe niso spremenili zaradi vplivnih dogodkov.
- Biti izvedeno po začetni namestitvi, vzdrževanju ali popravilu opreme.
- Se pojaviti vsaj enkrat na zamik ali drugo primerno frekvenco.

EU IZJAVA O SKLADNOSTI

V družbi **Ets Georges Renault**, 38 rue Bobby Sands, 44818 Saint Herblain, France, na izključno lastno odgovornost izjavljamo, da je izdelek (z imenom, tipom in serijsko številko z naslovnice) skladen z naslednjimi direktivami:

2006/42/EC, 2011/65/EC, 2014/53/EU

Uporabljeni usklajeni standardi:

EN 62841-2-2:2015+AC1:2015 EN 61000-6-2:2005 EN 61000-6-3:2007+A1:2011 EN 55014-3:2006 EN 55014-2:200

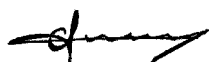
Pristojni organ lahko zaprosi za pridobitev potrebnih tehničnih podatkov pri:

Pascal ROUSSY, R&D Manager, 38 rue Bobby Sands, 44818 Saint Herblain, France

Saint Herblain, 13. 09. 2021

Pascal ROUSSY, R&D Manager

Podpis izdajatelja



Deklaracija o hrupu in vibracijah

- Raven jakosti zvoka < 70 dB(A), negotovost 3 dB(A), v skladu z EN 62841-2-2 : 2014.
- Skupna vrednost vibracij < 2.5 m/s², negotovost 3 m/s², v skladu z EN 62841-2-2 : 2014.

Deklarirane vrednosti so bile pridobljene med preskusom v laboratoriju v skladu z omenjenimi standardi in so primerne za primerjavo z vrednostmi drugih orodij, ki so bila testirana v skladu z istimi standardi. Raven emisij pri vibracijah se lahko uporabi za predhodno oceno izpostavljenosti. Deklarirane vrednosti niso primerne za uporabo pri ocenjevanju tveganja. Izmerjene vrednosti v posameznih delovnih okoljih se lahko razlikujejo. Dejanske ravni izpostavljenosti in tveganja za posameznega uporabnika so edinstvene in odvisne od načina dela uporabnika, od obdelovanca in delovne površine ter od časa izpostavljenosti in fizičnega stanja uporabnika.

Družba **Ets Georges Renault** ne more odgovarjati za posledice uporabe navedenih vrednosti namesto vrednosti, ki odražajo dejansko izpostavljenost pri individualni oceni tveganja na delovnem mestu, nad katerim ta družba nima nobenega nadzora.

Neustrezen način uporabe orodja lahko vodi v prenos vibracij na sistem dlan-roka (sindrom vibracij v dlaneh in rokah). EU navodila za zmanjšanja prenosa vibracij na sistem dlan-roka lahko najdete na <http://www.pneurop.eu/index.php>, kjer izberete »Tools« (orodja) in nato »Legislation« (zakonodaja).

Priporočamo program zdravstvenega nadzora za zgodnje odkrivanje simptomov, povezanih z izpostavljenostjo vibracijam, da se lahko z ustreznimi organizacijskimi ukrepi preprečijo nadaljnje poškodbe.

- ⓘ Če je oprema namenjena za pritrditvev na stroj: Emisija hrupa je podana kot vodilo proizvajalcu stroja. Podatki o emisiji hrupa in vibracij za celoten stroj morajo biti navedeni v priročniku z navodili za uporabo stroja.

OEE0

Informacije o **odpadni električni in elektronski opremi** (WEEE oz. OEE0):

Ta izdelek in njegove informacije ustrezajo zahtevam direktive oz. regulativ WEEE oz. OEE0 (2012/19/EU), tako da je treba z njima ravnati skladno s to direktivo oz. regulativami.

Izdelek je označen z naslednjim simbolom:



Izdelki, označeni s simbolom prečrtanega smetnjaka, podčrtanega z enojno črno črto, vsebujejo dele, s katerimi je potrebno rokovati v skladu z direktivo oz. regulativami WEEE (OEE0). Celoten izdelek ali dele WEEE (OEE0) lahko pošljete v obdelavo svojemu "centru za stranke".

Informacije o 33. členu v sistemu REACH

Evropska uredba (EU) št. 1907/2006 o registraciji, evalvaciji, avtorizaciji in omejevanju kemikalij (REACH) med drugim določa zahteve glede obveščanja znotraj dobavne verige. Zahteve po obveščanju veljajo tudi za izdelke, ki vsebujejo t.i. snovi, ki zbujajo veliko skrb («seznam kandidatov»). 27. 06. 2018 je bil na seznam kandidatov dodan svinec (CAS nr 7439-92-1).

Skladno z zgoraj navedenim vas obveščamo, da lahko določene električne in mehanske komponente izdelka vsebujejo svinec. To je v skladu s trenutno zakonodajo o omejevanju snovi in na osnovi zakonitih izjem v direktivi RoHS (2011/65/EU). Svinec med običajno uporabo ne bo iztekal ali mutiral iz izdelka, koncentracija svinca v celotnem izdelku pa je bistveno nižja od veljavne mejne vrednosti. Prosimo, pri odstranjevanju svinca ob koncu življenjske dobe izdelka upoštevajte lokalne zahteve.

lokalne zahteve

⚠ OPOZORILO

Ta izdelek vas lahko izpostavi kanikalijam, vključno s svincem, ki po vedenju države Kalifornije povzroča raka in okvare ob rojstvu oz. druge reproduktivne težave. Za več informacij obiščite

<https://www.p65warnings.ca.gov/>

Varnost

NE ZAVRZITE – POSREDUJTE UPORABNIKU

⚠ OPOZORILO Vedno je treba upoštevati vsa varnostna pravila za namestitev, uporabo in vzdrževanje, ki so skladna z lokalno zakonodajo.

Izjava o uporabi

- Samo za profesionalno uporabo.
- Tega izdelka in njegovih dodatkov ni dovoljeno spreminjati na noben način.
- Če je izdelek poškodovan, ga ne uporabljajte.
- Če postanejo oznake s podatki o izdelku ali opozorila na nevarnosti, ki so na izdelku, neberljivi ali odpadejo, jih morate takoj zamenjati.
- Izdelek lahko nameščajo, upravljajo in servisirajo samo osebe, usposobljene za tako delo v industrijskem okolju.

Nameravana uporaba

Ta izdelek je namenjen za namestitev in odstranitev navojnih pritrdilnih elementov v lesu, kovini ali plastiki. Drugačna uporaba ni dovoljena. Samo za profesionalno uporabo.

Uporabljajte le naslednje baterije Desoutter.

- Baterija 18 V 2,5 Ah, številka dela 6158132660
- Baterija 36 V 2,5 Ah, številka dela 6158132670

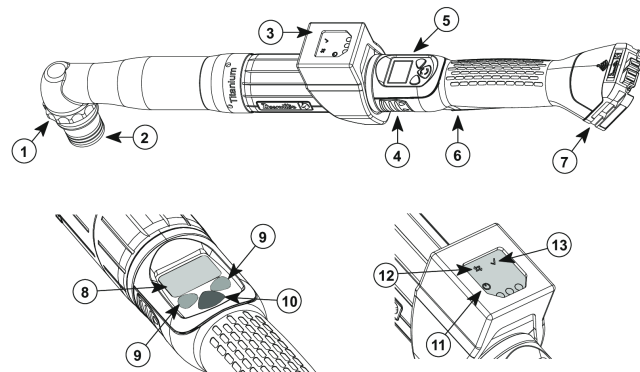
Baterije je dovoljeno polniti **samo** s polnilnikom baterij Desoutter (6158132700).

Za popolna navodila pogledjte v varnostna navodila polnilnika

baterij (6159925310) in navodila za izdelek, ki so v več jezikih na voljo na <https://www.desouttertools.com/resource-centre>

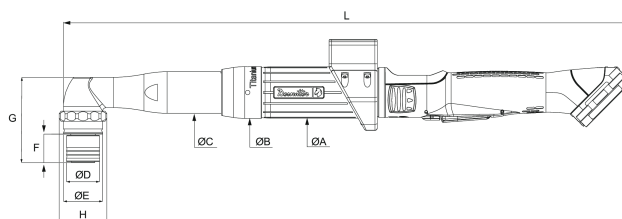
Navodila, specifična za izdelek

Opis izdelka



- 1 Vmesnik za namestitev za krak Crowfoot
- 2 Izhod s hitro sprostitevijo
- 3 Čitalec dodatkov QR
- 4 Lučke LED za poročanje
- 5 Prikazovalnik in gumbi
- 6 Sprožilec
- 7 Odtis baterije
- 8 Prikazovalnik
- 9 Gumbi za programiranje
- 10 Gumb za vzvratno rotacijo
- 11 Indikator, da je dodatek vključen.
- 12 Poteka branje oz. pisanje
- 13 Dodeljeni Pset je pripravljen.

Dimenzije (mm)



Model	L	ØA	ØB
EABA26-560-QRX	496	46	46
EABA32-410-QRX	496	46	46
EABA45-330-QRX	506	46	46
EABA50-450-QRX	546	46	46
EABA60-370-QRX	559	46	58
EABA75-300-QRX	582	46	58
EABA95-240-QRX	582	46	58

Model	ØC	D	E
EABA26-560-QRX	37	25	28

EABA32-410-QRX	37	25	28
EABA45-330-QRX	37	30	35
EABA50-450-QRX	37	30	35
EABA60-370-QRX	41	33	40
EABA75-300-QRX	49	34	43
EABA95-240-QRX	49	34	43

Model	F	G	H
EABA26-560-QRX	22	68	35
EABA32-410-QRX	22	68	35
EABA45-330-QRX	25	76	44
EABA50-450-QRX	25	76	44
EABA60-370-QRX	27	85	49
EABA75-300-QRX	28	88	52
EABA95-240-QRX	28	88	52

Splošna varnost pri namestitvi

Namestitev naj izvaja samo usposobljeno osebeje.

Orodje obesite na varen kraj, na primer z uporabo balanserja. Kadar uporabljate obešalni jarem, preverite, ali je v dobrem stanju in ali je pravilno pritrjen.

Za orodja s kablji Sistem vedno priključite na ozemljeno vtičnico. Pred priklapljanjem ali odklapljanjem kabla orodja morate vedno poskrbeti, da bo omrežni vtič odklopljen in da bo krmilnik izklopljen.

Splošna varnost pri delovanju

- Zaradi nevarnosti zapletanja ne nosite rokavic.
- **Bodite pripravljeni na reakcijsko silo, do katere pride pri uporabi tega orodja.** Držalo orodja zmeraj varno podložite v nasprotni smeri vrtenja vretena, da bi zmanjšali učinek nenadnih navornih reakcij pri končnem privijanju in pri začetnem rahljanju.
- **Nikoli ne primite za pogon, pušo ali podaljšek pogona.**
- **Upravljalci morajo biti fizično sposobni upravljati tovor, težo in moč orodja.**
- Če je mogoče, uporabite suspenzijsko roko za absorpcijo reakcijskega navora. Če to ni mogoče, se priporoča stranske ročaje za orodja z ravnim ohišjem in orodja s pištolnim ročajem; za kotne vijačnike za matice se priporočajo reakcijske prečke. Priporočena je uporaba sredstev za absorpcijo reakcijskega navora, ki presega 4 Nm (3 lbf.ft) za orodja z ravnim ohišjem, nad 10 nM (7,5 lbf.ft) za orodja s pištolnim ročajem in nad 60 Nm (44 lbf.ft) za kotne vijačnike za matice.
- **Zaradi preveč ali premalo privitih spojnih elementov lahko pride do hudih poškodb.** Sklopi, pri katerih je potreben poseben zatezni moment, je treba preverjati z merilnikom zateznega momenta. Tako imenovani momentni ključki na "klik" ne preverjajo morebitno nevarnih okoliščin previsokega navora. Preveč ali premalo priviti spojni elementi se lahko odlomijo, se odvijajo ali se ločijo. Sproščene sklope lahko izstrelijo ven.

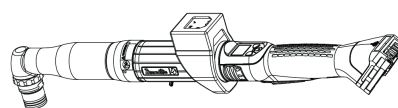
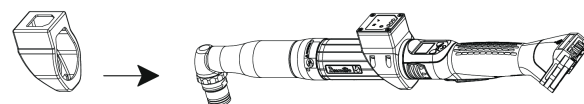
- **Uporabljajte le električne ali udarne nastavke v dobrem delovnem stanju.** Ne uporabljajte ročnih puš.
- **Pri uporabi električnega orodja lahko uporabnik začuti neudobje v rokah, zgornjih udih, ramenih, vratu ali drugih delih telesa.** Med delovnikom spreminjajte položaj svojega telesa, ves čas stojte na varni površini in izogibajte se neobičajnim položajem, ko bi bilo vaše telo izven ravnotežja.
- **Ponavljajoči se gibi, nerodni položaji in izpostavljenost vibracijam lahko poškodujejo roke in noge.** V primeru, da pride do otrplosti, ščemenja, bolečin ali beljenja kože, prenehajte uporabljati to orodje in se posvetujte z zdravnikom.
- **Med uporabo v zaprtih prostorih bodite še posebej previdni.** Pazite, da se vam roka ne uklešči med orodjem in obdelovancem.
- **Visoka stopnja hrupa lahko povzroči trajno izgubo sluha.** Uporabljajte zaščito za ušesa, kot jo priporoča delodajalec ali predpisi o poklicnem zdravju in varnosti.
- **Poskrbite, da bo obdelovanec dobro pritrjen.**
- **V neznanih okoliščinah bodite izjemno previdni.** Zavedajte se mogočih nevarnosti, ki jih lahko ustvarite s svojimi delovnimi aktivnostmi. To orodje ni izolirano pred stikom z viri električnega toka.

Orodje, uporabljeno skupaj z reakcijsko ročico: Med delovanjem orodja z roko nikoli ne posegajte v bližino reakcijskega droga. Pred zagonom orodja preverite smer vrtenja vretena, ker lahko reakcijska sila deluje v nepričakovani smeri pri tem pa pride do tveganja poškodb z zdrobitvijo.

Za orodja s sklopko: Takoj zatem, ko ste prilagodili sklopko, preverite, ali stroj deluje pravilno.

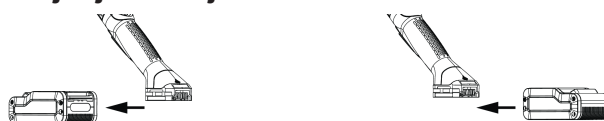
Kako namestiti pokrov na čitalnik

- ❗ Priporočamo, da namestite priloženi pokrov za zaščito čitalnika pred udarci in poškodbami.



Pokrov povlecite na orodje. Močneje ga potisnite čez čitalnik.

Vstavljanje baterije



Vstavite baterijo pred ali za orodjem, dokler jasno ne slišite zvoka zaklepa.

Stikala VKLOP/IZKLOP ni: orodje je pripravljeno na delovanje, takoj ko je nameščena baterija.

Safety Information

Ko je orodje vključeno, lučke LED orodja utripajo.

OPOMBA Priporočena uporaba baterij

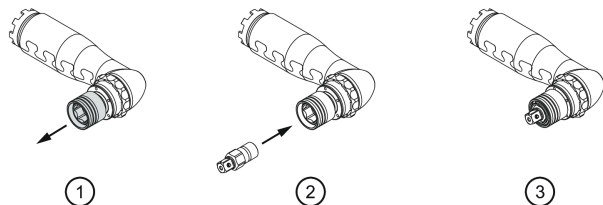
Poskrbite za daljšo življenjsko dobo baterij.

- ▶ Odstranite baterijo, kadar orodja ne uporabljate.

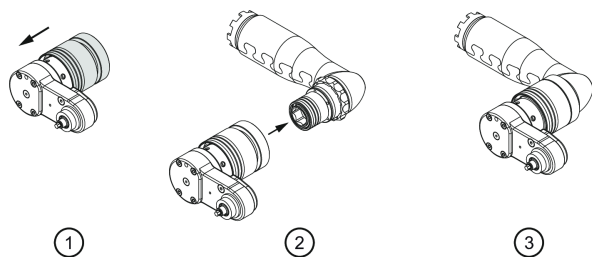
Baterije ne puščajte v polnilniku, kadar polnilnik nima vira napajanja.

Kako priključiti dodatke

Vtičnica



Crowfoot



Dodatek priključite v izhod s hitro sprostivijo, kot je prikazano, in mu dodelite Pset.

Zagon orodja

Na orodje namestite ustrezní nastavek.

Izberite ustrezní Pset.

Orodje držite za ročaj in ga prislonite na del, ki ga želite priviti.

⚠ OPOZORILO Nevarnost poškodb

Reakcijska sila narašča sorazmerno z navorom vijačenja, zato lahko v primeru nepričakovanega obnašanja orodja pride do resnih telesnih poškodb operaterja.

- ▶ Prepričajte se, da je orodje v brezhibnem stanju in da je sistem ustrezno programiran.

Pritisnite na sprožilec, da zaženete orodje.

Kako spremeniti rotacijo



- | | |
|---|------------------------------------|
| 1 | Zaženite gumb za vzvratno rotacijo |
|---|------------------------------------|

Pritisnite ta gumb.

Rdeča in zelena lučka LED svetita izmenično.

Prislonite orodje na del, ki ga želite priviti oz. odviti, in pritisnite na sprožilec.

Splošna varnost pri servisiranju in vzdrževanju

Krmilnik naj bo med servisiranjem vedno izključen, da tako preprečite nehoteni zagon.

Servisiranje naj izvaja samo usposobljeno osebje.

Navodila za čiščenje

Dele čistite z vlažno krpo. Uporabljajte samo vodo, ne uporabljajte čistil, ki vsebujejo topila.

Po nasvete za čiščenje po trenutnih priporočilih in za vaše določeno orodje se obrnite na svojega servisnega tehnika družbe Desoutter.

Splošna opozorila glede varnosti pri električnem orodju

⚠ **OPOZORILO** Preberite in preglejte vse varnostne napotke, navodila, ilustracije in specifikacije, priložene temu električnemu orodju.

Neupoštevanje vseh navedenih navodil lahko povzroči udar električnega toka, požar in / ali resne poškodbe.

Vsa navodila in opozorila shranite za kasnejšo uporabo.

Izraz »električno orodje« v opozorilih velja za električna orodja, ki se napajajo iz električnega omrežja (kabel) in električna orodja, ki delujejo na baterije (brez kablov).

Varnost delovnega območja

- **Delovno območje mora biti čisto in dobro osvetljeno.** Neurejena ali mračna območja vabijo nezgode.
- **Električnega orodja ne uporabljajte v vnetljivih okoljih, na primer v prisotnosti vnetljivih tekočin, plinov ali prahu.** Električno orodje povzročajo iskrenje, ki lahko vname prah ali hlape.
- **Med upravljanjem z električnim orodjem v bližini ne sme biti otrok ali opazovalcev.** Vsakršna motnja lahko povzroči, da izgubite nadzor nad orodjem.

Električna varnost

- **Vtiči električnega orodja se morajo ujemati z vtičnicami. Vtičev nikoli in na noben način ne spreminjajte. Z ozemljenim električnim orodjem ne uporabljajte vmesnikov na vtičih.** Nespremenjeni vtiči in ujema-joče se vtičnice zmanjšajo tveganje električnega udara.
- **Izogibajte se telesnemu stiku z ozemljenimi površinami, kot so cevi, radiatorji, štedilniki in hladilniki.** Če je vaše telo ozemljeno, obstaja večje tveganje električnega udara.
- **Električnega orodja ne izpostavljajte dežju ali mokrim razmeram.** Voda, ki vstopi v električno orodje, poveča tveganje električnega udara.
- **S kablom ne ravnajte malomarno. Kabla nikoli ne uporabljajte za prenašanje ali vlečenje električnega orodja in vtiča nikoli ne izvlecite iz vtičnice tako, da povlečete za kabel. Kabla ne izpostavljajte vročini,**

olju, ostrim robovom ali premikajočim se delom.

Poškodovani ali prepleteni kabli povečajo tveganje električnega udara.

- **Kadar z električnimi orodji rokujete na prostem, uporabite podaljšek, primeren za zunanjo uporabo.** Uporaba kablov, primernih za zunanjo uporabo, zmanjša tveganje električnega udara.
- **Če je uporaba električnega orodja v vlažnem okolju neizogibna, uporabite vir napajanja z zaščitno napravo na diferenčni tok (RCD).** Uporaba zaščitne naprave na diferenčni tok (RCD) zmanjša tveganje električnega udara.

Osebna varnost

- **Ostanite pozorni in osredotočeni na svoje delo in pri uporabi električnega orodja uporabite zdravo pamet.** Električnega orodja ne uporabljajte, ko ste utrujeni ali pod vplivom mamil, alkohola ali zdravil. Trenutek nepozornosti med delom z električnim orodjem lahko povzroči resne telesne poškodbe.
- **Uporaba osebne varovalne opreme. Vedno nosite zaščito za oči.** Varovalna oprema, kot so maske proti prahu, varovalni čevlji, ki ne drsijo, čelada ali varovala pred previsokim hrupom, uporabljena v ustreznih pogojih, zmanjšajo pojavnost telesnih poškodb.
- **Preprečite nehoteni vklop orodja. Prepričajte se, da je stikalo izključeno, preden orodje povežete z virom napajanja oz. baterijo, kadar ga dvignete ali prenašate.** Prenasjanje električnega orodja s prsti na stikalo oz. vklop napajanja na vključenem električnem orodju vabi nezgode.
- **Odstranite vse ključke za nastavljanje ali vijačnike, preden vključite orodje.** Vijačnik ali ključ, ki bi ostal pritrjen na vrtljiv del električnega orodja, lahko povzroči telesne poškodbe.
- **Ne segajte predaleč. Ves čas stojte na zanesljivi in ravni podlagi.** To omogoča boljši nadzor električnega orodja v nepredvidenih položajih.
- **Ustrezno se oblecite. Ne nosite ohlapnih oblačil ali nakita. Pazite, da se lasje ali oblačila ne ujamejo v premikajoče se dele.** Ohlapna oblačila, nakit ali dolgi lasje se lahko ujamejo v premikajoče se dele.
- **Če so naprave namenjene povezavi sesalnika in zbiralnika prahu, se prepričajte, da so ti elementi pravilno povezani in ustrezno uporabljani.** Uporaba zbiralnika prahu lahko zmanjša tveganja, povezana s prahom.
- **Ne dovolite, da vas poznavanje orodja, ki ga uporabljate pogosto, naredi samozadovoljne in odvrne od upoštevanja načel varne uporabe orodja.** Malomarno delanje lahko v delčku sekunde povzroči resne poškodbe.
- **Pri izvajanju del, kjer del za privijanje lahko pride v stik s skrito električno napeljavo ali lastnim kablom, morate električno orodje držati za izolirane prijemne površine.** Del za privijanje, ki vsebuje »živo« žico, lahko električno napaja izpostavljene kovinske dele električnega orodja in lahko povzroči električni udar operaterja.

Uporaba in nega električnega orodja

- **Pri delu z električnim orodjem ne uporabljajte prekomerne sile. Uporabljajte ustrezno električno orodje za vaše potrebe.** Z ustreznim električnim orodjem boste delo, ki mu je namenjeno, opravili bolje in varneje.
- **Električnega orodja ne uporabljajte, če se ob premiku stikala ne vključi oz. ne izključi.** Vsako električno orodje, ki ga ni moč nadzirati preko stikala, je nevarno in potrebno popravila.
- **Pred vsakim prilagajanjem, spreminjanjem nastavkov ali shranjevanjem električnega orodja izvalcite vtič iz vira napajanja in/ali akumulatorsko baterijo iz električnega orodja, če je to možno.** Takšni preventivni varnostni ukrepi zmanjšujejo tveganje nehotenega zagona električnega orodja.
- **Neuporabljen električno orodje shranjujte izven dosega otrok in osebam, ki ne poznajo električnega orodja ali teh navodil, ne dovolite uporabe električnega orodja.** Električno orodje je nevarno v rokah neusposobljenih uporabnikov.
- **Vzdrževanje električnega orodja in dodatkov. Preverite, ali so premikajoči se deli ustrezno poravnani, ali so zlomljeni ali okvarjeni oz. v drugem stanju, ki bi lahko vplivalo na delovanje električnega orodja. Če je električno orodje poškodovano, ga mora usposobljen serviser popraviti, preden ga uporabite.** Mnogo nezgod se zgodi zaradi neustrezno vzdrževanega električnega orodja.
- **Orodje za rezanje naj bo naostreno in čisto.** Pri ustrezno vzdrževanem orodju za rezanje z naostrenimi robovi je manj verjetno, da se bo zvilo in lažje ga je nadzirati.
- **Električno orodje, dodatke in nastavke uporabljajte v skladu s temi navodili, pri delu pa upoštevajte delovne pogoje in naloge, ki jih morate opraviti.** Uporaba električnega orodja za operacije, ki jim ni namenjeno, lahko povzroči nevarne situacije.
- **Ročaji in oprijemne površine morajo biti suhi, čisti ter brez sledi olja in maziv.** Spolzki ročaji in oprijemne površine ne omogočajo varnega rokovanja in nadzora orodja v nepredvidenih situacijah.

Uporaba in nega baterijskega orodja

- **Baterije polnite samo s polnilnikom, ki ga določi proizvajalec.** Polnilnik, primeren za en tip baterij, lahko predstavlja tveganje za nastanek požara, če ga uporabite z baterijo drugega tipa.
- **Električno orodje uporabljajte samo s posebej za to namenjenimi baterijami.** Uporaba drugih baterij lahko povzroči telesne poškodbe ali požar.
- **Ko baterije ne uporabljate, jo hranite stran od drugih kovinskih predmetov, kot so sponke za papir, kovanci, ključki, žebli, vijaki ali drugi majhni kovinski predmeti, saj lahko v tem primeru med predmeti pride do električnega stika.** Stikanje priključkov baterije lahko povzroči opekline ali požar.
- **V primeru neustrezne uporabe lahko iz baterije brizga tekočina; izogibajte se stika s tekočino. V primeru, da pride do stika, tekočino izperite z vodo.**

Safety Information

Če tekočina zaide v oči, poiščite zdravniško pomoč. Tekočina, ki brizgne iz baterije, lahko povzroči draženje ali opekline.

- **Poškodovanih ali spremenjenih baterij in orodja ne uporabljajte.** Poškodovane ali spremenjene baterije se lahko nepredvidljivo obnašajo, kar lahko povzroči požar, eksplozijo ali nevarnost poškodb.
- **Baterije ali orodja ne izpostavljajte ognju ali previsoki temperaturi.** Izpostavljenost ognju ali temperaturi, višji od 130 °C, lahko povzroči eksplozijo.
- **Upoštevajte vsa navodila za polnjenje in baterij ter orodij ne polnite zunaj temperaturnega razpona, določenega v navodilih.** Nepravilno polnjenje oz. polnjenje zunaj določenega temperaturnega območja lahko poškoduje baterijo in poveča nevarnost nastanka požara.

Servis

- **Električno orodje mora servisira usposobljeno servisno osebje, pri čemer mora uporabiti iste nadomestne dele.** To bo ohranilo varnost električnega orodja.
- **Poškodovanih baterij nikoli ne popravljajte.** Popravilo baterij sme izvajati le proizvajalec ali pooblaščen servisier.

Znaki in etikete

Izdelek je opremljen z znaki in nalepkami, ki vsebujejo pomembne informacije o osebni varnosti in o vzdrževanju izdelka. Nalepke in znaki morajo biti vedno dobro berljivi. Nove znake in nalepke lahko naročite s pomočjo seznama rezervnih delov.



s011050

Koristne informacije

Spletno mesto

Informacije o naših izdelkih, dodatni opremi, nadomestnih delih in objavljenih publikacijah lahko najdete na spletni strani Desoutter.

Prosimo, obiščite: www.desouttertools.com.

Podatki o priročnikih za namestitev

Podrobni priročniki za uporabo, namestitev in nadgradnjo so na voljo na <https://www.desouttertools.com/resource-centre>.

Podatki o nadomestnih delih

Slike z razstavljenim pogledom in seznama nadomestnih delov so na voljo na povezavi do storitev na naslovu www.desouttertools.com.

Država izvora

France

Varnostni listi MSDS/SDS

Varnostni listi opisujejo kemične izdelke, ki jih prodaja družba Desoutter.

Prosimo, za več informacij pogledajte na spletno stran družbe Desoutter <https://www.desouttertools.com/legal/sds>.

Avtorske pravice

© Avtorske pravice 2022, Ets Georges Renault, 38 rue Bobby Sands, 44818 Saint Herblain, France

Vse pravice pridržane. Vsaka nepooblaščen uporaba ali razmnoževanje vsebine ali delov vsebine je prepovedano. To še posebej velja za blagovne znamke, označbe modelov, številke delov in slike. Uporabite samo pooblaščen dele. Garancija ali jamstvo za izdelek ne krije nobenih poškodb ali nepravilnega delovanja, ki ga povzroči uporaba nepooblaščenih delov.

Date tehnice

Date tehnice

Tensiune (V)

36 V

Angrenaj iešire

Model	Tip
EABA26-560-QRX	Iešire Eliberare rapidă
EABA32-410-QRX	Iešire Eliberare rapidă
EABA45-330-QRX	Iešire Eliberare rapidă
EABA50-450-QRX	Iešire Eliberare rapidă
EABA60-370-QRX	Iešire Eliberare rapidă
EABA75-300-QRX	Iešire Eliberare rapidă
EABA95-240-QRX	Iešire Eliberare rapidă

Gama de cuplu (Nm)

Model	Min. / Nominal / Max.
EABA26-560-QRX	5 / 24 / 26
EABA32-410-QRX	7 / 30 / 32
EABA45-330-QRX	9 / 40 / 45
EABA50-450-QRX	9 / 45 / 50
EABA60-370-QRX	10 / 55 / 60
EABA75-300-QRX	12 / 70 / 75
EABA95-240-QRX	19 / 90 / 95

Gama de cuplu (ft.lb)

Model	Min. / Nominal / Max.
EABA26-560-QRX	1,12 / 5,40 / 5,85
EABA32-410-QRX	1,57 / 6,74 / 7,19
EABA45-330-QRX	2,02 / 8,99 / 10,12
EABA50-450-QRX	2,02 / 10,12 / 11,24

Model	Min. / Nominal / Max.
EABA60-370-QRX	2,25 / 12,36 / 13,49
EABA75-300-QRX	2,70 / 15,74 / 16,86
EABA95-240-QRX	4,27 / 20,23 / 21,36

Turația nominală (rpm)

Model	
EABA26-560-QRX	560
EABA32-410-QRX	410
EABA45-330-QRX	330
EABA50-450-QRX	450
EABA60-370-QRX	370
EABA75-300-QRX	300
EABA95-240-QRX	240

Greutatea

Model	(kg)	(lb)
EABA26-560-QRX	2,04	4,50
EABA32-410-QRX	2,04	4,50
EABA45-330-QRX	2,21	4,87
EABA50-450-QRX	2,49	5,49
EABA60-370-QRX	2,82	6,22
EABA75-300-QRX	3,42	7,54
EABA95-240-QRX	3,46	7,63

 Greutatea este specificată fără acumulator.

Condițiile de depozitare și utilizare

Temperatura de depozitare	De la -20 la +70 °C (de la -4 la +158 F)
Temperatura de funcționare	De la 0 la 45 °C (de la 32 la 113 F)
Umiditatea la depozitare	0-95 % RH (fără condensare)
Umiditatea la funcționare	0-90 % RH (fără condensare)
Altitudine de până la	2000 m (6562 picioare)
Utilizabil într-un mediu cu gradul 2 de poluare	
Doar pentru utilizare la interior	

Specificații privind comunicarea wireless

RFID 13,56 MHz

Frecvență	13,553 MHz - 13,567 MHz
H-Field	< 42 dBμA/m at 10 m according to ETSI EN 300 330 v2.1.1

Declarații

Răspundere

Numeroase întâmplări din mediul de operare pot afecta procesul de strângere și necesită validarea rezultatelor. În conformitate cu standardele și/sau reglementările în vigoare, vă solicităm prin prezenta să verificați cuplul de instalare și sensul de rotație ulterior unui eventual eveniment care poate influența rezultatul procesului de strângere. Printre exemplele de asemenea evenimente se numără, fără limitare:

- instalarea inițială a sistemului de scule
- modificarea lotului pieselor, a bolțurilor, a lotului șuruburilor, a uneltei, software-ului, configurației sau mediului
- modificarea cuplajelor pneumatice sau electrice
- modificarea ergonomiei gamei, a procesului, a procedurilor și practicilor de calitate
- schimbarea operatorului
- orice altă modificare care influențează rezultatul procesului de strângere

Verificarea trebuie:

- Să asigure păstrarea condițiilor îmbinării, care se pot modifica în urma evenimentelor produse.
- Să fie efectuată ulterior primei instalări, operații de întreținere sau reparație a echipamentului.
- Să se producă cel puțin o dată pe schimb sau cu altă frecvență convenabilă.

DECLARAȚIE DE CONFORMITATE PENTRU UE

Noi, **Ets Georges Renault**, 38 rue Bobby Sands, 44818 Saint Herblain, France, declarăm pe propria răspundere că produsul (cu denumirea, tipul și numărul de serie - vezi prima pagină) este conform cu următoarea Directivă / următoarele Directive:

2006/42/CE, 2011/65/CE, 2014/53/UE

Standarde armonizate aplicate:

EN 62841-2-2:2015+AC1:2015 EN 61000-6-2:2005 EN 61000-6-3:2007+A1:2011 EN 55014-3:2006 EN 55014-2:200

Autoritățile pot solicita informații tehnice corespunzătoare de la:

Pascal ROUSSY, R&D Manager, 38 rue Bobby Sands, 44818 Saint Herblain, France

Saint Herblain, 2021/09/13

Pascal ROUSSY, R&D Manager

Semnătura emitentului



Declarație cu privire la nivelul de zgomot și de vibrații

- Nivelul de putere acustică < 70 dB(A), incertitudine 3 dB(A), în conformitate cu EN 62841-2-2 : 2014.
- Valoarea totală a vibrațiilor < 2.5 m/s², incertitudine 3 m/s², în conformitate cu EN 62841-2-2 : 2014.

Aceste valori declarate au fost obținute prin teste de laborator, în conformitate cu standardele menționate și pot fi comparate cu valorile declarate ale altor unelte testate în conformitate cu aceleași standarde. Nivelul emisiilor de vibrații poate fi utilizat pentru evaluarea preliminară a expunerii. Nu se recomandă utilizarea acestor valori declarate în evaluările de risc, iar valorile măsurate în locurile de muncă individuale pot fi mai ridicate. Valorile reale de expunere și riscurile de vătămare experimentate de către un utilizator individual anume sunt unice și depind de modul în care utilizatorul execută lucrările, de piesa de lucru și de modelul stației de lucru, precum și de durata timpului de expunere și de starea fizică a utilizatorului.

Noi, **Ets Georges Renault**, nu putem fi considerați răspunzători de consecințele utilizării valorilor nominale în locul celor ce reflectă expunerea reală, într-o evaluare individuală a riscurilor unei situații aferente unui post de lucru asupra cărora nu avem control.

Această unealtă poate produce sindromul de vibrație mână-braț dacă nu este utilizată în mod adecvat. Ghidul UE privind gestionarea vibrațiilor mână-braț poate fi găsit prin accesarea <http://www.pneurop.eu/index.php> și selectarea opțiunii „Tools” (Unelte), apoi „Legislation” (Legislație).

Vă recomandăm un program de monitorizare a sănătății pentru a detecta simptomele timpurii care pot apărea ca urmare a expunerii la zgomot și vibrații, astfel încât procedurile de management să poată fi modificate pentru a ajuta la prevenirea agravării situației.

- ⓘ Dacă acest echipament este destinat aplicațiilor fixe:
Emisia de zgomot este precizată ca un ghid pentru constructorul de mașini. Datele pentru emisia de zgomot și vibrații pentru întreaga mașină trebuie prezentate în manualul de instrucțiuni al mașinii.

DEEE

Informații referitoare la **deșeurile de echipamente electrice și electronice (DEEE)**:

Acest produs și informațiile sale îndeplinesc cerințele directivei/regulamentelor privind DEEE (2012/19/EU) și trebuie tratate în conformitate cu acestea.

Acest produs este marcat cu următorul simbol:



Produsele marcate cu simbolul unui tomberon pe roți barat și o singură linie neagră dedesubt conțin piese care trebuie gestionate conform cu directiva/regulamentele privind DEEE. Produsul integral sau componentele DEEE pot fi trimise la departamentul pentru relații cu clienții în vederea gestionării.

Informații referitoare la Articolul 33 din REACH

Regulamentul European (UE) Nr. 1907/2006 privind Înregistrarea, Evaluarea, Autorizarea și restricționarea Substanțelor chimice (REACH) definește, printre altele, cerințele privind comunicarea din lanțul de aprovizionare. Cerința privind informarea se aplică și la produsele care conțin așa numitele Substanțe care prezintă motive de îngrijorare deosebită („Listă a substanțelor identificate în vederea unei eventuale includeri în procedura de autorizare”). Pe 27 iunie 2018 plumbul metal (CAS nr 7439-92-1) a fost adăugat la Lista substanțelor identificate în vederea unei eventuale includeri în procedura de autorizare.

Urmare a celor de mai sus, prin prezenta vă informăm că anumite componente electrice și mecanice din acest produs pot conține plumb metal. Aceasta este în conformitate cu legislația curentă privind restricția substanțelor și în baza excepțiilor legitime din Directiva RoHS (2011/65/UE). Plumbul metal nu se va scurge sau va suferi mutații din produs în timpul utilizării normale, concentrația de plumb metal din produsul finit este mult sub limitele prevăzute. Să aveți în vedere cerințele locale privind eliminarea plumbului la încheierea duratei de exploatare a produsului.

Cerințe regionale

⚠ AVERTISMENT

Acest produs vă poate expune la substanțe chimice, inclusiv plumb, care este cunoscut Statului California ca fiind cauzator de cancer și de defecte la naștere sau de alte efecte nocive asupra funcției de reproducere. Pentru mai multe informații, accesați

<https://www.p65warnings.ca.gov/>

Siguranța

A NU SE ARUNCA - A SE PREDA UTILIZATORULUI

⚠ AVERTISMENT Trebuie respectate permanent toate reglementările de siguranță din legislația locală privind instalarea, utilizarea și întreținerea.

Declarație privind utilizarea

- Exclusiv pentru utilizarea profesională.
- Acest produs și accesoriile sale nu trebuie modificate în niciun fel.
- Nu utilizați acest produs dacă este deteriorată.
- În cazul în care datele produsului sau etichetele de avertizare la pericole de pe acesta devin ilizibile sau se detașează, înlocuiți-le imediat.
- Produsul trebuie instalat, utilizat și întreținut exclusiv de către personalul calificat, într-un mediu industrial.

Destinația de utilizare

Acest produs este destinat instalării și demontării pieselor de asamblare filetate din lemn, metal sau plastic. Nu este permisă nicio altă utilizare. Exclusiv pentru uz profesional.

A se folosi exclusiv următoarele pachete acumulator Desoutter.

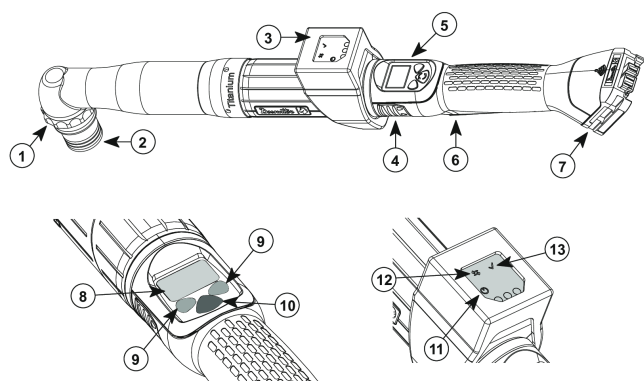
- Pachet acumulator 18 V 2,5 Ah, număr de piesă 6158132660
- Pachet acumulator 36 V 2,5 Ah, număr de piesă 6158132670

Pachetele acumulator trebuie încărcate folosind **exclusiv** încărcătorul pentru pachete acumulator Desoutter (6158132700).

Pentru instrucțiunile complete, consultați Instrucțiuni privind siguranța (6159925310) ale încărcătorului pentru pachete acumulator și Instrucțiunile produsului care sunt disponibile în mai multe limbi la <https://www.desouttertools.com/resource-centre>

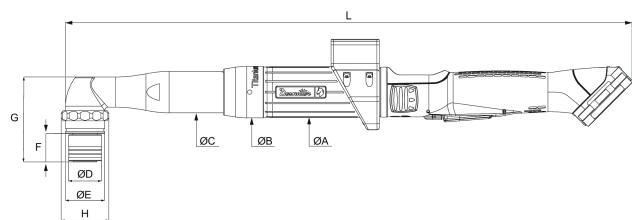
Instrucțiuni specifice produsului

Descrierea produsului



- | | |
|----|---------------------------------------------------|
| 1 | Adaptor de montare pentru Crowfoot |
| 2 | Ieșire cu eliberare rapidă |
| 3 | Accesoriu cititor QR |
| 4 | LED-uri de raportare |
| 5 | Afișaj și butoane |
| 6 | Declanșator |
| 7 | Amprenta acumulatorului |
| 8 | Afișaj |
| 9 | Butoane de programare |
| 10 | Buton pentru invers |
| 11 | Indicator care confirmă alimentarea accesoriului. |
| 12 | Citire/scriere în desfășurare |
| 13 | Pset atribuit este pregătit. |

Dimensiuni (mm)



Model	L	ØA	ØB
EABA26-560-QRX	496	46	46

EABA32-410-QRX	496	46	46
EABA45-330-QRX	506	46	46
EABA50-450-QRX	546	46	46
EABA60-370-QRX	559	46	58
EABA75-300-QRX	582	46	58
EABA95-240-QRX	582	46	58

Model	ØC	D	E
EABA26-560-QRX	37	25	28
EABA32-410-QRX	37	25	28
EABA45-330-QRX	37	30	35
EABA50-450-QRX	37	30	35
EABA60-370-QRX	41	33	40
EABA75-300-QRX	49	34	43
EABA95-240-QRX	49	34	43

Model	F	G	H
EABA26-560-QRX	22	68	35
EABA32-410-QRX	22	68	35
EABA45-330-QRX	25	76	44
EABA50-450-QRX	25	76	44
EABA60-370-QRX	27	85	49
EABA75-300-QRX	28	88	52
EABA95-240-QRX	28	88	52

Siguranța generală a procedurii de instalare

Procedura de instalare trebuie efectuată numai de personal calificat.

Suspendați în siguranță unealta, de exemplu pe un balansier. Când folosiți un etrier pentru suspensie, verificați dacă se prezintă într-o stare bună și este bine fixat.

Pentru scule cu cablu: Cuplați întotdeauna sistemul la o priză cu împământare. Anterior cuplării sau decuplării cablului sculei, verificați întotdeauna dacă este decuplat cablul de alimentare electrică și dacă este dezactivat controlerul.

Siguranța operațională generală

- Datorită riscului de lărgire, nu purtați mănuși.
- **Pregătiți-vă pentru efectul forței de reacție în timpul folosirii uneltei.** Întotdeauna apucați strâns mânerul uneltei, în sens opus față de sensul de rotație a axului acesteia, pentru a reduce efectul reacției bruște a cuplului în timpul strângerii finale și desfacerii inițiale.
- **Nu apucați niciodată axul, adaptorul sau prelungitorul de acționare.**
- **Operatorii și personalul de întreținere trebuie să fie apți din punct de vedere fizic să controleze volumul, greutatea și forța uneltei.**
- **Dacă este posibil, folosiți un braț de suspensie pentru a absorbi cuplul de reacție. Dacă acest lucru nu este posibil, se recomandă folosirea mânerelor laterale pentru uneltele drepte și pentru cele cu prindere tip pistol; pentru cheile unghiulare se recomandă barele**

Safety Information

de reacție. Se recomandă utilizarea de mijloace de absorbție a cuplului peste 4 Nm (3 lbf.ft) pentru unelte drepte, peste 10 Nm (7,5 lbf.ft) pentru cele cu prindere tip pistol și peste 60 Nm (44 lbf.ft) pentru cheile unghiulare.

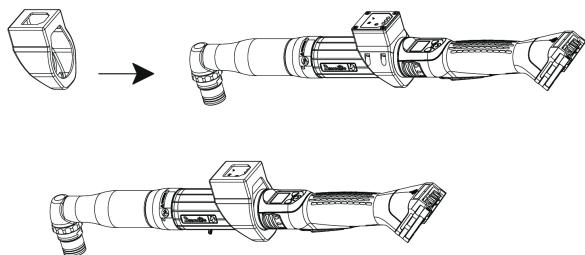
- **Se pot produce răni grave de la dispozitivele de strângere cu valori de cuplu prea mici sau prea mari.** Ansamblurile care necesită un anumit cuplu trebuie verificate cu ajutorul unui torsiometru. Așa-numitele chei dinamometrice cu „clichet” nu verifică dacă înșurubarea este excesivă, ceea ce poate fi periculos. Dispozitivele de strângere cu valori de cuplu prea mici sau prea mari se pot sparge, slăbi sau desprinde. Ansamblurile eliberate pot deveni proiectile.
- **Folosiți doar chei electrice sau chei de impact, în stare bună.** Nu folosiți chei pentru acționare manuală.
- **Când utilizează o unealtă electrică, operatorul poate resimți disconfort la nivelul mâinilor, brațelor, umerilor, gâtului sau altor zone ale corpului.** Schimbați postura în timpul zilei de lucru, mențineți o stabilitate adecvată și evitați posturile dezechilibrate ciudate.
- **Mișcările de lucru repetitive, pozițiile incomode și expunerea la vibrații pot fi nocive pentru mâini și brațe.** Dacă remarcați amorțeală, furnicăături, durere sau albirea pielii încetați utilizarea unelei și consultați un medic.
- **Procedați cu atenție când lucrați în spații limitate.** Procedați cu atenție pentru a nu vă zdrobi mâinile între unealta electrică și piesa de prelucrat.
- **Zgomotele puternice pot duce la pierderea permanentă a auzului.** Folosiți mijloace de protecție pentru auz așa cum este recomandat de către angajator sau în regulamentele de siguranță și sănătate ocupațională.
- **Piesa de prelucrat trebuie fixată ferm.**
- **Procedați cu atenție în medii insuficient cunoscute.** Conștientizați riscurile asociate activității desfășurate. Această unealtă nu este izolată în cazul contactului cu surse electrice.

Uneltele folosite împreună cu o bară de reacție: Niciodată nu puneți mâna pe, sau în apropierea barei de reacție în timpul utilizării aparatului. Înainte de a porni unealta, stabiliți sensul de rotație al axului, deoarece forța de reacție poate acționa într-un sens neașteptat, existând riscul de vătămare prin strivire.

Pentru uneltele cu cuplaj: Imediat după reglarea cuplajului, verificați dacă unealta funcționează corect.

Cum se montează capacul pe cititor

- ❗ Se recomandă insistent să montați capacul din pachet pentru a proteja cititorul de șocuri și deteriorare.



Glisați capacul pe unealtă.
Împingeți-l forțat peste cititor.

Introducerea pachetului acumulator



Introduceți pachetul acumulator în fața sau în spatele unelei până când se aude clar un clic.

Nu există comutator PORNIT/OPRIT: unealta este pregătită de utilizare imediat ce se montează pachetul acumulator.

Când unealta este alimentată, LED-urile unelei clipesc.

OBSERVAȚIE Recomandări de utilizare pentru pachetele acumulator

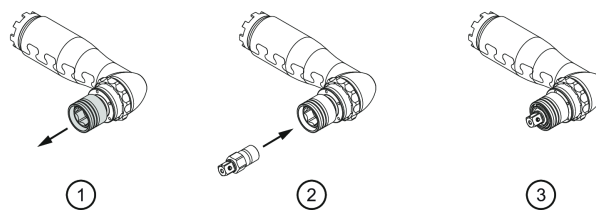
Asigurați o durată mai mare de funcționare a pachetului acumulator.

- Deconectați pachetul acumulator când unealta nu este folosită.

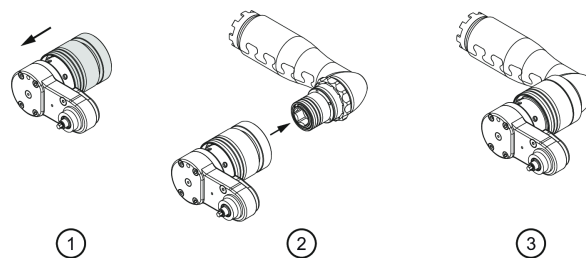
Nu lăsați pachetul acumulator în încărcător când alimentarea cu curent a încărcătorului este oprită.

Cum se conectează accesoriile

Mufa



Crowfoot



Conectați un accesoriu la ieșirea cu eliberare rapidă ca în imagine și atribuiți un Pset la acesta.

Pornirea unelei

Montați pe unealtă un adaptor adecvat.

Selectați Pset adecvat.

Țineți unealta de mâner și aplicați pe dispozitivul de fixare care urmează să fie strâns.

⚠️ AVERTISMENT Pericol de vătămare

Deoarece forța de reacție crește proporțional cu cuplul de strângere, există riscul vătămării corporale grave a operatorului ca urmare a comportamentului neașteptat al unelei.

- ▶ Asigurați-vă că unealta este în stare perfectă de funcționare și sistemul este programat corect.

Apăsați declanșatorul pentru a porni unealta.

Cum să inversați rotația



1 Apăsați butonul invers

Apăsați acest buton.

LED-urile roșu și verde clipesc alternativ.

Puneți unealta pe dispozitivul de fixare și apăsați declanșatorul.

Siguranța generală la service și întreținere

Țineți întotdeauna controlerul oprit în timpul service-ului pentru a evita pornirea neașteptată.

Reparațiile trebuie efectuate numai de personal calificat.

Instrucțiuni privind curățarea

Curățați piesele cu o lavetă umedă. Folosiți doar apă, nu folosiți niciun agent de curățare care conține solvenți.

Contactați tehnicianul de service Desoutter pentru sfaturi privind curățarea care respectă recomandările în vigoare și sunt specifice unelei dvs.

Avertismente generale privind siguranța uneltelor electrice

⚠️ AVERTISMENT Citiți toate avertismentele privind siguranța, instrucțiunile, imaginile și specificațiile furnizate împreună cu această unealtă electrică.

Nerespectarea tuturor instrucțiunilor de mai jos poate conduce la electrocutare, incendiu și/sau vătămări corporale grave.

Păstrați toate avertismentele și instrucțiunile pentru consultarea ulterioară.

Termenul „unealtă electrică” din avertismente se referă la unealta electrică alimentată de la rețea (cu cablu) sau la unealta electrică alimentată de la acumulator (fără cablu).

Siguranța spațiului de lucru

- **Păstrați spațiul de lucru curat și bine iluminat.** Spațiile aglomerate sau întunecate facilitează apariția accidentelor.

- **Nu utilizați uneltele electrice în atmosfere explozive, cum ar fi în prezența lichidelor, gazelor sau prafului inflamabil.** Uneltele electrice creează scântei care pot aprinde praful sau fumul.
- **Țineți copiii și persoanele prezente la distanță în timpul exploatării unei unele electrice.** Distragerea atenției vă poate face să pierdeți controlul.

Siguranța electrică

- **Tipul de ștecher al unelei electrice să fie adecvat cu tipul de priză. Nu modificați niciodată în niciun fel ștecherul. Nu folosiți niciun adaptor de priză cu uneltele electrice cu împământare (legare la masă).** Ștecherile nemodificate și prizele corespunzătoare vor reduce riscul de electrocutare.
- **Evitați contactul corpului cu suprafețele cu legare la masă sau împământare, cum ar fi conducte, radiatoare, lațuri și frigidere.** Există un risc crescut de electrocutare dacă corpul dvs. este conectat la masă sau la împământare.
- **Nu expuneți uneltele electrice la ploaie sau condiții de umiditate.** Apa care se infiltră într-o unealtă electrică va crește riscul de electrocutare.
- **Nu forțați cablul. Nu utilizați niciodată cablul pentru a transporta, trage sau scoate din priză unealta electrică. Țineți cablul la distanță de căldură, ulei, muchii ascuțite sau piese în mișcare.** Cablurile deteriorate sau încălcite cresc riscul de electrocutare.
- **La utilizarea în aer liber a unei unele electrice, folosiți un prelungitor adecvat pentru utilizarea în aer liber.** Folosirea unui cablu adecvat utilizării în aer liber reduce riscul de electrocutare.
- **Dacă utilizarea unei unele electrice într-un loc plin de umezeală nu poate fi evitată, folosiți o sursă de alimentare cu dispozitiv de protecție la curentul reziduală (RCD).** Utilizarea unui RCD reduce riscul de electrocutare.

Siguranța personală

- **Fiiți atenți, urmăriți ceea ce faceți și folosiți-vă de bunul simț atunci când utilizați o unealtă electrică. Nu folosiți o unealtă electrică dacă sunteți obosiți sau sub influența drogurilor, alcoolului sau medicamentelor.** Un moment de lipsă de atenție în timpul utilizării uneltelor electrice poate avea consecință vătămarea corporală gravă.
- **Folosiți echipament de protecție personală. Purtați permanent ochelari de protecție.** Echipamentul de protecție, cum ar fi măștile de praf, încălțăminte de protecție anti-derapantă, casca de protecție sau protecția auditivă folosite în condiții adecvate va reduce apariția incidentelor de vătămare corporală.
- **Împiedicați pornirea accidentală. Comutatorul să fie în poziția oprit înainte de conectarea la sursa de curent și/sau pachetul acumulator, ridicarea sau transportarea unelei.** Transportarea uneltelor electrice cu degetul pe comutator sau alimentarea cu curent a uneltelor electrice care au comutator predispune la accidente.

- **Îndepărtați toate uneltele de reglare sau cheile înainte de a porni unealta electrică.** O cheie sau unelaltă de reglare lăsată atașată de o piesă care se rotește a unelei electrice poate produce vătămare corporală.
- **Nu vă întindeți. Păstrați-vă permanent echilibrul și sprijinul adecvat în picioare.** Astfel veți avea un control sport asupra unelei electrice în situațiile neașteptate.
- **Îmbrăcați-vă corespunzător. Nu purtați haine largi sau bijuterii. Țineți-vă părul și hainele la distanță de piesele în mișcare.** Hainele largi, bijuteriile sau părul lung se pot prinde în piesele în mișcare.
- **Dacă sunt puse la dispoziție dispozitive pentru conectarea extracției prafului și instalații de colectare, asigurați-vă că acestea sunt conectate și utilizate corespunzător.** Folosirea colectării prafului poate reduce pericolele legate de praf.
- **Nu lăsați ca familiarizarea obținută ca urmare a utilizării frecvente a uneltelor să deveniți nepăsători și să ignorați principiile privind utilizarea în siguranță a uneltelor.** O exploatare neglijentă poate produce vătămări corporale grave într-o fracțiune de secundă.
- **Atunci când executați operațiuni în care dispozitivul de fixare ar putea intra în contact cu cabluri ascunse sau cu propriul cablu de alimentare, apucați unealta electrică exclusiv de suprafețele izolate.** Dispozitivele de fixare care intră în contact cu un cablu aflat „sub tensiune” pot pune părțile metalice ale unelei „sub tensiune” și pot provoca electrocutarea operatorului.

Utilizarea și îngrijirea uneltelor electrice

- **Nu forțați unealta electrică. Folosiți unealta electrică corectă pentru aplicația dvs.** Unealta electrică corectă va executa sarcina mai bine și mai sigur cu randamentul cu care a fost concepută.
- **Nu utilizați unealta electrică dacă comutatorul nu pornește și oprește unealta.** Orice unelaltă electrică care nu poate fi controlată de la comutator este periculoasă și trebuie reparată.
- **Deconectați ștecherul din sursa de curent și/sau pachetul acumulator, dacă este detașabil, de la unealta electrică înainte de a realiza orice reglaj, schimbarea accesoriilor sau depozitarea uneltelor electrice.** Astfel de măsuri preventive de protecție reduc riscul de pornire accidentală a unelei electrice.
- **Nu depozitați uneltele electrice inactive la îndemâna copiilor și nu lăsați persoanele care nu sunt familiarizate cu unealta electrică sau cu aceste instrucțiuni să utilizeze unealta electrică.** Uneltele electrice sunt periculoase în mâinile utilizatorilor neinstruiți.
- **Întreținerea uneltelor electrice și a accesoriilor. Verificați nealinierea sau lipirea pieselor în mișcare, defectarea pieselor și orice altă condiție care poate afecta exploatarea unelei electrice. Dacă este deteriorată, duceți unealta electrică să fie reparată înainte de a o folosi.** Multe accidente sunt provocate de uneltele electrice care nu sunt întreținute corespunzător.
- **Păstrați uneltele de tăiere ascuțite și curate.** Uneltele de tăiere întreținute corespunzător cu muchii ascuțite de tăiere sunt mai puțin probabil să se lipească și sunt mai ușor de controlat.

- **Folosiți unealta electrică, accesoriile și burghiile etc. în conformitate cu aceste instrucțiuni, ținând cont de condițiile de lucru și activitatea desfășurată.** Utilizarea unelei electrice pentru operații diferite de cele dedicate ar putea rezulta într-o situație periculoasă.
- **Păstrați mânerul și suprafețele de prindere uscate, curate și fără urme de ulei și grăsime.** Mânerul și suprafețele de prindere alunecoase nu permit manipulara și controlul în siguranță al unelei în situații neașteptate.

Utilizarea și îngrijirea uneltelor cu acumulator

- **Reîncărcați exclusiv cu încărcătorul specificat de producător.** Un încărcător care este adecvat pentru un tip de pachet acumulator poate crea un risc de incendiu când este folosit cu un alt pachet acumulator.
- **Folosiți uneltele electrice doar cu pachete acumulator dedicate special.** Utilizarea oricăror alte pachete acumulator poate crea un risc de vătămare și incendiu.
- **Atunci când pachetul acumulator nu este folosit, țineți-l departe de orice obiect metalic, cum ar fi cleme de hârtie, fise, chei, cuie, șuruburi sau alte obiecte metalice mici care pot face o conexiune între terminale.** Scurt-circuitul la terminalele acumulatorului poate produce arsuri sau un incendiu.
- **În situații de abuz, acumulatorul poate elimina lichid; evitați contactul. Dacă apare contactul, spălați cu apă. Dacă lichidul intră în contact cu ochii, apelați imediat la un medic.** Lichidul eliminat din acumulator poate produce iritații sau arsuri.
- **Nu folosiți un pachet acumulator sau aparat care este deteriorat sau modificat.** Acumulatorii deteriorați sau modificați pot avea un comportament imprevizibil care să rezulte în incendiu, explozie sau risc de vătămare.
- **Nu expuneți un pachet acumulator sau unelaltă la foc sau temperatură excesivă.** Expunerea la foc sau la temperaturi de peste 130 °C poate produce o explozie.
- **Respectați toate instrucțiunile privind încărcarea și nu încărcați pachetul acumulator sau unealta în afara intervalului de temperatură menționat în instrucțiuni.** Încărcarea incorectă sau la temperaturi în afara gamei specificate poate deteriora acumulatorul și crește riscul de incendiu.

Service-ul

- **Service-ul la unealta electrică va fi realizat de o persoană calificată pentru reparații folosind doar piese de schimb identice.** Aceasta va asigura păstrarea nivelului de siguranță al unelei electrice.
- **Nu realizați niciodată operațiuni de service asupra pachetelor acumulator deteriorate.** Operațiunile de service asupra pachetelor acumulator sunt efectuate doar de către producător sau furnizorii autorizați de service.

Indicatoare și autocolante

Produsul este prevăzut cu marcaje și autocolante ce conțin informații importante despre siguranța personală și întreținerea produsului. Marcajele și autocolantele trebuie să fie ușor lizibile permanent. Marcaje și autocolante noi pot fi comandate de pe lista de piese de schimb.



s011050

Informații utile

Site web

Informațiile referitoare la Produsele, Accesoriiile, Piesele de schimb și Publicațiile noastre se găsesc pe site-ul web Desoutter.

Vă rugăm să vizitați: www.desouttertools.com.

Informații privind manualele de instalare

Instrucțiunile detaliate de utilizare, instalare și manualele de upgrade sunt disponibile la <https://www.desouttertools.com/resource-centre>.

Informații privind piesele de schimb

Imagini descompuse și liste de piese de schimb sunt disponibile în Service Link la www.desouttertools.com.

Țara de origine

France

Fișe tehnice de securitate MSDS/SDS

Fișele tehnice de securitate descriu produsele chimice vândute de Desoutter.

Pentru mai multe informații, consultați site-ul web Desoutter <https://www.desouttertools.com/legal/sds>.

Drepturi de autor

© Copyright 2022, Ets Georges Renault, 38 rue Bobby Sands, 44818 Saint Herblain, France

Toate drepturile rezervate. Este interzisă utilizarea sau copierea integrală sau parțială a conținutului. Acest lucru este valabil pentru mărcile comerciale, denumirile modelelor, numerele componentelor și schițe. A se utiliza exclusiv piese autorizate. Eventualele deteriorări sau defecțiuni cauzate prin utilizarea de piese neautorizate nu este acoperită de garanție nici de certificatul de conformitate.

Teknik Veriler

Teknik veriler

Voltaj (V)

36 V

Çıkış tahriki

Model	Tip
EABA26-560-QRX	Hızlı Bırakma Çıkışı

Model	Tip
EABA32-410-QRX	Hızlı Bırakma Çıkışı
EABA45-330-QRX	Hızlı Bırakma Çıkışı
EABA50-450-QRX	Hızlı Bırakma Çıkışı
EABA60-370-QRX	Hızlı Bırakma Çıkışı
EABA75-300-QRX	Hızlı Bırakma Çıkışı
EABA95-240-QRX	Hızlı Bırakma Çıkışı

Tork aralığı (Nm)

Model	Min. / Nominal / Maks.
EABA26-560-QRX	5 / 24 / 26
EABA32-410-QRX	7 / 30 / 32
EABA45-330-QRX	9 / 40 / 45
EABA50-450-QRX	9 / 45 / 50
EABA60-370-QRX	10 / 55 / 60
EABA75-300-QRX	12 / 70 / 75
EABA95-240-QRX	19 / 90 / 95

Tork aralığı (ft.lb)

Model	Min. / Nominal / Maks.
EABA26-560-QRX	1,12 / 5,40 / 5,85
EABA32-410-QRX	1,57 / 6,74 / 7,19
EABA45-330-QRX	2,02 / 8,99 / 10,12
EABA50-450-QRX	2,02 / 10,12 / 11,24
EABA60-370-QRX	2,25 / 12,36 / 13,49
EABA75-300-QRX	2,70 / 15,74 / 16,86
EABA95-240-QRX	4,27 / 20,23 / 21,36

Anma hızı (dev/dk)

Model	
EABA26-560-QRX	560
EABA32-410-QRX	410
EABA45-330-QRX	330
EABA50-450-QRX	450
EABA60-370-QRX	370
EABA75-300-QRX	300
EABA95-240-QRX	240

Ağırlık

Model	(kg)	(lb)
EABA26-560-QRX	2,04	4,50
EABA32-410-QRX	2,04	4,50
EABA45-330-QRX	2,21	4,87
EABA50-450-QRX	2,49	5,49
EABA60-370-QRX	2,82	6,22
EABA75-300-QRX	3,42	7,54
EABA95-240-QRX	3,46	7,63

Safety Information

ⓘ Pil paketi olmadan belirtilmiş ağırlıktır

Saklama ve kullanım koşulları

Saklama sıcaklığı	-20 ~ +70 °C (-4 ~ +158 F)
Çalıştırma sıcaklığı	0 ~ 45 °C (32 ~ 113 F)
Saklama nemi	%0-95 bağıl nem (yoğuşmasız)
Çalıştırma nemi	%0-90 bağıl nem (yoğuşmasız)
Azami rakım	2000 m (6562 feet)
Kirlilik derecesi 2 olan ortamda kullanılabilir	
Sadece kapalı mekanda kullanım için	

Kablosuz iletişim özellikleri

RFID 13,56 MHz

Frekans	13,553 MHz - 13,567 MHz
H-Field	< 42 dBµA/m at 10 m according to ETSI EN 300 330 v2.1.1

Beyanlar

Yükümlülük

Çalışma ortamındaki birçok olay sıkma işlemini etkileyebilir ve neticelerin doğrulanmasını gerektirir. Uygun standartlarla ve/veya düzenlemelerle uyumlu olarak, sıkma sonucunu etkileyebilecek her türlü olay sonrasında kurulu torku ve dönüş yönünü kontrol etmenizi istiyoruz. Bu tür olaylara ait örnekler, bunlarla sınırlı olmamak kaydıyla şöyledir:

- işleme sisteminin ilk kurulumu
- parça partisinin, civatanın, vida partisinin, aletin, yazılımın, yapılandırmanın veya ortamın değişimi
- hava veya elektrik bağlantılarının değişimi
- hat ergonomisi, prosesi, kalite prosedürleri veya uygulamalarında değişim
- operatörün değiştirilmesi
- sıkma işleminin neticesini etkileyen diğer değişimler

Kontrol:

- Etkileyebilecek olaylara bağlı olarak bağlantı koşullarının değişmemiş olduğunu teyit etmelidir.
- Ekipmanının ilk kurulumu, bakımı veya onarımı sonrasında yapılmalıdır.
- Vardiya başına en az bir defa veya başka bir uygun sıklıkta gerçekleştirilmelidir.

AB UYGUNLUK BEYANI

Bizler, **Ets Georges Renault**, 38 rue Bobby Sands, 44818 Saint Herblain, France olarak, kendi münhasır sorumluluğumuz altında ürünün (adı, tipi ve seri numarası ile ön sayfaya

bakınız) aşağıdaki Direktif(ler) ile uyumlu olduğunu beyan ederiz:

2006/42/EC, 2011/65/EC, 2014/53/EU

Geçerli dengelenmiş standartlar:

EN 62841-2-2:2015+AC1:2015 EN 61000-6-2:2005 EN 61000-6-3:2007+A1:2011 EN 55014-3:2006 EN 55014-2:200

Yetkili makamlar ilgili teknik bilgileri şuradan isteyebilir:
Pascal ROUSSY, R&D Manager, 38 rue Bobby Sands,
44818 Saint Herblain, France

Saint-Herblain, 2021/09/13

Pascal ROUSSY, R&D Manager

Hazırlayanın imzası

Gürültü ve Titreşim Açıklaması

- Ses gücü seviyesi < 70 dB(A) , belirsizlik 3 dB(A), EN 62841-2-2 : 2014 standardına göre.
- Titreşim toplam değeri < 2.5 m/s², belirsizlik 3 m/s², EN 62841-2-2 : 2014 standardına göre.

Beyan edilen bu değerler, belirtilen standartlara göre yapılan laboratuvar tipi testlerle elde edilmiştir ve aynı standartlara göre test edilen diğer aletlerin beyan edilen değerlerini karşılaştırmak için uygundur. Titreşim emisyon seviyesi bir ilk maruziyet değerlendirmesi için kullanılabilir. Beyan edilen bu değerler, risk değerlendirmelerinde kullanmak için yeterli değildir ve bireysel iş yerlerinde ölçülen değerler daha yüksek olabilir. Gerçek maruz kalma değerleri ve bireysel kullanıcının görebileceği zarar riski duruma özgüdür ve kullanıcının çalışma şekline, iş parçasına ve iş istasyonu tasarımı ile kullanıcının maruz kalma süresi ve fiziksel durumuna bağlıdır.

Bizler, **Ets Georges Renault** olarak, kontrolümüz olmayan bir iş yerinde risk değerlendirmesi için geçerli maruz kalmayı yansıtan değerler yerine açıklanan değerlerin kullanılmasının sonuçlarından sorumlu tutulamayız.

Bu alet, kullanımı yeterli derecede yönetilmediğinde el-kol titreşimi sendromuna yol açabilir. El-kol titreşimini yönetmekle ilgili AB kılavuzuna <http://www.pneurop.eu/index.php> sitesinde, 'Tools' (Araçlar) ve 'Legislation' (Mevzuat) seçeneğinden ulaşılabilir.

Yönetme prosedürlerinin gelecekteki hasarı önlemeye yardımcı olacak şekilde değiştirilebilmesi için gürültü ve titreşime maruz kalmayla ilgili olabilecek belirtileri erken tespit etmek için bir sağlık gözetim programı öneriyoruz.

- ⓘ Eğer bu ekipman sabitlenen uygulamalara yönelikse: Gürültü emisyonu makine kurucusu için bir rehber olarak verilir. Tüm makine için gürültü ve titreşim emisyonu verileri makine kullanım kılavuzunda verilmiştir.

WEEE

Atık Elektrikli ve Elektronik Ekipman (WEEE) ile ilgili bilgiler:

Bu ürün ve bilgileri, WEEE Direktifi/yönetmelikleri (2012/19/EU) gerekliliklerini karşılamaktadır ve direktife uygun şekilde kullanılmalıdır.

Ürün şu sembol ile işaretlenmiştir:



Üzerinde çarpı işareti bulunan tekerlekli çöp kutusu sembolü ve altında tek bir siyah çubuk bulunan ürünler, WEEE Direktifi/yönetmeliklerine uygun olarak müdahale edilmesi gereken parçalar içerir. Tüm ürün veya WEEE parçaları, müdahale için "Müşteri Merkezi"ne gönderilebilir.

REACH Madde 33 ile ilgili bilgiler

Kimyasalların Tescili, Değerlendirilmesi, İzni ve Kısıtlanması (REACH) ile ilgili 1907/2006 sayılı Avrupa Yönetmeliği (AB), tedarik zincirinde iletişim ile ilgili diğer gereklilikleri tanımlamaktadır. Bilgi gereklilikleri ayrıca Çok Yüksek Endişe Verici Maddeler ("Aday Listesi") içeren ürünler için de geçerlidir. 27 Haziran 2018 tarihinde Aday Listesine kurşun metali (CAS No. 7439-92-1) eklenmiştir.

Yukarıdaki bilgilere göre bu, üründeki belirli elektrikli ve mekanik bileşenlerin kurşun metali içerebileceğini bildirmektedir. Bu, yürürlükteki madde kısıtlama mevzuatına uygundur ve RoHS Yönergesindeki (2011/65/EU) yasal muafiyetlere dayanmaktadır. Kurşun metali normal kullanım sırasında üründen sızıntı yapmaz veya mutasyona uğramaz ve tüm üründeki kurşun metali konsantrasyonu geçerli eşik sınırının oldukça altındadır. Lütfen ürünün kullanım ömrü sonunda kurşunu bertarafı konusunda ilgili yerel gereklilikleri dikkate alın.

Bölgesel Gereklilikler**⚠ UYARI**

Bu ürün Kaliforniya eyaleti tarafından kansere ve doğum kusurlarına veya diğer üreme rahatsızlıklarına neden olduğu bilinen kurşun dahil olmak üzere çeşitli kimyasallara maruz kalmanıza neden olabilir. Daha fazla bilgi için <https://www.p65warnings.ca.gov/> adresini ziyaret edin

<https://www.p65warnings.ca.gov/>

Güvenlik

ATMAYIN - KULLANICIYA VERİN

⚠ UYARI Kurulum, kullanım ve bakıma ilişkin tüm yerel güvenlik kurallarına her zaman uyulmalıdır.**Kullanım Beyanı**

- Sadece profesyonel kullanım içindir.

- Bu ürün ve parçalarının hiçbir şekilde tadil edilmemesi gerekir.
- Bu ürün hasar görmüşse kullanmayın.
- Ürün verileri veya tehlike uyarı işaretleri okunamaz hale gelirse veya sökülürse, zaman kaybetmeden yenileyin.
- Ürün endüstriyel bir ortamda sadece nitelikli personel tarafından kurulmalı, çalıştırılmalı ve servisi yapılmalıdır.

Kullanım amacı

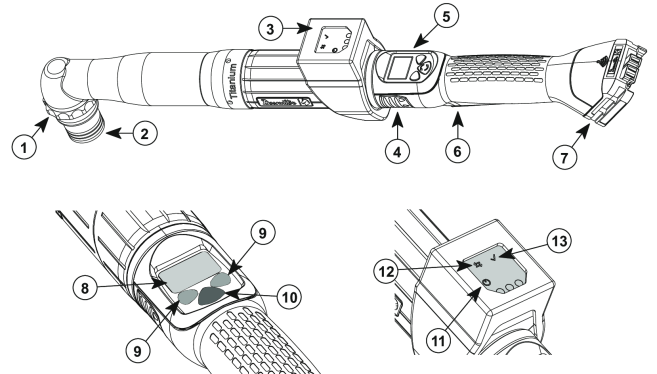
Bu ürün, ahşap, metal veya plastik dişli bağlantı elemanlarının takılması ve sökülmesi için tasarlanmıştır. Diğer her türlü kullanımı yasaktır. Sadece profesyonel kullanım içindir.

Sadece aşağıdaki Desoutter pil paketlerini kullanın.

- Pil paketi 18 V 2.5 Ah, parça numarası 6158132660
- Pil paketi 36 V 2.5 Ah, parça numarası 6158132670

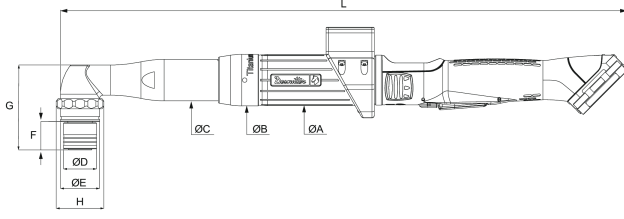
Pil paketleri Desoutter pil paketi **sadece** şarj cihazıyla (6158132700) şarj edilmelidir.

Tam talimatlar için pil paketi şarj cihazı Güvenlik Talimatlarına (6159925310) ve <https://www.desouttertools.com/resource-centre> adresinde farklı dillerde yayımlanan Ürün Talimatlarına bakınız

Ürüne Özel Talimatlar**Ürün açıklaması**

- Crowfoot için montaj adaptörü
- Hızlı serbest bırakma çıkışı
- QR aksesuar okuyucu
- Raporlama LED'leri
- Ekran ve düğmeler
- Tetik
- Pil ayak izi
- Ekran
- Programlama düğmeleri
- Ters çevirme düğmesi
- Gösterge, aksesuarın gücünün açık olduğunu gösterir
- Okuma/yazma devam ediyor
- Atanan Pset hazır.

Boyutlar (mm)



Model	L	ØA	ØB
EABA26-560-QRX	496	46	46
EABA32-410-QRX	496	46	46
EABA45-330-QRX	506	46	46
EABA50-450-QRX	546	46	46
EABA60-370-QRX	559	46	58
EABA75-300-QRX	582	46	58
EABA95-240-QRX	582	46	58

Model	ØC	D	E
EABA26-560-QRX	37	25	28
EABA32-410-QRX	37	25	28
EABA45-330-QRX	37	30	35
EABA50-450-QRX	37	30	35
EABA60-370-QRX	41	33	40
EABA75-300-QRX	49	34	43
EABA95-240-QRX	49	34	43

Model	F	G	H
EABA26-560-QRX	22	68	35
EABA32-410-QRX	22	68	35
EABA45-330-QRX	25	76	44
EABA50-450-QRX	25	76	44
EABA60-370-QRX	27	85	49
EABA75-300-QRX	28	88	52
EABA95-240-QRX	28	88	52

Genel Kurulum Güvenliği

Kurulumu sadece yetkili personele yaptırın.

Aleti güvenli bir şekilde asın, örneğin bir dengeleyici kullanın. Bir askı çatalını kullanırken, iyi durumda olduğundan ve doğru sıkıldığından emin olun.

Kablolu aletler için: Sistemi daima topraklı bir elektrik prizine bağlayın. Şebeke elektriği fişinin bağlı olmadığından ve aletin kablосunu takmadan ve sökmeden önce kontrolörün kapalı olduğundan daima emin olun.

Genel Çalışma Güvenliği

- **Takılma riskinden dolayı, eldiven kullanmayın.**
- **Alet kullanılırken oluşabilecek reaksiyon kuvveti için hazırlıklı olun.** Son sıkma ve ilk gevşetme sırasındaki ani tork reaksiyonunun etkisini azaltmak için, her zaman aletin kolunu güvenli bir şekilde, mil dönüş yönünün tersine doğru destekleyin.

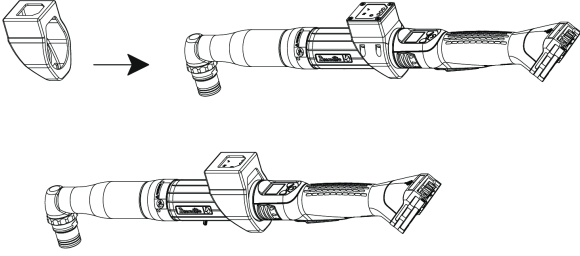
- **Tahriği, soketi veya tahrik uzantısını asla tutmayın.**
- **Operatörler ve bakım personeli, aletin büyüklüğünü, ağırlığını ve gücünü fiziksel olarak taşıyabilecek durumda olmalıdır.**
- **Mümkünse, tepki torkunu absorbe etmek için bir süspansiyon kolu kullanın. Bu mümkün değilse, düz ve kabza tipi aletler için yan saplar tavsiye edilir; açılı somun sıkma aletleri için reaksiyon çubukları tavsiye edilir.** Düz tip aletler için 4 Nm (3 lbf.ft) üzerinde, kabza tip aletler için 10 Nm (7.5 lbf.ft) üzerinde ve açılı somun sıkma aletleri için 60 Nm (44 lbf.ft) üzerinde reaksiyon torkunu absorbe edecek bir araç kullanılması tavsiye edilir.
- **Aşırı veya yetersiz torklu bağlantı elemanlarından dolayı ciddi yaralanmalar meydana gelebilir.** Belirli bir tork değerini gerektiren tertibatlar bir tork ölçer kullanılarak kontrol edilmelidir. "Klik" tork anahtarı olarak adlandırılan anahtarlar, potansiyel olarak aşırı tork koşulları için kontrol edilmez. Aşırı veya yetersiz torklu bağlantı elemanları kırılabilir, gevşeyebilir veya kopabilir. Dağıtılan parçalardan fırlayan parçalar çıkabilir.
- **Sadece iyi durumdaki elektrikli veya darbeli soketler kullanın.** El soketlerini kullanmayın.
- **Operatör bir elektrikli aleti kullanırken ellerde, kollarında, omuzlarda, boyunda ve vücudun diğer kısımlarında rahatsızlık hissedebilir.** Çalışma günü boyunca uygun duruşlar arasında değiştirin, güvenli bir duruş sağlayın ve uygunsuz veya dengesiz duruşlardan kaçının.
- **Tekrarlı çalışma hareketleri, tuhaf pozisyonlar ve vibrasyona maruz kalma eller ve kollar için zararlı olabilir.** Ciltte duyarsızlık, karıncalanma, ağrı veya beyazlama oluşursa, aleti kullanmayı bırakın ve doktora başvurun.
- **Sınırlı alanlarda çalışırken dikkatli olun.** Ellerin alet ve iş parçası arasında sıkışmamasına, özellikle sökerken dikkat edin.
- **Yüksek ses düzeyleri kalıcı işitme kaybına neden olabilir.** İşvereniniz tarafından veya meslek sağlığı ve güvenliği yönetmelikleriyle tavsiye edilen işitme korumasını kullanın.
- **İş parçasının sıkı bir şekilde bağlandığından emin olun.**
- **Bilmediğiniz ortamlarda dikkatli olun.** İş faaliyetinizin oluşturduğu potansiyel tehlikelere dikkat edin. Bu alet, elektrik gücü kaynaklarına temasa karşı izolasyonlu değildir.

Reaksiyon çubuğu ile birlikte kullanılan aletler Alet kullanılırken elinizi asla reaksiyon kolunun yanına veya yakınına koymayın. Aleti çalıştırmadan önce lütfen milin dönüş yönüne dikkat edin, reaksiyon kuvveti beklenmedik bir yönde etki ederek ezilme yaralanmaları riskini beraberinde getirebilir.

Kavrama içeren aletler için: Kavramayı ayarladıktan hemen sonra, doğru çalışıp çalışmadığını kontrol edin.

Kapak okuyucuya nasıl monte edilir

- i** Okuyucuyu darbelerden ve hasarlardan korumak için teslimatta verilen kapağın takılması kesinlikle tavsiye edilir.



Kapağı aletin üzerinde kaydırın.
Okuyucunun üzerine kuvvetlice bastırın.

Pilin takılması



Bir kilitleme sesi net bir şekilde duyulana kadar pil paketini aletin önüne veya arkasına yerleştirin.

AÇMA/KAPAMA düğmesi yoktur: bir pil paketi takılır takılmaz alet çalışmaya hazırdır.

Aletin gücü açıldığında LED'ler yanıp söner.

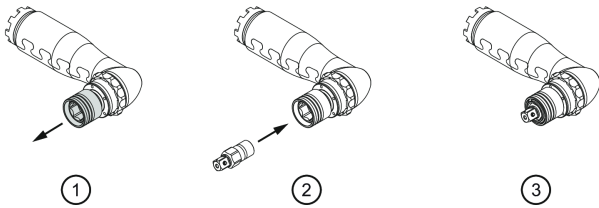
İKAZ Pil paketleri için kullanım önerileri

Pil paketinin servis ömrünün uzamasını sağlayın.

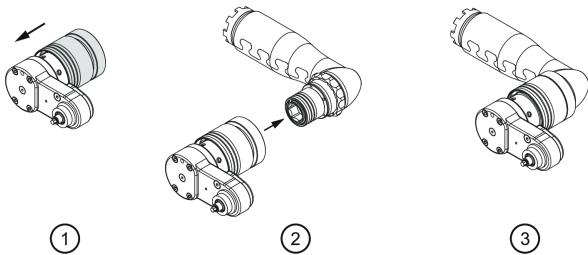
- ▶ Alet kullanılmadığında pil paketini çıkarın.
Şarj cihazı güç kaynağı kapalıyken, pil paketini şarj cihazında bırakmayın.

Aksesuarların takılması

Soket



Crowfoot



Bir aksesuarı hızlı serbest bırakma çıkışına gösterildiği gibi takın ve buna bir Pset atayın.

Aletin çalıştırılması

Aleti uygun bir sokete takın.

Uygun Pset seçin.

Aleti tutamaktan tutun ve sıkılacak olan bağlantı elemanına uygulayın.

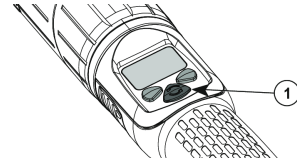
⚠ UYARI Yaralanma riski

Sıkma torkuyla orantılı olarak reaksiyon kuvveti arttıkça beklenmeyen alet davranışı nedeniyle operatörün bendenel yaralanma riski söz konusudur.

- ▶ Aletin kusursuz çalıştığından ve sistemin doğru şekilde programlandığından emin olun.

Aleti başlatmak için tetiğe basın.

Dönüşü tersine çevirme



1 Tersine dönüş düğmesine basın

Bu düğmeye basın.

Kırmızı ve yeşil LED'ler değişerek yanıp söner.

Aleti bağlantı elemanına uygulayın ve tetiğe basın.

Genel Servis ve Bakım Güvenliği

Servis sırasında beklenmedik başlamaları önlemek için kontrolörü daima kapalı tutun.

Kurulumu sadece yetkili personele yaptırın.

Temizlik Talimatları

Parçaları nemli bir bez ile temizleyin. Sadece su kullanın ve solvent içeren her türlü temizlik maddesinden kaçının.

Güncel önerilere göre ve aletimize özel temizlik tavsiyesi için Desoutter servis teknisyeniniz ile iletişime geçin.

Genel Elektrikli Alet Güvenlik Uyarıları

- ⚠ UYARI Bu elektrikli aletle birlikte verilen tüm güvenlik uyarılarını, talimatları, gösterimleri ve sertifikasyonları okuyun.**

Aşağıda listelenen tüm talimatlara uyulmaması elektrik çarpmasına, yangına ve/veya ciddi yaralanmalara yol açabilir.

Bütün uyarıları ve talimatları ileride kullanmak için saklayın.

Uyarılardaki "elektrikli alet" terimi şebeke elektriği ile çalıştırılan (kablolu) elektrikli aletleri veya pil ile çalıştırılan (kablesiz) elektrikli aletleri içermektedir.

Çalışma alanının güvenliği

- Çalışma alanını temiz tutun ve iyi aydınlatın. Dağınık veya karanlık alanlar kazalara davetiye çıkarır.

Safety Information

- Elektrikli aletleri yanıcı sıvılar, gazlar ya da tozların bulunduğu yerler gibi patlayıcı ortamlarda kullanmayın. Elektrikli aletler, toz veya dumanları tutuşturabilecek kıvılcımlar çıkartır.
- Elektrikli aletleri kullanırken çocukları ve çevredekileri uzak tutun. Dikkat dağınıklığı kontrolü kaybetmenize yol açabilir.

Elektrik güvenliği

- Elektrikli aletlerin fişi prizle uyumlu olmalıdır. Fişi kesinlikle hiçbir şekilde değiştirmeyin. Topraklanmış elektrikli aletlerle hiçbir adaptör fişini kullanmayın. Değiştirilmemiş fişler ve uygun prizler elektrik çarpması riskini azaltır.
- Borular, radyatörler, ocak ve buzdolapları gibi topraklanmış yüzeylere vücut temasından kaçının. Vücudunuz toprağa temas ediyorsa, elektrik çarpması riski daha yüksektir.
- Elektrikli aletleri yağmura ya da ıslak ortamlara maruz bırakmayın. Elektrikli bir alete su girmesi, elektrik çarpması riskini arttıracaktır.
- Kabloyu yanlış kullanmayın. Elektrikli aleti kablodan tutarak taşımayın, çekmeyin ya da prizden çıkarmayın. Kabloyu ısıdan, yağdan, keskin kenarlardan ya da hareketli parçalardan uzak tutun. Hasarlı ya da karışmış kablolar elektrik çarpması riskini artırır.
- Elektrikli bir aleti açık alanda kullanırken, açık havada kullanıma uygun bir uzatma kablosu kullanın. Açık alanda kullanım için uygun bir kablunun kullanılması, elektrik çarpması riskini azaltır.
- Elektrikli bir aletin nemli ortamda kullanımı kaçınılmazsa, bir artık akım cihazı (RCD) korumalı kaynak kullanın. Bir RCD kullanımı, elektrik çarpması riskini azaltır.

Kişisel güvenlik

- Elektrikli bir aleti kullanırken uyanık kalın, ne yaptığınıza dikkat edin ve sağduyunuzu kullanın. Elektrikli bir aleti yorgunken ya da uyuşturucu, alkol veya ilaç tedavisi etkisi altındayken kullanmayın. Elektrikli aletleri kullanırken bir anlık dikkatsizlik ciddi kişisel yaralanma ile sonuçlanabilir.
- Kişisel koruyucu donanım kullanın. Daima göz koruması takın. Uygun koşullar için toz maskesi, kaymayan güvenlik ayakkabıları, baret ya da kulaklık gibi koruyucu teçhizat kullanılması kişisel yaralanmaları azaltır.
- İstem dışı çalıştırmaları önleyin. Güç kaynağına ve/veya pil paketine bağlamadan, aleti kaldırmadan ya da taşımadan önce düğmenin kapalı konumda olduğundan emin olun. Elektrikli aletleri parmağınız düğme üzerinde olacak şekilde taşımak ya da açık konumdaki elektrikli aletleri elektrikle bağlamak kazalara davetiye çıkarır.
- Elektrikli aleti çalıştırmadan önce üzerindeki her türlü ayarlama anahtarını çıkartın. Elektrikli aletin dönen bir parçasının üzerinde kalan bir anahtar kişisel yaralanmalara neden olabilir.

- Ulaşılmaması güç yerlerde kullanmayın. Her zaman ayaklarınızı yere uygun bir şekilde basın ve dengenizi koruyun. Bu, beklenmeyen durumlarda elektrikli aletin daha iyi kontrol edilebilmesini sağlar.
- Uygun biçimde giyinin. Takı takmayın veya bol kıyafetler giymeyin. Saçınızı ve kolyenizi hareketli parçalardan uzak tutun. Bol giysiler, takılar veya uzun saç hareketli parçalara takılabilir.
- Cihazlar toz giderme ve toplama aletlerinin bağlanmasına uygunsa, bunların bağlı olduklarından ve düzgün kullanıldığından emin olun. Toz toplayıcının kullanılması, tozla ilgili tehlikeleri azaltabilir.
- Aletlerin sıklıkla kullanımından edinilen aşinalığın rahatlamasına ve alet güvenliği prensiplerini gözardı etmenize yol açmasına izin vermeyin. Dikkatsizce yapılan bir işlem bir anda ciddi bir yaralanmaya neden olabilir.
- Bağlantı elemanının gizlenmiş bir kablo veya kendi kablosuyla temas edebileceği yerlerde bir işlem yaparken, elektrikli aleti yalıtılmış kavrama yüzeylerinden tutun. “Elektrikli” bir kabloya temas eden bağlantı elemanları, elektrikli aletin açıldığında metal parçalarını “elektrikli” hale getirebilir ve operatöre elektrik çarpmasına neden olabilir.

Elektrikli alet kullanımı ve bakımı

- Elektrikli aleti zorlamayın. Uygulamanız için doğru elektrikli aleti kullanın. Doğru elektrikli alet tasarlandığı hızda işi daha iyi ve daha güvenli yapacaktır.
- Açma ve kapama düğmesi çalışmıyorsa, elektrikli aleti kullanmayın. Düğme ile kontrol edilemeyen her elektrikli alet tehlikelidir ve mutlaka tamir edilmelidir.
- Herhangi bir ayarlama, aksesuar değişimi yapmadan ya da elektrikli aleti saklamadan önce fişi güç kaynağından ve/veya pil paketini elektrikli aletten çıkarın (çıkartılabiliyorsa). Bu tür önleyici güvenlik tedbirleri, elektrikli aletin kazayla çalışması riskini azaltır.
- Elektrikli aleti çocukların erişemeyeceği yerde saklayın ve elektrikli aleti veya bu talimatları bilmeyen kişilerin elektrikli aleti kullanmalarına izin vermeyin. Elektrikli aletler, eğitimsiz kullanıcıların ellerinde tehlikelidir.
- Elektrikli aletleri ve aksesuarlarını muhafaza edin. Hareketli parçaların yanlış hizalanması veya bağlanması, parçaların kopması veya elektrikli aletin çalışmasını etkileyebilecek diğer herhangi bir durum için kontrol edin. Hasarlı ise, elektrikli aleti kullanmadan önce tamir ettirin. Çoğu kaza elektrikli aletlerin yetersiz bakımından kaynaklanır.
- Kesici aletleri, keskin ve temiz tutun. Bakımı düzgün yapılmış keskin ağızlı kesici aletlerin sıkışma ihtimali daha azdır ve kontrol etmesi daha kolaydır.
- Elektrikli aleti, aksesuarları ve parçaları vb. bu talimatlara uygun olarak, çalışma koşullarını ve yapılacak işi dikkate alarak kullanın. Elektrikli aletin amaçlanandan farklı işler için kullanılması tehlikeli durumlara neden olabilir.

- Tutamakları ve kavrama yüzeylerini kuru, temiz ve yağ ile gresten arındırılmış halde tutun. Kaygan tutamaklar ve kavrama yüzeyleri beklenmedik durumlarda aletin güvenli bir şekilde tutulmasını ve kontrolünü olanaksız kılar.

Pilli aletin kullanımı ve bakımı

- Sadece üretici tarafından belirtilen şarj cihazıyla şarj edin. Bir pil paketi türü için uygun olan şarj cihazı, başka bir pil paketi ile birlikte kullanıldığında yangın riski oluşturabilir.
- Elektrikli aletleri sadece özellikle belirtilen pil paketleriyle kullanın. Başka bir pil paketinin kullanılması yaralanma ve yangın riski oluşturabilir.
- Pil paketi kullanılmadığında, bir terminalle diğer terminal arasında bağlantı oluşturabilecek kağıt ataçları, bozuk paralar, anahtarlar, çiviler, vidalar gibi diğer küçük metal nesnelere uzak tutun. Pil terminallerinin kısa devre yapılması, yanık veya yangına neden olabilir.
- Kötü kullanım koşullarında, pilden sıvı çıkabilir; bu sıvıya temas etmeyin. Yanlışlıkla temas ederse, suyla yıkayın. Sıvı gözlere temas ederse, ayrıca tıbbi yardım isteyin. Pilden çıkan sıvı, tahriş veya yanıklara neden olabilir.
- Hasarlı veya değiştirilmiş bir pil paketini veya aleti kullanmayın. Hasarlı veya değişiklik yapılmış piller yangına, patlamaya veya yaralanma riskine neden olan beklenmedik davranışlar gösterebilirler.
- Bir pil paketini veya aleti yangın ya da aşırı sıcaklığa maruz bırakmayın. Ateşe veya 130 °C'nin üzerindeki sıcaklıklara maruz bırakılması patlamaya neden olabilir.
- Tüm şarj etme talimatlarına uyun ve talimatlarda belirtilen sıcaklık aralığının dışında pil paketini veya aleti şarj etmeyin. Uygun olmayan şekilde ya da belirtilen aralık dışındaki sıcaklıklarda şarj etmek pile zarar verebilir ve yangın riskini artırabilir.

Servis

- Elektrikli aletinizi, sadece orijinal yedek parça kullanan yetkili tamircilere servis ettirin. Bu, elektrikli aletin güvenli bakımını sağlayacaktır.
- Hasarlı pil paketlerine asla bakım yapmayın. Pil paketlerinin bakımı sadece üretici veya yetkili servis sağlayıcılar tarafından yapılmalıdır.

İşaretler ve Etiketler

Ürün, kişisel emniyete ve ürün bakımına ilişkin önemli bilgiler içeren işaretlerle ve etiketlerle donatılmıştır. İşaretler ve etiketler her zaman kolaylıkla okunabilmelidir. Yeni işaretler ve etiketler yedek parça listesi kullanılarak sipariş edilebilir.



s011050

Faydalı Bilgiler

Web sitesi

Ürünlerimiz, Aksesuarlarımız, Yedek Parçalarımız ve Yayınlanmış Makalelerimizle ilgili bilgileri Desoutter web sitesinde bulabilirsiniz.

Lütfen ziyaret edin: www.desouttertools.com.

Kurulum kılavuzları hakkındaki bilgiler

Detaylı çalıştırma talimatları, kurulum ve güncelleme kılavuzları <https://www.desouttertools.com/resource-centre> adresinde bulunabilir.

Yedek parçalar hakkındaki bilgiler

Yakınlaştırılmış görünüm ve yedek parça listeleri için www.desouttertools.com adresindeki Servis Bağlantısına bakın.

Menşei ülke

France

Güvenlik Veri Sayfaları MSDS/SDS

Güvenlik Bilgi Formları Desoutter tarafından satılan kimyasal ürünleri tanımlamaktadır.

Daha fazla bilgi için lütfen Desoutter web sitesini <https://www.desouttertools.com/legal/sds> ziyaret edin.

Telif Hakkı

© Telif hakkı 2022, Ets Georges Renault, 38 rue Bobby Sands, 44818 Saint Herblain, France

Tüm hakları saklıdır. İçeriğin veya bir kısmının her türlü yetkisiz kullanımı veya kopyalaması yasaktır. Bu özellikle ticari markalar, model adları, parça numaraları ve çizimler için geçerlidir. Sadece yetkili parçaları kullanın. Onaylanmamış parçaların kullanımı nedeniyle oluşan zararlar veya arızalar Garanti veya Ürün Sorumluluğu kapsamına girmez.

Технически данни

Технически данни

Напрежение (V)

36 V

Исходна предавка

Модел	Вид
EABA26-560-QRX	Изход с бързо освобождаване
EABA32-410-QRX	Изход с бързо освобождаване
EABA45-330-QRX	Изход с бързо освобождаване

Safety Information

Модел	Вид
EABA50-450-QRX	Изход с бързо освобождаване
EABA60-370-QRX	Изход с бързо освобождаване
EABA75-300-QRX	Изход с бързо освобождаване
EABA95-240-QRX	Изход с бързо освобождаване

Диапазон на въртящия момент (нютон-метър)

Модел	Мин. / номинален / макс.
EABA26-560-QRX	5 / 24 / 26
EABA32-410-QRX	7 / 30 / 32
EABA45-330-QRX	9 / 40 / 45
EABA50-450-QRX	9 / 45 / 50
EABA60-370-QRX	10 / 55 / 60
EABA75-300-QRX	12 / 70 / 75
EABA95-240-QRX	19 / 90 / 95

Диапазон на въртящия момент (фут-паунд)

Модел	Мин. / номинален / макс.
EABA26-560-QRX	1,12 / 5,40 / 5,85
EABA32-410-QRX	1,57 / 6,74 / 7,19
EABA45-330-QRX	2,02 / 8,99 / 10,12
EABA50-450-QRX	2,02 / 10,12 / 11,24
EABA60-370-QRX	2,25 / 12,36 / 13,49
EABA75-300-QRX	2,70 / 15,74 / 16,86
EABA95-240-QRX	4,27 / 20,23 / 21,36

Номинална скорост (об./мин)

Модел	
EABA26-560-QRX	560
EABA32-410-QRX	410
EABA45-330-QRX	330
EABA50-450-QRX	450
EABA60-370-QRX	370
EABA75-300-QRX	300
EABA95-240-QRX	240

Тегло

Модел	(кг)	(lb) (паунд)
EABA26-560-QRX	2,04	4,50
EABA32-410-QRX	2,04	4,50
EABA45-330-QRX	2,21	4,87
EABA50-450-QRX	2,49	5,49
EABA60-370-QRX	2,82	6,22
EABA75-300-QRX	3,42	7,54

Модел	(кг)	(lb) (паунд)
EABA95-240-QRX	3,46	7,63

i Посоченото тегло не включва пакета батерии.

Условия на съхранение и употреба

Температура на съхранение	-20 до +70 °C (-4 до +158 F)
Работна температура	0 до 45 °C (32 до 113 F)
Влажност на съхранение	0-95 % RH (относителна влажност) (некондензираща)
Работна влажност	0-90 % RH (относителна влажност) (некондензираща)
Надморска височина до	2000 m (6562 фута)
За употреба в среда със замърсяване 2. степен	
Употреба само в помещения	

Спецификации на безжичната комуникация RFID 13,56 MHz

Честота	13,553 MHz – 13,567 MHz
Интензитет на магнитното поле (H)	< 42 dBµA/m на 10 м съгласно Европейския институт за стандартизация в далекосъобщенията (ETSI), стандарт EN 300 330 v2.1.1

Декларации

Отговорност

Процесът на затягане може да бъде повлиян от редица събития в работната среда и това е причината да изисква валидиране на резултатите. В съответствие с приложимите стандарти и/или разпоредби Ви препоръчваме да проверявате въртящия момент и посоката на въртене след всяко събитие, което може да повлияе върху крайния резултат. Примери за такива събития включват, но не се ограничават до:

- първоначален монтаж на системата
- смяна на част, болт, винт, инструмент, софтуер, конфигурация или среда
- смяна на въздушните или електрическите връзки
- смяна в ергономиката, работата, процедурите по качество или практиките
- смяна на оператор
- всякакви други промени, които могат да повлияят върху резултата на процеса на затягане

Проверката трябва да доведе до следното:

- Гаранция, че условията не са се променили поради външни фактори.
- Приключване на проверката след първоначален монтаж, поддръжка или ремонт на оборудването.
- Проверката трябва да се извършва най-малко веднъж на смяна или с друга подходяща честота.

ЕС ДЕКЛАРАЦИЯ ЗА СЪОТВЕТСТВИЕ

Ние, **Ets Georges Renault**, 38 rue Bobby Sands, 44818 Saint Herblain, France, декларираме на своя лична отговорност, че този продукт (с наименование, тип и сериен номер, вижте предната страница) е в съответствие със следната(ите) Директива(и):
2006/42/ЕО, 2011/65/ЕС, 2014/53/ЕС

Приложени хармонизирани стандарти:

EN 62841-2-2:2015+AC1:2015 EN 61000-6-2:2005 EN 61000-6-3:2007+A1:2011 EN 61326-2-3:2006 EN 301 489-3 V2.1.1 EN 62311:200

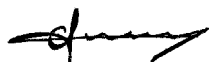
Властите могат да поискат съответната техническа информация от:

Pascal ROUSSY, R&D Manager, 38 rue Bobby Sands, 44818 Saint Herblain, France

Сент Ерблен, 13.09.2021 г.

Pascal ROUSSY, R&D Manager

Подпис на издаващото лице



Декларация за шум и вибрации

- Ниво на акустична мощност < 70 dB(A) , несигурност 3 dB(A) в съответствие със стандарт EN 62841-2-2 : 2014.
- Обща стойност на вибрациите < 2.5 m/s², несигурност 3 m/s² в съответствие със стандарт EN 62841-2-2 : 2014.

Тези декларираните стойности са получени при изпитвания от лабораторен тип в съответствие с посочените стандарти и са подходящи за сравнение с декларираните стойности на други инструменти, изпитвани в съответствие със същите стандарти. Нивото на вибрационните емисии може да се използва за предварителна оценка на експозицията. Тези декларираните стойности не са подходящи за използване при оценка на риска, тъй като стойностите, измерени на отделните работни места, могат да бъдат по-високи. Действителните стойности на излагането на въздействие и рискът от увреждания, понасяни от отделния потребител, са уникални и зависят от начина на работа на потребителя, вида на работата и конструкцията на работната станция, както и от времето на експозиция и физическото състояние на потребителя.

Ние, **Ets Georges Renault**, не поемаме отговорност за последствията от използването на декларираните стойности вместо на стойности, отразяващи

действителното излагане на въздействие при индивидуална оценка на риска в ситуация на реално работно място, над която нямаме контрол.

Този инструмент може да причини синдром на вибрации ръка-рамо, ако употребата му не бъде управлявана адекватно. Можете да намерите ръководството на ЕС за управление на вибрациите ръка-рамо, като посетите следния уебсайт <http://www.pneurop.eu/index.php> и изберете 'Tools' (Инструменти), а след това - 'Legislation' (Законодателство).

Препоръчваме провеждането на програма за здравен надзор, чрез която да се определят ранните симптоми, отнасящи се до излагането на шум и вибрации, така че работните процедури да бъдат модифицирани с цел предотвратяване на бъдещи увреждания.

- ⓘ Ако това оборудване е предназначено за неподвижни приложения:
Емисиите на шум са посочени като указание за машиностроителя. Данните за емисиите на шум и вибрации за цялата машина трябва да са посочени в ръководството за потребителя на машината.

WEEE

Информация относно **Излязло от употреба електрическо и електронно оборудване (ИУЕЕО)**: Настоящият продукт и информацията за него отговарят на изискванията на Директивата/предписанията за ИУЕЕО (2012/19/EU), и с него трябва да се борави в съответствие със същата Директива/предписания.

Продуктът е маркиран със следния символ:



Продукти, маркирани със зачеркната с кръст кофа за отпадъци на колела и единична черна линия под нея, съдържат части, с които трябва да се борави в съответствие с Директивата/предписанията за ИУЕЕО. Целият продукт или ИУЕЕО частите могат да бъдат изпратени до вашия "Център за обслужване на клиенти" за обработка.

Информация във връзка с чл. 33 от REACH (Регламент относно регистрацията, оценката, разрешаването и ограничаването на химикали)

Европейски регламент (ЕС) №1907/2006 относно регистрацията, оценката, разрешаването и ограничаването на химикали (REACH) определя, освен други неща, изискванията, свързани с комуникациите във веригата на доставките. Изискването за информация се отнася също и за продукти, съдържащи т. нар. вещества, пораждащи сериозно безпокойство ("списък на кандидати"). На 27 юни 2018 г. металът олово (CAS № 7439-92-1) беше добавен към списъка на кандидатите.

Safety Information

Във връзка с гореспоменатото бихме искали да ви информираме, че определени електрически и механични компоненти в продукта може да съдържат метала олово. Това е в съответствие с настоящето законодателство за ограничаване на веществата и въз основа на законовите изключения в Директивата за ограничението за употребата на определени опасни вещества в електрическото и електронното оборудване (RoHS) (2011/65/EU). Металът олово няма да изтече от продукта или да се видоизмени в него по време на нормална употреба, и концентрацията на метала олово в цялостния продукт е значително под приложимата прагова стойност. Моля, съобразете се с местните изисквания за изхвърляне на олово при изтичане на годността на продукта.

Регионални изисквания

⚠ ПРЕДУПРЕЖДЕНИЕ

Този продукт може да ви изложи на контакт с химикали, включително олово, за което в щата Калифорния е известно, че причинява рак и вродени малформации или други вреди по отношение на възпроизводителната способност. За допълнителна информация посетете

<https://www.p65warnings.ca.gov/>

Безопасност

НЕ ИЗХВЪРЛЯЙТЕ – ПРЕДАЙТЕ НА ПОТРЕБИТЕЛЯ

⚠ ПРЕДУПРЕЖДЕНИЕ Трябва да се спазват всички местни законови разпоредби за безопасност относно инсталация, работа и поддръжка.

Декларация за употреба

- Само за професионална употреба.
- Този продукт и неговите принадлежности не могат да бъдат променяни по какъвто и да е начин.
- Не използвайте този продукт, ако е повреден.
- Ако означенията на данните на продукта или предупрежденията за опасност върху него престанат да бъдат четливи или се откачат, незабавно ги подменете.
- Продуктът трябва да бъде инсталиран, използван и обслужван единствено квалифицирани лица в индустриална среда.

Предназначение

Настоящият продукт е предназначен за инсталиране и отстраняване на свързващи елементи с резба в дървесина, метал или пластмаса. Не се разрешава друг вид употреба. Само за професионална употреба.

Използвайте само следните пакети батерии на Desoutter.

- Пакет батерии 18 V 2,5 Ah, номер на част 6158132660

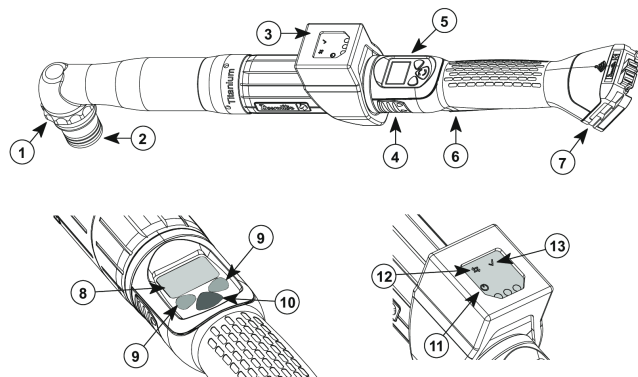
- Пакет батерии 36 V 2,5 Ah, номер на част 6158132670

Пакетите батерии трябва да се зареждат **само** със зарядно устройство за пакети батерии на Desoutter (6158132700).

Пълните инструкции можете да намерите в Инструкции за безопасност за зарядно устройство за пакети батерии (6159925310) и Инструкции за продукта на няколко езика на <https://www.desouttertools.com/resource-centre>

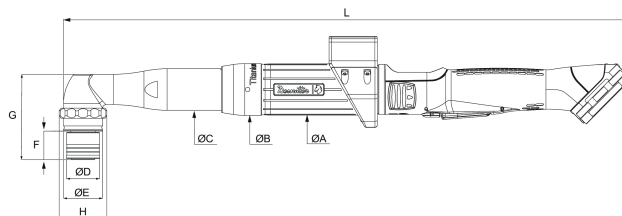
Инструкции за този продукт

Описание на продукта



- 1 Монтажен адаптер за Crowfoot
- 2 Изход с бързо освобождаване
- 3 Четец за QR аксесоар
- 4 Информационни светодиоди
- 5 Екран и бутони
- 6 Пусков механизъм
- 7 Отпечатък на батерията
- 8 Екран
- 9 Бутони за програмиране
- 10 Бутон за обръщане на посоката
- 11 Индикатор, който показва, че аксесоарът е включен.
- 12 Разчитане/писане в ход
- 13 Зададеният Pset е готов.

Размери (мм)



Модел	L	ØA	ØB
EABA26-560-QRX	496	46	46
EABA32-410-QRX	496	46	46
EABA45-330-QRX	506	46	46
EABA50-450-QRX	546	46	46

EABA60-370-QRX	559	46	58
EABA75-300-QRX	582	46	58
EABA95-240-QRX	582	46	58

Модел	ØC	D	E
EABA26-560-QRX	37	25	28
EABA32-410-QRX	37	25	28
EABA45-330-QRX	37	30	35
EABA50-450-QRX	37	30	35
EABA60-370-QRX	41	33	40
EABA75-300-QRX	49	34	43
EABA95-240-QRX	49	34	43

Модел	F	G	H
EABA26-560-QRX	22	68	35
EABA32-410-QRX	22	68	35
EABA45-330-QRX	25	76	44
EABA50-450-QRX	25	76	44
EABA60-370-QRX	27	85	49
EABA75-300-QRX	28	88	52
EABA95-240-QRX	28	88	52

Общи инструкции за безопасност при монтаж

Монтажът трябва да се извършва само от квалифициран персонал.

Окачете сигурно инструмента, например с помощта на стабилизатор. Когато използвате скоба за окачване, се уверете, че тя е в добро състояние и е правилно закачена.

За инструменти с кабел: Винаги свързвайте системата към заземен контакт. Винаги се уверявайте, че кабелът за захранването е разкачен и че контролерът е изключен, преди да свържете или разкачите кабела на инструмента.

Общи условия за безопасност при работа

- Поради риск от захващане, не носете ръкавици.
- Бъдете готови за противодействаща сила, която ще се появи при използване на инструмента. Винаги придържайте ръкохватката на инструмента стабилно в посока, противоположна на въртенето на шпиндела, за да намалите внезапния реактивен въртящ момент при окончателното затягане и първоначалното разхлабване.
- Никога не хващайте механизма, гнездото или удължителя на механизма.
- Персоналът, работещ с инструмента и извършващ неговата поддръжка, трябва да бъде физически годен за работа с размерите, теглото и мощността на инструмента.
- Ако е възможно, използвайте рамото за окачване за абсорбиране на реактивния въртящ момент. Ако това не е възможно, страничните ръкохватки се използват при инструменти с прав корпус или винтоверти; реакционните лостове се използват

за ъглови гайковерти. Препоръчва да се използва метод за абсорбиране на реактивния въртящ момент над 4 Nm (3 lbf.ft) при инструменти с прав корпус, над 10 Nm (7,5 lbf.ft) при винтоверти и над 60 Nm (44 lbf.ft) за ъглови гайковерти.

- **Сериозни наранявания могат да бъдат причинени от пренатягане или недобро затягане на крепежните елементи.** Сглобките, изискващи определено затягане, трябва да бъдат проверявани с динамометричен ключ. Така наречените „щракащи“ динамометрични ключове не проверяват за потенциално опасни условия на пренатягане. Пренатегнати или недобре затегнати крепежни елементи могат да се счупят, разхлабят или разделят. Възможно е разхлабените сглобки да се разхвърчат.
- **Използвайте единствено вложки за електрически или ударни гайковерти в добро състояние.** Не използвайте ръчни накрайници за затягане.
- **Когато използва електроинструмент, за да извършва трудова дейност, операторът може да изпита дискомфорт в дланите, ръцете, раменете, врата и други части на тялото.** Редувайте подходящите пози през целия работен ден, поддържайте стабилен стоеж и избягвайте неудобни или нестабилни пози.
- **Повтарящите се работни движения, неудобната поза и излагането на вибрации могат да причинят вреди на дланите и ръцете.** Ако се появи вкочаняване, изтръпване, болка или побеляване на кожата, прекратете работа с инструмента и се консултирайте с лекар.
- **Внимавайте при работа в тесни пространства.** Внимавайте да не смачкате ръката си между инструмента и детайла.
- **Високите нива на шум могат да причинят постоянна загуба на слух.** Използвайте шумозаглушителни предпазители за ушите, препоръчани от Вашия работодател или разпоредбите за безопасност и трудова медицина.
- **Уверете се, че обработваният детайл е захванат здраво.**
- **При работа в непозната обстановка подхождайте с внимание.** Осъзнавайте евентуалните опасности, създадени от трудовата Ви дейност. Този инструмент не е изолиран срещу контакт с източници на електрозахранване.

Инструменти, използвани заедно с реакционен лост:

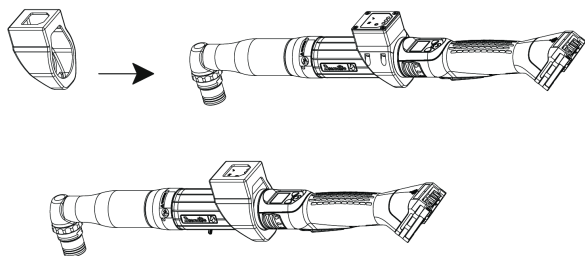
Никога не поставяйте ръката си в близост до реакционния лост, докато инструментът е в експлоатация. Преди да включите инструмента, проверете посоката на въртене на вала; противодействащата сила може да се прояви в неочаквана посока с риск от притискане и нараняване.

За инструменти, съдържащи съединител: Незабавно след регулирането на съединителя се уверете, че с инструмента се оперира правилно.

Safety Information

Как да монтирате капака върху четеца

- i** Силно препоръчваме да монтирате капака, част от доставката, за да предпазите четеца от удари и повреди.



Плъзнете капака върху инструмента.
Натиснете го силно над четеца.

Поставяне на пакета батерии



Пъхнете пакета с батериите отпред или в задната част на инструмента, докато чуete отчетлив звук от заключването.

Няма бутон ON/OFF (включване и изключване):
инструментът е готов за работа веднага след
монтирането на пакета батерии.

Когато инструментът е включен, светодиодите на
инструмента мигат.

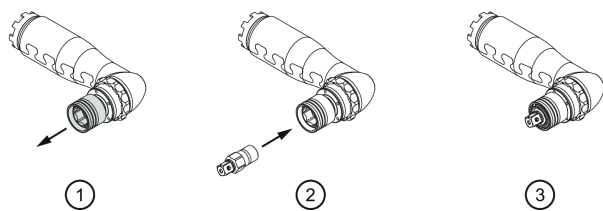
СЪОБЩЕНИЕ Препоръки за употреба за пакета батерии
Подсигурете по-дълъг сервизен живот на пакета батерии.

- ▶ Отстранете пакета батерии, когато инструментът не се използва.

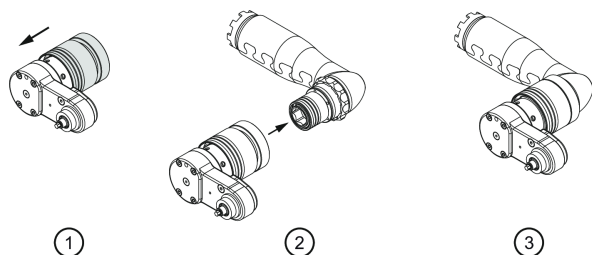
Не оставяйте пакета батерии в зарядното устройство,
когато е изключено от електрозахранването.

Как да включите аксесоарите

Патронник



Crowfoot



Включете аксесоар в изхода с бързо освобождаване,
както е показано, и задайте Pset към него.

Стартиране на инструмента

Снабдете инструмента с подходящ патронник.

Изберете подходящия Pset.

Дръжте инструмента за захвата и го поставете върху скрепителния елемент, който трябва да бъде затегнат.

⚠ ПРЕДУПРЕЖДЕНИЕ Риск от наранявания

Тъй като реактивната сила се увеличава пропорционално на затягащия въртящ момент, съществува риск от сериозни телесни наранявания на оператора в резултат на неочаквано поведение на инструмента.

- ▶ Уверете се, че инструментът е в отлично състояние за работа и системата е програмирана правилно.

Натиснете пусковото устройство за стартиране на
инструмента.

Обръщане на въртенето



- 1 Натиснете бутона за обратна посока

Натиснете този бутон.

Червените и зелените светодиоди светят с редуване.

Поставете инструмента върху скрепителния елемент и
натиснете пусковото устройство.

Общи инструкции за сервизно обслужване и безопасност при поддръжка

Винаги дръжте контролера изключен по време на сервизно обслужване, за да избегнете неочаквано стартиране.

Обслужването трябва да се извършва само от квалифициран персонал.

Инструкции за почистване

Почиствайте частите с влажна кърпа. Използвайте само вода, не използвайте почистващи материали, които съдържат разтворители.

Свържете се с вашия сервизен техник на Desoutter за инструкции за почистване съгласно настоящите препоръки и относно вашия конкретен инструмент.

Общи предупреждения за безопасност на електрически инструменти

⚠ ПРЕДУПРЕЖДЕНИЕ Прочетете всички предупреждения, инструкции, илюстрации и спецификации по отношение на безопасността, предоставени с настоящия електронинструмент.

Неспазването на всички инструкции, описани по-долу, може да доведе до токов удар, пожар и/или сериозни наранявания.

Съхранете всички предупреждения и инструкции за бъдещи справки.

Терминът “електронинструмент”, използван в предупрежденията, се отнася до Вашия захранван от електрическата мрежа (с кабел) електронинструмент или захранван от батерии (без кабел) електронинструмент.

Безопасност на работното място

- **Поддържайте работното място чисто и добре осветено.** Безпорядъкът или недостатъчно осветените участъци са предпоставка за злополуки.
- **Не използвайте електронинструментите в експлозивна атмосфера като например при наличие на запалителни течности, газове или прах.** Електронинструментите образуват искри, които могат да възпламенят праха или газовете.
- **Дръжте децата и намиращите се в близост лица далече по време на работа на електронинструмента.** Отклоняването на вниманието може да доведе до изгубване на контрол от Ваша страна.

Електрическа безопасност

- **Щепселите на електронинструментите трябва да съответстват на контактите. Никога по никакъв начин не модифицирайте щепсела. Не използвайте никакви преходници-щепсели със заземени електронинструменти.** Немодифицираните щепсели и съответстващите контакти намаляват риска от токов удар.
- **Избягвайте контакта на тялото със заземени повърхности като тръби, радиатори, печки и хладилници.** Съществува повишен риск от токов удар, ако тялото Ви е заземено.
- **Не излагайте електронинструментите на дъжд или мокра среда.** Проникването на вода в електронинструмента ще повиши риска от токов удар.
- **Не повреждайте захранващия кабел. Никога не използвайте кабела за носене, дърпане или изключване на електронинструмента. Дръжте кабела далече от топлина, масло, остри ръбове или движещи се части.** Повредените или заплетени кабели увеличават риска от токов удар.
- **Когато използвате електронинструмента за работа на открито, използвайте подходящ за работа на открито удължител.** Използването на подходящ за работа на открито удължител намалява риска от токов удар.

- **В случай че работата с електронинструмента във влажна среда е неизбежна, използвайте захранване от устройство за диференциалнотокова защита (RCD).** Използването на устройство за диференциалнотокова защита намалява риска от токов удар.

Лична безопасност

- **Бъдете бдителни, наблюдавайте действията си и проявявайте благоразумие, когато работите с електронинструмент. Не използвайте електронинструменти, когато сте уморени или се намирате под влиянието на опиати, алкохол или медикаменти.** Момент на невнимание по време на работа с електронинструменти може да доведе до сериозни телесни наранявания.
- **Използвайте лични предпазни средства. Винаги носете защитни средства за очите.** Защитните средства като прахозащитна маска, неплъзгащи се защитни обувки, твърда шапка или защитно средство срещу шум, използвани при съответните условия, намаляват телесните наранявания.
- **Предотвратете неволното стартиране. Уверете се, че прекъсвачът се намира в изключено положение, преди да свържете инструмента с източника на електрозахранване и/или пакета батерии, преди да го вземете или носите.** Носенето на електронинструмента с пръст върху прекъсвача или свързването на инструмент с прекъсвач във включено положение към източник на захранване е предпоставка за злополуки.
- **Отстранете всички затягащи ключове или гаечни ключове, преди да включите електронинструмента.** Гаечен ключ или ключ, прикрепен към въртяща се част на електронинструмента, може да доведе до телесни наранявания.
- **Не се пресягайте. Поддържайте стабилен стоеж и равновесие през цялото време.** Това позволява по-добър контрол върху електронинструмента в непредвидени ситуации.
- **Носете подходящо облекло. Не носете широки дрехи или бижута. Дръжте косата и облеклото си далеч от въртящите се части.** Широките дрехи, бижутата или дългата коса могат да бъдат захванати от движещите се части.
- **При наличие на приспособления за засмукване и събиране на прах се уверете, че те са свързани и се употребяват правилно.** Използването на приспособления за събиране на прах може да намали свързаните с прах опасности.
- **Не позволявайте опитът, придобит от честата употреба на инструментите, да доведе до самонадеяност и да Ви накара да игнорирате принципите за безопасност по отношение на инструмента.** Едно нехайно действие може да причини тежки наранявания за част от секундата.
- **Дръжте електрическия инструмент за изолираните повърхности за хващане, когато изпълнявате работни дейности, при които**

скрепителният елемент може да влезе в контакт със скрити електрически проводници или собствения си кабел. Контактът на скрепителния елемент с оголен проводник може да зареди с електричество изложените метални части на електрическия инструмент и да причини електрически шок на оператора.

Употреба и обслужване на електроинструмента

- **Не претоварвайте електроинструмента.** Използвайте правилния електроинструмент за Вашата задача. Правилният електроинструмент ще работи по-добре и по-безопасно при режима на работа, за който е проектиран.
- **Не използвайте електроинструмента, ако не може да се включва или изключва с помощта на прекъсвача.** Всеки електроинструмент, който не може да се контролира с помощта на прекъсвач, е опасен и трябва да бъде ремонтиран.
- **Извадете щепсела от електрозахранването и/или отстранете пакета батерии, ако е възможно, от електроинструмента, преди да извършите каквито и да е действия по настройките, смяна на аксесоарите и съхранението на електроинструментите.** Тези превантивни мерки за безопасност намаляват риска от неволно стартиране на електроинструмента.
- **Съхранявайте неизползваните електроинструменти далеч от обсега на деца и не позволявайте на лица, които не са запознати с електроинструмента или настоящите инструкции, да работят с него.** Електроинструментите са опасни в ръцете на необучени потребители.
- **Поддържайте електроинструментите и аксесоарите.** Проверявайте за разместване или заклиняване на движещите се части, счупване на части и всякакво друго състояние, което може да повлияе на работата на електроинструмента. В случай на повреда електроинструментът трябва да бъде ремонтиран преди последваща употреба. Много злополуки се дължат на лошо поддържани електроинструменти.
- **Поддържайте режещите инструменти остри и чисти.** Правилно поддържаните режещи инструменти с остри режещи ръбове заклиняват по-рядко и са по-лесни за контролиране.
- **Използвайте електроинструмента, аксесоарите и частите на инструмента съгласно настоящите инструкции, съобразявайки се с условията за работа и дейността, която трябва да бъде извършена.** Използването на електроинструмента за операции, различни от предвидените, може да доведе до опасна ситуация.
- **Поддържайте ръкохватките и повърхностите за хващане сухи, чисти и незамърсени от масла и смазки.** Хлъзгавите ръкохватки и повърхности за хващане не позволяват безопасна работа и контрол върху инструмента в непредвидени ситуации.

Употреба и обслужване на инструмент, захранван с батерии

- **Зареждайте само със зарядното устройство, указано от производителя.** Зарядно устройство, подходящо за един вид пакет батерии, може да създаде риск от пожар, когато се използва с друг пакет батерии.
- **Използвайте електроинструментите само с предназначения за тях пакети батерии.** Използването на всякакви други пакети батерии може да създаде риск от наранявания и пожар.
- **Когато пакетът батерии не е в употреба, го съхранявайте далеч от други метални предмети като напр. кламери, монети, ключове, пирони, винтове или други малки метални предмети, които могат да осъществят връзка между едната и другата клемма.** Събирането на клемите на батериите заедно "на късо" може да причини изгаряния или пожар.
- **При условия на злоупотреба от батерията може да се отдели течност; избягвайте контакта.** В случай на случаен контакт изплакнете обилно с вода. Ако течността попадне в контакт с очите, потърсете също така медицинска помощ. Отделената от батерията течност може да причини възпаление или изгаряния.
- **Не използвайте пакет батерии или уред, който е повреден или модифициран.** Повредените или модифицирани батерии могат да имат непредсказуемо поведение, което да доведе до пожар, експлозия или риск от нараняване.
- **Не излагайте пакета батерии или инструмента на огън или прекомерно висока температура.** Излагането на огън или температура над 130 °C може да предизвика експлозия.
- **Следвайте всички инструкции за зареждане и не зареждайте пакета батерии или инструмента извън температурния обхват, указан в инструкциите.** Неправилното зареждане или зареждането при температури извън указания обхват може да повреди батерията и да увеличи риска от пожар.

Обслужване

- **Обслужването на електроинструмента трябва да се извършва от квалифицирано лице с използването само на оригинални резервни части.** Това ще гарантира поддържането на безопасността на електроинструмента.
- **Никога не поправяйте повредени пакети батерии.** Поддръжката на пакетите батерии трябва да се извършва само от производителя или от упълномощени сервиси.

Знаци и стикери

Продуктът разполага със знаци и стикер, съдържащи важна информация за лична безопасност и поддръжка на продукта. Знаците и стикерите трябва винаги да бъдат лесни за четене. Могат да бъдат поръчани нови знаци и стикери чрез списъка на резервните части.

**WARNING**

s011050

Полезна информация

Уебсайт

Информация относно нашите продукти, аксесоари, резервни части и публикации можете да намерите на уебстраницата на Desoutter.

Моля, посетете: www.desouttertools.com.

Информация свързана с ръководството за монтаж

Подробни инструкции за работа, ръководства за инсталация и модернизиране можете да намерите на <https://www.desouttertools.com/resource-centre>.

Информация за резервни части

Схематични чертежи и списък с резервните части са на разположение на Линка за Услуги www.desouttertools.com.

Произход на продукта

France

Информационни листи за безопасност MSDS/SDS

Страниците с данните, свързани с безопасността, описват химическите продукти, продавани от Desoutter.

Моля, консултирайте се с уебстраницата на Desoutter за допълнителна информация <https://www.desouttertools.com/legal/sds>.

Авторско право

© Copyright 2022, Ets Georges Renault, 38 rue Bobby Sands, 44818 Saint Herblain, France

Всички права запазени. Забранява се всяко неразрешено използване или копиране на съдържанието или част от него. Това се отнася в частност за търговски марки, названия на модела, номера на части и чертежи. Използвайте само оригинални резервни части. Повреди или неизправности вследствие на употреба на неоригинални части не се покриват от гаранцията или отговорността за вреди, причинени от продукта.

Tehnički podaci

Tehnički podaci

Напон (V)

36 V

Izlazni pogon

Model	Tip
EABA26-560-QRX	Izlaz s brzim oslobađanjem
EABA32-410-QRX	Izlaz s brzim oslobađanjem
EABA45-330-QRX	Izlaz s brzim oslobađanjem
EABA50-450-QRX	Izlaz s brzim oslobađanjem
EABA60-370-QRX	Izlaz s brzim oslobađanjem
EABA75-300-QRX	Izlaz s brzim oslobađanjem
EABA95-240-QRX	Izlaz s brzim oslobađanjem

Raspon zakretnog momenta (Nm)

Model	Min. / Nominalno / Maks.
EABA26-560-QRX	5 / 24 / 26
EABA32-410-QRX	7 / 30 / 32
EABA45-330-QRX	9 / 40 / 45
EABA50-450-QRX	9 / 45 / 50
EABA60-370-QRX	10 / 55 / 60
EABA75-300-QRX	12 / 70 / 75
EABA95-240-QRX	19 / 90 / 95

Raspon zakretnog momenta (ft.lb)

Model	Min. / Nominalno / Maks.
EABA26-560-QRX	1,12 / 5,40 / 5,85
EABA32-410-QRX	1,57 / 6,74 / 7,19
EABA45-330-QRX	2,02 / 8,99 / 10,12
EABA50-450-QRX	2,02 / 10,12 / 11,24
EABA60-370-QRX	2,25 / 12,36 / 13,49
EABA75-300-QRX	2,70 / 15,74 / 16,86
EABA95-240-QRX	4,27 / 20,23 / 21,36

Nazivna brzina (okr/min)

Model	
EABA26-560-QRX	560
EABA32-410-QRX	410
EABA45-330-QRX	330
EABA50-450-QRX	450
EABA60-370-QRX	370
EABA75-300-QRX	300
EABA95-240-QRX	240

Težina

Model	(kg)	(lb)
EABA26-560-QRX	2,04	4,50
EABA32-410-QRX	2,04	4,50
EABA45-330-QRX	2,21	4,87
EABA50-450-QRX	2,49	5,49
EABA60-370-QRX	2,82	6,22
EABA75-300-QRX	3,42	7,54

Safety Information

Model	(kg)	(lb)
EABA95-240-QRX	3,46	7,63

i Težina je navedena bez baterijskog modula.

Uvjeti skladištenja i uporabe

Temperatura skladištenja	-20 do +70 °C (-4 do +158 F)
Radna temperatura	0 do 45 °C (32 do 113 F)
Vlažnost skladištenja	0 – 95 % RH (nekondenzirajuće)
Vlažnost u uvjetima rada	0 – 90 % RH (nekondenzirajuće)
Nadmorska visina do	2.000 m (6.562 stope)
Uporabljivo u okruženju	
Stupnja zagađenja 2	
Samo za uporabu u unutarnjem prostoru	

Specifikacije bežične komunikacije

RFID 13,56 MHz

Frekvencija	13,553 MHz - 13,567 MHz
H-polje	< 42 dBµA/m na 10 m u skladu s ETSI EN 300 330 v2.1.1

Izjave

Odgovornost

Mnogi događaji u radnoj okolini mogu utjecati na postupak pritezanja te zahtijevaju provjeru rezultata pritezanja. U skladu s primjenjivim normama i/ili propisima ovime zahtijevamo da provjerite instalirani okretni moment i smjer vrtnje nakon svakog događaja koji može utjecati na rezultate pritezanja. Primjeri takvih događaja uključuju, no ne ograničavaju se na navedeno u nastavku:

- početna ugradnja sustava alata
- promjena serije dijelova, svornjala, serije vijaka, alata, softvera, konfiguracije okoline
- promjena priključaka zraka ili električnih priključaka
- promjena ergonolije linije, procesa, postupaka ili prakse za osiguranje kvalitete
- promjena operatora
- bilo koja druga promjena koja utječe na rezultat postupka pritezanja

Provjera:

- Mora osigurati da se uvjeti spoja nisu promijenili uslijed događaja koji su na njega utjecali.
- Mora se provesti nakon početne instalacije, održavanja ili popravka opreme.
- Mora se provesti najmanje jednom u svakoj smjeni ili u drugoj prikladnoj učestalosti.

EU IZJAVA O SUKLADNOSTI

Mi, **Ets Georges Renault**, 38 rue Bobby Sands, 44818 Saint Herblain, France, izjavljujemo pod vlastitom odgovornošću da je proizvod (naziv, tip i serijski broj, vidi naslovnu stranu) u skladu sa sljedećom(im) direktivom(ama):
2006/42/EC, 2011/65/EU, 2014/53/EU

Primijenjene usklađene norme:

EN 62841-2-2 :2015+AC1 :2015 EN 61000-6-2 :2005 EN 61000-6-3 :2007+A1 :2011 EN 61326-2-3 :2006 EN 301 489-3 V2.1.1 EN 62311 :200

Nadležna tijela mogu zahtijevati relevantne tehničke podatke od:

Pascal ROUSSY, R&D Manager, 38 rue Bobby Sands, 44818 Saint Herblain, France

Saint Herblain, 2021/09/13

Pascal ROUSSY, R&D Manager

Potpis izdavatelja

Izjava o buci i vibracijama

- Razina zvučne snage < 70 dB(A) , neizvjesnost 3 dB(A), u skladu s EN 62841-2-2 : 2014.
- Ukupna vrijednost vibracije < 2.5 m/s², neizvjesnost 3 m/s², u skladu s EN 62841-2-2 : 2014.

Ovdje navedene vrijednosti dobivene su ispitivanjima u laboratoriju u skladu s navedenim normama i prikladne su za usporedbu s navedenim vrijednostima drugih alata ispitanih u skladu s istim normama. Razina emisije vibracija mogla bi se koristiti za pripremnu procjenu izloženosti. Ovdje navedene vrijednosti nisu prikladne za uporabu u analizama rizika, a vrijednosti izmjerene na pojedinačnim radnim mjestima mogu biti veće. Stvarne vrijednosti izlaganja i rizik od štetnosti koja može postojati za pojedinačnog korisnika su jedinstvene i ovisne o načinu rada korisnika, radnom komadu i konstrukciji radne stanice te o vremenu izlaganja i fizičkom stanju korisnika.

Mi, **Ets Georges Renault**, ne možemo se smatrati odgovornima za posljedice uporabe navedenih vrijednosti umjesto vrijednosti koje odražavaju stvarno izlaganje u pojedinačnoj procjeni rizika na radnom mjestu nad kojim nemamo nadzor.

Ovaj alat može izazvati sindrom vibriranja ruke ako se njime ne rukuje na odgovarajući način. Vodič EU-a o upravljanju vibriranjem ruke možete pronaći na stranici <http://www.pneurop.eu/index.php>: odaberite „Tools“ (Alati), a zatim „Legislation“ (Zakonodavstvo).

Preporučujemo program nadzora zdravlja da se uoče rani simptomi koji mogu biti povezani s izlaganjem buci ili vibracijama tako da se mogu izmijeniti postupci upravljanja vibracijama kako bi se spriječilo buduće oštećenje zdravlja.

i Ova oprema namijenjena je za postupke pričvršćivanja: Emisije buke navedene su kao vodič projektantima strojeva. Podaci o emisiji buke i vibracija za cijeli stroj trebaju se navesti u uputama za uporabu stroja.

WEEE

Informacije u vezi s **otpadnom električnom i elektroničkom opremom** (WEEE):

Ovaj proizvod i informacije o njemu u skladu su sa zahtjevima direktive/propisa WEEE (2012/19/EU) i mora se zbrinjavati u skladu s tom direktivom/propisima.

Proizvod je označen sljedećim simbolom:



Proizvodi označeni prekrštenim simbolom kante za smeće podcrtane jednom crnom crtom, sadrže dijelove sa kojima se mora rukovati u skladu sa WEEE direktivom/propisima. Cijeli proizvod ili dijelove označene s WEEE možete poslati u „Servisni centar” na odlaganje.

Informacije u vezi sa članom 33 Uredbe REACH

Europska uredba (EU) br. 1907/2006 o Registraciji, evaluaciji, autorizaciji i ograničavanju kemikalija (REACH) između ostalog definira zahtjeve vezane za komunikaciju u lancu opskrbe. Zahtjev za informacijama također se odnosi na proizvode koji sadrže takozvane tvari koje izazivaju veliku zabrinutost ("Popis kandidata"). 27. lipnja 2018. olovo (CAS br. 7439-92-1) je dodato na Popis kandidata.

U skladu s prethodnom napomenom, obavještavamo vas da određene električne i mehaničke komponente proizvoda mogu sadržati olovo. Ovo je u skladu s aktualnim propisima o ograničenju tvari i zasniva se na zakonskim izuzećima iz Direktive RoHS (2011/65/EU). Olovo iz proizvoda neće cureti ili mutirati tijekom normalne uporabe a koncentracija olova u gotovom proizvodu je znatno ispod primjenjive granične vrijednosti. Uzmite u obzir lokalne zahtjeve o zbrinjavanju olova na kraju životnog vijeka proizvoda.

Lokalni uvjeti

⚠ POZOR

Ovaj proizvod može vas izložiti kemikalijama, uključujući olovo, a prema državi Kaliforniji, olovo može prouzročiti rak i urođene mane ili druge probleme spolnog sustava. Za više informacija idite na

<https://www.p65warnings.ca.gov/>

Sigurnost

NE BACAJTE – PREDAJTE KORISNIKU

⚠ POZOR Uvijek se morate pridržavati lokalnih zakonskih sigurnosnih propisa o ugradnji, radu i održavanju.

Izjava o uporabi

- Samo za profesionalnu uporabu.
- Ovaj proizvod i njegov pribor ne smiju se mijenjati ni na koji način.

- Ne upotrebljavajte ovaj proizvod ako je bio oštećen.
- Ako podaci o proizvodu ili znakovi upozorenja o opasnosti na proizvodu više nisu čitljivi ili otpadnu, odmah ih zamijenite.
- Rukovanje proizvodom, te njegovo ugrađivanje i servisiranje je dozvoljeno samo kvalificiranom osoblju u industrijskom okruženju.

Predviđena namjena

Ovaj je proizvod namijenjen za ugradnju i uklanjanje navojnih vijaka iz drva, metala ili plastike. Nikakva druga uporaba nije dozvoljena. Samo za profesionalnu uporabu.

Koristite samo sljedeće Desoutter baterije.

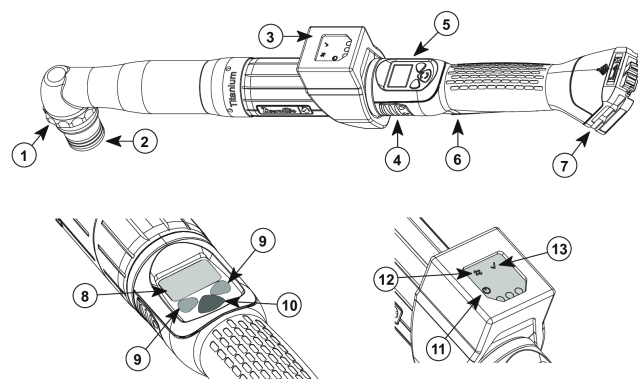
- Baterija 18 V 2,5 Ah, broj dijela 6158132660
- Baterija 36 V 2,5 Ah, broj dijela 6158132670

Baterija se smije puniti **samo** Desoutter punjačem baterija (6158132700).

Za cjelovite upute, pogledajte sigurnosne upute za punjač baterija (6159925310) a upute za proizvod dostupne su na više jezika na web-mjestu: <https://www.desouttertools.com/resource-centre>

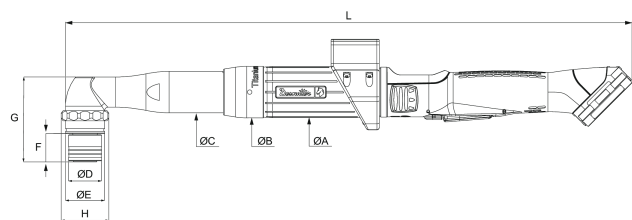
Upute specifične za proizvod

Opis proizvoda



- 1 Montažni adapter za Crowfoot
- 2 Brza spojka
- 3 Čitač QR kodova dodatne opreme
- 4 LED diode za obavještanje
- 5 Zaslon i gumbi
- 6 Okidač
- 7 Stopa baterije
- 8 Zaslon
- 9 Gumbi za programiranje
- 10 Gumb za obrnuti smjer
- 11 Pokazatelj koji prikazuje da je dodatna oprema uključena.
- 12 Čitanje/pisanje je u tijeku
- 13 Dodijeljeni Pset je spreman.

Dimenzije (mm)



Model	L	ØA	ØB
EABA26-560-QRX	496	46	46
EABA32-410-QRX	496	46	46
EABA45-330-QRX	506	46	46
EABA50-450-QRX	546	46	46
EABA60-370-QRX	559	46	58
EABA75-300-QRX	582	46	58
EABA95-240-QRX	582	46	58

Model	ØC	D	E
EABA26-560-QRX	37	25	28
EABA32-410-QRX	37	25	28
EABA45-330-QRX	37	30	35
EABA50-450-QRX	37	30	35
EABA60-370-QRX	41	33	40
EABA75-300-QRX	49	34	43
EABA95-240-QRX	49	34	43

Model	F	G	H
EABA26-560-QRX	22	68	35
EABA32-410-QRX	22	68	35
EABA45-330-QRX	25	76	44
EABA50-450-QRX	25	76	44
EABA60-370-QRX	27	85	49
EABA75-300-QRX	28	88	52
EABA95-240-QRX	28	88	52

Opća sigurnost pri ugradnji

Povjerite ugradnju samo kvalificiranom osoblju.

Čvrsto objesite alat, na primjer upotrebom podupirača. Kada upotrebljavate ovjesni držač, provjerite da je u dobrom stanju i ispravno pričvršćen.

Za žične alate: Sustav uvijek spojite na uzemljenu utičnicu. Uvijek pazite da odspojite mrežni utikač i da isključite upravljač prije spajanja ili odspajanja kabela za alat.

Opća radna sigurnost

- **Zbog opasnosti od zaplitanja, ne nosite rukavice.**
- **Pripremite se na silu reakcije koja se pojavljuje pri uporabi alata.** Ručku alata uvijek poduprite na siguran način, u smjeru suprotnom od rotacije osovine, da biste smanjili efekte iznenadne zakretne reakcije tijekom završnog zatezanja i početnog otpuštanja.

- **Nikada ne držite pogon, nastavak ili produžetak pogona.**
- **Rukovatelji i osoblje za održavanje moraju biti u stanju fizički podnijeti veličinu, težinu i snagu ovog alata.**
- **Po mogućnosti upotrijebite ovjesnu ruku da apsorbira zakretnu reakciju.** Ako to nije moguće, preporučujemo bočne ručke za alate s ravnim kućištem i pištoljastom drškom; preporučujemo reakcijske držače za kutne zatezače matica. Preporučujemo da za reakcijski moment veći od 4 Nm (3 lbf.ft) u slučaju alata s ravnim kućištem, veći od 10 Nm (7,5 lbf.ft) u slučaju alata s pištoljastom drškom, odnosno veći od 60 Nm (44 lbf.ft) u slučaju kutnih zatezača matica upotrijebite neku metodu apsorpcije.
- **Zbog prejako ili preslabo zategnutih stezača može doći do teške ozljede.** Sklopovi koji zahtijevaju određeni moment moraju se provjeravati momentnim ključem. Takozvani "klik" momentni ključevi ne provjeravaju potencijalno opasna stanja prevelike zategnutosti. Prejako ili preslabo zategnuti stezači mogu puknuti, otpustiti se ili razdvojiti. Otpušteni sklopovi mogu postati projektili.
- **Koristite samo pneumatske ili udarne ključeve u dobrom stanju.** Nemojte koristiti ručne nastavke.
- **Kada upotrebljava pneumatski alat, rukovatelj može osjetiti neugodu u rukama, ramenima, vratu ili drugim dijelovima tijela.** Mijenjajte odgovarajuće položaje tijekom radnog dana, zadržavajući siguran stav i izbjegavajući neprikladne položaje ili položaje koji su van ravnoteže.
- **Radni pokreti koji se ponavljaju, neugodni položaji i izloženost vibracijama mogu biti štetni za šake i ruke.** Ako se pojavi ukočenost, zujanje u ušima, bol ili bijeljenje kože, prestanite s uporabom alata i potražite savjet liječnika.
- **Obratite pažnju kada radite u tijesnim prostorima.** Pazite da ne prignječite ruke između alata i radnog komada.
- **Visoke razine zvuka mogu prouzročiti trajno oštećenje sluha.** Upotrijebite zaštitu za uši prema preporukama poslodavca ili u skladu s propisima o sigurnosti na radu i zaštiti zdravlja.
- **Pazite da radni komad bude dobro pričvršćen.**
- **U nepoznatim sredinama radite pažljivo.** Vodite računa o mogućim opasnostima koje možete izazvati svojim radom. Ovaj alat nije izoliran u slučaju kontakta s izvorima električnog napajanja.

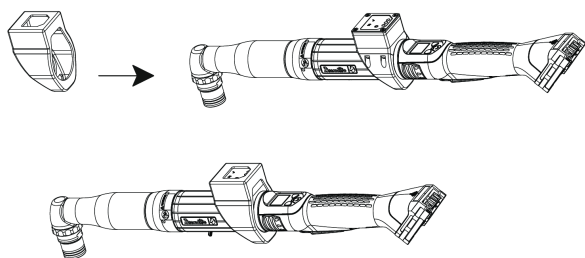
Alati koji se koriste zajedno s reakcijskom šipkom:

Nikada ne stavljajte ruku na reakcijski držač ili blizu njega dok upotrebljavate alat. Budite svjesni smjera okretanja vretena prije nego što pokrenete alat zato što sila reakcije može djelovati u neočekivanom smjeru i postoji opasnost od nagnječenja.

Za alate koji sadrže spojku: Odmah nakon podešavanja spojke provjerite pravilnost rada.

Kako montirati poklopac na čitač

- i** Izuzetno se preporučuje montiranje poklopca isporučenog u pakiranju radi zaštite čitača od udara i oštećenja.



Pomjerite poklopac na alatu.
Snažno ga gurnite preko čitača.

Umetanje baterijskog sklopa



Umetnite baterijski sklop ispred ili iza alata dok se jasno ne začuje zvuk zaključavanja.

Nema prekidača za UKLJUČIVANJE/ISKLJUČIVANJE: alat je spreman za rad čim je postavljen baterijski sklop.

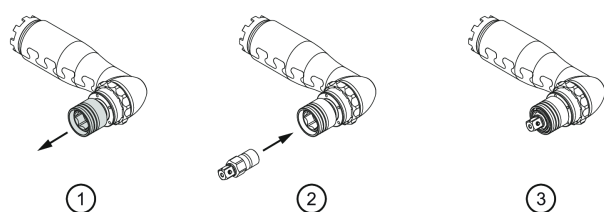
Kada je alat uključen, LED diode na alatu trepću.

NAPOMENA Preporuke za uporabu baterijskih sklopova
Osigurajte dulji vijek trajanja baterijskog sklopa.

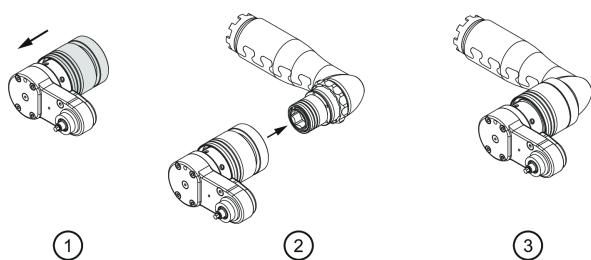
- ▶ Iskopčajte baterijski sklop kada se alat ne koristi.
Nemojte ostaviti baterijski sklop na punjaču kada je napajanje punjača isključeno.

Kako priključiti dodatnu opremu

Utičnica



Crowfoot



Priključite dio na brzu spojku kao što je prikazano i dodijelite mu Pset.

Pokretanje alata

Opskrbite alat odgovarajućom utičnicom.

Izaberite odgovarajući Pset.

Držite alat za ručku i postavite ga na vijak da bi se zategao.

⚠ POZOR Opasnost od ozljeda

Kako se sila reakcije povećava razmjerno momentu pritezanja, postoji opasnost od teških tjelesnih ozljeda rukovaoaca uslijed neočekivanog ponašanja alata.

- ▶ Uvjerite se da je alat u besprijekornom stanju i da je sustav ispravno programiran.

Pritisnite okidač za pokretanje alata.

Kako da obrnete smjer rotacije



1 Pokrenite gumb za obrnuti smjer

Pritisnite ovaj gumb.

Crvena i zelena LED dioda naizmjenično trepću.

Postavite alat na vijak i pritisnite okidač.

Opće serviranje i sigurnost pri održavanju

Uvijek držite upravljač isključenim tijekom servisiranja kako bi se izbjeglo neočekivano pokretanje.

Povjerite servisiranje samo kvalificiranom osoblju.

Upute za čišćenje

Dijelove očistite vlažnom krpom. Smije se koristiti samo voda, ne treba koristiti sredstva koja sadrže otapala.

Obratite se servisnom tehničaru tvrtke Desoutter radi savjeta o čišćenju prema trenutačnim preporukama osobito za vaš alat.

Opća sigurnosna upozorenja o električnim alatima

⚠ POZOR Pročitajte sva sigurnosna upozorenja, sve upute, ilustracije i specifikacije isporučene uz ovaj električni alat.

Ako se ne pridržavate svih dolje navedenih uputa, može doći do strujnog udara, požara i/ili teške ozljede.

Spremite sva upozorenja i sve upute za buduću uporabu.

Izraz „električni alat” u upozorenjima odnosi se na električni alat pogonjen mrežnim naponom (žični) ili na električni alat na baterijski pogon (bežični).

Sigurnost radnog područja

- Radni prostor održavajte čistim i dobro osvijetljenim. Neuredna ili neosvijetljena područja mogu biti izvor nesreće.

Safety Information

- **Ne radite s električnim alatima u eksplozivnim atmosferama, npr. u prisutnosti zapaljivih tekućina, plinova ili prašine.** Električni alati mogu stvarati iskre koje mogu zapaliti prašinu ili pare.
- **Tijekom rada s električnim alatom djecu i promatrače držite podalje.** Odvlačenje vaše pažnje može uzrokovati gubitak kontrole nad alatom.

Električna sigurnost

- **Utikači električnih alata moraju odgovarati utičnici.** Nikad ne vršite nikakve izmjene utikača. Ne upotrebljavajte adapterske utikače s uzemljenim električnim alatima. Neizmijenjeni utikači i odgovarajuće utičnice smanjuju rizik od električnog udara.
- **Izbjegavajte fizički kontakt s uzemljenim površinama kao što su npr. cijevi, radijatori, štednjaci i hladnjaci.** Postoji povećani rizik od strujnog udara ako je tijelo uzemljeno.
- **Ne izlažite električne alate kiši ili vlazi.** Voda koja prodire u alat povećava rizik od strujnog udara.
- **Ne djelujte silom na kabel.** Nikada ne upotrebljavajte kabel za nošenje, vuču ili izvlačenje utikača električnog alata. **Držite kabel daleko od topline, ulja, oštih rubova ili pokretnih dijelova.** Oštećeni ili zapetljani kabeli povećavaju rizik od strujnog udara.
- **Kad s električnim alatima radite vani upotrijebite produžni kabel prikladan za vanjsku uporabu.** Korištenje kabela prikladnog za vanjsku uporabu smanjuje rizik od električnog udara.
- **Ako ne možete izbjeći rad s električnim alatom na vlažnom mjestu, upotrijebite napajanje opremljeno zaštitnom strujnom sklopkom (FID).** Primjena zaštitne strujne sklopke (FID) smanjuje rizik od električnog udara.

Osobna sigurnost

- **Budite uvijek oprezni, gledajte što radite i budite razboriti prilikom rada s električnim alatom.** Ne koristite električni alat kad ste umorni ili pod utjecajem narkotika, alkohola ili lijekova. Trenutak nepažnje pri radu s električnim alatom može rezultirati teškom tjelesnom ozljedom.
- **Upotrijebite osobnu zaštitnu opremu. Uvijek nosite zaštitne naočale.** Zaštitna oprema kao što je maska za prašinu, protuklizne zaštitne cipele, kaciga ili zaštita sluha primijenjena u odgovarajućim uvjetima smanjuje ozljede.
- **Spriječite nenamjerno pokretanje. Provjerite je li sklopka u položaju "Isključeno" prije nego što spojite alat na izvor napajanja i/ili na baterije, prije podizanja ili nošenja alata.** Nošenje električnih alata s prstom na sklopki ili priključivanje napajanja na električne alate kod kojih je sklopka u položaju "Uključeno" može uzrokovati nesreće.
- **Uklonite sve ključeve za podešavanje ili francuske ključeve prije uključivanja alata.** Francuski ključ ili ključ koji ostane pričvršćen za rotirajući dio alata može rezultirati tjelesnom ozljedom.

- **Nemojte se predaleko naginjati. Uvijek održavajte čvrsto uporište i stabilan stav.** To vam omogućuje bolju kontrolu električnog alata u neočekivanim situacijama.
- **Nosite prikladnu odjeću. Ne nosite široku odjeću ili nakit. Držite kosu i odjeću podalje od pokretnih dijelova.** Široka odjeća, nakit i duga kosa može biti zahvaćena pokretnim dijelovima.
- **Ako su uređaji opremljeni priključkom za uređaje za odvođenje i prikupljanje prašine, osigurajte njihovo priključivanje i pravilnu uporabu.** Uporaba uređaja za prikupljanje prašine može smanjiti opasnosti u vezi s prašinom.
- **Nemojte dozvoliti da vam poznavanje alata, uslijed njegova čestog korištenja, dade lažnu sigurnost na način da zanemarite načela sigurnog rada s alatom.** Nepažljiva radnja može dovesti do teške ozljede u djeliću sekunde.
- **Držite električni alat za izolirane prihvatne površine pri izvođenju operacija gdje vijak može doći u kontakt sa skrivenim ožičenjem ili vlastitim kabelom.** Vijci u dodiru sa žicom pod naponom mogu i metalne dijelove električnog alata staviti pod napon i uzrokovati strujni udar.

Uporaba i održavanje električnih alata

- **Nemojte primjenjivati prejaku silu na električni alat. Upotrijebite električni alat koji odgovara vašem zadatku.** Odgovarajući električni alat će bolje i sigurnije obaviti posao pri brzini za koju je predviđen.
- **Ne upotrebljavajte električni alat ako se sklopka ne uključuje i isključuje.** Svaki električni alat koji se ne može kontrolirati pomoću sklopke je opasan i treba ga popraviti.
- **Izvučite utikač iz utičnice napajanja i/ili baterije, ako se može odvojiti, prije vršenja bilo kakvih namještanja, promjene dodatne opreme ili skladištenja električnog alata.** Takve preventivne sigurnosne mjere smanjuju rizik od slučajnog pokretanja električnog alata.
- **Električne alate koje ne upotrebljavate skladištite na mjestu nedostupnom djeci i ne dopuštajte osobama koje nisu upoznate s radom električnog alata ili ovim uputama da rukuju električnim alatom.** Električni alati su opasni u rukama neosposobljenih korisnika.
- **Održavajte električne alate i pribor. Provjerite otklon ili zaglavljeno pokretnih dijelova, lom dijelova ili druga stanja koja mogu utjecati na rad električnog alata. Ako je električni alat oštećen, dajte ga popraviti prije uporabe.** Mnoge nesreće su uzrokovane loše održanim električnim alatom.
- **Održavajte alate za rezanje oštima i čistima.** Vjerojatnost blokiranja pravilno održanih alata za rezanje s oštrim reznim rubovima je manja i lakše ih je kontrolirati.
- **Upotrijebite električni alat, dodatnu opremu i nastavke, itd. u skladu s tim uputama, uzimajući u obzir radne uvjete i rad koji treba izvršiti.** Uporaba električnog alata za radove koji odstupaju od predviđenih može uzrokovati opasnu situaciju.

- **Ručke i prihvatne površine održavajte suhima, čistima i podalje od ulja i masnoća.** Klizave ručke i prihvatne površine ne omogućavaju sigurno rukovanje i kontrolu nad alatom u neočekivanim situacijama.

Uporaba i njega alata na bateriju

- **Punite samo punjačem koji je naveo proizvođač.** Punjač prikladan za jednu vrstu baterija može predstavljati rizik od požara ako se rabi s drugom vrstom baterija.
- **Upotrebljavajte električne alate samo s navedenim baterijama.** Uporaba drugih baterija može stvoriti rizik od ozljede i požara.
- **Kada se baterija ne upotrebljava, držite je podalje od drugih metalnih predmeta poput spajalica za papir, kovanica, ključeva, čavala, vijaka ili drugih malih metalnih predmeta koji mogu spojiti jedan terminal s drugim.** Kratko spajanje terminala baterije može izazvati opekline ili požar.
- **U uvjetima zloupotrebe, tekućina može prskati iz baterije i stoga izbjegavajte kontakt. Ako dođe do slučajnog kontakta, isperite vodom. Ako tekućina dođe u kontakt s očima, zatražite i liječničku pomoć.** Tekućina koja prska iz baterije može izazvati nadraženost ili opekline.
- **Nemojte koristiti baterije ili alat koji su oštećeni ili modificirani.** Oštećene ili modificirane baterije mogu nepredviđeno reagirati i dovesti do požara, eksplozije ili rizika po nastanak ozljeda.
- **Nemojte izlagati baterije ili alat požaru ili previsokoj temperaturi.** Izlaganje požaru ili temperaturi iznad 130 °C može prouzročiti eksploziju.
- **Slijedite svije upute za punjenje i nemojte puniti baterije ili alat izvan raspona temperature određenog u uputama.** Nepravilno punjenje, ili punjenje pri temperaturama izvan određenog raspona, može oštetiti bateriju i povećati rizik od požara.

Servis

- **Električni alat predajte na servisiranje osobi kvalificiranoj za vršenje popravki uz uporabu identičnih rezervnih dijelova.** To će osigurati održavanje sigurnosti električnog alata.
- **Nemojte nikada servisirati oštećene baterije.** Servisiranje baterija trebao bi obavljati isključivo proizvođač ili ovlašteni serviser.

Znakovi i naljepnice

Proizvod ima znakove i naljepnice koje sadrže važne informacije o osobnoj sigurnosti i održavanju proizvoda. Znakovi i naljepnice uvijek moraju biti dobro čitljivi. Možete naručiti nove znakove i naljepnice u skladu s popisom zamjenskih dijelova.



s011050

Korisne informacije

Web stranica

Informacije o proizvodima, priboru, zamjenskim dijelovima i izdanjima možete pronaći na našoj internetskoj stranici Desoutter.

Posjetite web mjesto: www.desouttertools.com.

Informacije priručnicima za instalaciju

Detaljne upute za rad, ugradnju i nadogradnju su dostupne na web mjestu <https://www.desouttertools.com/resource-centre>.

Informacije o rezervnim dijelovima

Schematski prikazi i popisi rezervnih dijelova nalaze se u odjeljku Service Link (servis) na adresi www.desouttertools.com.

Zemlja podrijetla

France

Sigurnosno-tehnički listovi MSDS/SDS

Sigurnosno-tehnički list opisuje kemijske proizvode koje prodaje Desoutter.

Za više informacija o tvrtki Desoutter posjetite web stranicu <https://www.desouttertools.com/legal/sds>.

Autorsko pravo

© Autorsko pravo 2022, Ets Georges Renault, 38 rue Bobby Sands, 44818 Saint Herblain, France

Sva su prava pridržana. Zabranjena je svaka neovlaštena uporaba ili kopiranje sadržaja ili njegovog dijela. To se posebno odnosi na zaštitne znakove, oznake modela, brojeve dijelova i crteže. Upotrebljavajte samo odobrene dijelove. Jamstvo ili odgovornost za proizvod ne obuhvaćaju bilo kakva oštećenja ili kvarove izazvane uporabom neodobrenih dijelova.

Tehnilised andmed

Tehnilised andmed

Pinge (V)

36 V

Väljundajam

Mudel	Tüüp
EABA26-560-QRX	Kiirkinnitiga pesa
EABA32-410-QRX	Kiirkinnitiga pesa
EABA45-330-QRX	Kiirkinnitiga pesa
EABA50-450-QRX	Kiirkinnitiga pesa
EABA60-370-QRX	Kiirkinnitiga pesa

Safety Information

Mudel	Tüüp
EABA75-300-QRX	Kiirkinnitiga pesa
EABA95-240-QRX	Kiirkinnitiga pesa

Pöördemomendi vahemik (Nm)

Mudel	Min / nimiväärtus / max
EABA26-560-QRX	5 / 24 / 26
EABA32-410-QRX	7 / 30 / 32
EABA45-330-QRX	9 / 40 / 45
EABA50-450-QRX	9 / 45 / 50
EABA60-370-QRX	10 / 55 / 60
EABA75-300-QRX	12 / 70 / 75
EABA95-240-QRX	19 / 90 / 95

Pöördemomendi vahemik (jalga naela kohta)

Mudel	Min / nimiväärtus / max
EABA26-560-QRX	1,12 / 5,40 / 5,85
EABA32-410-QRX	1,57 / 6,74 / 7,19
EABA45-330-QRX	2,02 / 8,99 / 10,12
EABA50-450-QRX	2,02 / 10,12 / 11,24
EABA60-370-QRX	2,25 / 12,36 / 13,49
EABA75-300-QRX	2,70 / 15,74 / 16,86
EABA95-240-QRX	4,27 / 20,23 / 21,36

Nimikiirus (p/min)

Mudel	
EABA26-560-QRX	560
EABA32-410-QRX	410
EABA45-330-QRX	330
EABA50-450-QRX	450
EABA60-370-QRX	370
EABA75-300-QRX	300
EABA95-240-QRX	240

Kaal

Mudel	(kg)	(naela)
EABA26-560-QRX	2,04	4,50
EABA32-410-QRX	2,04	4,50
EABA45-330-QRX	2,21	4,87
EABA50-450-QRX	2,49	5,49
EABA60-370-QRX	2,82	6,22
EABA75-300-QRX	3,42	7,54
EABA95-240-QRX	3,46	7,63

 Kaal on antud ilma akuta.

Hoiu- ja kasutustingimused

Hoiukoha temperatuur	-20 kuni +70 °C (-4 kuni +158 F)
Töötemperatuur	0 kuni 45 °C (32 kuni 113 F)
Hoiukoha õhuniiskus	Suhteline niiskus 0 kuni 95%, mittekondenseeruv
Töökeskkonna niiskus	Suhteline niiskus 0 kuni 90%, mittekondenseeruv
Kõrgus merepinnast kuni	2000 m (6562 jalga)
Kasutatav keskkonnas saasteastmega 2	
Kasutamiseks ainult siseruumis	

Traadita side tehnilised andmed

RFID 13,56 MHz

Sagedus	13,553 MHz kuni 13,567 MHz
H-väli	< 42 dB μ A/m 10 m juures vastavalt standardile ETSI EN 300 330 v2.1.1

Deklaratsioon

Vastutus

Paljud kasutuskeskkonnas aset leidvad sündmused võivad pingutusprotsessile mõju avaldada ja nõuda tulemuste üle kontrollimist. Kooskõlas kehtivate standardite ja/või regulatsioonidega nõuame käesolevaga, et te kontrolliks paigaldatud väändejõudu ja pöörlemissuuna üle pärast iga sellist sündmust, mis võiks pingutustulemust mingil moel mõjutada. Seliste sündmuste hulka kuuluvad muuhulgas, kuid mitte ainult:

- tööriistasüsteemi algne paigaldamine
- osapartii, poldi, kruvipartii, tööriista, tarkvara, konfiguratsiooni või keskkonna muutus
- õhu- või elektriühenduste muutus
- muutus liini ergonoomikas, protsessis, kvaliteediprotse- duurides või -praktikates
- operaatori vahetamine
- kõik muud muudatused, mis mõjutavad pingutusprot- sessi tulemust

Kontrollimine peab:

- Tagama, et mõjutavate sündmuste tulemusel ei tohi ühendustingimused muutuda.
- Olema tehtud pärast seadmete algset paigaldamist, hooldamist või remonti.
- Toimuma vähemalt üks kord vahetuse jooksul või mõne muu sobiva sagedusega.

EL-I VASTAVUSDEKLARATSIOON

Meie, Ets Georges Renault, 38 rue Bobby Sands, 44818 Saint Herblain, France, deklareerime oma täielikul vastutusel, et toode (mille nime, tüübi ja seerianumbri leiaste esilehelt) on vastavuses järgmis(t)e direktiivi(de)ga: 2006/42/EÜ, 2011/65/EL, 2014/53/EL

Kohalduvad ühtlustatud standardid:

EN 62841-2-2:2015+AC1:2015 EN 61000-6-2:2005 EN 61000-6-3:2007+A1:2011 EN 61326-2-3:2006 EN 301489-3 V2.1.1 EN 62311:200

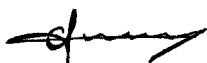
Ametiasutused võivad nõuda asjakohast tehnilist teavet, mille peab saatma:

Pascal ROUSSY, R&D Manager, 38 rue Bobby Sands, 44818 Saint Herblain, France

Saint-Herblain, 2021/09/13

Pascal ROUSSY, R&D Manager

Väljaandja allkiri



Müra- ja vibratsioonialane deklaratsioon

- Helivõimsuse tase < 70 dB(A) , määramatus 3 dB(A) kooskõlas standardiga EN 62841-2-2 : 2014.
- Vibratsiooniväärtus < 2.5 m/s², määramatus 3 m/s², kooskõlas standardiga EN 62841-2-2 : 2014.

Nimetatud deklareeritud väärtused saadi laboritüüpi katsetuste käigus kooskõlas nimetatud standarditega ja asjaomaseid väärtusi saab kasutada teiste kooskõlas samade standarditega testitud tööriistade deklareeritud väärtuste võrdlemiseks. Neid võib kasutada kokkupuute kohta esialgse hinnangu andmiseks. Asjaomased deklareeritud väärtused ei sobi riskihindamiseks ja konkreetse töökoahas mõõdetud väärtused võivad olla suuremad. Konkreetse kasutaja tegelikud kokkupuuteväärtused ja kahjustuste oht on ainulaadsed ja sõltuvad sellest, kuidas kasutaja töötab, töödeldavast detailist ja töökoha lahendusest, kokkupuute ajast ja ka kasutaja füüsilisest seisundist.

Meie, Ets Georges Renault, ei vastuta tagajärgede eest, kui meie poolt mitte kontrollitavas tööolukorras eraldi ohu hindamises kasutatakse tegelikku kokkupuudet kajastavate väärtuste asemel deklareeritud väärtusi.

See tööriist võib põhjustada käe ja käsivarre vibratsioonisündroomi, kui selle kasutamist asjakohaselt ei hallata. ELi juhised kätele mõjuva vibratsiooniga toime tulemiseks leiaste, kui külastate veebilehte <http://www.pneurop.eu/index.php> ning valite „Tools“ ja seejärel „Legislation“.

Soovitame regulaarselt tervist kontrollida, et tuvastada vibratsioonist tingitud haiguste varajasi sümptomeid. Selle põhjal tuleb juhtimistoiminguid kohandada nii, et need aitaksid ennetada võimalikke edaspidiseid tervisekahjustusi.

- i** Kui antud seadet kasutatakse kinnitatud rakendustes: Masinootja poolt antud müraemissioon on indikatiivne. Komplektse masina müra- ja vibratsiooniemissiooni andmed peavad olema välja toodud masina kasutusjuhendis.

WEEE

Elektri- ja elektroonikaseadmete jäätmeid (WEEE) puudutav teave:

Antud toode ja selle teave vastavad WEEE direktiivi/määruste (2012/19/EU) nõuetele ja seda tuleb käsitseda kooskõlas nimetatud direktiivi/määrustega.

Toode on märgistatud sümboliga:



Tooted, mis on märgistatud ristiga läbi kriipsutatud prügikasti sümboli ja selle all oleva üksiku musta joonega, sisaldavad detaile, mida tuleb käsitseda vastavalt WEEE direktiivile/määrustele. Terve toote või WEEE-osad võib saata käsitlemiseks kohalikku kliendikeskusesse.

Teave seoses REACH-määruse artikliga 33

Euroopa (EÜ) määrus nr 1907/2006, mis käsitleb kemikaalide registreerimist, hindamist, autoriseerimist ja piiramist (REACH), määratleb muuhulgas tarneahela kommunikatsiooniga seotud nõuded. Teabenõue kehtib ka toodetele, mis sisaldavad nn väga ohtlike aineid („kandidaatainete loetelu“). 27. juunil 2018 lisati kandidaatainete loetellu plii (CAS nr 7439-92-1).

Ülaltoodust tulenevalt anname teile teda, et toote teatud elektrilised ja mehaanilised komponendid võivad sisaldada pliid. See on kooskõlas kehtivate ainete kasutamise piiramise õigusaktidega ja põhineb ohtlike ainete kasutamise piiramise direktiivi (RoHS-määrus, 2011/65/EÜ) õiguslikel eranditel. Plii ei leki ega muteeru tootest tavapärasel kasutamisel ning pliiisisaldus kogu tootes on kohaldatavast piirväärtusest tunduvalt väiksem. Toote kasutusea lõppedes arvestage plii kõrvaldamisel kohalikke eeskirju.

Piirkondlikud nõuded

⚠ HOIATUS

Selle toote kasutamisel võite kokku puutuda kemikaalide, sh pliiga, mis põhjustab California osariigile teadolevatel andmetel vähki ja sünnidefekte või muud reproduktiivset kahju. Lisateabe saamiseks külastage veebilehte

<https://www.p65warnings.ca.gov/>

Ohutus

ÄRGE VISAKE ÄRA – ANDKE KASUTAJALE

⚠ HOIATUS Kõikidest paigaldamist, kasutamist ja hooldamist käsitlevatest kohalikest kehtivatest ohutuseeskirjadest tuleb kogu aeg kinni pidada.

Lubatud kasutamine

- Ainult professionaalseks kasutamiseks.
- Käesolevat toodet ega selle lisaseadmeid ei tohi muuta.

Safety Information

- Ärge kasutage kahjustatud toodet.
- Kui tootel asuvad nimikiiruse või ohuhoiatuse märgid muutuvad loetamatuks või tulevad küljest, asendage need kohe uutega.
- Toodet tohib paigaldada, kasutada ja hooldada ainult kvalifitseeritud isik ja ainult tööstuslikus keskkonnas.

Kasutusotstarve

Käesolev toode on loodud keermestatud kinnitusvahendite puitu, metalli või plastikusse paigaldamiseks ning sealt eemaldamiseks. Muud kasutusviisid pole lubatud. Ainult professionaalseks kasutuseks.

Kasutage ainult siin nimetatud Desoutteri akusid.

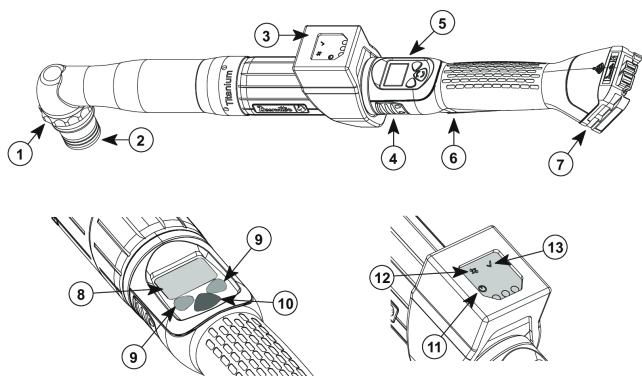
- Aku 18 V 2,5 Ah, tootekood 6158132660
- Aku 36 V 2,5 Ah, tootekood 6158132670

Akusid tohib laadida **ainult** Desoutteri akulaadijaga (6158132700).

Täielikud juhised leiate akulaadija ohutusjuhistest (6159925310) ja tootejuhistest, mis on eri keeltes saadaval aadressil <https://www.desouttertools.com/resource-centre>

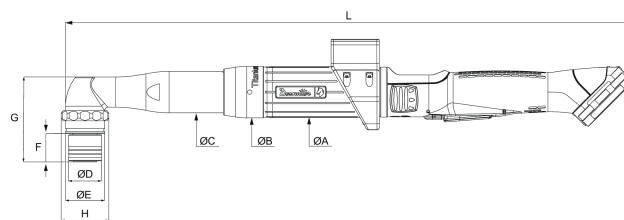
Tootespetsiifilised juhised

Toote kirjeldus



- | | |
|----|---------------------------------|
| 1 | Kinnitusadapter Crowfooti jaoks |
| 2 | Kiirkinnitiga pesa |
| 3 | QR-tarvikunäidik |
| 4 | LED-märgutuled |
| 5 | Tablo ja nupud |
| 6 | Päästik |
| 7 | Aku jalajalg |
| 8 | Ekraan |
| 9 | Programmeerimisnupud |
| 10 | Vastassuuna nupp |
| 11 | Tarviku toitenäidik |
| 12 | Lugemine/kirjutamine on käimas |
| 13 | Määratud Pset on valmis. |

Mõõtmed (mm)



Mudel	P	ØA	ØB
EABA26-560-QRX	496	46	46
EABA32-410-QRX	496	46	46
EABA45-330-QRX	506	46	46
EABA50-450-QRX	546	46	46
EABA60-370-QRX	559	46	58
EABA75-300-QRX	582	46	58
EABA95-240-QRX	582	46	58

Mudel	ØC	D	E
EABA26-560-QRX	37	25	28
EABA32-410-QRX	37	25	28
EABA45-330-QRX	37	30	35
EABA50-450-QRX	37	30	35
EABA60-370-QRX	41	33	40
EABA75-300-QRX	49	34	43
EABA95-240-QRX	49	34	43

Mudel	F	G	H
EABA26-560-QRX	22	68	35
EABA32-410-QRX	22	68	35
EABA45-330-QRX	25	76	44
EABA50-450-QRX	25	76	44
EABA60-370-QRX	27	85	49
EABA75-300-QRX	28	88	52
EABA95-240-QRX	28	88	52

Üldine ohutus paigaldamisel

Seadet võivad paigaldada ainult kvalifitseeritud isikud.

Riputage tööriist turvaliselt, näiteks tasakaalustajale. Kui kasutate riputit, siis kontrollige, et see oleks heas töökorras ning nõuetekohaselt paigaldatud.

Juhtmega tööriistad Ühendage süsteem alati maandatud pistikupessa. Enne tööriistajuhtme ühendamist või lahutamist veenduge alati, et toitepistik oleks vooluvõrgust eemaldatud ning kontrollid välja lülitatud.

Üldine tööohutus

- Ärge kandke kindaid, kuna need võivad pöörlevate osade vahele kinni jääda.

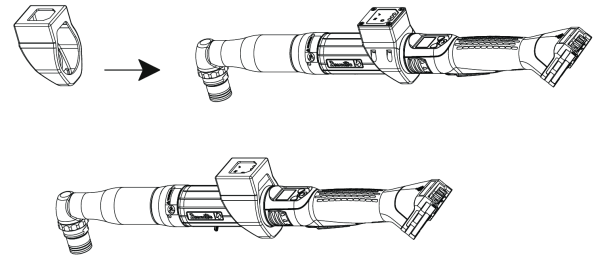
- **Olge valmis tööriista kasutamisel esinevaks reaktsioonijõuks.** Toetage alati tööriista kindlalt käepidemest spindli pöörlemisele vastassuunas, et vähendada pingutamise lõpus ja lõdvendamise alguses aset leidva ootamatu väändejõu reaktsiooni mõju.
- **Ärge hoidke kinni ajamist, pesast või ajami pikendus-est.**
- **Operaatorid ning hooldustehnikud peavad olema füüsiliselt võimelised käsitsema tööriista suurust, kaalu ja võimsust.**
- **Võimaluse korral kasutage reaktsioonijõu neutralamiseks riputushooba.** Kui see ei ole võimalik, on sirgete ja püstolkäepidemega tööriistade puhul soovitatav kasutada külgakäepidemeid; nurga all mutrikeerikute puhul aga reaktsioonivardaid. Igal juhul on soovitatav kasutada sirgete tööriistade puhul üle 4 Nm (3 naeljalga), püstolkäepidemega tööriistade puhul üle 10 Nm (7,5 naeljalga) ja nurkmutrikeerikute puhul üle 60 Nm (44 naeljalga) suuruse reaktsioonijõu absorbeerimiseks abivahendeid.
- **Üle- või alapingutatud kinnituselementide puhul tekib raskete kehavigastuste oht.** Konkreetse ettenähtud pingutusjõuga koostude puhul tuleb kontrollimiseks kasutada dünamomeetrit. Nn „klõpsuga“ dünamomeetritelised mutrivõtmed ei kontrolli potentsiaalselt ohtlike ülemäärase pingega seisukordi. Üle- või alapingutatud kinnituselemendid võivad puruneda, lahti tulla või eralduda. Lahti tulnud koostud võivad eemale paiskuda.
- **Kasutage ainult heas seisukorras olevaid mootor- või löökpadruneid.** Ärge kasutage käsipadruneid.
- **Mootortööriista kasutades võib operaator kogeda kätes, käsivartes, õlgades, kaelas ning teistes kehaosades ebamugavustunnet.** Vahetage tööpäeva kestel asendit, säilitades kindla jalgealuse ning vältides ebaloomulikke või tasakaalust väljas asendeid.
- **Korduvad liigutused, ebamugav asend ja vibratsioon võivad kahjustada käsi.** Kui käed muutuvad tuimaks, kipitavad, valutavad või kui nahk muutub valgeks, lõpetage töö ja pöörduge arsti poole.
- **Kitsas kohas töötades tegutsege ettevaatlikult.** Olge ettevaatlik, et vältida käe tööriista ja töödeldava eseme vahele sattumisest tingitud muljumisvigastusi.
- **Kõrge müratase võib põhjustada täieliku kuulmise kaotuse.** Kasutage teie tööandja või tööttervishoiu ja ohutuse eeskirjade poolt ettenähtud kuulmiskaitsevahendeid.
- **Veenduge, et töödeldav toorik oleks kindlalt fikseeritud.**
- **Tegutsege tundmatu ümbruskonnas ettevaatlikult.** Tundke oma töötegevusest tingitud potentsiaalseid ohte. Antud tööriist ei ole vooluallikatega kokkupuutumise puhuks isoleeritud.

Tööriistad, mida kasutatakse koos reaktiivvardaga: Ärge pange oma kätt tööriista kasutamisel reaktiivvarda lähedale. Veenduge enne tööriista käivitamist spindli pöörlemis-suunas, reaktsioonijõud võib toimida ootamatus suunas ning tekitada muljumisvigastuste ohtu.

Muhvi sisaldav tööriist: Kontrollige õiget töötamist kohe pärast muhvi reguleerimist.

Kuidas paigaldada kate lugerile

- ① Lugerit kaitsmiseks löökide ja kahjustuste eest soovitame tungivalt paigaldada pakendis sisalduva kate.



Libistage kate tööriistale.
Lükake see tugevalt lugeri kohale.

Aku paigaldamine



Paigaldage aku tööriista ette või taha, kuni kuulete lukustumist kinnitavat klõpsu.

Seadmel puudub toitelüliti: tööriist on tööks valmis kohe pärast aku paigaldamist.

Töövalmis tööriistal vilguvad LED-märgutuled.

TEADE Aku kasutussoovitused

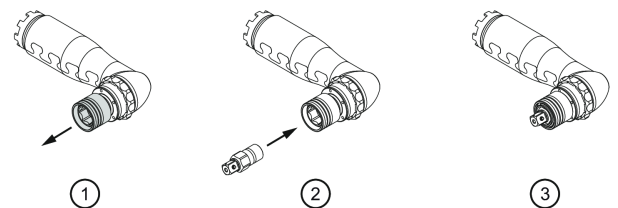
Tagage aku pikem kasutusiga.

- Kui tööriista ei kasutata, eemaldage aku.

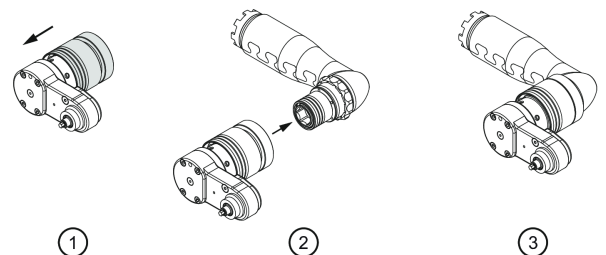
Ärge jätke akut laadijasse, kui laadija pole toitevarustusega ühendatud.

Tarvikute ühendamine

Padrun



Crowfoot



Paigaldage tarvik kiirkinnitiga pessa, nagu on joonisel näidatud, ja määrake sellele Pset.

Safety Information

Tööriista käivitamine

Kinnitage tööriistale sobiv padrun.

Valige sobiv Pset.

Hoidke tööriista käepidemest ja asetage see pingutatavale kinnitusdetailile.

⚠ HOIATUS Vigastuste oht

Kuna reaktsioonijõud suureneb proportsionaalselt pöördemomendiga, on oht, et operaator võib tööriista ootamatu käitumise korral saada raskeid kehavigastusi.

- ▶ Veenduge, et tööriist oleks laitmatus töökorras ja süsteem oleks õigesti programmeeritud.

Vajutage tööriista käivitamiseks päästikut.

Pöörlemissuuna muutmine



1 Vastassuuna nupp

Vajutage seda nuppu.

Punane ja roheline LED-tuli vilguvad vaheldumisi.

Asetage tööriist kinnitusdetailile ja vajutage päästikut.

Üldine ohutus hooldamisel

Hoidke kontrolleri hoolduse ajal alati väljalülitatud olekus, et vältida ootamatut käivitumist.

Seadet võivad hooldada ainult kvalifitseeritud isikud.

Juhised puhastamiseks

Puhastage detaile niiske lapiga. Kasutage ainult vett; lahusteid sisaldavate puhastusvahendite kasutamine pole lubatud.

Puhastamisnõuannete saamiseks vastavalt kehtivatele soovistustele ja konkreetse tööriista kohta pöörduge oma Desoutteri hooldustehniku poole.

Mootortööriista üldised ohutusnõuded

⚠ HOIATUS Tutvuge kõigi elektrilise tööriista juurde kuuluvate hoiatuste, juhiste, illustratsioonide ja tehniliste andmetega.

Allpool toodud juhiste eiramine võib tuua kaasa elektrilöögi, tulekahju ja/või tõsise kehavigastuse.

Hoidke kõik hoiatused ja juhised hilisemaks uuesti läbi vaatamiseks alles.

Hoiatuses kasutatava sõnaga „elektriseade“ mõeldakse elektritoitel töötavat (juhtmega) või akutoitega (juhtmevaba) tööriista.

Tööpiirkonna turvalisus

- **Hoidke tööpiirkond puhas ja tagage seal piisav valgustus.** Segamini või halvasti valgustatud töökoht suurendab õnnetuste ohtu.

- **Ärge kasutage elektriseadmeid plahvatusohtlikus keskkonnas, näiteks kergsüttivate vedelike, gaaside või tolmu läheduses.** Elektritööriistade kasutamisel tekitavad sädemed, mis võivad süüdata tolmu või auru/gaasi.
- **Hoidke lapsed ja muud kõrvalised isikud töötavast elektriseadmest eemal.** Häirivad tegurid võivad teil keskendumist segada ja ohuolukordi tekitada.

Elektriohutus

- **Elektriseadme pistik peab pistikupesaga sobima. Pistikut ei tohi mingil moel ümber teha. Maandatud elektriseadmete puhul ei tohi kasutada adapterit.** Ümbertegemata pistikute ja nendega sobivate pistikupesade kasutamine vähendab elektrilöögi ohtu.
- **Vältige kokkupuuteid maandatud pindadega nagu torud, radiaatorid, pliidid, külmikud jms.** Elektrilöögi oht suureneb, kui teie keha on maandatud.
- **Ärge laske elektriseadmest kokku puutuda vihma ega niiskusega.** Elektritööriista tungiv vesi suurendab elektrilöögi ohtu.
- **Ärge kasutage toitejuhet mittesihipäraselt. Tööriista ei tohi kunagi juhtmest kanda, tõmmata ega pistiku väljatõmbamiseks juhet sikutada. Vältige juhtme kokkupuutumist kuumuse, määrdeainete, teravate servade ja liikuvate osadega.** Rikutud või moonutatud juhe suurendab elektrilöögi ohtu.
- **Kui töötate elektriseadmega õues, kasutage ainult välikasutuseks mõeldud pikendusjuhtmeid.** Välikasutuseks mõeldud juhtme kasutamine vähendab elektrilöögi ohtu.
- **Kui elektriseadmega tuleb tingimata töötada niiskes kohas, kasutage rikkevoolukaitsega (RCD) varustatud toidet.** Rikkevoolukaitse kasutamine vähendab elektrilöögi ohtu.

Isiklik ohutus

- **Olge elektriseadmega töötamisel tähelepanelik, jälgige, mida teete, ja kasutage tervet mõistust.** Elektriseadet ei tohi kasutada, kui olete väsinud või uimastite, alkoholi või ravimite mõju all. Väike hooleetus elektriseadmega töötamisel võib viia tõsise kehavigastuseni.
- **Kasutage isikukaitsevahendeid. Alati kandke kaitseprille.** Sobiva kaitsevarustuse kasutamine (nt tolmumask, libisemiskindlad turvajalatsid, kiiver ja kõrvaklapid) vähendab kehavigastuste ohtu.
- **Vältige seadme tahtmatut käivitumist. Enne toitejuhtme ja/või aku ühendamist, seadme tõstmist või kandmist veenduge, et lüliti oleks väljalülitatud asendis.** Seadme kandmine, sõrme lüliti hoides, või sisselülitatud seadme toite ühendamine suurendab õnnetuste tõenäosust.
- **Enne elektriseadme sisselülitamist eemaldage kõik võtmed ja reguleerimistöriistad.** Elektriseadme pöörleva osa külge jäänud tööriist või võti võib kehavigastusi põhjustada.
- **Ärge küünitage. Hoidke alati jalad kindlalt maas ja keha tasakaalus.** Nii on teil ootamatutes olukordades elektriseadme üle parem kontroll.

- Riietuge sobivalt. Vältige lohmakaid rõivaid ja ehteid. Hoidke käed, juuksed ja kaelasidemed liikuvatest osadest eemal. Lohmakad rõivad, ehted ja pikad lahtised juuksed võivad liikuvatesse osadesse kinni jääda.
- Kui seadmel on olemas tolmu imemise või kogumise osa, siis veenduge, et see oleks nõuetekohaselt ühendatud ja kasutusel. Tolmukoguja kasutamine võib vähendada tolmu seotud ohtusid.
- Hoiduge tööriista sagedasel kasutamisel tekkivast liigest enesekindlusest ja mugavusest ning järgige alati ohutusreegleid. Hooletus võib põhjustada vaid sekundi murdosa jooksul raskeid kehavigastusi.
- Hoidke mootortööriista isoleeritud haardepindadest, kui kinnituselement võib toimingu käigus puutuda kokku peidetud juhtmete või omaenda toitejuhtmega. Kinnituselemendi kokkupuutel voolu all oleva juhtmega võivad elektritööriista metallosad sattuda voolu alla ning anda kasutajale elektrilöögi.

Elektriseadme kasutamine ja hooldus

- Ärge koormake elektriseadet üle. Kasutage vastavaks tööks kõige sobivamat elektriseadet. Tööriist toimib paremini ja turvalisemalt, kui seda kasutatakse ettenähtud viisil.
- Ärge kasutage elektriseadet, kui lüliti ei lülita seda sisse ja välja. Kui tööriista ei saa lülitist juhtida, on see ohtlik ja tuleb enne kasutamist korda teha.
- Lahutage pistik vooluallikast ja/või aku (kui see on eemaldatav) elektriseadmest enne seadme reguleerimist, tarvikute vahetamist või elektriseadme hoistamiseks ära panemist. See ettevaatusabinõu vähendab seadme tahtmatu käivitumise võimalust.
- Hoidke kasutuses mitteolev elektriseade laste käeulatuses eemal ning ärge lubage elektriseadet kasutada isikutel, kes seda ei tunne või ei ole tutvunud käesolevate juhistega. Elektriseadmed on kogenematu kasutaja käes ohtlikud.
- Hooldage elektriseadmeid ja tarvikuid. Kontrollige liikuvate osade joondust ja vaba liikumist, osade seisukorda ja muid asjaolusid, mis võivad elektriseadme tööd mõjutada. Rikke korral tuleb elektriseade enne kasutamist korda teha. Paljude õnnetuste põhjuseks on halvasti hooldatud elektriseade.
- Hoidke löiketerad puhta ja teravana. Korralikult hooldatud löiketerad jäävad väiksema tõenäosusega kinni ja tööriista on lihtsam kontrollida.
- Kasutage mootortööriista, tarvikuid, otsikuid jms kooskõlas käesolevate juhistega, arvestades töötingimusi ning käsilolevat tööd. Elektriseadme mittesihipärane kasutamine võib tekitada ohtlikke olukordi.
- Hoidke käepidemed ja haardepinnad kuiva, puhta ning õli- ja määrdevabana. Libedad käepidemed ja haardepinnad ei võimalda tööriista ootamatus olukorras ohutult käsitseda ega kontrollida.

Akutööriista kasutamine ja hooldus

- Kasutage laadimiseks ainult tootja poolt ette nähtud laadijat. Kindla akutüübi jaoks mõeldud laadija võib teist tüüpi aku laadimisel põhjustada tuleohtu.
- Kasutage mootortööriistu ainult spetsiaalselt ettenähtud akupakettidega. Teiste akupakettide kasutamine võib tuua kaasa vigastuste ja süttimise ohtu.
- Kui akut ei kasutata, tuleb seda hoida eemal metallesemest nagu kirjaklambrid, mündid, võtmed, naelad, kruvid jm väiksed metallesemed, mis võivad põhjustada kontaktide vahel lühise. Akulühisest võib tekkida tulekahju.
- Valedes tingimustes säilitamisel võib akut lekkida vedelikku, vältige kokkupuudet akuvedelikuga. Kui vedelik siiski nahale satub, peske see ohtra veega maha. Kui vedelik satub silma, pöörduge ühtlasi arsti poole. Lekkinud akuvedelik võib tekitada nahaärritust ja põletushaavu.
- Ärge kasutage kahjustatud või ümber tehtud akut ega tööriista. Kahjustatud või ümbertehtud akud võivad ettenägematult käituda, põhjustades süttimist, plahvatust või kehavigastuse.
- Ärge laske akul või tööriistal kokku puutuda tule ega kõrge temperatuuriga. Lahtise leegi või üle 130 °C temperatuuriga kokkupuutumine võib põhjustada plahvatuse.
- Järgige kõiki laadimisjuhiseid ja ärge laadige akut ega tööriista väljaspool juhistes märgitud temperatuurivahemikku. Valesti või väljaspool lubatud temperatuurivahemikku laadimine võib akut kahjustada ja suurendada tuleohtu.

Hooldus

- Laske oma elektriseadet hooldada vastava kvalifikatsiooniga remondispetsialistil, kasutades ainult identseid varuosid. See tagab seadme ohutu kasutamise.
- Kahjustatud akusid ei tohi hooldada. Akusid tohib hooldada ainult tootja või volitatud hooldusteenuse pakkuja.

Märgid ja kleebised

Tootele on paigaldatud olulise isikliku ohutusteabega ja toote hooldusteabega märgid ja kleebised. Paigaldatud märgid ja kleebised peavad olema alati loetavad. Uute märkide ja kleebiste tellimiseks kasutage varuosade loendit.



s011050

Kasulik teave

Veebileht

Teavet meie toodete, tarvikute, varuosade ja avaldatud materjalide kohta leiate kaubamärgi Desoutter veebisaidilt.

Tutvuge lähemalt: www.desouttertools.com.

Safety Information

Teave paigaldamisjuhendite kohta

Üksikasjalikud kasutusjuhised, paigaldus- ja uuendusjuhendid on saadaval aadressil <https://www.desouttertools.com/resource-centre>.

Teave varuosade kohta

Joonised ja varuosade loendid on saadaval, klõpsates hoolduslingil www.desouttertools.com.

Päritolumaa

France

Ohutuskaardid MSDS/SDS

Ohutuskaardid kirjeldavad kaubamärgi Desoutter müüdavaid kemikaale.

Lisateabe saamiseks külastage kaubamärgi Desoutter veebisaiti <https://www.desouttertools.com/legal/sds>.

Autoriõigus

© Autoriõigus 2022, Ets Georges Renault, 38 rue Bobby Sands, 44818 Saint Herblain, France

Kõik õigused kaitstud. Volitamata kasutamine või sisu või selle osa kopeerimine on keelatud. See puudutab konkreetset just kaubamärke, mudelite nimetusi, detailide numbreid ja jooniseid. Kasutage ainult heakskiidetud osi. Autoriseerimata osade kasutamisest põhjustatud kahjustused või torked pole garantii või toote vastutuse poolt kaetud.

Techniniai duomenys

Techniniai duomenys

Įtampa (V)

36 V 

Išvesties įrenginys

Modelis	Tipas
EABA26-560-QRX	Greito išleidimo išvestis
EABA32-410-QRX	Greito išleidimo išvestis
EABA45-330-QRX	Greito išleidimo išvestis
EABA50-450-QRX	Greito išleidimo išvestis
EABA60-370-QRX	Greito išleidimo išvestis
EABA75-300-QRX	Greito išleidimo išvestis
EABA95-240-QRX	Greito išleidimo išvestis

Sukimo momento diapazonas (Nm)

Modelis	Maž. / Vidut. / Didž.
EABA26-560-QRX	5 / 24 / 26
EABA32-410-QRX	7 / 30 / 32
EABA45-330-QRX	9 / 40 / 45

Modelis	Maž. / Vidut. / Didž.
EABA50-450-QRX	9 / 45 / 50
EABA60-370-QRX	10 / 55 / 60
EABA75-300-QRX	12 / 70 / 75
EABA95-240-QRX	19 / 90 / 95

Sukimo momento diapazonas (pėdomis)


Modelis	Maž. / Vidut. / Didž.
EABA26-560-QRX	1,12 / 5,40 / 5,85
EABA32-410-QRX	1,57 / 6,74 / 7,19
EABA45-330-QRX	2,02 / 8,99 / 10,12
EABA50-450-QRX	2,02 / 10,12 / 11,24
EABA60-370-QRX	2,25 / 12,36 / 13,49
EABA75-300-QRX	2,70 / 15,74 / 16,86
EABA95-240-QRX	4,27 / 20,23 / 21,36

Nustatytas greitis (aps./min.)

Modelis	
EABA26-560-QRX	560
EABA32-410-QRX	410
EABA45-330-QRX	330
EABA50-450-QRX	450
EABA60-370-QRX	370
EABA75-300-QRX	300
EABA95-240-QRX	240

Svoris

Modelis	(kg)	(svarai)
EABA26-560-QRX	2,04	4,50
EABA32-410-QRX	2,04	4,50
EABA45-330-QRX	2,21	4,87
EABA50-450-QRX	2,49	5,49
EABA60-370-QRX	2,82	6,22
EABA75-300-QRX	3,42	7,54
EABA95-240-QRX	3,46	7,63

 Svoris nurodytas be akumuliatorių pakuotės.

Laikymas ir naudojimo sąlygos

Laikymo temperatūra	-20 iki +70 °C (-4 iki +158 F)
Darbinė temperatūra	0 iki 45 °C (32 iki 113 F)
Laikymo drėgmė	0-95 % RH (nesikondensuojanti)
Darbinė drėgmė	0-90 % RH (nesikondensuojanti)
Aukštis iki	2000 m (6562 pėdų)
Galima naudoti esant 2 aplinkos užterštumo lygiui	

Naudoti tik viduje

Belaidžio ryšio specifikacijos

RFID 13,56 MHz

Dažnis	13,553 MHz - 13,567 MHz
H magnetinis laukas	< 42 dBμA/m esant 10 m pagal ETSI EN 300 330 v2.1.1

Deklaracijos

Atsakomybė

Suveržimo procesą gali veikti daugybė darbo aplinkoje vykstančių įvykių, todėl reikia patikrinti rezultatą. Todėl, laikantis atitinkamų standartų ir (arba) reglamentų, po kiekvieno įvykio, galinčio paveikti suveržimo rezultatą, prašome Jūsų patikrinti nustatytą sukimo momentą ir sukimosi kryptį. Tokiais įvykiais gali būti laikoma (sąrašas neišsamus):

- pradinis įrankių sistemos įdiegimas;
- dalių partijos, varžtų partijos, įrankio, programinės įrangos keitimas, aplinkos konfigūravimas;
- suslėgto oro ar elektros jungčių keitimas;
- linijos ergonomikos, proceso, kokybės užtikrinimo procedūrų ar praktiškų keitimas;
- operatoriaus keitimas
- bet koks kitoks pakeitimas, galintis paveikti suveržimo procesą.

Patikros sąlygos:

- Būtina užtikrinti, kad sujungimo sąlygos nepasikeitė dėl atitinkamo įvykio.
- Patikrą reikia atlikti po pradinio įdiegimo, įrangos techninės priežiūros ar remonto.
- Patikrą reikia atlikti mažiausiai kartą per pamainą ar kitu reikiamu dažnumu.

ES ATITIKTIES DEKLARACIJA

Mes, **Ets Georges Renault**, 38 rue Bobby Sands, 44818 Saint Herblain, France, vienašališkos atsakomybės pagrindu pareiškiamo, kad gaminys (pavadinimą, tipinį ir serijos numerį žr. pirmame puslapyje), atitinka šią (-as) Direktyvą (-as):

2006/42/EB, 2011/65/ES, 2014/53/ES

Taikyti darnieji standartai:

EN 62841-2-2 :2015+AC1 :2015 EN 61000-6-2 :2005 EN 61000-6-3 :2007+A1 :2011 EN 61326-2-3 :2006 EN 301 489-3 V2.1.1 EN 62311 :200

Atitinkamos techninės informacijos institucijos gali pareikalauti iš
Pascal ROUSSY, R&D Manager, 38 rue Bobby Sands,
44818 Saint Herblain, France

Saint-Herblain, 2021-09-13

Pascal ROUSSY, R&D Manager

Išdavėjo parašas



Deklaracija dėl triukšmo ir vibracijos

- Garso stipris < 70 dB(A), neapibrėžtis 3 dB(A), pagal EN 62841-2-2 : 2014.
- Bendroji vibracijos vertė < 2.5 m/s², neapibrėžtis 3 m/s², pagal EN 62841-2-2 : 2014.

Čia deklaruotos vertės buvo gautos laboratoriniais bandymais, atliktais pagal nurodytus standartus. Jas galima lyginti su deklaruotomis kitų įrankių vertėmis, nustatytomis atlikus bandymus pagal tokius pat standartus. Vibracijos intensyvumą taip pat galima naudoti preliminarium poveikio vertinimui. Šios deklaruotos vertės netinka naudoti vertinant riziką, nes konkrečioje darbo vietoje apskaičiuotos vertės gali būti ir didesnės. Faktinės poveikio vertės ir žalos, kurią gali patirti konkretus naudotojas, rizika yra unikalios ir priklauso nuo darbo būdo, ruošinio ir darbo vietos išplanavimo, taip pat – nuo poveikio trukmės ir naudotojo fizinės būklės.

Mes, **Ets Georges Renault**, negalime būti laikomi atsakingi už deklaruotų verčių naudojimo vietoje faktinių verčių pasekmes individualiai įvertinant riziką darbo vietoje, kurios sąlygų negalime kontroliuoti.

Netinkamai valdomas šis įrankis gali sukelti rankos–plaštakos vibracijos sindromą. Plaštakas ir rankas veikiančios vibracijos valdymo ES vadovas yra svetainės <http://www.pneurop.eu/index.php> skyrelio „Tools“ (įrankiai) poskyryje „Legislation“ (teisės aktai).

Ankstyviems simptomams, kurie gali būti susiję su vibracijos ekspozicija, nustatyti ir valdymo procedūroms keisti taip, kad išvengtumėte pakenkimo ateityje, mes rekomenduojame sveikatos priežiūros programą.

ⓘ Jei ši įranga yra skirta naudoti sutvirtinus:

Triukšmo spinduliuotė pateikiama kaip orientyras mašinos gamintojui. Visos mašinos triukšmo ir vibracijos spinduliuotės duomenys turi būti pateikiami mašinos instrukcijų vadove.

EEĀ

Informacija apie **elektrines ir elektronikos įrangos atliekas** (EEĀ):

Šis gaminys ir informacija apie jį atitinka EEĀ direktyvos (2012/19/EU) reikalavimus ir turi būti tvarkomas pagal šios direktyvos nuostatas.

Gaminys yra pažymėtas simboliu:



Safety Information

Gaminuose, pažymetuose perbrauktu šiukšliadėžės ženklų su ratukais ir viena juoda juosta apačioje, yra dalių, kurios turi būti tvarkomos laikantis EEJA atliekų direktyvos nuostatų. Visą gaminį arba EEJA dalis galima išsiųsti į „Klientų priežiūros centrą“ tvarkyti.

Informacija apie 33 Straipsnį dėl cheminių medžiagų registracijos, įvertinimo, autorizacijos ir apribojimų (REACH)

Europos Parlamento ir Tarybos reglamento (EB) Nr. 1907/2006 dėl cheminių medžiagų registracijos, įvertinimo, autorizacijos ir apribojimų (REACH) tarp kitų dalykų pateikia reikalavimus dėl bendravimo tiekimo grandinėje. Informacijos pateikimo reikalavimas taip pat yra taikomas ir produktams, kuriuose yra taip vadinamos labai didelį susirūpinimą keliančiomis medžiagomis ("Kandidatų sąrašas"). 2018 birželio 27d. švino metalas (CAS nr 7439-92-1) buvo įtrauktas į Kandidatų sąrašą.

Pagal šį punktą, jūs turite būti informuojami apie tai, kad tam tikri produkte esantys elektros ir mechaniniai komponentai gali turėti švino metalo. Šią informaciją reikia pateikti laikantis šiuo metu galiojančios medžiagų apribojimo teisės akto, pagrįsto teisėtomis išimtimis, nurodytomis dėl tam tikrų pavojingų medžiagų naudojimo elektros ir elektroninėje įrangoje apribojimo (2011/65/EU) direktyvoje. Švino metalas neturi prasiskverbti arba mutuoti gaminyje, jį naudojant normaliomis aplinkybėmis, o jo koncentracija užbaigtame produkte yra daug žemesnė nei jam taikoma riba. Prašom laikytis vietos reikalavimų atsikratant švinu, esančiu gaminyje, pasibaigus gaminio naudojimo laikui.

Regioniniai reikalavimai

⚠️ ĮSPĖJIMAS

Šis produktas gali sukelti jums pavojų dėl cheminių medžiagų poveikio, įskaitant šviną – Kalifornijos valstija žino, kad tai gali sukelti vėžį, apsigimimų ir kitą žalą reprodukcinei sistemai. Daugiau informacijos rasite

<https://www.p65warnings.ca.gov/>

Sauga

NEIŠMESTI – ATIDUOTI VARTOTOJUI

⚠️ ĮSPĖJIMAS Visada būtina laikytis visų galiojančių vietinių sumontavimo, eksploatacijos ir techninės priežiūros saugos taisyklių.

Naudojimo deklaracija

- Skirta tik profesionaliam naudojimui.
- Draudžiama atlikti bet kokius šio gaminio ir jo priedų pakeitimus.
- Nenaudokite šio gaminio, jei jis apgadintas.
- Jei nebežiūrėti arba atplyšo lipdukai su gaminio įspėjimaisiais ženklais, juos iškart pakeiskite.
- Gaminį gali diegti, naudoti ir techniškai prižiūrėti tik kvalifikuotas personalas pramoninio montažo aplinkoje.

Paskirtis

Šis gaminys skirtas įsukti sriegines tvirtinimo detales į medį, metalą ar plastiką, bei jas išimti. Šį prietaisą naudoti kitoms paskirtims draudžiama. Tik profesionaliam naudojimui.

Naudokite tik šiuos „Desoutter“ akumulatorius.

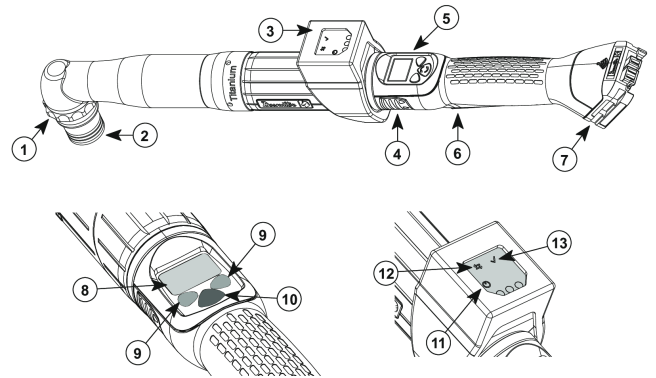
- Akumulatorius 18 V 2,5 Ah, dalies numeris 6158132660
- Akumulatorius 36 V 2,5 Ah, dalies numeris 6158132670

Akumuliatorių būtina krauti **tik** naudojant „Desoutter“ akumuliatorių įkroviklį (6158132700).

Išsamias instrukcijas žr. akumuliatoriaus įkroviklio saugos instrukcijose (6159925310) ir gaminio instrukcijose keliomis kalbomis, adresu <https://www.desouttertools.com/resource-centre>

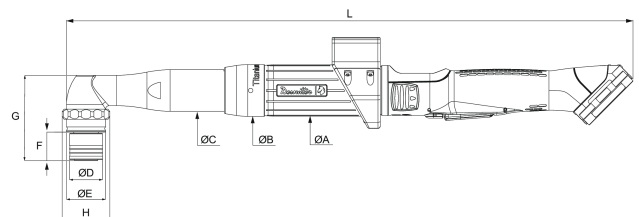
Specialios gaminio instrukcijos

Gaminio aprašymas



- 1 Montavimo adapteris, skirtas Crowfoot
- 2 Greito atlaisvinimo išvestis
- 3 QR priedų skaitytuvas
- 4 Signalinės LED lempos
- 5 Ekranas ir mygtukai
- 6 Spragtukas
- 7 Akumuliatoriaus poveikis aplinkai
- 8 Ekranas
- 9 Programavimo mygtukai
- 10 Atgalinės eigos mygtukas
- 11 Indikatorius, rodantis, kad priedas yra įjungtas.
- 12 Vykdomas nuskaitymas (įrašymas)
- 13 Priskirtas Pset parengtas.

Matmenys (mm)



Modelis	L	ØA	ØB
EABA26-560-QRX	496	46	46
EABA32-410-QRX	496	46	46
EABA45-330-QRX	506	46	46
EABA50-450-QRX	546	46	46
EABA60-370-QRX	559	46	58
EABA75-300-QRX	582	46	58
EABA95-240-QRX	582	46	58

Modelis	ØC	D	E
EABA26-560-QRX	37	25	28
EABA32-410-QRX	37	25	28
EABA45-330-QRX	37	30	35
EABA50-450-QRX	37	30	35
EABA60-370-QRX	41	33	40
EABA75-300-QRX	49	34	43
EABA95-240-QRX	49	34	43

Modelis	F	G	H
EABA26-560-QRX	22	68	35
EABA32-410-QRX	22	68	35
EABA45-330-QRX	25	76	44
EABA50-450-QRX	25	76	44
EABA60-370-QRX	27	85	49
EABA75-300-QRX	28	88	52
EABA95-240-QRX	28	88	52

Bendroji sumontavimo sauga

Sumontavimą turi atlikti tik kvalifikuotas personalas.

Saugiai pritvirtinkite įrankį, pavyzdžiui, naudodami balansyrą. Naudodami pakabos apkabą patikrinkite jos būklę ir tinkamą pritvirtinimą.

Įrankiams su kabeliu: Sistemą visada prijunkite prie išņemto elektros lizdo. Prieš prijungdami ar atjungdami įrankio kabelį visada įsitikinkite, kad maitinimo kištukas yra atjungtas, o valdiklis išjungtas.

Bendroji darbo sauga

- Dėl įsipainiojimo grėsmės, nedėvėkite pirštinių.
- Pasirenkite atoveiksmio jėgai, kuri pasireiškis naudojant įrankį. Visada tvirtai laikykite įrankio rankeną, priešinga ašies sukimuisi kryptimi, kad sumažėtų staigios sukimo momento reakcijos poveikis galutinio priveržimo arba pradinio atsukimo metu.
- Niekada nelaikykite pavaros, lizdo ar pailginimo įtaiso.
- Su įrankiu dirbantys ir jį prižiūrintys darbuotojai turi fiziškai pajėgti išlaikyti įrankį pagal jo tūrį, svorį bei galingumą.
- Jei įmanoma, naudokite pakabos svirtį, kad būtų absorbuojamas atoveiksmio sukimo momentas. Jei tai neįmanoma, įrankiams tiesiu korpusu ir su pistoleto

tipo rankenomis naudokite šonines rankenas; kampiniams veržliasukiams rekomenduojama naudoti atoveiksmio strypus. Rekomenduojama naudoti priemones, kad būtų absorbuojamas atoveiksmio sukimo momentas, didesnis negu 4 Nm (3 svarai į pėdą) įrankiams tiesiu korpusu, didesnis negu 10 Nm (7,5 svarai į pėdą) įrankiams su pistoleto tipo rankena ir didesnis negu 60 Nm (44 svarai į pėdą) kampiniams veržliasukiams.

- Sunkūs sužalojimai gali atsirasti dėl pernelių smarkiai ar per silpnai priveržtų tvirtinimo detalių. Tam tikru sukimo momentu besisukančios dalys turi būti patikrintos sukimo momento matuokliu. Vadinamųjų „spragtelinčių“ sukimo veržliasukių netikrinkite dėl potencialiai pavojingų pernelių didelio sukimo momento sąlygų. Pernelyg priveržtos ar nepriveržtos tvirtinimo detalės gali sulūžti, atsilaisvinti arba atsiskirti. Atsilaisvinusios mazgų detalės gali būti išsviedžiamos.
- Naudokite tik geros būklės elektros įrankiams skirtas galvutes. Nenaudokite rankinių veržliarakčių galvučių.
- Dirbdamas elektriniu įrankiu operatorius gali patirti nepatogių pojūčių rankose, pečiuose, kakle ar kitose kūno dalyse. Visą darbo dieną venkite atitinkamų pozų, tinkamai statykite pėdas ir venkite nepatogių ar kai sunku išlaikyti pusiausvyrą pozų.
- Pasikartojantys judesiai, nepatogios padėties dirbant ir patiriama vibracija gali būti žalingi rankoms. Jei pajuntate tirpimą, dilgčiojimą, skausmą arba pabala oda, nustokite dirbti įrankiu ir kreipkitės į gydytoją.
- Būkite atsargūs dirbdami uždaroje patalpose. Saugokitės, kad rankos nebūtų prispaustos tarp įrankio ir apdirbamo gaminio.
- Įrankio keliamas didelis triukšmas gali negrįžtamai pakenkti klausai. Naudokite ausų apsaugas, kurias rekomenduoja jūsų darbdavys ar darbuotojų sveikatos ir saugos teisės aktai.
- Pasirūpinkite, kad ruošinys būtų tvirtai užfiksuotas.
- Ypač būkite atsargūs nepažįstamoje aplinkoje. Išsiaiškinkite potencialius pavojus, kuriuos sukelia darbas su varikliu. Įrankis nėra izoliuotas nuo elektros šaltinių.

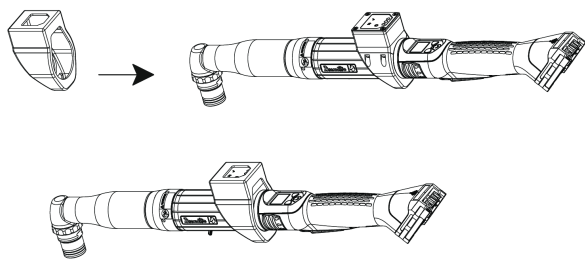
Įrankiai, naudojami kartu su atraminio strypo: Naudodami įrankį niekada nelaikykite rankų šalia atraminio strypo. Prieš įjungdami įrankį nepamirškite veleno sukimosi krypties, atoveiksmio jėga gali veikti netikėta kryptimi, todėl kyla sutraiškymo pavojus.

Įrankiams su veržiamuoju įtaisu: Pareguliuavę veržiamąjį įtaisą, tuoj pat patikrinkite, ar gerai veikia.

Kaip įmontuoti dangtelį ant skaitytuvo

- Norint apsaugoti skaitytuvą nuo smūgių ir pažeidimų, primygtinai rekomenduojama įmontuoti pakuotėje esantį dangtį.

Safety Information



Pastumkite ant įrankio esantį dangtelį. Stipriai prispauskite jį prie skaitytuvo.

Akumuliatoriaus pakuotės įdėjimas



Dėkite akumuliatorių įrankio priekyje arba už jo, kol išgirsite aiškų užrakimo garsą.

Įrankis neturi „ON/OFF“ jungiklio: įrankiu dirbti galima iškart jį įdėjus akumuliatorių.

Kai įrankis įjungtas, blyksi LED lemputės.

DĖMESIO Akumuliatoriaus pakuočių naudojimo rekomendacijos

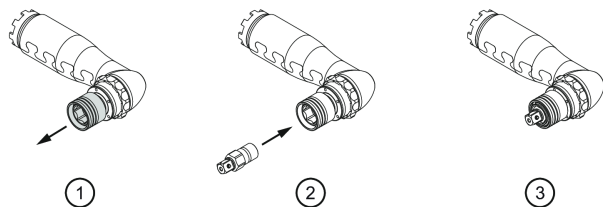
Užtikrinkite ilgesnį akumuliatoriaus tarnavimo laiką.

- ▶ Kai nenaudojate įrankio, atjunkite akumuliatorių.

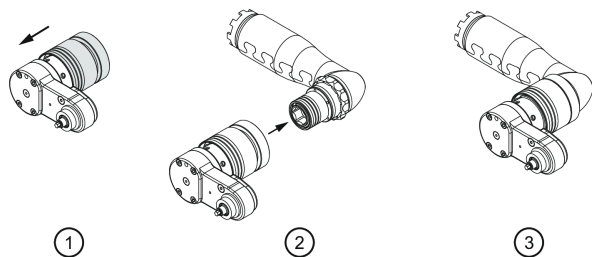
Nepalikite akumuliatoriaus įkroviklyje, kai įkroviklio maitinimas yra išjungtas.

Kaip prijungti priedus

Kištukinis lizdas



Crowfoot



Prijunkite priedą prie greito atlaisvinimo išvesties, kaip parodyta, ir priskirkite jam Pset .

Įrankio paleidimas

Pritaikykite įrankiui tinkamą kištukų lizdą.

Pasirinkite atitinkamą Pset .

Įrankį laikykite suėmę už rankenos ir jį pritvirtinkite prie tvirtinimo pakabos.

⚠ ĮSPĖJIMAS Susižalojimo rizika

Kadangi jėga didėja proporcingai priveržiamo sukimo momentu, dėl netikėto įrankio posūkio kyla pavojus, kad operatorius gali sunkiai sužeisti.

- ▶ Įsitinkite, kad įrankis veikia puikiai ir sistema yra tinkamai užprogramuota.

Paspauskite spragtuką, kad paleistumėte įrankį.

Kaip pakeisti sukimąsi



1 Paspauskite eigos mygtuką

Paspauskite šį mygtuką.

Pakaitomis blyksi raudonos ir žalios LED lemputės.

Uždėkite įrankį ant tvirtinimo elemento ir paspauskite spragtuką.

Bendrasis aptarnavimas ir priežiūros sauga

Kad būtų išvengta netikėto paleidimo, aptarnavimo metu visada išjunkite valdiklį.

Techninę priežiūrą turi atlikti tik kvalifikuotas personalas.

Valymo instrukcijos

Valyti detales drėgnu skudurėliu. Naudoti tik vandenį. Nenaudoti valiklių, kurių sudėtyje yra tirpiklių.

Susisieki su savo Desoutter aptarnavimo techniku, atsakingu už valymo konsultacijas pagal dabartines rekomendacijas ir jūsų konkretų įrankį.

Bendrieji elektrinio įrankio saugos įspėjimai

⚠ ĮSPĖJIMAS Perskaitykite ir peržiūrėkite visus su šiuo įrankiu pateikiamus saugos įspėjimus, instrukcijas, iliustracijas ir specifikacijas.

Nesilaikant visų toliau pateikiamų nurodymų, gali kilti elektros smūgis, gaisras, o asmenys gali patirti sunkius sužalojimus.

Išsaugokite visus perspėjimus ir instrukcijas, kad jais galėtumėte pasinaudoti ateityje.

Perspėjimuose vartojamas terminas „elektrinis įrankis“ reiškia, kad įrankis yra maitinamas per elektros tinklą (turi laidą) arba iš akumuliatoriaus (yra belaidis).

Darbo vieta ir saugumas

- **Darbo vietoje palaikykite švarą. Ji taip pat turi būti gerai apšviesta.** Dėl netvarkingos ar prastai apšviestos aplinkos įvyksta nelaimingi atsitikimai.

- **Nenaudokite elektrinių įrankių sprogoje aplinkoje, pvz., jei joje yra degių skysčių, dujų ar dulkių.** Nuo elektrinių įrankių atsiranda kibirkščių, kurios gali uždegti dulkes ar sukelti dūmus.
- **Dirbant su elektriniu įrankiu, žiūrėkite, kad arti jūsų nebūtų vaikų ar pašalinių asmenų.** Dėl dėmesio atitraukimo, jūs galite prarasti įrankio kontrolę.

Elektros sauga

- **Įrankio maitinimo kištukai turi atitikti lizdą. Ant maitinimo kištuko nedarykite jokių modifikacijų. Su įžemintu elektros įrankiu nenaudokite jokio kištuko adapterio.** Naudojant nemodifikuotus kištukus, kurie atitinka maitinimo lizdą sumažėja elektros smūgio rizika.
- **Venkite prisilietimo prie įžemintų paviršių tokių kaip, pvz., vamzdžiai, radiatoriai, intervalai ar šaldytuvai.** Įsižeminus kūnui, padidėja elektros smūgio pavojus.
- **Įrangos nenaudokite lyjant arba esant drėgnoms sąlygoms.** Į elektros įrankį patekęs vanduo padidina elektros smūgio pavojų.
- **Nepažeiskite elektros laido. Niekada paėmę už laido neneškite ir netempkite ar traukdami už laido neatjunkite prietaiso. Kabelius laikykite atskirai nuo karščio, alyvos, aštrių briaunų ar judančių dalių.** Pažeisti ar susipainioję kabeliai padidina elektros smūgio riziką.
- **Dirbdami su elektriniu įrankiu lauke, įrankį junkite tik prie tokio prailgintuvo, kuris yra skirtas naudoti lauke.** Naudojant prailgintuvą, kuris yra skirtas naudoti lauke, sumažėja elektros smūgio rizika.
- **Jei su įrankiu neišvengiamai reikia dirbti drėgnoje vietoje, naudokite liekamosios srovės (RCD) apsauginį prietaisą.** Kad sumažėtų elektros smūgio rizika, naudokite liekamosios srovės (RCD) apsauginį prietaisą.

Asmeninė sauga

- **Dirbdami su elektriniu įrankiu visada būkite budrūs, stebėkite, ką darote bei pasikliaukite sveika nuovoka.** Su elektriniu įrankiu nedirbkite jei esate pavargę arba pavartoję narkotikų, alkoholio arba medikamentų. Dėl neapdairumo dirbant su elektriniu įrankiu galima rimtai susižaloti.
- **Naudokite apsauginę įrangą. Visada būkite užsidėję akių apsaugą.** Apsauginė įranga, pvz., kaukė nuo dulkių, neslystantys apsauginiai batai, apsauginės kepurės arba klausos apsaugos priemonės, naudojamos tinkamomis sąlygomis, sumažina susižalojimų skaičių.
- **Apsisaugokite nuo netyčinio prietaiso įsijungimo. Užtikrinkite, kad prietaiso jungtukas būtų išjungimo padėtyje prieš prietaisą jungiant prie elektros šaltinio arba akumulatoriaus, prieš jį pakeliant arba nešant.** Nešant elektrinį arba pakraunamą įrankį nelaikykite už įjungimo mygtuko, nes dėl to gali įvykti nelaimingas atsitikimas.
- **Prieš įjungdami elektrinį įrankį, nuimkite reguliavimo raktą arba veržliaraktį.** Veržliaraktis arba raktas, jei jis yra paliktas pritvirtintas prie besisukančios elektros įrankio dalies, gali sukelti sužalojimą.

- **Prie įrankio juo dirbdami per daug neprisilenkite. Visada būkite tinkamoje padėtyje ir išlaikykite pusiausvyrą.** Dėl to esant nenumatytai padėčiai būna lengviau suvaldyti įrankį.
- **Būkite atitinkamai apsirengę. Nevilkėkite laisvų drabužių ir nebūkite užsidėję papuošalų. Žiūrėkite, kad plaukai ir drabužiai nebūtų arti besisukančių dalių.** Laisvi drabužiai, papuošalai ar ilgi plaukai gali įsivelti į judančias dalis.
- **Jei prie prietaisai turi dulkių ištraukimo ir surinkimo prietaisus įsitikinkite, kad jie būtų prijungti ir tinkamai naudojami.** Naudojant dulkių surinktuvus sumažėja su dulėmis susijusio pavojaus tikimybė.
- **Žiūrėkite, kad dėl žinių, įgytų dažnai naudojantis įvairiais įrankiais, netaptumėte pernelyg pasitikintis ir dėl to nepradėtumėte ignoruoti įrankio saugaus naudojimo principų.** Dėl neapdairaus žingsnio nelaimingas atsitikimas gali įvykti per sekundės dalį.
- **Atlikdami veiksmus, kurių metu fiksatorius gali prisiliesti prie paslėptų laidų ar įrankio laido, laikykite elektrinį įrankį už izoliuoto suėmimo paviršiaus.** Fiksatoriui prisilietus prie laido, kuriuo teka elektros srovė, neizoliuotos metalinės elektrinio įrankio dalys gali sukelti elektros smūgį ir nutrenkti operatorių.

Elektrinio įrankio naudojimas ir priežiūra

- **Elektrinio įrankio nenaudokite per jėgą. Atliekamam darbui naudokite šiam darbui skirtą įrankį.** Naudojant tinkamą įrankį darbas bus atliekamas geriau ir saugiau bei tokiu greičiu, kokiu šį darbą atlikti ir yra skirtas įrankis.
- **Elektrinio įrankio nenaudokite jei jungiklis neišsijungia arba neišsijungia.** Visi elektros įrankiai, kurių neišmanoma valdyti per jungiklį yra pavojingi ir juos reikia taisyti.
- **Nuo elektros įrankio prieš atlikdami bet kokius nustatymus, keisdami priedus ar laikydami įrankius, atjunkite kištuką nuo maitinimo šaltinio ir (arba) išimkite akumuliatorių, jei jis yra nuimamas.** Tokios prevencinės saugos priemonės sumažina pavojų atsitiktinai įjungti elektros įrankį.
- **Nenaudojamus elektros įrankius laikykite vaikams nepasiekiamoje vietoje ir neleiskite asmenims, kurie nėra susipažinę su elektriniu įrankiu arba šiomis instrukcijomis, valdyti elektrinį įrankį.** Elektriniai įrankiai yra pavojingi, jei jais naudojasi neapmokyti asmenys.
- **Pržiūrėkite elektrinius įrankius ir prietaisus. Patikrinkite, ar nepažeistos judančios dalys, nesugadintos kitos detalės ir, ar nėra kokių nors kitų sąlygų, kurios gali turėti įtakos įrankio veikimui. Jei įrankis sugadintas, prieš naudojant jį pataisykite.** Daug nelaimingų atsitikimų įvyksta, kai elektriniai įrankiai būna prastai prižiūrėti.
- **Pjovimui skirtus įrankius laikykite aštrius ir švarius.** Tinkamai prižiūrėti pjovimo įrankiai su aštriomis ašmenimis yra mažiau linkę susilenkti ir yra lengviau valdomi.

Safety Information

- Naudodamiesi šiomis instrukcijomis su elektriniu įrankiu bei jo priedais dirbkite atsižvelgdami į darbo sąlygas ir darbą, kurį reikia atlikti. Naudojant elektrinį įrankį skirtą kitiems nei numatyta darbams, gali susidaryti pavojinga situacija.
- Rankenas ir paviršius, už kurių laikomasi, palaikykite sausus, švarius, nesuteptus alyva ir riebalais. Slidžios rankenos ir slystantys paviršiai už kurių laikomasi trukdo saugiai dirbti ir suvaldyti įrankį nenumatytoje situacijoje.

Akumulatoriumi maitinamo įrankio naudojimas ir priežiūra

- Įkraukite tik naudodami gamintojo nurodytą įkroviklį. Įkroviklis, naudojamas vieno tipo akumuliatorių pakuotei, gali sukelti gaisro riziką, jį naudojant kitokiai baterijų pakuotei.
- Įrankiams naudokite tik specialiai jiems skirtus akumulatorius. Naudojant kitus, ne šiems įrankiams skirtus akumulatorius, kyla susižalojimo arba gaisro rizika.
- Kai baterijų pakuotė nenaudojama, ją laikykite atskirai nuo metalinių daiktų, tokių kaip, popieriaus sąvaržėlės, monetos, raktai, vinys, varžtai ar kiti metaliniai daiktai, nes dėl jų gali pradėti vienas su kitu jungtis terminalai. Baterijų terminalams priartėjus vienam prie kito gali atsirasti nudegimas arba kiti gaisras.
- Esant netinkamoms sąlygoms, iš baterijos gali ištekti skystis; venkite kontakto. Jei netyčia prisilietumėte, nuplaukite su vandeniu. Jei skysčio patektų į akis, papildomai kreipkitės dėl medikų pagalbos. Iš baterijos ištekėjęs skystis gali sukelti sudirgimą arba nudegimą.
- Nenaudokite akumulatoriaus pakuotės arba įrenginio jei ji yra pažeista arba modifikuota. Pažeistos arba modifikuotos baterijos gali sukelti nenumatytus veiksmus, tokius kaip gaisras, sprogdimas, ar susižalojimo rizika.
- Akumuliatorių pakuotės arba prietaiso nelaikykite prie ugnies arba per aukštoje temperatūroje. Laikant temperatūroje, aukštesnėje nei 130°C gali kilti sprogdimas.
- Laikykites visų įkrovimo taisyklių ir nekraukite baterijų pakuotės ar įrankio, jei temperatūra yra didesnė arba mažesnė nei nurodyta instrukcijoje. Neteisingai įkraunant arba, jei temperatūra yra mažesnė arba didesnė nei nurodyta, gali sugesti akumulatorius ir padidėti gaisro rizika.

Aptarnavimas

- Prietaisą taisyti gali tik kvalifikuotas remontininkas, naudojantis identiškais atsarginiais dalimis. Tai užtikrins elektrinio prietaiso saugumą išlaikymą.
- Niekada netaisykite pažeistų akumuliatorių pakuočių. Akumuliatorių pakuotes taisyti gali tik gamintojas arba įgaliotas šių paslaugų tiekėjas.

Ženkla ir lipdukai

Ant gaminio yra ženklų ir lipdukų su svarbia informacija apie asmens saugą ir gaminio priežiūrą. Ženkla ir lipdukai turi būti visada lengvai įskaitomi. Naujų ženklų ir lipdukų galima užsisakyti naudojantis atsarginių dalių sąrašu.



S011050

Naudinga informacija

Tinklavietė

Informaciją apie mūsų Gaminius, Priedus, Atsargines dalis ir Paskelbtus klausimus rasite Desoutter puslapyje.

Apsilankykite: www.desouttertools.com.

Informacija apie diegimo vadovus

Išsamias darbo instrukcijas, įdiegimą ir atnaujinimo vadovus galite rasti tinklapyje <https://www.desouttertools.com/resource-centre>.

Informacija apie atsargines dalis

Išplėstinius vaizdus ir atsarginių detalių sąrašus galite rasti aptarnavimo tinklapyje www.desouttertools.com.

Kilmės šalis

France

Saugos duomenų lapai MSDL/SDL

Saugos duomenų lapuose aprašomi cheminiai produktai, paroduami Desoutter.

Apsilankykite Desoutter svetainėje ir sužinokite daugiau <https://www.desouttertools.com/legal/sds>.

Autorių teisės

© Copyright 2022, Ets Georges Renault, 38 rue Bobby Sands, 44818 Saint Herblain, France

Visos teisės saugomos. Draudžiamas bet koks šio turinio ar jo dalies naudojimas arba kopijavimas neturint tam leidimo. Tai ypač taikoma prekių ženkliams, modelių pavadinimams, dalių numeriams ir brėžiniams. Naudokite tik leistas dalis. Jei gaminys veiks blogai arba suges dėl neleistinų dalių naudojimo, garantija nebus taikoma.

Tehniskie dati

Tehniskie dati

Spriegums (V)

36 V

Izvades piedziņa

Modelis	Tips
EABA26-560-QRX	Ātrās atlaišanas izvade
EABA32-410-QRX	Ātrās atlaišanas izvade
EABA45-330-QRX	Ātrās atlaišanas izvade
EABA50-450-QRX	Ātrās atlaišanas izvade
EABA60-370-QRX	Ātrās atlaišanas izvade
EABA75-300-QRX	Ātrās atlaišanas izvade
EABA95-240-QRX	Ātrās atlaišanas izvade

Griezes momenta diapazons (Nm)

Modelis	Min. / Nomināls / Maks.
EABA26-560-QRX	5 / 24 / 26
EABA32-410-QRX	7 / 30 / 32
EABA45-330-QRX	9 / 40 / 45
EABA50-450-QRX	9 / 45 / 50
EABA60-370-QRX	10 / 55 / 60
EABA75-300-QRX	12 / 70 / 75
EABA95-240-QRX	19 / 90 / 95

Griezes momenta diapazons (ft.lb)

Modelis	Min. / Nomināls / Maks.
EABA26-560-QRX	1,12 / 5,40 / 5,85
EABA32-410-QRX	1,57 / 6,74 / 7,19
EABA45-330-QRX	2,02 / 8,99 / 10,12
EABA50-450-QRX	2,02 / 10,12 / 11,24
EABA60-370-QRX	2,25 / 12,36 / 13,49
EABA75-300-QRX	2,70 / 15,74 / 16,86
EABA95-240-QRX	4,27 / 20,23 / 21,36

Nominālais ātrums (apgr./min.)

Modelis	
EABA26-560-QRX	560
EABA32-410-QRX	410
EABA45-330-QRX	330
EABA50-450-QRX	450
EABA60-370-QRX	370
EABA75-300-QRX	300
EABA95-240-QRX	240

Svars

Modelis	(kg)	(lb)
EABA26-560-QRX	2,04	4,50
EABA32-410-QRX	2,04	4,50
EABA45-330-QRX	2,21	4,87
EABA50-450-QRX	2,49	5,49
EABA60-370-QRX	2,82	6,22
EABA75-300-QRX	3,42	7,54

Modelis	(kg)	(lb)
EABA95-240-QRX	3,46	7,63

i Svars norādīts bez akumulatora.

Uzglabāšanas un lietošanas nosacījumi

Uzglabāšanas temperatūra	No -20 līdz +70 °C (no -4 līdz +158 F)
Darba temperatūra	No 0 līdz 45 °C (no 32 līdz 113 F)
Mitruma līmenis uzglabāšanas laikā	0–95% RM (kondensācija nenotiek)
Mitruma līmenis darba laikā	0–90% RM (kondensācija nenotiek)
Augstums līdz	2000 m (6562 pēdas)
Lietojams 2. pakāpes piesārņojuma vidē	
Tikai lietošanai telpās	

Bezvadu sakaru specifikācijas

RFID 13,56 MHz

Frekvence	13,553 MHz – 13,567 MHz
H lauks	< 42 dBµA/m pie 10 m saskaņā ar ETSI EN 300 330 v2.1.1

Deklarācijas

Atbildība

Daudzi notikumi darbības vidē var ietekmēt spriegošanas procesu, tāpēc tam nepieciešama rezultātu novērtēšana. Saskaņā ar piemērojamiem standartiem un/vai noteikumiem ar šo mēs pieprasām jums pārbaudīt uzstādīto griezes momentu un rotācijas virzienu pēc katras reizes, kad var tikt ietekmēts spriegošanas rezultāts. Šādu gadījumu piemēri var būt (ne tikai):

- sākotnējā darbarīku sistēmas uzstādīšana
- partijas daļas, skrūves, skrūves partijas, instrumentu, programmatūras, vides konfigurācijas maiņa
- gaisa vai elektrisko savienojumu maiņa
- līnijas ergonomikas, procesu, kvalitātes procedūru vai prakses maiņa
- lietotāja maiņa
- jebkura cita izmaiņa, kas ietekmē spriegošanas procesa rezultātu

Pārbaudei vajadzētu:

- apstiprināt, ka savienojumu nosacījumi nav mainījušies ietekmes rezultātā.
- Tikt veiktai pēc aprīkojuma sākotnējās uzstādīšanas, apkopes vai labošanas.

Safety Information

- Tikt veiktai vismaz vienu reizi katras maiņas laikā vai citas piemērotas frekvences laikā.

ES ATBILSTĪBAS DEKLARĀCIJA

Mēs, **Ets Georges Renault**, 38 rue Bobby Sands, 44818 Saint Herblain, France, vienpersoniski uzņemoties atbildību, paziņojam, ka produkts (ar nosaukumu, tipu un sērijas numuru, kas atrodami titullapā) atbilst šai direktīvai(-ām):

2006/42/EK, 2011/65/ES, 2014/53/ES

Piemērotie saskaņotie standarti:

EN 62841-2-2 :2015+AC1 :2015 EN 61000-6-2 :2005 EN 61000-6-3 :2007+A1 :2011 EN 61326-2-3 :2006 EN 301 489-3 V2.1.1 EN 62311 :200

Iestādes var pieprasīt nepieciešamo tehnisko informāciju no: Pascal ROUSSY, R&D Manager, 38 rue Bobby Sands, 44818 Saint Herblain, France

Saint-Herblain, 2021/09/13

Pascal ROUSSY, R&D Manager

Izsniedzēja paraksts

Pārskats par trokšņa un vibrācijas deklarāciju

- Skaņas jaudas līmenis < 70 dB(A), mērījumu nenoteiktība 3 dB(A), saskaņā ar EN 62841-2-2 : 2014.
- Vibrāciju kopējā vērtība < 2.5 m/s², mērījumu nenoteiktība 3 m/s², saskaņā ar EN 62841-2-2 : 2014.

Šīs deklarētās vērtības tika iegūtas, izmantojot laboratorijas tipa testēšanu saskaņā ar noteikto standartu, tās ir piemērotas tādu instrumentu salīdzināšanai, kuru deklarētās vērtības ir pārbaudītas saskaņā ar tādiem pašiem standartiem. Vibrācijas emisijas līmeni var izmantot iepriekšējam iedarbības novērtējumam. Šie deklarētās vērtības nav piemērotas izmantošanai riska novērtējumam, individuālās darba vietās mērītas vērtības var būt lielākas. Faktiskās iedarbības vērtības un kaitējuma risks katram lietotājam ir unikāls un ir atkarīgs no veida, kā lietotājs strādā, no darba detaļas un darba stacijas konstrukcijas, kā arī iedarbības laika un lietotāja fiziskā stāvokļa.

Mēs, **Ets Georges Renault**, neatbildam par sekām, kas radušās no norādīto vērtību, nevis reālās iedarbības vērtību lietošanas personiskā riska novērtējumā darbavietā situācijā, kuru mēs nekontrolējam.

Ja šī instrumenta lietošana netiek atbilstoši pārvaldīta, tas var izraisīt plaukstu/roku vibrāciju sindromu. ES vadlīnijas par plaukstu-roku vibrāciju var atrast vietnē <http://www.pneurop.eu/index.php>, izvēloties "Instrumenti" un pēc tam "Likumdošana".

Iesakām izmantot veselības novērošanas programmu, lai atklātu agrīnus simptomus, kas varētu būt saistīti ar vibrācijas iedarbību, vai varētu mainīt atbilstošo darba organizāciju, nepieļaujot turpmāku stāvokļa pasliktināšanos.

- ⓘ Ja šī iekārta ir paredzēta statistiskiem pielietojumiem: Trokšņa emisijas vērtība ir paredzēta mašīnu ražotājiem. Trokšņa un vibrāciju emisijas dati par visu mašīnu jāsniedz mašīnas instrukciju rokasgrāmatā.

EEIA

Informācija attiecībā uz **elektrisko un elektronisko iekārtu atkritumiem** (EEIA):

Šis produkts un tā informācija atbilst EEIA Direktīvas/noteikumu prasībām (2012/19/EU), un ar to jārikojas saskaņā ar šo Direktīvu/noteikumiem.

Produkts ir marķēts ar šādu simbolu:



Produkts, kas marķēti ar pārsvītrotas atkritumu tvertnes simbolu un vienu melnu līniju apakšā norāda, ka ar šī produkta detaļām jāapietas saskaņā ar EEIA Direktīvu/noteikumiem. Viss produkts vai tā EEIA detaļas var tikt nosūtītas jūsu "Klientu apkalpošanas centram", kas to apstrādās.

Informācija par REACH 33. pantu

Eiropas Regula (ES) Nr. 1907/2006, kas attiecas uz ķīmisko vielu reģistrēšanu, vērtēšanu, licencēšanu un ierobežošanu (REACH) cita starpā nosaka arī prasības, kas saistītas ar komunikāciju piegādes ķēdē. Prasība sniegt informāciju attiecas arī uz produktiem, kas satur tā sauktās īpaši bīstamās vielas („kandidātu saraksts”). 2018. gada 27. jūnijā kandidātu sarakstam tika pievienots svina metāls (CAS Nr. 7439-92-1).

Saskaņā ar iepriekš minēto, ar šo informējam jūs, ka noteiktas elektriskās un mehāniskās produkta sastāvdaļas var saturēt svina metālu. Tas ir saskaņā ar spēkā esošajiem tiesību aktiem par vielu ierobežošanu, un to pamatā ir RoHS direktīvā (2011/65/ES) paredzētie likumīgie atbrīvojumi. Parastā lietošanas laikā no ražojuma neizplūst vai nemutējas svina metāls, un svina metāla koncentrācija visā produktā ir ievērojami zemāka par piemērojamo robežvērtību. Lūdzu, ņemiet vērā vietējās prasības attiecībā uz svina iznīcināšanu produkta kalpošanas laika beigās.

Reģionālās prasības

⚠ BRĪDINĀJUMS

Šis produkts var jūs pakļaut svina apdraudējumam, kurš Kalifornijas štatā ir zināms kā vēža un iedzimtu defektu izraisītājs, kā arī citu reproduktīvo funkciju kaitējumu avots. Lai saņemtu plašāku informāciju, apmeklējiet <https://www.p65warnings.ca.gov/>

Drošība

NEIZMETIET — NODODIET LIETOTĀJAM

- ⚠ **BRĪDINĀJUMS** Pastāvīgi jāievēro visi vietējie drošības noteikumi, kas attiecas uz uzstādīšanu, ekspluatāciju un apkopi.

Produkta pielietojums

- Tikai profesionālai lietošanai.
- Šo produktu un tā palīgaprīkojumu aizliegts jebkādā veidā pārveidot.
- Neizmantojiet šo produktu, ja tas ir bojāts.
- Ja produkta dati vai bīstamības brīdinājuma zīmes uz produkta vairs nav salasāmas vai atlīmējas, nekavējoties nomainiet tās.
- Šo produktu drīkst uzstādīt, lietot un apkalpot tikai kvalificēta persona rūpnieciskā montāžas vidē.

Paredzētais pielietojums

Šis produkts ir paredzēts vītņotu stiprinājumu uzstādīšanai un izņemšanai no koka, metāla vai plastmasas. Citi lietošanas veidi nav atļauti. Tikai profesionālai lietošanai.

Izmantojiet tikai šādus Desoutter akumulatorus.

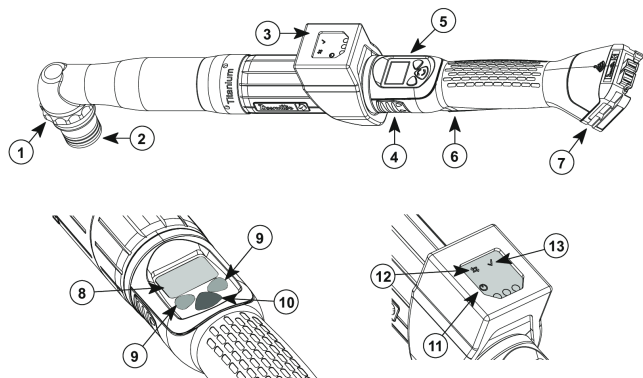
- Akumulators 18 V 2,5 Ah, daļas numurs 6158132660
- Akumulators 36 V 2,5 Ah, daļas numurs 6158132670

Akumulatori jāuzlādē **tikai** ar Desoutter akumulatoru lādētāju (6158132700).

Pilnīgas instrukcijas skatiet akumulatoru lādētāja drošības instrukcijās (6159925310) un produkta instrukcijās, kas pieejamas vairākās valodās tīmekļa vietnē <https://www.desouttertools.com/resource-centre>

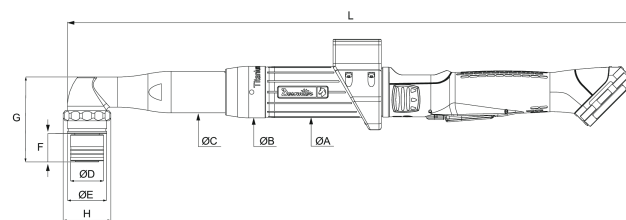
Produktam specifiskas instrukcijas

Produkta apraksts



- 1 Montāžas adapteris, kas paredzēts Crowfoot
- 2 Ātrās atlaišanas izvade
- 3 QR piederumu lasītājs
- 4 LED indikatori
- 5 Displejs un pogas
- 6 Mēlīte
- 7 Akumulatora balstvirsmas
- 8 Displejs
- 9 Programmēšanas pogas
- 10 Reversā poga
- 11 Indikators, kas norāda, ka piederums ir ieslēgts.
- 12 Notiek lasīšana/rakstīšana
- 13 Piešķirtais Pset ir gatavs.

Izmēri (mm)



Modelis	L	ØA	ØB
EABA26-560-QRX	496	46	46
EABA32-410-QRX	496	46	46
EABA45-330-QRX	506	46	46
EABA50-450-QRX	546	46	46
EABA60-370-QRX	559	46	58
EABA75-300-QRX	582	46	58
EABA95-240-QRX	582	46	58

Modelis	ØC	D	E
EABA26-560-QRX	37	25	28
EABA32-410-QRX	37	25	28
EABA45-330-QRX	37	30	35
EABA50-450-QRX	37	30	35
EABA60-370-QRX	41	33	40
EABA75-300-QRX	49	34	43
EABA95-240-QRX	49	34	43

Modelis	F	G	H
EABA26-560-QRX	22	68	35
EABA32-410-QRX	22	68	35
EABA45-330-QRX	25	76	44
EABA50-450-QRX	25	76	44
EABA60-370-QRX	27	85	49
EABA75-300-QRX	28	88	52
EABA95-240-QRX	28	88	52

Vispārējā uzstādīšanas drošība

Uzstādīšanas darbus drīkst veikt tikai kvalificēts personāls.

Iekariniet instrumentu, piemēram, balansierī. Lietojot piekares traversu, pārbaudiet, vai tas ir labā stāvoklī un pareizi piestiprināts.

Instrumentiem ar vadu: Vienmēr pievienojiet sistēmu iezemētai kontaktligzdai. Pirms pieslēgt vai atslēgt instrumenta vadu, vienmēr pārļiecinieties, ka barošanas kontaktspraudnis ir atvienots un controlleris ir izslēgts.

Vispārējā darba drošība

- **Aizķeršanās riska dēļ nevalkāji cimdus.**
- **Sagatavojieties reakcijas spēkam, kas parādīsies, kad instruments tiks lietots.** Vienmēr droši balstiet instrumenta rokturi pretēji vārpstas griešanās virzienam, lai mazinātu pēkšņa atsietiena sekas galējas pievilkšanas un sākotnējās atskrūvēšanas laikā.

Safety Information

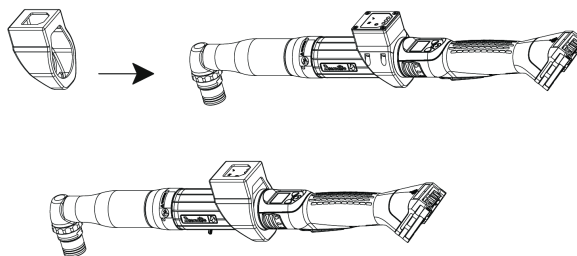
- Nekādā gadījumā neturiet vārpstu, mucīņu vai vārpstas pagarinājumu.
- Operatoru un apkopes darbinieku fiziskās sagatavotības līmenim ir jābūt tādām, lai varētu novaldīt instrumenta masu, izmērus un jaudu.
- Ja iespējams, izmantojiet piekares sviru, lai absorbētu reakcijas griezes momentu. Ja tas nav iespējams, taisna korpusa un pistoles roktura instrumentiem ieteicams izmantot sānu rokturus; leņķa uzgriežnatslēgām ieteicams izmantot reakcijas stienus. Ieteicams izmantot palīglīdzekļus, lai absorbētu reakcijas griezes momentu virs 4 Nm (3 lbf.ft) taisna korpusa instrumentiem, virs 10 Nm (7,5 lbf.ft) pistoles roktura instrumentiem un virs 60 Nm (44 lbf.ft) leņķa uzgriežnatslēgām.
- Pārāk pievilkti vai vaļīgi stiprinājumi var radīt smagas traumas. Montāžas mezgli, kuriem nepieciešams konkrēts griezes moments, ir jāpārbauda ar griezes momenta mērītāju. Tā saucamās „klikšķa” dinamometriskās uzgriežnatslēgas nenodrošina pilnīgu aizsardzību pret pārāk stipru piegriešanu. Pārāk pievilkti vai vaļīgi stiprinājumi var lūzt vai atskrūvēties un atdalīties. Izkritušas detaļas no instrumenta var tikt izsviestas ar spēku.
- Izmantojiet tikai elektroinstrumentiem vai pneimoinstrumentiem paredzētas mucīņas labā stāvoklī. Neizmantojiet rokas mucīņas.
- Izmantojot elektroinstrumentu, operators var izjust diskomfortu plaukstās, rokās, plecos, kaklā vai citās ķermeņa daļās. Visas darba dienas garumā pamainiet atbilstošas pozas, saglabājiet drošu atbalstu ar kājām un izvairieties no neērtām nelīdzsvarotām pozām.
- Atkārtotas darba kustības, neērtas pozīcijas un vibrācijas iedarbība var kaitēt plaukstām un rokām. Konstatējot nejutīgumu, tirpšanu, sāpes vai ādas bālumu, pārtrauciet instrumenta izmantošanu un konsultējieties ar ārstu.
- Ievērojiet piesardzību, veicot darbus slēgtās telpās. Sargiet rokas no iespīšanas starp instrumentu un apstrādājamo materiālu.
- Liela skaņas intensitāte var izraisīt paliekošus dzirdes traucējumus. Izmantojiet piemērotus ausu aizsardzības līdzekļus, kā to nosaka jūsu darba devējs vai darba drošības un veselības aizsardzības noteikumi.
- Sekojiet tam, lai apstrādājamais materiāls būtu kārtīgi nofiksēts.
- Svešā darba vidē darbojieties uzmanīgi. Strādājot uzmanieties no potenciālas bīstamības, kas var rasties jūsu darbības rezultātā. Šis instruments nav nodrošināts pret saskari ar elektrisko strāvu vadošiem elementiem.

Instrumenti, ko izmanto kopā ar reakcijas stieni: Nekādā gadījumā nelieciet plaukstas reakcijas stienā tuvumā, kamēr instruments tiek lietots. Pirms instrumenta iedarbināšanas noskaidrojiet vārpstas rotācijas virzienu, jo reakcijas spēks var būt vērsts negaidītā virzienā un izraisīt saspīšanas traumas.

Instrumentiem ar sajūgu: Tūlīt pēc sajūga regulēšanas pārbaudiet instrumenta pareizu darbību.

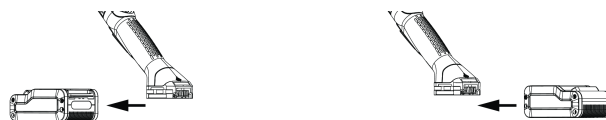
Kā uzstādīt pārsegu uz lasītāja

- ⓘ Lai pasargātu lasītāju no triecieniem un bojājumiem, ir noteikti ieteicams uzstādīt komplektācijā iekļauto pārsegu.



Uzvelciet pārsegu uz instrumenta.
Stingri pārvelciet to pāri lasītājam.

Akumulatora ievietošana



Ievietojiet akumulatoru instrumenta priekšpusē vai aizmugurē, līdz var skaidri sadzirdēt fiksācijas skaņu.

Nav IESL./IZSL. slēdža: instruments ir gatavs darbam, tiklīdz ir uzstādīts akumulators.

Kad instruments ir ieslēgts, mirgo tā indikatori.

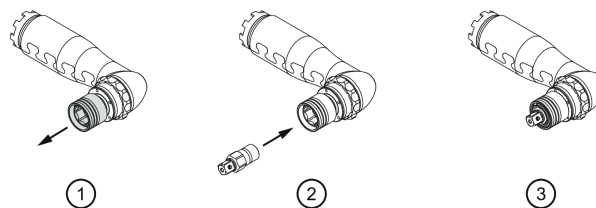
IEVĒROJIET Lietošanas ieteikumi akumulatoru blokiem
Nodrošiniet akumulatoru bloku ilgāku kalpošanas laiku.

- Atvienojiet akumulatoru bloku, kad instruments netiek izmantots.

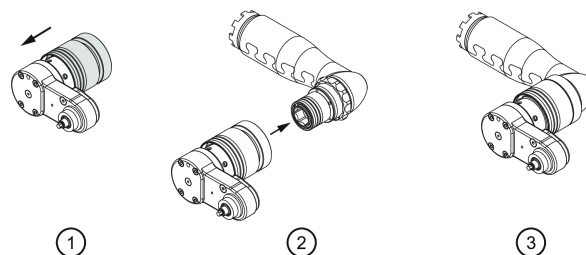
Neatstājiet akumulatoru bloku lādētājā, kad lādētāja strāvas padeve ir izslēgta.

Kā pievienot piederumus

Ligzda



Crowfoot



Pievienojiet piederumu ātrās atlaišanas izvadei, kā parādīts attēlā, un piešķiriet tam Pset.

Instrumenta palaišana

Uzstādiet instrumentu ar piemērotu ligzdu.

Atlasiet atbilstošo Pset.

Turiet instrumentu aiz roktura un izmantojiet stiprinājumu, lai nostiprinātu.

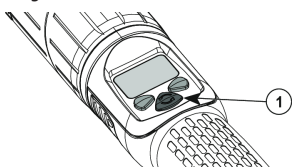
⚠ BRĪDINĀJUMS Savainošanās risks

Tā kā reakcijas spēks palielinās proporcionāli pievilkšanas griezes momentam, instrumenta neparedzētas darbības rezultātā operators var gūt smagus miesas bojājumus.

- Pārliecinieties, vai instruments ir nevainojamā darba kārtībā un sistēma ir pareizi ieprogrammēta.

Nospiediet mēlīti, lai ieslēgtu instrumentu.

Kā mainīt rotāciju



1 Palaidiet reverso pogu

Nospiediet šo pogu.

Pamīšus mirgo sarkanie un zaļie LED indikatori.

Uzlieciet instrumentu uz stiprinājuma un nospiediet mēlīti.

Vispārējā apkopes un uzturēšanas drošība

Apkopes laikā controllerim vienmēr jābūt izslēgtam, lai izvairītos no neparedzētas iedarbināšanas.

Apkopes darbus drīkst veikt tikai kvalificēts personāls.

Tīrīšanas instrukcijas

Notīriet daļas ar mitru drānu. Izmantojiet tikai ūdeni, nedrīkst izmantot tīrīšanas līdzekļus, kas satur šķīdinātājus.

Sazinieties ar Desoutter apkopes mehāniķi, lai saņemtu tīrīšanas padomus atbilstoši pašreizējiem ieteikumiem un jūsu konkrētajam instrumentam.

Vispārīgi elektroinstrumentu drošības brīdinājumi

⚠ BRĪDINĀJUMS Izlasiet visus drošības brīdinājumus, norādījumus, ilustrācijas un specifikācijas, kas saņemtas kopā ar šo elektroinstrumentu.

Neievērojot visus tālāk sniegtos norādījumus, varat izraisīt elektrisko triecienu, ugunsgrēku un/vai smagas traumas.

Saglabājiet visus brīdinājumus un instrukcijas nākotnes uzziņām.

Brīdinājumos ar vārdu “elektroinstrumenti” ir apzīmēti jūsu no elektrotīkla darbināmais elektroinstrumenti (ar vadu) vai ar akumulatora strāvu darbināmais (bezvadu) elektroinstrumenti.

Darba zonas drošība

- **Uzturiet darba zonu tīru un labi apgaismotu.** Nekārtīgās un tumšās vietās negadījumu risks ir lielāks.
- **Nestrādājiet ar elektroinstrumentiem sprādzienbīstamās vidēs, piemēram, ja tuvumā ir uzliesmojoši šķidrums, gāzes vai putekļi.** Elektroinstrumenti rada dzirksteles, kas var aizdedzināt putekļus vai dūmus.
- **Kamēr strādājat ar elektroinstrumentu, tuvumā nedrīkst atrasties bērni un citas personas.** Novēršot uzmanību, varat zaudēt kontroli.

Elektrodrošība

- **Elektroinstrumentu kontaktdakšām ir jāatbilst kontaktlīgzdai.** Nekādā gadījumā nekādā veidā nemodificējiet kontaktdakšu. Neizmantojiet kontaktdakšu adapterus ar sazēmītiem elektroinstrumentiem. Nemodificētas kontaktdakšas un atbilstošas kontaktlīgzdas mazinās elektrošoka risku.
- **Izvairieties no ķermeņa saskares ar sazēmītām virsmām, piemēram, caurulēm, radiatoriem un ledusskapjiem.** Elektrošoka risks ir lielāks, ja ķermenis ir sazēmēts.
- **Nepakļaujiet elektroinstrumentus lietus vai mitruma iedarbībai.** Ja elektroinstrumentā iekļūst ūdens, tas palielina elektrošoka risku.
- **Ar vadu rīkojieties atbilstoši.** Nekādā gadījumā neizmantojiet vadu elektroinstrumenta nešanai, vilkšanai vai atvienošanai no kontaktlīgzdas. Turiet vadu drošā attālumā no siltuma avotiem, eļļas, asām malām vai kustīgām daļām. Bojāti vai sapinušies vadi palielina elektrošoka risku.
- **Ja strādājat ar elektroinstrumentu ārā, izmantojiet pagarinātāju, kas piemērots lietošanai ārpus telpām.** Lietošanai ārpus telpām piemērots pagarinātājs samazina elektrošoka risku.
- **Ja nav iespējams izvairīties no strādāšanas ar elektroinstrumentu mitrā vietā, izmantojiet barošanas instalācijā noplūdes strāvas automātslēdzi (RCD).** RCD izmantošana mazina elektrošoka risku.

Personiskā drošība

- **Strādājot ar elektroinstrumentu, esiet uzmanīgs, sekojiet savām darbībām un rīkojieties saprātīgi.** Neizmantojiet elektroinstrumentu, kamēr esat noguris, vai narkotiku, alkohola un medikamentu iedarbības laikā. Neuzmanības mirklis, strādājot ar elektroinstrumentu, var izraisīt smagas traumas.
- **Izmantojiet individuālos aizsarglīdzekļus.** Vienmēr valkājiet acu aizsarglīdzekļus. Aizsargierīces, piemēram, putekļu maskas, neslīdoši apavi, ķivere vai dzirdes aizsargi, kas jāizmanto attiecīgos apstākļos, mazinās traumu risku.
- **Nodrošiniet ierīci pret neparedzētu iedarbināšanu.** Pirms instrumenta pieslēgšanas barošanas avotam un/vai akumulatoram, tā pacelšanas vai nešanas pārbaudiet, vai barošanas slēdzis ir izslēgtā pozīcijā. Elektroinstrumentu nešana ar pirkstu uz slēdža vai strāvas pieslēgšana instrumentiem, kuru barošanas slēdzis ir ieslēgtā pozīcijā, palielina negadījumu riskus.

- **Pirms ieslēdzat elektroinstrumentu, noņemiet regulēšanas atslēgas vai uzgriežņatslēgas.** Uzgriežņatslēga vai atslēga, kas palikusi piestiprināta pie elektroinstrumenta rotējošās daļas, var izraisīt traumu.
- **Nesniedzieties pārāk tālu. Vienmēr saglabājiet pienācīgu kāju balstu un līdzsvaru.** Tas atvieglo kontroli pār elektroinstrumentu negaidītās situācijās.
- **Ģērbieties atbilstoši. Nevalkājiet vaļīgu apģērbu vai rotaslietas. Turiet matus un apģērbu atstatu no kustīgām daļām.** Vaļīgs apģērbs, rotaslietas vai gari mati var iekļerties kustīgās daļās.
- **Ja komplektācijā ir iekļautas ietaises putekļu nosūkšanai un savākšanai, tām jābūt pieslēgtām un pareizi izmantotām.** Putekļu nosūkšana var mazināt ar putekļiem saistītos riskus.
- **Tāpēc, ka bieži esat lietojis šādus instrumentus, nekļūstiet bezrūpīgs un neignorējiet instrumenta drošības principus.** Bezrūpīgas darbības var radīt smagus bojājumus sekundes simtdaļas laikā.
- **Veicot darbus, kuru laikā stiprinājums var saskarties ar slēptiem vadiem vai ar paša instrumenta vadu, turiet elektroinstrumentu, izmantojot izolētās satveršanas virsmas.** Ja stiprinājums saskaras ar elektrību vadošu vadu, instrumenta atklātās metāla daļas var sākt vadīt elektrību un izraisīt elektrošoku operatoram.

Elektroinstrumenta lietošana un aprūpe

- **Nespiediet elektroinstrumentu ar spēku. Izmantojiet lietošanas veidam atbilstošu elektroinstrumentu.** Pareizais elektroinstrumenti paveiks darbu labāk un drošāk tajā ātrumā, kādam tas ir paredzēts.
- **Neizmantojiet elektroinstrumentu, ja to neieslēdz neizslēdz barošanas slēdzis.** Jebkurš elektroinstrumenti, kuru nevar kontrolēt ar slēdzi, ir bīstams, un tam jāveic remonts.
- **Atvienojiet kontaktdakšu no barošanas avota un/vai akumulatoru (ja noņemams) no elektroinstrumenta, pirms veicat regulēšanu, maināt piederumus vai noglabājat elektroinstrumentu.** Šādi profilaktiski drošības pasākumi mazina elektroinstrumenta nejaušas palaišanas risku.
- **Glabājiet neizmantotus elektroinstrumentus vietās, kur tiem nevar piekļūt bērni, un neļaujiet ar elektroinstrumentu strādāt personām, kuras nepazīna šo elektroinstrumentu vai šos norādījumus.** Elektroinstrumenti neapmācīta lietotāja rokās ir bīstami.
- **Uzturiet darba kārtībā elektroinstrumentus un piederumus.** Pārbaudiet, vai kustīgās daļas nav izregulējušās vai aizķērušās, vai nav salūzušās daļas un vai nav kādu citu apstākļu, kas var ietekmēt elektroinstrumentu darbību. Ja tas ir bojāts, elektroinstrumentam pirms lietošanas jāveic remonts. Daudzus negadījumus izraisa slikti uzturēti elektroinstrumenti.
- **Gādājiet, lai griezējinstrumenti būtu asi un tīri.** Pareizi uzturētiem griezējinstrumentiem ar asām malām ir mazāks risks aizķerties, un tos ir vieglāk kontrolēt.
- **Izmantojiet elektroinstrumentu, piederumus un urbjus/darba ietaises utt. saskaņā ar šiem norādījumiem, ņemot vērā darba apstākļus un veicamos darbus.**

Elektroinstrumentu izmantošana darbiem, kas atšķiras no paredzētā lietošanas veida, var izraisīt bīstamas situācijas.

- **Ievērojiet, lai rokturi un satveršanas virsmas būtu sausas, tīras un brīvas no eļļas un smērvielām.** Slideni rokturi un satveršanas virsmas nenodrošina drošu darbu un instrumenta kontroli neparedzētās situācijās.

Akumulatora instrumenta lietošana un aprūpe

- **Uzlādējiet tikai ar lādētāju, kādu norādījis ražotājs.** Lādētājs, kas paredzēts vienam akumulatoram, var izraisīt aizdegšanās risku, ja to izmanto ar citu akumulatoru.
- **Izmantojiet elektroinstrumentus tikai ar speciāli norādītajiem akumulatoriem.** Citu akumulatoru izmantošana var izraisīt traumu un aizdegšanās risku.
- **Kamēr akumulators netiek lietots, turiet to atstatu no citiem metāla priekšmetiem, piemēram, papīra skavām, monētām, atslēgām, naglām, skrūvēm vai citiem maziem metāla priekšmetiem, kas var radīt savienojumu starp akumulatora spailēm.** Akumulatora spaiļu īsslēgums var izraisīt apdegumus un aizdegšanos.
- **Smagos darba apstākļos no akumulatora var izkļūt šķidrums; izvairieties no saskares. Ja nejauši saskaraties ar to, noskalojiet ar ūdeni. Ja šķidrums nonāk acīs, lūdziet arī medicīnisku palīdzību.** No akumulatora iztecējis šķidrums var izraisīt kairinājumu vai apdegumus.
- **Nelietojiet akumulatoru vai instrumentu, kas ir bojāts vai pārveidots.** Bojāts vai pārveidots akumulators var sekmēt neparedzamas darbības, kā rezultātā var notikt degšana, sprādziens vai var rasties ievainojuma risks.
- **Nepakļaujiet akumulatoru vai instrumentu atklātai liesmai vai pārmērīgas temperatūras iedarbībai.** Pakļaušana atklātai liesmai vai temperatūrai virs 130 °C var izraisīt sprādzienu.
- **Sekojiet visām uzlādēšanas instrukcijām un neuzlādējiet akumulatoru vai instrumentu ārpus temperatūras amplitūdas, kas norādīta norādījumos.** Nepareizi uzlādējot vai pie temperatūras ārpus norādītās amplitūdas, var tikt bojāts akumulators, un palielināties ugunsgrēka risks.

Apkope

- **Elektroinstrumenta apkope jāveic kvalificētai personai, izmantojot tikai identiskas rezerves daļas.** Tādā veidā tiks saglabāta elektroinstrumenta drošība.
- **Neveiciet bojāta akumulatora apkopi.** Akumulatora apkopi var veikt tikai ražotājs vai pilnvaroti pakalpojuma sniedzēji.

Zīmes un uzlīmes

Produktam ir zīmes un uzlīmes, kas satur svarīgu informāciju par personisko drošību un produkta apkopi. Zīmēm un uzlīmēm vienmēr jābūt viegli salasāmām. Jaunas zīmes un uzlīmes var pasūfīt, izmantojot rezerves daļu sarakstu.



s011050

Noderīga informācija

Vietne

Informāciju par mūsu produktiem, piederumiem, rezerves daļām un publicētajiem materiāliem var atrast Desoutter tīmekļa vietnē.

Lūdzu, apmeklējiet: www.desouttertools.com.

Informācija par instalācijas rokasgrāmatām

Detalizētas ekspluatācijas instrukcijas, instalācijas un atjaunināšanas rokasgrāmatas ir pieejamas vietnē <https://www.desouttertools.com/resource-centre>.

Informācija par rezerves daļām

Izvērstie skati un rezerves daļu saraksti ir pieejami vietnes www.desouttertools.com sadaļā „Service Link”.

Izcelsmes valsts

France

Drošības datu lapas MSDS/SDS

Drošības datu lapās aprakstīti Desoutter pārdotie ķīmiskie produkti.

Lai iegūtu plašāku informāciju, lūdzu, apmeklējiet Desoutter tīmekļa vietni <https://www.desouttertools.com/legal/sds>.

Autortiesības

© Autortiesības 2022, Ets Georges Renault, 38 rue Bobby Sands, 44818 Saint Herblain, France

Visas tiesības paturētas. Saturs vai tā daļas neatļauta izmantošana vai kopēšana ir aizliegta. It sevišķi tas attiecas uz preču zīmēm, modeļu nosaukumiem, daļu numuriem un rasējumiem. Izmantojiet tikai atļautas daļas. Bojājumus vai darbības traucējumus, kurus izraisījusi neatļautu daļu lietošana, nesedz garantija vai ražotāja atbildība par produktu.

技术数据

技术数据

电压 (V)

36 V

输出驱动

型号	类型
EABA26-560-QRX	快速释放输出

型号	类型
EABA32-410-QRX	快速释放输出
EABA45-330-QRX	快速释放输出
EABA50-450-QRX	快速释放输出
EABA60-370-QRX	快速释放输出
EABA75-300-QRX	快速释放输出
EABA95-240-QRX	快速释放输出

扭矩范围 (Nm)

型号	最小 / 标称 / 最大
EABA26-560-QRX	5 / 24 / 26
EABA32-410-QRX	7 / 30 / 32
EABA45-330-QRX	9 / 40 / 45
EABA50-450-QRX	9 / 45 / 50
EABA60-370-QRX	10 / 55 / 60
EABA75-300-QRX	12 / 70 / 75
EABA95-240-QRX	19 / 90 / 95

扭矩范围 (ft.lb)

型号	最小 / 标称 / 最大
EABA26-560-QRX	1.12 / 5.40 / 5.85
EABA32-410-QRX	1.57 / 6.74 / 7.19
EABA45-330-QRX	2.02 / 8.99 / 10.12
EABA50-450-QRX	2.02 / 10.12 / 11.24
EABA60-370-QRX	2.25 / 12.36 / 13.49
EABA75-300-QRX	2.70 / 15.74 / 16.86
EABA95-240-QRX	4.27 / 20.23 / 21.36

额定转速 (rpm)

型号	
EABA26-560-QRX	560
EABA32-410-QRX	410
EABA45-330-QRX	330
EABA50-450-QRX	450
EABA60-370-QRX	370
EABA75-300-QRX	300
EABA95-240-QRX	240

重量

型号	(kg)	(lb)
EABA26-560-QRX	2.04	4.50
EABA32-410-QRX	2.04	4.50
EABA45-330-QRX	2.21	4.87
EABA50-450-QRX	2.49	5.49
EABA60-370-QRX	2.82	6.22
EABA75-300-QRX	3.42	7.54
EABA95-240-QRX	3.46	7.63

Safety Information

i 重量不含电池组。

储藏和使用条件

储藏温度	-20 至 +70°C (-4 至 +158 F)
工作温度	0 至 45 °C (32 至 113 F)
储藏湿度	相对湿度 0-95% (无冷凝)
工作湿度	相对湿度 0-90 % (无冷凝)
海拔高度	2000 米 (6562 英尺) 以内
可用于 2 级污染环境	
仅限室内使用	

无线通信规范

RFID 13.56 MHz

频率	13.553 MHz - 13.567 MHz
字段	< 42 dBµA/m at 10 m according to ETSI EN 300 330 v2.1.1

声明

责任

在工作环境下，许多情况可能影响拧紧流程，为此须对结果进行验证。在此，我们要求用户遵守相关标准和/或法规，在出现可能影响拧紧结果的情况后，检查安装的扭矩和旋转方向。此类情况的示例包括但不限于：

- 工具系统初始安装
- 更改部件批次、螺栓、螺钉批次、工具、软件、配置或环境
- 更改通风或电气连接
- 更改管路人体工程学特性、流程、质量程序或操作法
- 更换操作员
- 任何影响拧紧流程结果的其他变更

检查应：

- 确保未因发生的影响情况改变接头状况。
- 在设备初始安装、维护或修理后实施。
- 至少在每次换班后检查一次或以合适的频率进行检查。

EU 符合性声明

我们 (Ets Georges Renault, 38 rue Bobby Sands, 44818 Saint Herblain, France) 全权声明，本产品 (名称、型号和序列号，请见首页) 符合以下指令：
2006/42/EU、2014/65/EU、2014/53/EU

应用的协调标准：

EN 62841-2-2:2015+AC1:2015 EN 61000-6-2:2005 EN 61000-6-3:2007+A1:2011 EN 55014-3:2006 EN 55014-2:200

当局可索取相关技术信息：

Pascal ROUSSY, R&D Manager, 38 rue Bobby Sands, 44818 Saint Herblain, France

Saint-Herblain, 2021/09/13

Pascal ROUSSY, R&D Manager

发布者签名

关于在电子电气设备中限制使用某些有害物质指令 (RoHS) 的信息

产品中有毒物质的名称及含量

部件名称	有毒有害物质或元素					
	铅 (Pb)	汞 (Hg)	镉 (Cd)	六价铬 (Cr(VI))	多溴联苯 (PBB)	多溴二苯醚 (PBDE)
电子组件 / Electronics module	x	o	o	o	o	o
外壳 / Housing	o	o	o	o	o	o
马达 / Motor	o	o	o	o	o	o
齿轮组件 / Gear unit	o	o	o	o	o	o
输出轴组件 / Front part	o	o	o	o	o	o

本表格依据SJ/T11364的规定编制
○：表示该有毒物质在该部件所有均质材料中的含量均在GB/T 26572 规定的限量要求以下。
×：表示该有毒物质至少在该部件的某一均质材料中的含量超出GB/T 26572标准规定的限量要求。

噪音与振动声明

- 声功率级 < 70dB(A)，不确定度 3 dB(A)，根据 EN 62841-2-2 : 2014。
- 振动总值 < 2.5m/s²，不确定度 3 m/s²，根据 EN 62841-2-2 : 2014。

这些声明值均根据所述标准通过实验室型式试验得出，适用于与采用相同标准试验的其他工具之声明值进行比较。震动发射水平可以用于进行暴露初步评估。此类声明值不适合用于风险评估，在个别作业场所测得的数值可能会更高。个别用户经受的实际暴露值以及危害风险可能因人而异，具体视该用户的作业方式、工件及工作站设计、暴露时间以及其身体状况而定。

Ets Georges Renault, 郑重声明：对于不受其控制的工作场所状况下进行的单独风险评估，如使用声明值而非实际暴露值，则 Desoutter 对其后果不负任何责任。

若未经充分处理就使用本工具，可能会引起手臂震动症状。有关预防手臂振动的 EU 指南，请通过访问<http://www.pneurop.eu/index.php> 并选择“工具” - “法规”进行查看。

我们建议制定一个健康监督方案，以尽早检测出可能与振动接触相关的早期症状，从而对管理程序进行修改，避免今后造成损害。

- i** 如果本设备适合于拧紧机系统：所提供的噪声排放信息可供机器装配者参考。整套机器的噪声和振动发射数据应在机器的指导手册中提供。

WEEE

涉及电子电气设备废弃物 (WEEE) 的信息：

本产品及其信息符合 WEEE 指令/法规 (2012/19/EU) 的相关要求且应按此指令/法规操作处理。

本产品标有以下符号：



标有划线带轮垃圾桶符号、下面有单根黑条的产品表示包含必须按照 WEEE 指令/法规进行处理的部件。可以将整个产品或 WEEE 部件送往“客户服务中心”进行处理。

有关 REACH 第 33 条的信息

欧洲法规 (EU) No. 1907/2006 化学品的注册、评估、授权和限制 (REACH) 定义了与供应链中通信相关的要求。信息要求也适用于含有所谓高度关注物质 (“候选列表”) 的产品。2018 年 6 月 27 日, 铅金属 (CAS 编号 7439-92-1) 被纳入候选列表。

根据上述要求, 特此通知您产品中的某些电气和机械部件可能含有铅金属。这符合现行的物质限制法规, 并基于 RoHS 指令 (2011/65/EU) 中的合法豁免。在正常使用过程中, 铅金属不会从产品中泄漏或突变, 并且整个产品中的铅金属浓度远低于适用的阈值限制。请考虑当地对产品寿命终止时铅处置的要求。

区域性要求

警告

该产品可能会使您暴露于化学物质 (包括铅), 加利福尼亚州已明确铅可导致癌症和先天缺陷或其他生殖危害。更多信息请访问

<https://www.p65warnings.ca.gov/>

安全

切勿丢弃 – 请交给使用者

警告 安装、操作以及维护过程中必须始终遵守当地的安全法规。

使用声明

- 仅供专业使用。
- 此产品及其附件不得以任何形式进行改造。
- 如果此产品已损坏, 则不得使用。
- 如果产品上的产品数据或危险警示牌不再清晰可读或已脱落, 请立即更换。
- 该产品必须只能由具有相关资质的人员在工业环境中安装、操作和维护。

预期用途

本产品适用于安装和拆卸木材、金属或塑料中的螺纹紧固件。不得用于其他用途。仅供专业人士使用。

仅可使用下列 Desoutter 电池组。

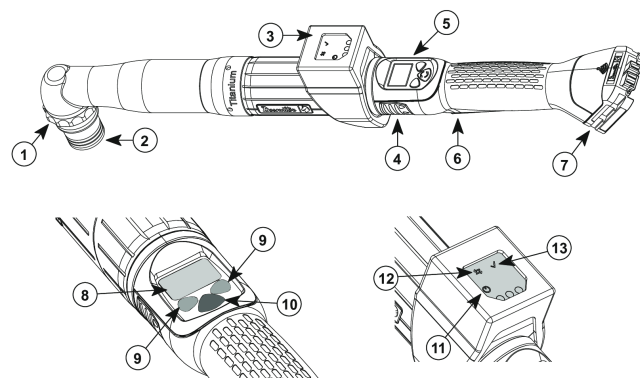
- 电池组 18 V 2.5 Ah, 部件编号 6158132660
- 电池组 36 V 2.5 Ah, 部件编号 6158132670

必须且仅可使用 Desoutter 电池组充电器 (6158132700) 给电池组充电。

有关完整的说明, 请访问 <https://www.desouttertools.com/resource-centre> 参阅各种语言的电池组充电器安全说明 (6159925310) 和产品说明。

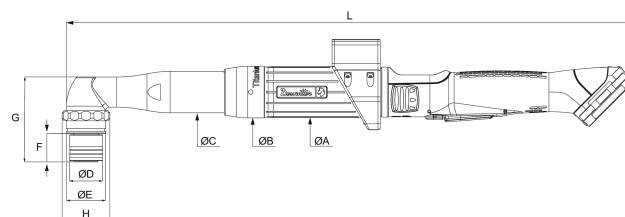
产品特定说明

产品描述



- 1 Crowfoot 安装适配器
- 2 快速释放输出
- 3 QR 配件阅读器
- 4 报告 LED
- 5 显示屏和按钮
- 6 触发器
- 7 电池足迹
- 8 显示屏
- 9 编程按钮
- 10 换向按钮
- 11 显示配件开启的指示灯。
- 12 正在读/写
- 13 分配的 Pset 已准备就绪。

尺寸 (mm)



型号	L	ØA	ØB
EABA26-560-QRX	496	46	46
EABA32-410-QRX	496	46	46
EABA45-330-QRX	506	46	46
EABA50-450-QRX	546	46	46
EABA60-370-QRX	559	46	58
EABA75-300-QRX	582	46	58
EABA95-240-QRX	582	46	58

Safety Information

型号	ØC	D	E
EABA26-560-QRX	37	25	28
EABA32-410-QRX	37	25	28
EABA45-330-QRX	37	30	35
EABA50-450-QRX	37	30	35
EABA60-370-QRX	41	33	40
EABA75-300-QRX	49	34	43
EABA95-240-QRX	49	34	43

型号	F	G	H
EABA26-560-QRX	22	68	35
EABA32-410-QRX	22	68	35
EABA45-330-QRX	25	76	44
EABA50-450-QRX	25	76	44
EABA60-370-QRX	27	85	49
EABA75-300-QRX	28	88	52
EABA95-240-QRX	28	88	52

一般安装安全

只能由具有相应资质的人员来执行安装工作。

将工具牢固地悬挂起来，例如使用平衡机构。使用悬挂吊环时，检查吊环的状况并确保螺丝拧紧。

对于有线工具：始终将系统连接至接地插座。在连接或断开工具电缆之前，须始终确保断开电源插头并关闭控制器。

一般操作安全

- 由于存在缠绕风险，请勿佩戴手套。
- 工具使用过程中会有反作用力，请对此有所准备。在主轴旋转的相反方向始终安全地支撑住工具把手，以减少在最后拧紧和初始松开期间突然的扭矩反作用所产生的影响。
- 不得握住驱动装置、套筒或驱动器延长件。
- 操作人员和维护人员必须有足够的体力掌握体大沉重的动力工具。
- 如有可能，应使用悬臂以抵御反作用转矩。如不可能，对于手钻和带握把手钻工具，建议使用侧手柄；对于角度螺母扳手，建议使用反作用杆。我们建议应避免采取各种方式抵御反作用转矩以避免：手钻工具超过 4 Nm (3 lbf.ft)；带握把手钻工具超过 10 Nm (7.5 lbf.ft)；角度螺母扳手超过 60 Nm (44 lbf.ft)。
- 紧固件拧得过紧或过松可能导致严重伤害。配件需要特定的扭矩，因此必须使用扭矩计进行检查。所谓的“棘爪”扭矩扳手无法检查是否存在扭矩过大的危险情况。紧固件拧得过紧或过松可能会断裂、松动或分离。弹射出的配件可能相当于射出的子弹。
- 只能使用完好的电动或机动扳手。不得使用手动扳手。
- 使用电动工具时，操作人员的双手、手臂、肩膀、脖子或身体其他部位可能会感到不适。整个工作日都在适当的姿势之间变化，保持站稳，避免采用别扭或容易导致身体失去平衡的姿势。

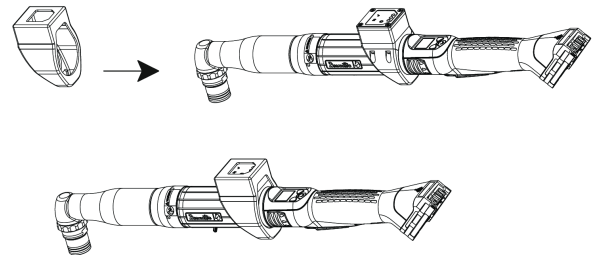
- 重复性动作、别扭的姿态和受到振动可能对双手和手臂造成伤害。如果发现手脚麻木、刺痛、疼痛或皮肤发白，应停止使用本工具并即刻就医。
- 在密闭空间内操作时要小心。不要把手放在工具和工件之间，以避免手被夹伤。
- 高分贝的声音可能造成永久性听力丧失。请佩戴贵公司建议的或符合职业健康和安全管理规范的听力保护装置。
- 确保工件牢固固定。
- 在不熟悉的环境中，请谨慎操作。要清楚您的作业活动可能导致的潜在危险。此工具并未与电源隔离。

与反作用力臂一起使用的工具：使用工具时绝对不要让手靠近反作用力臂。在启动工具前必须清楚轴的旋转方向，否则可能会导致意外方向的反作用力，带来挤压伤的风险。

对于包含离合器的工具：调整完离合器后，立即检查能否正确操作。

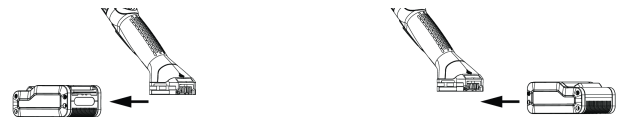
如何在阅读器上安装盖子

- ① 强烈建议安装包装中提供的盖子，以保护阅读器免受冲击和损坏。



滑动工具上的盖子。
用力将其推过阅读器。

插入电池组



将电池组插入工具的前面或后面，直到听见清晰的锁定声音。

没有 ON/OFF 开关：电池组装上后工具就可以开始运作。

当工具开启时，工具 LED 闪烁。

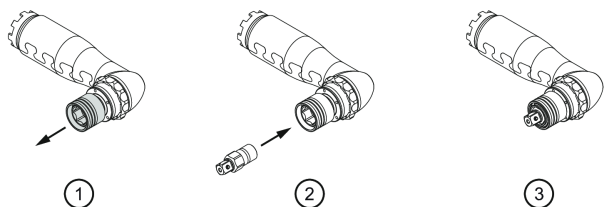
注意 电池组使用建议
确保电池组的使用寿命更长。

- ▶ 不使用工具时拔下电池组。

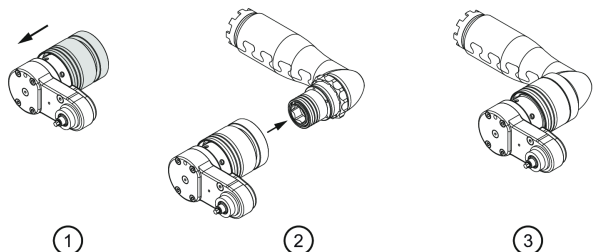
充电器电源关闭时，请勿将电池组放在充电器上。

如何插入配件

套筒



Crowfoot



如图所示，将配件插入快速释放输出，并为其分配一个 Pset。

启动工具

使用合适的套筒安装工具。

选择适当的 Pset。

通过手柄握住工具并将其施加到待拧紧紧固件上。

⚠ 警告 受伤风险

由于反作用力与拧紧扭矩成比例地增加，因此存在由于工具的意外行为而导致操作员身体严重受伤的风险。

- ▶ 确保工具处于完好工作状态并且控制器编程正确。

按下触发器以启动工具。

如何换向旋转



1 运行换向按钮

按下此按钮。

红色和绿色 LED 交替闪烁。

将工具施加于紧固件并按下触发器。

一般保养和维护安全

在维护期间务必保持控制器关闭，以避免意外启动。

仅将维护工作交给具有相关资质的人员。

清洁说明

用湿布清洁部件。只能用水清洁，而不应使用含有溶剂的清洁剂。

请联系您的 Desoutter 服务技术人员，以获取有关当前建议以及您的特定工具的清洁建议。

电动工具通用安全警告

⚠ 警告 阅读随本电动工具提供的所有安全警告、说明、图解和规定。

不遵守下列全部说明可能导致电击、火灾和/或严重的伤害。

保存所有警告和说明书以备查阅。

警告中的术语“电动工具”指市电驱动（有线）电动工具或电池驱动（无线）电动工具。

工作区域安全

- 保持工作区域清洁和明亮。混乱和黑暗的场地会引发事故。
- 不得在爆炸性环境（例如存在易燃液体、气体或粉尘的环境）中操作电动工具。电动工具产生的火花会点燃粉尘或气体。
- 操作电动工具时，请让儿童和旁观者远离。注意力不集中会使操作者失去对工具的控制。

电气安全

- 电动工具插头必须与插座相配。绝不能以任何方式改装插头。需接地的电动工具不能使用任何转换插头。未经改装的插头和相配的插座将减少电击危险。
- 避免人体接触接地表面，如管道、散热片和冰箱。如果你身体接地会增加电击危险。
- 不得将电动工具暴露在雨中或潮湿环境中。水进入电动工具将增加电击危险。
- 不得滥用电线。切勿通过电线搬运、拉动电动工具或拔出其插头。使电线远离热源、油、锐边或运动部件。损坏或缠绕的电线会增加触电风险。
- 当在户外使用电动工具时，请使用适合户外使用的外接软线。适合户外使用的软线将减少电击危险。
- 如果在潮湿环境下操作电动工具是不可避免的，应使用剩余电流动作保护器 (RCD)。使用 RCD 可减少电击危险。

人身安全

- 保持警觉，当操作电动工具时关注所从事的操作并保持清醒。当你感到疲倦，或在有药物、酒精或治疗反应时，不要操作电动工具。在操作电动工具时瞬间的疏忽会导致严重人身伤害。
- 使用个人防护装置。始终佩戴护目镜。安全装置，诸如适当条件下使用防尘面具、防滑安全鞋、安全帽、听力防护等装置能减少人身伤害。
- 防止意外启动。确保开关在连接电源和/或电池盒、拿起或搬运工具时处于关断位置。手指放在已接通电源的开关上或开关处于接通时插入插头可能会导致危险。
- 在电动工具接通之前，拿掉所有调节钥匙或扳手。遗留在电动工具旋转零件上的扳手或钥匙会导致人身伤害。
- 手不要伸展得太长。时刻注意立足点和身体平衡。这样在意外情况下能很好地控制电动工具。
- 着装适当。不要穿宽松衣服或佩戴饰品。让你的头发和衣服远离运动部件。宽松衣服、佩饰或长发可能会卷入运动部件中。

Safety Information

- 如果提供了与排屑、集尘设备连接用的装置，要确保他们连接完好且使用得当。使用这些装置可减少尘屑引起的危险。
- 不要以为熟练操作工具就自满大意，而忽视工具安全原则。操作疏忽可能瞬间导致重伤。
- 在执行紧固件可能会接触隐藏的配线或其自身软线的操作时，应通过绝缘抓握表面握住电动工具。紧固件接触“带电”导线可能会使电动工具的裸露金属部件“带电”并且可能使操作者触电。

电动工具使用和注意事项

- 不要滥用电动工具。根据用途使用适当的电动工具。选用适当设计的电动工具会使你工作更有效、更安全。
- 如果开关不能接通或关闭工具电源，则不能使用该电动工具。不能用开关来控制的电动工具是危险的且必须进行修理。
- 在进行任何调节、更换附件或存放电动工具之前，必须从电源上拔掉插头和/或使电池组（如果可拆卸）与电动工具脱开。这种防护性措施将减少工具意外起动的危险。
- 将闲置不用的电动工具贮存在儿童所及范围之外，并且不要让不熟悉电动工具或对这些说明不了解的人操作电动工具。电动工具在未经培训的用户手中是危险的。
- 维护电动工具和配件。检查运动件是否调整到位或卡住，检查零件破损情况和影响电动工具运行的其他状况。如有损坏，电动工具应在使用前修理好。许多事故由维护不良的电动工具引发。
- 保持切削刀具锋利和清洁。保养良好的有锋利切削刃的刀具不易卡住而且容易控制。
- 按照使用说明书，考虑作业条件和进行的作业来使用电动工具、附件和工具的刀头等。将电动工具用于那些与其用途不符的操作可能会导致危险。
- 保持手柄和抓握表面清洁、干爽，同时不含润滑油和润滑脂。在出现意外状况时湿滑的手柄和抓握表面将无法安全操控工具。

电池供电工具的使用与保养

- 必须使用厂商指定的充电器充电。将适合一种电池组类型的充电器用于其他电池组时，有造成火灾的危险。
- 必须将电动工具与专门指定的电池组配套使用。使用任何其他电池组都有造成受伤和火灾的风险。
- 当不使用电池组时，使其远离曲别针、硬币、钥匙、钉子、螺钉等其他金属物件，或者会导致接线端互相连接的其他小型金属物件。电池端子之间短路可能会造成烧烫伤或火灾。
- 使用不当时，电池液可能会从电池内喷出；避免接触。如果发生意外接触，用清水冲洗。如果液体接触眼睛，还应寻求医疗救助。电池中泄漏出的液体可能会导致刺激或灼伤。
- 不得使用受损或改装的电池组或工具。受损或改装的电池可能出现意外问题，从而导致火灾、爆炸或受伤风险。
- 不得将电池组或工具置于火旁或使其经受超高温。置于火旁或经受超过 130 °C 的温度可能引起爆炸。

- 遵守各项充电操作说明，不得在操作说明规定的温度范围之外给电池组或工具充电。充电不当或在规定的温度范围之外充电可能损坏电池并增大着火的风险。

服务

- 将你的电动工具送交专业维修人员，使用同样的备件进行修理。这样将确保所维修的电动工具的安全性。
- 切勿修理损坏的电池组。只能由制造商或授权服务提供商对电池组进行维修。

标志和贴纸

产品配备的标贴含有个人使用安全和产品维护方面的重要信息。标贴应始终易于阅读。可以使用备件列表订购新标贴。



s011050

有用的信息

网站

有关我们的产品、配件、备件和已发布事项的信息，请访问 Desoutter 网站。

请访问：www.desouttertools.com。

安装手册信息

有关详细的操作说明、安装和升级手册，请访问：<https://www.desouttertools.com/resource-centre>。

备件信息

若要在 Service Link 中查看分解图和备件列表，请访问：www.desouttertools.com。

原产地

France

安全数据表 MSDS/SDS

安全数据表描述 Desoutter 销售的化学产品。

有关更多信息，请访问 Desoutter 网站 <https://www.desouttertools.com/legal/sds>。

版权所有

© 版权所有 2022, Ets Georges Renault, 38 rue Bobby Sands, 44818 Saint Herblain, France

保留所有权限。禁止对此内容或其部分内容进行任何未经授权的使用或复制。本规定专门适用于商标、型号名称、部件编号和图纸。请仅使用经授权的部件。保修或产品责任不包括任何由于使用未经授权的部件而造成的损坏或故障。

技術データ

技術データ

電圧 (V)

36 V 

出力駆動

型式	タイプ
EABA26-560-QRX	クイックリリース出力
EABA32-410-QRX	クイックリリース出力
EABA45-330-QRX	クイックリリース出力
EABA50-450-QRX	クイックリリース出力
EABA60-370-QRX	クイックリリース出力
EABA75-300-QRX	クイックリリース出力
EABA95-240-QRX	クイックリリース出力

トルク範囲 (Nm)

型式	最小/公称/最大
EABA26-560-QRX	5 / 24 / 26
EABA32-410-QRX	7 / 30 / 32
EABA45-330-QRX	9 / 40 / 45
EABA50-450-QRX	9 / 45 / 50
EABA60-370-QRX	10 / 55 / 60
EABA75-300-QRX	12 / 70 / 75
EABA95-240-QRX	19 / 90 / 95

トルク範囲 (ft.lb)

型式	最小/公称/最大
EABA26-560-QRX	1.12 / 5.40 / 5.85
EABA32-410-QRX	1.57 / 6.74 / 7.19
EABA45-330-QRX	2.02 / 8.99 / 10.12
EABA50-450-QRX	2.02 / 10.12 / 11.24
EABA60-370-QRX	2.25 / 12.36 / 13.49
EABA75-300-QRX	2.70 / 15.74 / 16.86
EABA95-240-QRX	4.27 / 20.23 / 21.36

定格回転数 (rpm)

型式	
EABA26-560-QRX	560
EABA32-410-QRX	410
EABA45-330-QRX	330
EABA50-450-QRX	450
EABA60-370-QRX	370
EABA75-300-QRX	300
EABA95-240-QRX	240

重量

型式	(kg)	(lb)
EABA26-560-QRX	2.04	4.50
EABA32-410-QRX	2.04	4.50
EABA45-330-QRX	2.21	4.87
EABA50-450-QRX	2.49	5.49
EABA60-370-QRX	2.82	6.22
EABA75-300-QRX	3.42	7.54
EABA95-240-QRX	3.46	7.63

① 重量はバッテリーパックなしの重量です。

保管と使用条件

保管温度	-20 ~ +70 °C (-4 ~ +158 F)
作動温度	0 ~ 45 °C (32 ~ 113 F)
保管湿度	0 ~ 95% RH (結露しないこと)
動作湿度	0 ~ 90% RH (結露しないこと)
最高高度	2000メートル (6562フィート)
汚染度2環境で使用可能 屋内使用のみ	

ワイヤレス通信の仕様

RFID 13.56 MHz

周波数	13.553 MHz ~ 13.567 MHz
Hフィールド	ETSI EN 300 330 v2.1.1に準拠した10mで42dBμA/m未満

宣言

責任

動作環境における多くの事象が締め付けプロセスに影響を与える可能性があり、結果の検証が必要となります。適用規格および/または規制に準拠して、当社は、ここで、締め付け結果に影響を与える可能性のある事象があった場合に、導入したトルクおよび回転方向を確認いただくよう要請します。このような事象の例として、以下のものがありますが、これらに限定されるものではありません。

- ツーリングシステムの初めての設置
- 部品バッチ、ボルト、ネジバッチ、ツール、ソフトウェア、構成または環境の変更
- 空気接続または電気接続の変更
- ライン人間工学、プロセス、品質手順または慣行の変更
- オペレーターの変更

Safety Information

- ・ 締め付けプロセスの結果に影響を与えるその他の変更

以下について確認する必要があります。

- ・ 影響のある事象によりジョイントの条件が変更されていないこと。
- ・ 初めての機器の設置、メンテナンスまたは修理後に完了していること。
- ・ 少なくともシフト毎に一回、または他の適切な頻度に行うこと。

EU 適合宣言

弊社 Ets Georges Renault, 38 rue Bobby Sands, 44818 Saint Herblain, France は、弊社製品 (名称、型式、およびシリアル番号に関してはフロントページ参照) が次の指令に準拠していることを、当社単独責任の下で宣言します：

2006/42/EC, 2011/65/EU, 2014/53/EU

適用する整合規格：

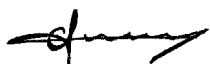
EN 62841-2-2 :2015+AC1 :2015 EN 61000-6-2 :2005 EN 61000-6-3 :2007+A1 :2011 EN 61326-2-3 :2006 EN 301 489-3 V2.1.1 EN 62311 :200

当局は、以下から関連する技術情報を要求できます。
Pascal ROUSSY, R&D Manager, 38 rue Bobby Sands,
44818 Saint Herblain, France

Saint Herblain, 2021年9月13日

Pascal ROUSSY, R&D Manager

発行者による署名



騒音と振動に関する宣言

- ・ 音響出力レベル < 70dB(A)、不確かさ 3 dB(A)、準拠規格：EN 62841-2-2 : 2014。
- ・ 振動合成値 < 2.5m/s²、不確かさ 3 m/s²、準拠規格：EN 62841-2-2 : 2014。

これらの宣言値は、規定の基準に従って行われた実験室環境でのテストにより得られたもので、同じ基準に従ってテストされた他のツールの宣言値との比較に適します。放出振動レベルは、曝露の先行評価に使用できます。これらの宣言値は、リスク評価における使用には適しておらず、個々の作業現場における測定値が宣言値を上回る場合もあり得ます。実際の暴露値と個々の使用者が被る被害は様々であり、使用者の作業方法、作業対象物、作業環境、および使用者の暴露時間と健康状態に依存します。

私ども Ets Georges Renault は、弊社が管理できない作業場所の状況における個々のリスク評価において、実際の露出を反映した値ではなく宣言した値を使用した影響に対して責任を負うことはできません。

本ツールの利用が適切に管理されていなければ、手腕振動障害を引き起こすことがあります。手腕振動を管理するための EU のガイドは、<http://www.pneurop.eu/index.php> にアクセスし、「ツール」、次に「法制」を選択すれば見ることができます。

振動暴露によると思われる初期症状を発見するために、定期的な健康診断の実施が望まれます。これにより、将来の機能障害を防ぐための管理手法を見直すことが可能となります。

- ① 本装置を固定して使用する場合、放出騒音は機械組立員への参考として表示してあります。完成機械用の放出騒音および放出振動のデータは機械の取扱説明書に記載されています。

WEEE

電気・電子機器廃棄物 (WEEE) に関する情報：本製品およびその情報は、WEEE 指令/規制 (2012/19/EU) の要件を満たしており、この指令/規制を遵守して取り扱う必要があります。

本製品には、以下の記号のマークが表示されています。



ゴミ箱に×(バツ)が付いたマークとその下に一本の太い棒がある製品には、WEEE指令/規制に準拠して取り扱う必要のある部品が含まれています。製品全体、またはWEEE部品は、取り扱いのために「お客様センター」に送ることができます。

REACH第33条に関する情報

化学物質の登録、評価、認可および制限に関する欧州 (EU) 規制第1907/2006号 (REACH) は、とりわけサプライチェーンにおけるコミュニケーションに関する要件を定義しています。情報要件は、いわゆる「高懸念物質 (SVHC)」(「候補リスト」) を含む製品にも適用されます。2018年6月27日に、鉛金属 (CAS番号 7439-92-1) が候補リストに追加されました。

本書は、製品の特定の電気的および機械的部品が鉛金属を含む可能性があることを、上記に従ってお知らせすることを目的としています。これは現行の化学物質規制法に準拠しており、RoHS指令 (2011/65/EU) の合法的免除に基づいています。通常の使用中に鉛金属が製品から漏れたり、変化することはありません。また、製品全体の中の鉛金属の濃度は、該当する限界値をはるかに下回ります。製品の寿命終了時における鉛の処理に関する地域の要件をご考慮ください。

地域の要件

⚠ 警告

本製品によって、カリフォルニア州において癌や出生異常、その他生殖能への悪影響を引き起こすことが知られている鉛などの化学物質に晒されることがあります。詳細情報については<https://www.p65warnings.ca.gov/> をご覧ください。

<https://www.p65warnings.ca.gov/>

安全

捨てないでください - ユーザに渡してください

⚠ 警告 設置、運転、およびメンテナンスに関連する、地域で制定された安全基準は常に順守されなければなりません。

使用に関するステートメント

- 業務用専用です。
- 本製品とその付属品は絶対に改造しないでください。
- 損傷している場合は本製品を使用しないでください。
- 本製品のツールデータ、危険性の警告サインの読み取りができなくなったり、外れている場合、即座に交換してください。
- 本製品は、工業的環境において有資格の担当者のみが設置、操作、修理するようにしてください。

用途

本製品は、木製、金属製、またはプラスチック製のネジ山式ファスナの取り付けと取り外し用に設計されています。その他の使用は許可されていません。工業用に限るものとします。

次のDesoutterバッテリーパックのみを使用してください。

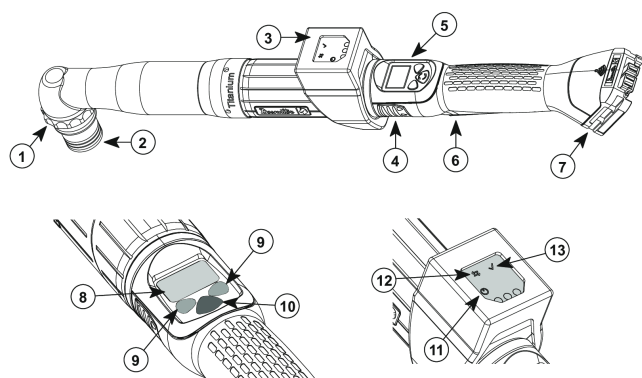
- バッテリーパック18 V 2.5 Ah、部品番号 6158132660
- バッテリーパック36 V 2.5 Ah、部品番号 6158132670

バッテリーパックの充電には、Desoutterバッテリーパック充電器 (6158132700) のみを使用してください。

完全な手順については、<https://www.desouttertools.com/resource-centre> でバッテリーパック充電器の安全に関する指示 (6159925310) および製品の説明を参照してください。複数の言語でご用意しています。

製品の詳細説明書

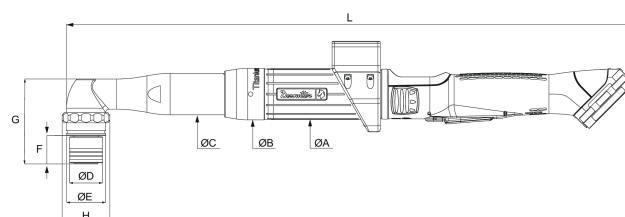
製品の説明



- 1 Crowfoot用取付アダプタ
- 2 クイックリリース出力口

- 3 QRアクセサリリーダー
- 4 LED報告
- 5 ディスプレイとボタン
- 6 トリガ
- 7 バッテリー設置面積
- 8 ディスプレイ
- 9 プログラミングボタン
- 10 逆回転ボタン
- 11 アクセサリの電源が入っていることを示すインジケータ。
- 12 読み取り/書き込み中
- 13 割り当てられたPsetの準備ができています。

寸法 (mm)



型式	L	ØA	ØB
EABA26-560-QRX	496	46	46
EABA32-410-QRX	496	46	46
EABA45-330-QRX	506	46	46
EABA50-450-QRX	546	46	46
EABA60-370-QRX	559	46	58
EABA75-300-QRX	582	46	58
EABA95-240-QRX	582	46	58

型式	ØC	D	E
EABA26-560-QRX	37	25	28
EABA32-410-QRX	37	25	28
EABA45-330-QRX	37	30	35
EABA50-450-QRX	37	30	35
EABA60-370-QRX	41	33	40
EABA75-300-QRX	49	34	43
EABA95-240-QRX	49	34	43

型式	F	G	H
EABA26-560-QRX	22	68	35
EABA32-410-QRX	22	68	35
EABA45-330-QRX	25	76	44
EABA50-450-QRX	25	76	44
EABA60-370-QRX	27	85	49
EABA75-300-QRX	28	88	52
EABA95-240-QRX	28	88	52

設置全般における安全上の注意

設置は、資格のあるスタッフにのみ依頼してください。

例えばバランスなどを使用してツールを安全に吊るします。吊り下げ金具を使用するときには、良好な状態で正しく固定されていることを確認してください。

有線ツールの接続：必ず接地付きコンセントにシステムを接続してください。ツールケーブルを接続、切断する前に、主プラグが未接続状態でコントローラの電源が切れていることを必ず確認してください。

操作一般に関する安全上の注意

- 巻き込みの危険性が有るため、手袋をはめないでください。
- ツール使用の際は反力に備えてください。最後の締め付け、または最初の緩めの際に起きる突然のトルク反動を軽減するため、ツールのハンドルを常に軸の回転と反対方向にしっかりと固定してください。
- 駆動部、ソケット、駆動延長部を決してつかまないでください。
- 作業者と保守要員には、このツールの大きさ、重量および動力の取り扱いが可能な身体能力が必要です。
- 可能であれば、反動トルクを吸収するサスペンションアームを使用してください。これが可能でなければ、まっすぐなケースのツールやピストルグリップツールの場合、サイドハンドルを推奨します。角度ナットランナの場合、反力バーを推奨します。まっすぐなケースのツールでは 4 Nm (3 lbf.ft) より大きなりアクショントルク、ピストルグリップツールでは 10 Nm (7.5 lbf.ft) より大きなりアクショントルク、角度ナットランナでは 60 Nm (44 lbf.ft) より大きなりアクショントルクを吸収する手段を使用することを推奨します。
- 締め具のトルクが大きすぎる場合や小さすぎる場合、重傷を負う可能性があります。特定のトルクを必要とする組み立てでは、トルクメーターで必ずトルクを確認してください。いわゆる「クリック」トルクレンチでは、潜在的に危険なトルク超過状態を確認することができません。トルクが大きすぎたり小さすぎる場合、締め具が破損したり、緩んだり、分離したりする可能性があります。アセンブリが外れると、飛散物になることがあります。
- 良好な状態の電源ソケットがインパクトソケットのみ使用してください。ハンドソケットを使わないでください。
- 電動工具の使用時に作業員が手や腕、肩、首、またはその他の身体部位に不快感を覚えることがあります。日中を通して適切な姿勢を保ちながら姿勢を変え、安全な足場を維持し、不自然な姿勢や不安定な姿勢を避けてください。
- 繰り返し作業、無理な姿勢、および振動にさらされると、手や腕に害となることがあります。麻痺やチクチクした痛みがある場合、または肌が蒼白化した場合、ツールの使用を止めて医師の診察を受けてください。

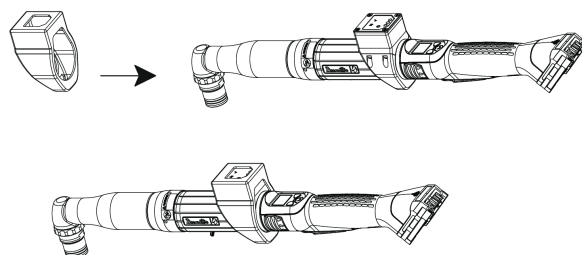
- 狭い場所で作業する場合は注意してください。ツールとワークピースの間に手が挟まれないようご注意ください。
- 高レベルの騒音により、永久に聴力が失われることがあります。ご自身の雇用者、または職業上の健康と安全のための規定で推奨される防音用耳栓を使用してください。
- ワークピースがしっかりと固定されているか確認してください。
- 慣れない環境で作業する場合は、細心の注意を払ってください。作業によって生じる可能性のある危険に注意を払ってください。このツールは、電源と接触する場合に対して絶縁されていません。

反力バーと併用するツール：ツール使用中には決して手を反力バーに近づけないでください。ツールを作動させる前に、スピンドルの回転方向を確認してください。反力が予期しない方向に作用し、圧挫傷の原因になることがあります。

クラッチのあるツール：クラッチの調整後、直ちに正確に作動するか確認してください。

リーダーへのカバー取り付け方法

- ① 衝撃や損傷からリーダーを保護するため、パッケージに付属のカバーを取り付けることを強くお勧めします。



ツールにカバーをスライドさせます。リーダー上で強く押し付けます。

バッテリーパックの挿入



ロック音がはっきり聞こえるまで、ツールの前部または後部にバッテリーパックを挿入します。

オン/オフスイッチはありません。バッテリーパックが取り付けられるとツールはすぐに動作できるようになります。

ツールの電源を入れると、ツールのLEDが点滅します。

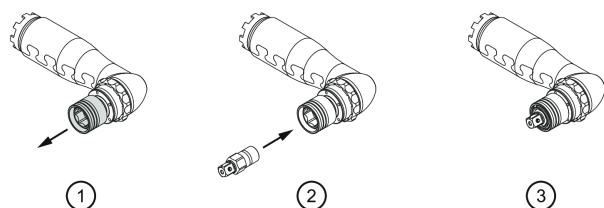
注記 バッテリーパックの使用に関する推奨事項
バッテリーパックをより長く使用できるようにします。

- ▶ ツールを使用していないときは、バッテリーパックのプラグを抜きます。

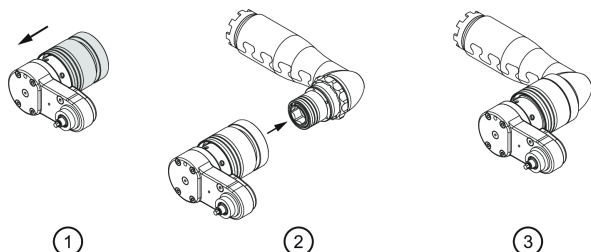
充電器の電源がオフのときには、バッテリーパックを充電器上に放置しないでください。

アクセサリの差し込み方

ソケット



Crowfoot



図に示すように、アクセサリをクイックリリース出口に接続し、Psetをそれに割り当てます。

ツールの起動

適切なソケットにツールを取り付けます。

適切なPsetを選択します。

ハンドルでツールを持ち、締め付ける留め具に使用します。

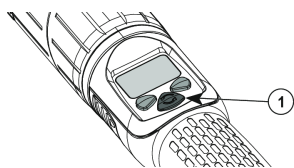
⚠ 警告 怪我をするリスク

反力は締め付けトルクに比例して増加するので、ツールの予期しない動作に起因して作業員が怪我をするリスクがあります。

- ▶ ツールが完全に作動し、システムが正しくプログラムされていることを確認してください。

トリガーを押してツールを始動させます。

回転を逆にする方法



1 リバースボタンを実行します

このボタンを押します。

赤色と緑色のLEDが交互に点滅します。

ツールを締結具に当てがい、トリガーを引きます。

保守およびメンテナンス全般における安全上の注意

予期しない始動を避けるために、サービス中は常にコントローラをオフにしたままにしてください。

サービスは、資格のあるスタッフにのみ依頼してください。

クリーニングの手順

部品は湿らせた布で清掃してください。水だけを使用し、溶剤を含む洗剤は使用しないでください。

Desoutterのサービス技術担当者までご連絡の上、現在の推奨事項、および特定のツールに関するクリーニングガイドラインについてお問い合わせください。

パワーツールの一般的な安全警告

⚠ 警告 この電動ツールに付属の安全上の警告、指示、イラストと仕様をすべてお読みください。

以下のすべての指示に従わない場合、感電、火災および/または重傷を負う可能性があります。

今後の参考のため、警告と指示をすべて保存してください。

警告の中の「電動ツール」という用語は、主電源（コード付き）動カツールまたはバッテリー作動（コードレス）動カツールを指します。

作業場の安全

- 作業場を清潔で明るく保ってください。乱雑な作業場または暗い作業場は事故を招きます。
- 可燃性の液体、ガス、または粉塵がある場所など、爆発性雰囲気中で電動ツールを操作しないでください。電動ツールは火花を発生させ、それによって粉塵やガスに引火することがあります。
- 電動ツールの操作中は、子供や第三者を近づけないでください。注意がそれると、操作を誤る可能性があります。

電気安全

- 電動ツールのプラグはコンセントと一致している必要があります。決してプラグを改造しないでください。アダプタプラグはアースされた（接地された）電動ツールと一緒に使用しないでください。改造されていないプラグとそれに適応するコンセントの使用で感電の危険性を低減することができます。
- パイプ、ラジエーター、レンジ、冷蔵庫などの接地された面に身体が触れないようにしてください。身体がアースされているか接地されていると、感電の危険性が高まります。
- 電動ツールを雨や濡れる状況にさらさないでください。電動ツール内に水が入ると感電の危険性が高まります。
- コードを手荒に扱わないでください。本体を運んだり、引っ張ったり、抜いたりするためにコードを使用することは絶対に避けてください。コードを熱、油、鋭いエッジ、可動部品に近づけないでください。ケーブルが損傷したり絡まると、感電のリスクが高くなります。
- 電動ツールを屋外で使用する場合は、屋外での使用に適した延長コードを使用してください。屋外での使用に適したコードを使用すると、感電の危険性が低減します。
- 湿った場所で電動ツールを操作することが避けられない場合は、残留電流装置（RCD）で保護された電源を使用してください。RCDを使用すると、感電の危険性が低減します。

個人の安全

- 注意を怠らず、作業に集中して、動力ツールを操作する際の常識に従って行動してください。疲れている際や薬物、アルコール、薬の影響下にある間は電動ツールを使用しないでください。電動ツールの操作中に注意が一瞬離れた場合でも、重傷を負う可能性があります。
- 個人用保護具を使用してください。常に保護眼鏡を着用してください。防塵マスク、滑り止めの安全靴、ヘルメット、適切な状況で使用される聴覚保護具などの保護具は、人体への傷害を低減させます。
- 意図しない始動が起きないように防いでください。電源やバッテリーパックに接続したり、ツールを持ち上げたり運んだりする前に、スイッチがオフの位置にあることを確認してください。スイッチに指をあてて電動ツールを持ち運んだり、スイッチがオンになっている電動ツールに通電させると、事故を招くことがあります。
- 本体の電源を入れる前に、調整キーまたはレンチを取り外してください。電動ツールの回転部分にレンチやキーを取り付けたままにしておくと、怪我をする可能性があります。
- 無理に手を伸ばして作業しないでください。常に適切な足場を確保してバランスを保ってください。これにより、予期しない状況が生じて電動ツールを制御出来る可能性が高まります。
- 適切な衣服を着用してください。ゆったりとした服や装身具を着用しないでください。髪や衣服を可動部分から遠ざけてください。ゆったりとした服、装身具類、長髪は、可動部分に巻き込まれる可能性があります。
- 粉塵の抽出・集塵設備に接続する装置が用意されている場合は、これらの装置が接続され、適切に使用されていることを確認してください。集塵機能を使用すると、粉塵関連の危険性を減らすことができます。
- ツールを頻繁に使用することから来た慣れによって無頓着になったり、ツールの安全原則を無視しないでください。不注意な行為は、一瞬のうちに重度の傷害を引き起こす可能性があります。
- 隠れている配線や締結具そのもののコードに接触するおそれのある場所でパワーツールを使用する場合、絶縁グリップのある所でツールを握って保持してください。「電圧の掛かっている」電線に接触する締結具により、パワーツールの露出金属部品に「電圧が掛かり」、作業者が感電するおそれがあります。

電動ツールの使用とケア

- 電動ツールを無理に使用しないでください。アプリケーションに適した正しい電動ツールを使用してください。適切な電動ツールは、設計された通りの速度でより良く、より安全な仕事を行います。
- スイッチでオンとオフが切り替わらない場合は、電動ツールを使用しないでください。スイッチで制御できない電動ツールは危険であり、修理が必要です。

- 調整、アクセサリの交換、または電動ツールの保管を行う前に、電源からプラグを外し、取り外し可能な場合は、電源からコンセントをおよび/またはバッテリーパックを取り外してください。このような予防安全対策は、電動ツールを誤って始動させるリスクを低減させます。
- アイドル状態の電動ツールをお子様の手が届かないところに保管し、電動ツールやこれらの指示を心得ていない者に電動ツールを操作させないでください。電動ツールは訓練を受けていないユーザーが使用すると危険です。
- 電動ツールとアクセサリメンテナンスを行ってください。可動部品のずれや固まり、部品の破損、電動ツールの動作に影響を与える可能性のあるその他の状態がないか確認してください。破損した場合は、使用前に電動ツールを修理してください。多くの事故は、電源ツールの手入れが不十分なことが原因です。
- 切削工具を鋭く清潔に保ってください。鋭利な刃先を持ち、適切にメンテナンスされた切削ツールは、固まる可能性が低く、制御が容易です。
- 作業条件と実行する作業を考慮して、これらの指示に従って、電動ツール、付属品、ツールビットなどを使用してください。製品の用途とは異なる操作に電動ツールを使用すると、危険な状況を起こす可能性があります。
- ハンドルと持ち手の表面を乾燥、清潔、油やグリースのない状態に保ってください。ハンドルとつかむ面が滑りやすくなっている場合、予期しない状況が生じた場合にツールの安全な取り扱いや制御が不可能となります。

バッテリーツールの使用とお手入れ

- メーカー指定の充電器でのみ充電してください。あるタイプのバッテリーパックに適した充電器は、別のバッテリーパックに使用すると火災の危険を招くおそれがあります。
- 電源ツールは、特に指定されたバッテリーパックでのみ使用してください。他のバッテリーパックを使用すると、怪我や火災の危険が生じる可能性があります。
- バッテリーパックを使用しない場合は、ペーパークリップ、コイン、キー、釘、ネジ、その他の小さな金属物など、端子の一方をもう一方の端子に接続する可能性のある金属物から離しておいてください。バッテリー端子が短絡すると、火傷や火災の原因となることがあります。
- 虐待的な状況では、液体がバッテリーから排出される場合があります。接触を避けてください。誤って接触した場合は、水で洗い流してください。液体が目に入った場合は、さらに医療の処置を受けてください。バッテリーから排出された液体は、刺激ややけどを引き起こす可能性があります。
- 損傷または改造されたバッテリーパックまたはツールは使用しないでください。バッテリーの破損や改造により、予期しない動作が発生し、火災、爆発、怪我の危険を引き起こす可能性があります。

- ・バッテリーパックやツールを火や過度の温度に晒さないでください。火や130 °C以上の温度にさらされると、爆発を起こす可能性があります。
- ・すべての充電手順に従い、説明書に記載されている温度範囲外でバッテリーパックやツールを充電しないでください。不適切に充電したり、指定された範囲外の温度で充電すると、バッテリーが損傷し、火災の危険性が高まります。

サービス

- ・同一の交換部品のみを使用して、資格のある修理担当者に電動ツールの修理を依頼してください。これにより、電動ツールの安全性が維持されます。
- ・損傷したバッテリーパックは絶対に修理しないでください。バッテリーパックの修理は、製造元または正規のサービス提供者のみが行ってください。

サインとステッカー

本製品には、個人の安全および製品のメンテナンスに関する重要な情報を記載した表示とステッカーがあります。表示とステッカーは、常に読みやすいものでなければなりません。スペアパーツリストで、新しい表示とステッカーをご注文いただけます。



s017050

有用な情報

ウェブサイト

当社の製品、付属品、スペアパーツおよび公表事項に関する情報は、DesoutterのWebサイトにてご覧いただけます。

次をご覧ください：www.desouttertools.com.

設定マニュアルに関する詳細

詳細な取扱説明書、インストール、アップグレードのマニュアルは <https://www.desouttertools.com/resource-centre> から入手できます。

スペアパーツに関する詳細

分解図および予備部品のリストは次のサービスリンク www.desouttertools.com でご覧ください。

生産国

France

安全データシート MSDS/SDS

安全データシートには、Desoutterが販売する化学製品が記載されています。

詳細情報については、Desoutterウェブサイト (<https://www.desouttertools.com/legal/sds>) を参照してください。

著作権

© 著作権 2022, Ets Georges Renault, 38 rue Bobby Sands, 44818 Saint Herblain, France

無断複写・複製・転載を禁ず。本書の内容の一部または全部を無断転載あるいは不正使用することは禁止されています。上記禁止行為は、特に商標、モデルの文書化、部品番号および図面に適用されます。認可済みの部品のみ使用してください。未認可の部品の使用によって引き起こされる一切の損傷または誤動作は、保証責任または製造物責任の対象とはなりません。

기술 자료

기술 데이터

전압 (V)

36 V

출력 드라이브

모델	유형
EABA26-560-QRX	퀵 릴리스 출력
EABA32-410-QRX	퀵 릴리스 출력
EABA45-330-QRX	퀵 릴리스 출력
EABA50-450-QRX	퀵 릴리스 출력
EABA60-370-QRX	퀵 릴리스 출력
EABA75-300-QRX	퀵 릴리스 출력
EABA95-240-QRX	퀵 릴리스 출력

토크 범위 (Nm)

모델	최소 / 명목상 / 최대.
EABA26-560-QRX	5 / 24 / 26
EABA32-410-QRX	7 / 30 / 32
EABA45-330-QRX	9 / 40 / 45
EABA50-450-QRX	9 / 45 / 50
EABA60-370-QRX	10 / 55 / 60
EABA75-300-QRX	12 / 70 / 75
EABA95-240-QRX	19 / 90 / 95

토크 범위 (ft.lb)

모델	최소 / 명목상 / 최대.
EABA26-560-QRX	1.12 / 5.40 / 5.85
EABA32-410-QRX	1.57 / 6.74 / 7.19
EABA45-330-QRX	2.02 / 8.99 / 10.12
EABA50-450-QRX	2.02 / 10.12 / 11.24
EABA60-370-QRX	2.25 / 12.36 / 13.49
EABA75-300-QRX	2.70 / 15.74 / 16.86
EABA95-240-QRX	4.27 / 20.23 / 21.36

Safety Information

정격 속도 (rpm)

모델	
EABA26-560-QRX	560
EABA32-410-QRX	410
EABA45-330-QRX	330
EABA50-450-QRX	450
EABA60-370-QRX	370
EABA75-300-QRX	300
EABA95-240-QRX	240

중량

모델	(kg)	(lb)
EABA26-560-QRX	2.04	4.50
EABA32-410-QRX	2.04	4.50
EABA45-330-QRX	2.21	4.87
EABA50-450-QRX	2.49	5.49
EABA60-370-QRX	2.82	6.22
EABA75-300-QRX	3.42	7.54
EABA95-240-QRX	3.46	7.63

❶ 무게는 배터리 팩을 제외한 상태로 측정됩니다.

보관 및 사용 조건

보관 온도	-20 ~ +70 °C (-4 ~ +158 F)
작동 온도	0 ~ 45 °C (32 ~ 113 F)
보관 습도	0-95 % RH (비응축)
작동 습도	0-90 % RH (비응축)
최대 고도	2000 m (6562 피트)
오염도 2 환경에서 사용 가능 실내 전용	

무선 통신 사양

RFID 13.56 MHz

주파수	13.553 MHz - 13.567 MHz
H-필드	ETSI EN 300 330 v2.1.1에 따라 10m에서 < 42dBμA/m

선언

책임

작동 환경에서 많은 현상이 조임 과정에 영향을 미칠 수 있으므로 결과에 대해 반드시 확인을 해야 합니다. 적용 기준 및/또는 규정에 따라, 당사는 귀하가 조임 결과에 영향을 미칠 수 있는 사건 이후 설치된 토크 및 회전 방향을 점검할 것을 요구합니다. 그러한 사건에 대한 예는 나열된 사항을 포함하며 그것에만 국한되지 않습니다:

- 툴링 시스템의 초기 설치

- 부품 묶음, 볼트, 나사 묶음, 공구, 소프트웨어, 구성 또는 환경의 변경
- 공기 연결 또는 배선 변경
- 작업 라인 인체공학, 프로세스, 품질 절차 또는 관행에서의 변경
- 조작 기사 변경
- 조임 과정의 결과에 영향을 미치는 기타 변경 사항

필수 점검 사항:

- 영향을 받은 현상으로 인해 연결 부위 상태가 변경되지 않았는지 확인해야 합니다.
- 초기 설치, 유지 관리 또는 장비 수리 후에 해야 합니다.
- 교대 조당 최소한 한 번 또는 다른 적절한 주기로 점검해야 합니다.

EU 적합성 선언

Ets Georges Renault, 38 rue Bobby Sands, 44818 Saint Herblain, France은(는) 제품(이름, 종류 및 일련번호 포함, 제1면 참조)이 다음 지침을 준수하고 있음을 당사의 전적인 책임 하에 선언합니다.

2006/42/EC, 2011/65/EU, 2014/53/EU

합의 표준 적용:

EN 62841-2-2 :2015+AC1 :2015 EN 61000-6-2 :2005 EN 61000-6-3 :2007+A1 :2011 EN 61326-2-3 :2006 EN 301 489-3 V2.1.1 EN 62311 :200

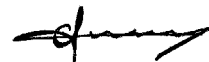
관련 기술 정보는 관계 당국에서만 요청할 수 있음:

Pascal ROUSSY, R&D Manager, 38 rue Bobby Sands, 44818 Saint Herblain, France

Saint-Herblain, 2021/09/13

Pascal ROUSSY, R&D Manager

발급자 서명



소음 및 진동 표시 선언

- EN 62841-2-2 : 2014에 따른 음성 출력 수준 < 70 dB(A), 불확실성 3 dB(A)
- EN 62841-2-2 : 2014에 따른 총 진동값 < 2.5 m/s², 불확실성 3 m/s²

이러한 표시 값은 언급된 표준에 따라 실험실 유형 테스트에 의해 획득되었으며 동일한 표준에 따라 테스트한 다른 공구의 표시 값과 비교하기에 적합합니다. 진동 방출 수준은 노출에 대한 사전 평가를 위해 사용될 수 있습니다. 이러한 표시 값은 위험 평가에 사용하기에 적합하지 않으며 개별 작업장에서 측정된 값이 더 높을 수 있습니다. 실제 노출 값과 개별 사용자가 경험한 유해 위험 수준은 고유하며 사용자의 작업 방식, 작업 대상물, 작업대 설계 뿐만 아니라 노출 시간 및 사용자의 신체적 조건에 따라 다릅니다.

Ets Georges Renault는 당사가 통제할 권한이 없는 작업장 상황에서 개별적인 위험 평가로 실제 노출을 반영하는 값 대신 표시 값의 사용에 따른 결과에 대해 책임을 지지 않습니다.

본 공구를 적절히 관리하면서 사용하지 않으면 손-팔 진동 증후군이 유발될 수 있습니다. 손-팔 진동 증후군 관리에 대한 EU 참고 자료는 <http://www.pneurop.eu/index.php>에 접속한 다음 '공구', '법규' 순으로 선택하면 확인할 수 있습니다.

당사는 소음 또는 진동 노출과의 관련 가능성이 있는 증상을 조기에 감지하는 건강 감시 프로그램을 권장하며, 이를 통해 관리 절차를 수정하여 향후 발생할 수 있는 장애를 사전에 차단할 수 있습니다.

❶ 이 장비는 고정 설비에 사용하도록 되어 있습니다. 소음 방출은 기계 설치업자의 참고 자료로 활용됩니다. 완성된 기계의 소음 및 진동 방출 데이터는 기계의 사용 설명서에 수록되어 있습니다.

WEEE

폐전기전자제품 (WEEE)에 관한 정보:

본 제품 및 해당 정보는 WEEE 지침/규정(2012/19/EU)의 요건을 충족하며, 반드시 해당 지침/규정에 따라 처리되어야 합니다.

본 제품에는 다음 기호가 표시되어 있습니다.



바퀴 달린 쓰레기통 기호와 그 아래에 검은 색 막대 하나가 표시된 제품에는 WEEE 지침/규정에 따라 처리해야 하는 부품이 포함되어 있습니다. 처리를 위해 전체 제품 또는 WEEE 부품은 “고객 센터”로 발송될 수 있습니다.

REACH 33조에 관한 정보

등록, 평가, 허가 및 화학 물질 규제(REACH: Registration, Evaluation, Authorization and restriction of Chemicals)에 관한 유럽 규정 (EU) No. 1907/2006은 공급망에서 커뮤니케이션과 관련된 요구 사항을 정의합니다. 정보 요구 사항은 소위 매우 우려가 되는 물질(이하 “후보목록”)이 포함된 제품에도 적용됩니다. 2018년 6월 27일 납 금속(CAS no 7439-92-1)이 후보 목록에 추가되었습니다.

위의 내용에 의거하여 제품의 특정 전기 및 기계 부품에 납 금속이 포함될 수 있음을 알려드립니다. 이는 현재의 물질 제한 법안에 적법하며 RoHS 지침(2011 / 65 / EU)의 합법적 면제에 근거합니다. 납 금속은 정상적인 사용 중에는 제품에서 누출되거나 변이가 되지 않으며, 완제품에서 납 금속의 농도는 적용 기준 한계보다 훨씬 낮습니다. 제품 폐기시 납의 폐기에 대한 현지 요구 사항을 고려하십시오.

지역 요구 사항

경고

이 제품을 사용하면 캘리포니아 주에서 보고된 암 및 선천적 장애 또는 기타 출산 장애를 유발하는 납을 포함한 화학 물질에 노출될 수 있습니다. 자세한 정보는 <https://www.p65warnings.ca.gov/> 웹 사이트를 참조하십시오.

<https://www.p65warnings.ca.gov/>

안전

버리지 마십시오 – 사용자에게 주십시오

⚠ 경고 설치, 운영 및 유지보수에 대해 지역별로 지정된 안전 규칙은 언제나 지켜야 합니다.

용도 선언

- 전문 용도로만 사용하십시오.
- 이 제품과 그 부속품을 변형시켜서는 안 됩니다.
- 이 제품이 손상된 경우 사용하지 마십시오.
- 제품 데이터 또는 위험 경고 징후가 보이거나 확실한 경우, 기다리지 말고 즉시 교체하십시오.
- 이 제품은 산업용 조립 환경에서 자격을 갖춘 담당자만 설치, 작동 및 수리할 수 있습니다.

용도

이 제품은 목재, 금속 또는 플라스틱에 나사 고정 장치를 설치하고 제거하는 용도로 설계되었습니다. 다른 용도로 사용하는 것을 금지합니다. 전문적인 용도로만 사용하십시오.

다음 데소터 배터리 팩만 사용하십시오.

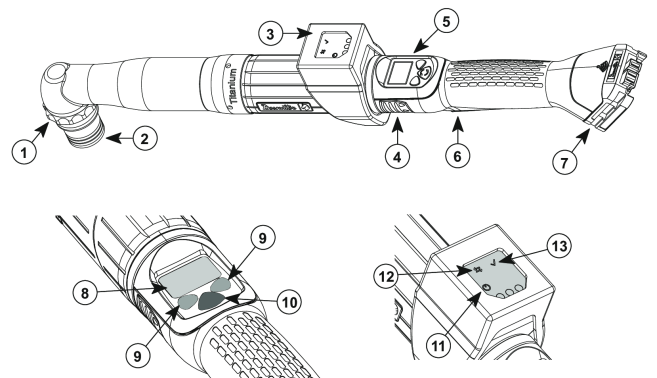
- 배터리 팩 18 V 2.5 Ah, 부품 번호 6158132660
- 배터리 팩 36 V 2.5 Ah, 부품 번호 6158132670

배터리 팩은 데소터 패터리 팩 충전기(6158132700)로만 충전해야 합니다.

자세한 지침은, <https://www.desouttertools.com/resource-centre>에서 배터리 팩 충전기 안전 지침(6159925310) 및 여러 언어로 제공되는 제품 지침을 참조하십시오.

제품별 설명

제품 설명

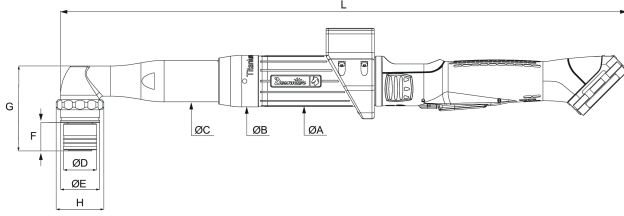


- 1 Crowfoot 장착 어댑터
- 2 킥-릴리스 출력
- 3 QR 부속품 리더기
- 4 보고 LED
- 5 디스플레이와 버튼
- 6 트리거
- 7 배터리 풋 프린트
- 8 디스플레이
- 9 프로그래밍 버튼

Safety Information

- 10 역방향 버튼
- 11 부속품 전원 상태를 나타내는 표시등
- 12 읽기/쓰기 중
- 13 할당된 Pset이 준비되었습니다.

크기 (mm)



모델	L	ØA	ØB
EABA26-560-QRX	496	46	46
EABA32-410-QRX	496	46	46
EABA45-330-QRX	506	46	46
EABA50-450-QRX	546	46	46
EABA60-370-QRX	559	46	58
EABA75-300-QRX	582	46	58
EABA95-240-QRX	582	46	58

모델	ØC	D	E
EABA26-560-QRX	37	25	28
EABA32-410-QRX	37	25	28
EABA45-330-QRX	37	30	35
EABA50-450-QRX	37	30	35
EABA60-370-QRX	41	33	40
EABA75-300-QRX	49	34	43
EABA95-240-QRX	49	34	43

모델	F	G	H
EABA26-560-QRX	22	68	35
EABA32-410-QRX	22	68	35
EABA45-330-QRX	25	76	44
EABA50-450-QRX	25	76	44
EABA60-370-QRX	27	85	49
EABA75-300-QRX	28	88	52
EABA95-240-QRX	28	88	52

일반 설치 안전

설치는 자격있는 인원에게만 의뢰합니다.

예를 들어 밸런서를 사용해서 공구를 안전하게 매달아 놓습니다. 서스펜션 요크를 사용할 때, 양호한 상태에 있고 제대로 조여졌는지 확인하십시오.

유선 공구의 경우 항상 시스템을 접지된 콘센트에 연결합니다. 공구 케이블을 연결 또는 분리하기 전에는 항상 주전원 플러그를 분리하고 컨트롤러를 꺼야 합니다.

일반 작동 안전

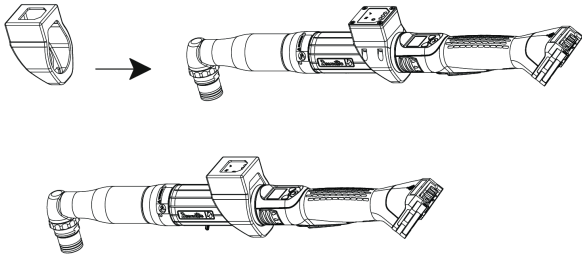
- 얽혀들어갈 위험 때문에, 장갑을 착용하지 마십시오.
- 공구를 사용할 때 반발력에 대비하십시오. 마지막 조임과 처음 풀기 과정에서 갑작스런 토크의 반작용 영향을 줄이기 위해 항상 스프indle 회전과 반대 방향으로 공구의 핸들을 견고하게 지지하십시오.
- 드라이브, 소켓 또는 드라이브 연장부를 절대 손으로 잡지 마십시오.
- 작업자와 유지보수 인원은 이 공구의 부피와 중량 및 힘을 육체적으로 취급할 수 있어야 합니다.
- 가능하면 서스펜션 암을 사용하여 반응 토크를 흡수하십시오. 서스펜션 암을 사용할 수 없는 경우, 스트레이트 케이스 및 피스톨 그립 공구에는 사이드 핸들, 앵글 너트러너에는 반응 바가 각각 권장됩니다. 스트레이트 케이스 공구의 경우에는 4 Nm (3 lbf.ft) 이상의 반응 토크, 피스톨 그립 공구의 경우에는 10 Nm (7.5 lbf.ft) 이상의 반응 토크, 앵글 너트러너의 경우에는 60 Nm (44 lbf.ft) 이상의 반응 토크를 각각 흡수할 수 있는 수단의 사용이 권장됩니다.
- 오버-토크 또는 언더-토크가 가해진 패스너는 심각한 부상을 초래할 수 있습니다. 특정한 토크를 필요로 하는 조립은 토크 미터를 사용하여 점검해야 합니다. 소위 “클릭” 토크 렌치는 위험할 수 있는 과다 토크 상태를 점검하지 못합니다. 오버-토크 또는 언더-토크가 가해진 패스너는 부러지거나, 느슨해지거나 분리될 수 있습니다. 빠진 조립물이 튀겨져 나올 수 있습니다.
- 상태가 양호한 파워 또는 임팩트 소켓만 사용하십시오. 핸드 소켓을 사용하지 마십시오.
- 파워 공구를 사용할 때 작업자가 손, 팔, 어깨, 목 또는 기타 신체 부위의 불편함을 느낄 수 있습니다. 전체 작업일 동안 적절한 자세를 취하고, 안전한 자세를 유지하고, 어색하거나 균형이 맞지 않는 자세를 피하십시오.
- 반복적인 작업 활동, 부적절한 자세 및 진동에 대한 노출은 손과 팔에 해로울 수 있습니다. 무감각이나 저림, 통증 혹은 피부가 하얗게 되는 일이 발생하면, 공구 사용을 중단하고 의사와 상담하십시오.
- 밀폐된 공간에서 작업할 때는 특별한 주의가 필요합니다. 공구와 작업 대상 사이에 손이 끼지 않도록 주의하십시오.
- 소음 수준이 높으면 청각이 영구적으로 손상될 수 있습니다. 귀하의 고용주나 직업 건강 및 안전 법규가 권장하는 청력 보호 도구를 사용하십시오.
- 작업물이 확실히 고정되어 있는지 확인하십시오.
- 익숙하지 않은 환경에서는 주의해서 진행합니다. 작업 도중 숨겨진 위험이 존재할 수 있습니다. 이 공구는 전원과 접촉 시 절연되지 않습니다.

반응 바와 함께 사용되는 공구: 공구를 사용하는 동안, 반응 바 근처에 손을 두지 마십시오. 공구를 시동하기 전에 스프indle의 회전 방향과 예상하지 못한 방향으로 충돌 부상을 일으킬 수 있는 반발력을 확인하십시오.

클러치가 내장된 공구의 경우: 클러치를 조절 한 직후, 올바르게 작동하는지 점검하십시오.

리더에 커버를 장착하는 방법

① 리더를 충격 및 손상으로부터 보호하려면 포장에 제공된 커버를 장착하는 것을 권장합니다.



공구에 커버를 적합한 위치로 미세요. 리더 위를 강하게 눌러 장착해 주세요.

배터리 팩 삽입



잠금 소리가 들릴 때까지 배터리 팩을 공구 앞 또는 뒤에 장착해 주세요.

ON/OFF 스위치가 없는 경우: 배터리 팩을 장착하는 즉시 공구를 작동할 수 있습니다.

공구에 전원이 들어온 경우, LED 표시등이 깜박입니다.

참고 배터리 팩 사용 권장 사항

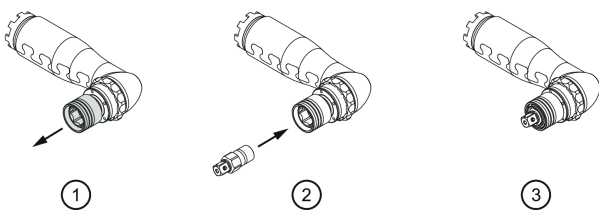
긴 수명을 가진 배터리 팩을 사용하십시오.

▶ 공구를 사용하지 않을 경우 배터리 팩을 분리하십시오.

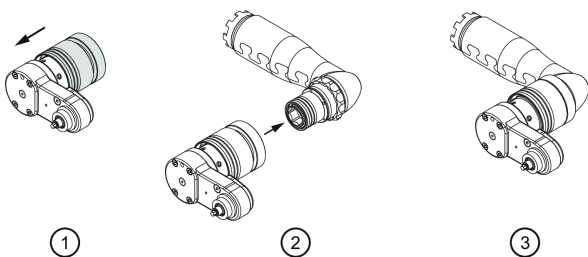
충전기 전원공급장치가 꺼진 경우 충전기에서 배터리 팩을 빼지 마십시오.

부속품 연결 방법

소켓



Crowfoot



그림과 같이 부속품을 퀵-릴리스 출력에 연결하고 Pset을 지정해 주세요.

공구 시동

적합한 소켓을 공구에 장착해 주세요

적합한 Pset을 선택하세요.

공구의 손잡이를 잡고 조임 작업을 수행할 패스너에 적용해 주세요.

⚠ 경고 부상 위험

조임 토크에 비례하여 반작용력이 증가함에 따라, 공구의 예상치 않은 동작으로 인하여 작업자는 신체에 심각한 부상을 입을 위험이 있습니다.

▶ 공구가 완벽하게 작동하고 시스템이 올바르게 프로그래밍 되었는지 반드시 확인하십시오.

공구를 작동시키려면 트리거를 눌러주세요.

회전 방향을 반전하는 방법



1 역방향 버튼을 실행해 주세요.

이 버튼을 누르십시오.

빨간색과 녹색 LED가 번갈아 깜박입니다.

공구를 패스너에 적용하고 트리거를 누릅니다.

일반 서비스 및 유지 보수 안전

예기치 않은 작동을 피하기 위해 서비스 중에는 항상 컨트롤러의 스위치를 꺼짐 상태로 유지해 주세요.

수리는 자격있는 인원에게만 의뢰하셔야 합니다.

청소 방법

젖은 헝겊으로 부품을 닦아주세요. 물만 사용하시고, 솔벤트(용제)가 들어있는 세제는 사용하지 마세요.

현재 권장 사항 및 특정 공구에 대한 청소 관련 조언은 Desoutter 서비스 기술자에게 문의해 주세요.

일반 전동 공구 안전 경고

⚠ 경고 이 전동 공구와 함께 제공되는 모든 안전 경고, 지침, 그림 및 사양을 읽으십시오.

아래의 모든 지침을 따르지 않는 경우 감전, 화재 및/또는 심각한 부상을 입을 수 있습니다.

나중에 참조할 수 있도록 모든 경고와 지침을 보관하십시오.

경고에서 “전동 공구”라는 용어는 주전원으로 작동되는 유선 전동 공구 또는 배터리로 작동되는 무선 전동 공구를 나타냅니다.

작업 영역 안전

• 작업 공간을 밝고 깨끗하게 유지하십시오. 어수선하고 어두운 공간은 사고의 위험이 많습니다.

Safety Information

- 가연성 액체, 가스 또는 먼지가 있는 곳과 같이 폭발 위험이 있는 환경에서 전동 공구를 작동하지 마십시오. 전동 공구는 먼지나 연기 유발할 수 있는 스파크를 생성합니다.
- 전동 공구를 작동하는 동안 어린이와 주변인들이 멀리 있도록 안내해 주십시오. 산만함으로 인해 공구에 대한 통제력을 상실할 수 있습니다.

전기 안전

- 전동 공구 플러그는 콘센트와 일치해야 합니다. 플러그를 어떠한 방식으로든 개조하지 마십시오. 어댑터 플러그를 접지된 전동 공구와 함께 사용하지 마십시오. 개조하지 않은 플러그와 플러그와 일치하는 콘센트는 감전 위험을 줄입니다.
- 파이프, 라디에이터, 전자 레인지, 냉장고와 같은 제품의 지면에 닿은 표면 또는 접지된 표면과 신체 접촉을 피하십시오. 몸이 지면에 닿거나 접지되는 경우 감전 위험이 커집니다.
- 전동 공구가 비 또는 젖은 환경에 노출되지 않도록 유의하십시오. 전동 공구에 물이 스며들면 감전 위험이 증가합니다.
- 코드를 남용하지 마십시오. 코드를 사용하여 전동 공구를 운반, 당기기 또는 분리하지 마십시오. 열, 기름, 날카로운 모서리 또는 움직이는 부품에 코드를 가까이하지 마십시오. 손상되거나 영킨 코드는 감전의 위험을 증가시킵니다.
- 야외에서 전동 공구를 작동할 때는 실외용으로 적합한 연장 코드를 사용하십시오. 실외용으로 적합한 코드를 사용하면 감전 위험이 줄어듭니다.
- 부득이하게 습한 장소에서 전동 공구를 작동할 경우, 잔류 전류 장치(RCD)로 보호되는 전원 공급 장치를 사용하십시오. RCD의 사용은 감전 위험을 줄입니다.

개인 안전

- 전원 공구를 작동할 때는 경계 상태로 자신이 하는 일을 관찰하고, 상식을 활용하십시오. 피곤하거나 약물, 알코올, 투약의 영향이 남아 있는 상태에서 전동 공구를 사용하지 마십시오. 전동 공구를 작동하는 동안 부주의한 순간에 심각한 신체적 부상을 입을 수 있습니다.
- 개인 보호 장비 사용 항상 눈 보호 장비를 착용하십시오. 적절한 조건에 사용되는 분진 마스크, 미끄럼 방지 신발, 하드 모자 또는 적절한 청력 보호 장치와 같은 보호 장비는 부상을 줄일 수 있습니다.
- 의도하지 않은 시동을 방지하십시오. 전원 및/또는 배터리 팩에 연결하기 전에 스위치가 꺼짐 위치에 있는지 확인하고, 공구를 들어 올리거나 운반하십시오. 손가락을 스위치에 대고 전동 공구를 운반하거나 스위치를 켜 전동 공구에 전원을 공급하면 사고의 위험이 큼니다.
- 전원 공구를 켜기 전에 조정 키나 렌치를 모두 제거하십시오. 전동 공구의 회전부에 부착된 렌치 또는 키는 부상을 유발할 수 있습니다.
- 사용 범위를 초과하지 마십시오. 항상 적절한 스텝과 균형을 유지하십시오. 바른 자세와 균형은 돌발 상황에서 전동 공구를 더 잘 통제할 수 있습니다.

- 적절한 의복을 입으십시오. 헐렁한 옷이나 장신구를 착용하지 마십시오. 머리카락과 옷이 움직이는 부품으로부터 멀리 떨어지도록 해야 합니다. 헐렁한 옷, 장신구 또는 긴 머리는 움직이는 부품에 걸릴 수 있습니다.
- 먼지 추출 및 수거 설비의 연결을 위한 장치가 제공되는 경우, 이러한 장치들이 제대로 연결되고 사용되는지 확인하십시오. 먼지 수집 장치를 사용하면, 먼지와 관련된 위험을 줄일 수 있습니다.
- 공구를 자주 사용하여 익숙해지면 공구 안전 원칙을 무시하고 현실에 타협할 수 있는 위험이 있습니다. 부주의한 행동으로 인해 단 1초안에 심각한 부상을 입을 수 있습니다.
- 패스너가 숨겨진 배선이나 자체 코드에 접촉할 수 있는 작업을 수행할 때, 절연된 눈에 띄는 표면으로 전동 공구를 잡습니다. “전기가 흐르는” 배선에 접촉하는 패스너는 전동 공구의 노출된 금속 부위에 전기가 흐르게 할 수 있으며 작업자에게 감전을 일으킬 수 있습니다.

전동 공구 사용 및 관리

- 전동 공구에 무리한 힘을 가하지 마십시오. 응용 분야에 맞는 올바른 전동 공구를 사용하십시오. 용도에 적합한 전동 공구는 설계한 속도에서 사용할 때 작업을 더 좋고 안전하게 수행할 수 있도록 돕습니다.
- 전동 공구의 스위치가 켜지지 않고 꺼지지 않는 경우 사용하지 마십시오. 스위치로 제어할 수 없는 전동 공구는 위험하므로 수리해야 합니다.
- 모든 조정, 부속품 교체 또는 전동 공구를 보관하기 전에, 분리 가능하다면, 전원 공급 장치에서 플러그 및/또는 배터리 팩의 플러그를 분리하십시오. 이러한 예방적 안전 대책은 전동 공구를 실수로 작동할 위험을 줄여줍니다.
- 유향 전동 공구를 어린이의 손이 닿지 않는 곳에 보관하고 전동 공구 및 이러한 지침에 익숙하지 않은 사람이 전동 공구를 작동시키지 않도록 하십시오. 훈련되지 않은 사용자에게는 전동 공구가 매우 위험합니다.
- 전동 공구 및 부속품의 유지 보수 이동 부품의 정렬 불량 또는 바인딩, 부품의 파손 그리고 전동 공구의 작동에 영향을 줄 수 있는 기타 모든 조건이 있는지 점검하십시오. 손상된 경우, 사용 전에 전동 공구를 수리하십시오. 많은 사고는 전동 공구가 잘 정비되지 않았기 때문에 발생합니다.
- 절단 공구는 날카롭고 깨끗하게 유지하십시오. 절삭 공구의 절삭 칼날을 날카롭게 적절하게 유지하면 작동이 멈추는 확률이 낮아지고 제어하기가 쉬워집니다.
- 이 지침에 따라 작업 조건 및 수행할 작업을 고려하고 전원 공구, 부속품 및 공구 비트 등을 사용하십시오. 설계된 목적과 다른 용도로 전동 공구를 사용하면 위험한 상황을 초래할 수 있습니다.
- 손잡이를 잡는 표면이 건조하고 깨끗하며 기름 및 기름기가 없도록 유지하십시오. 미끄러운 손잡이 및 잡는 표면은 예상치 못한 상황에서 공구의 안전한 취급과 제어를 보장하지 않습니다.

배터리 공구 사용 및 관리

- 제조 업체에서 지정한 충전기만으로 충전하십시오. 한 종류의 배터리 팩에 적합한 충전기는 다른 배터리 팩을 충전할 때 사용하면 화재의 위험이 있습니다.
- 구체적으로 지정된 배터리 팩으로 전동 공구를 사용하십시오. 지정된 배터리팩과 다른 배터리 팩을 사용하면 부상 및 화재 위험을 초래할 수 있습니다.
- 배터리 팩을 사용하지 않을 때는 종이 클립, 동전, 키, 손톱, 나사 또는 다른 소형 금속 물체와 같은 다른 금속 물체와 멀리 떨어지게 하십시오. 이러한 물체는 한 단자에서 다른 단자를 연결하여 전기가 흐르게 할 수 있습니다. 배터리 단자를 단락하면 화상이나 화재를 유발할 수 있습니다.
- 가혹한 환경에서는 배터리에서 액체가 배출 될 수 있으므로 접촉을 피하십시오. 실수로 접촉한 경우, 물로 씻어 내십시오. 배터리 액이 눈에 들어갔을 경우 추가로 의학적 도움을 받으셔야 합니다. 배출된 배터리액은 자극이나 화상을 유발할 수 있습니다.
- 손상되거나 변형된 배터리 팩이나 공구를 사용하지 마십시오. 손상되었거나 변형된 배터리는 예기치 않은 동작을 일으켜 화재, 폭발 또는 상해의 위험을 유발할 수 있습니다.
- 배터리 팩이나 공구를 화기나 과도한 온도에 노출시키지 마십시오. 화재 또는 130 °C 이상의 온도에 노출되면 폭발 위험이 있습니다.
- 모든 충전 지침을 준수하셔야 하며 지침에 지정된 온도 범위를 벗어나 배터리 팩 또는 공구를 충전하지 마십시오. 부적절하게 충전하거나 지정된 범위를 벗어난 온도로 충전하면 배터리가 손상되고 화재 위험이 커질 수 있습니다.

서비스

- 공인 수리점에서 동일한 교체 부품만 사용하여 전동 공구를 수리하십시오. 이렇게 하면 전동 공구의 안정성이 유지됩니다.
- 손상된 배터리 팩을 절대로 스스로 수리하지 마십시오. 배터리 팩의 수리 서비스는 제조업체 또는 공인 서비스 제공 업체에서만 수행해야 합니다.

표시 및 스티커

이 제품에는 개인 안전과 제품 유지보수에 관한 중요한 정보가 포함된 표지 및 스티커가 부착되어 있습니다. 표지 및 스티커는 언제나 읽기 쉬워야 합니다. 새로운 표지 및 스티커는 예비 부품 목록을 이용하여 주문할 수 있습니다.



s011050

유용한 정보

웹사이트

제품, 부속품, 예비 부품 및 게시된 사안에 관한 정보는 Desoutter 웹 사이트에서 찾을 수 있습니다.

다음 자료 및 웹 사이트를 참조해 주세요.

www.desouttertools.com.

설치 메뉴얼에 대한 정보

상세한 운영 지침, 설치 및 업그레이드 메뉴얼은 <https://www.desouttertools.com/resource-centre>에서 확인할 수 있습니다.

예비 부품에 대한 정보

분해도 및 예비 부품 목록은 서비스 링크 www.desouttertools.com에 나와 있습니다.

원산지 국가

France

안전 보건 자료 MSDS/SDS

안전 데이터 시트는 Desoutter가 판매하는 화학 제품을 설명합니다.

자세한 정보는 Desoutter 웹사이트 <https://www.desouttertools.com/legal/sds>를 참조하십시오.

저작권

© Copyright 2022, Ets Georges Renault, 38 rue Bobby Sands, 44818 Saint Herblain, France

모든 권리 보유. 본 문서의 내용 또는 내용의 일부에 대한 비 승인된 모든 사용 또는 복사 행위는 엄격히 금지됩니다. 이는 특히, 상표, 모델 명칭, 부품 번호 및 도면에 적용됩니다. 승인된 부품만 사용하십시오. 비 인가된 부품을 사용함으로써 인해 발생하는 모든 손상 또는 고장은 보증 또는 생산물 책임 범위에 포함되지 않습니다.

Original instructions
Traduction de la notice originale
Übersetzung der Originalbetriebsanleitung
Traducción de las instrucciones originales
Tradução das instruções originais
Traduzione delle istruzioni originali
Vertaling van oorspronkelijke instructies
Oversættelse af originalvejledning
Oversættelse av originalinstruksjoner.
Käännös alkuperäisistä ohjeista
Μετάφραση πρωτότυπων οδηγιών
Översättning av ursprungliga instruktioner
Перевод оригиналов инструкций
Tłumaczenie oryginalnej instrukcji

Preklad originálnych pokynov
Překlad původních pokynů
Eredeti utasítások fordítása
Prevod izvirnih navodil
Traducerea instrucțiunilor originale
Orijinal talimatların çevirisi
Превод на оригиналните инструкции
Prijevod originalnih uputa
Originaaljuhiste tõlge
Originalių instrukcijų vertimas
Oriģinālo instrukciju tulkojums
原始说明的翻译
使用說明書初出翻譯
원본 설명서의 번역문

Founded in 1914 and headquartered in France, Desoutter Industrial Tools is a global leader in electric and pneumatic assembly tools serving a wide range of assembly and manufacturing operations, including Aerospace, Automotive, Light and Heavy Vehicles, Off-Road, General Industry.

Desoutter offers a comprehensive range of Solutions -tools, service and projects- to meet the specific demands of local and global customers in over 170 countries.

The company designs, develops and delivers innovative quality industrial tool solutions, including Air and Electric Screwdrivers, Advanced Assembly Tools, Advanced Drilling Units, Air Motors and Torque Measurement Systems.

Find more on www.desouttertools.com



More Than Productivity

Ets Georges Renault
38 rue Bobby Sands
44818 Saint Herblain - FR
Phone: +33 (0)240 802 000
www.desouttertools.com