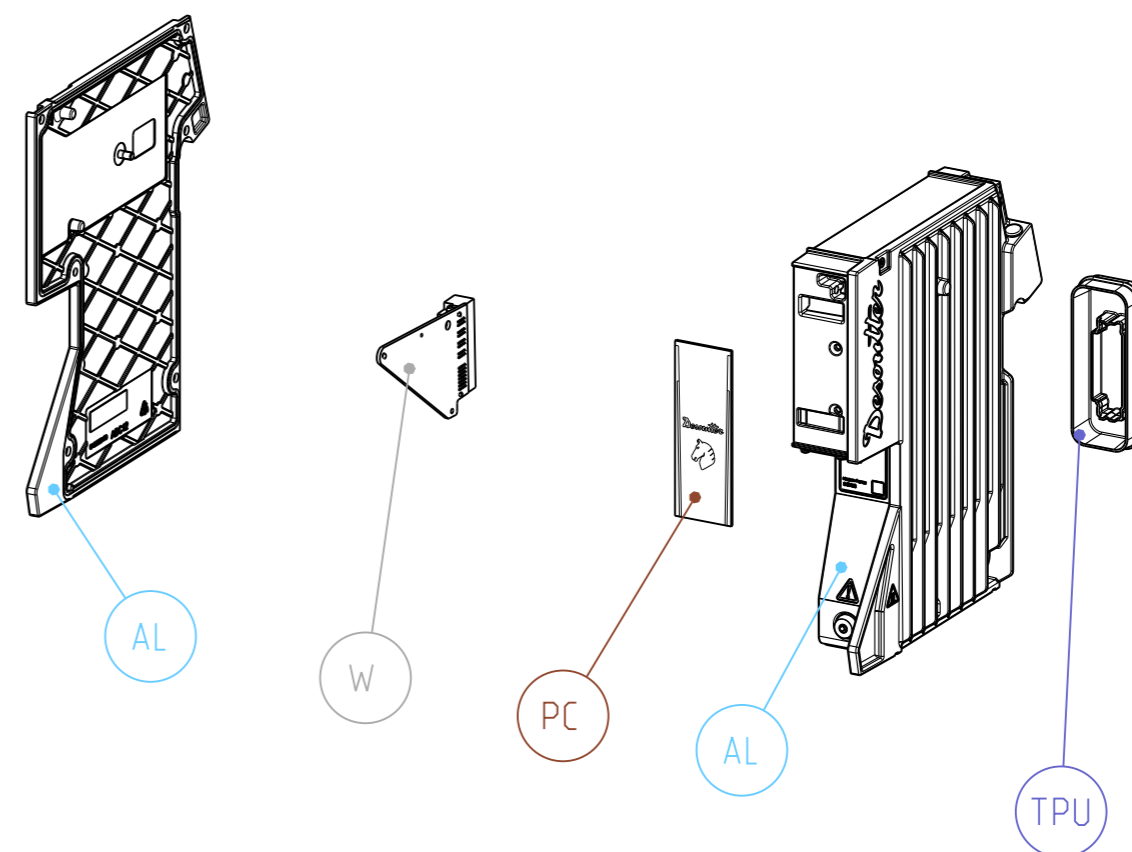




Tool - Decommissioning

Part N° : 6159910030
Rev N° : 01
Date : 2023/05/24
Sheet : 1 / 1



- AL ALUMINIUM
- ST STEEL
- W WEEE
- PVC POLYVINYL CHLORIDE
- PA POLYAMIDE
- TPU THERMOPLASTIC POLYURETHANE
- PP POLYPROPYLENE
- PS POLYSTYRENE
- PC POLYCARBONATE
- ABS-PC ACRYLONITRILE BUTADIENE STYRENE - POLYCARBONATE
- PPS POLYPHENYLENE SULFIDE
- PBT POLYBUTYLENE TEREPHTALATE
- PEEK POLYETHERETHERCETONE

Applied on :
6159327550 : M-PROTECTRACK