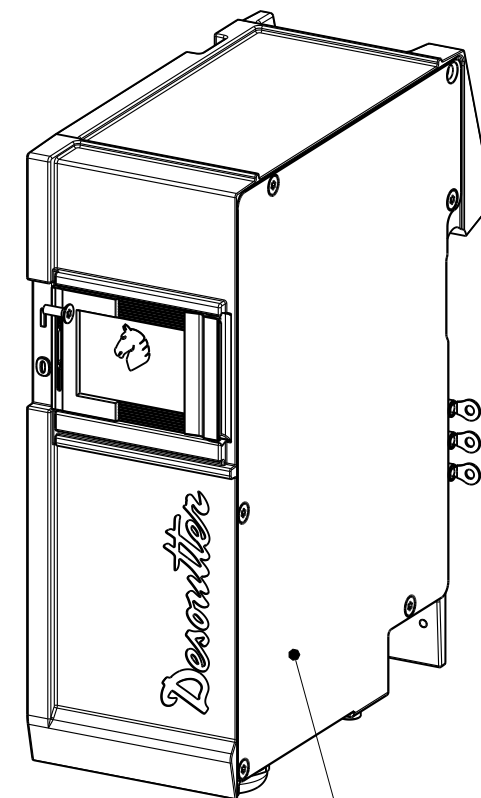


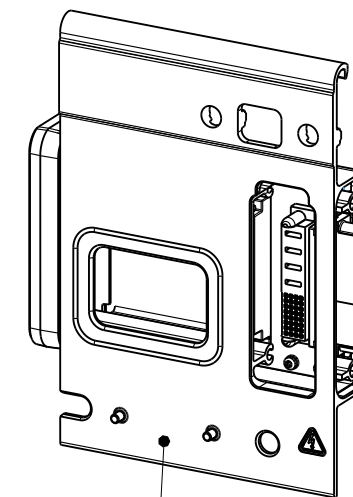


# Tool - Decommissioning

Part N° : 6159910000  
Rev N° : 01  
Date : 2023/05/24  
Sheet : 1 / 4



Sheet 2



Sheet 3



Sheet 4

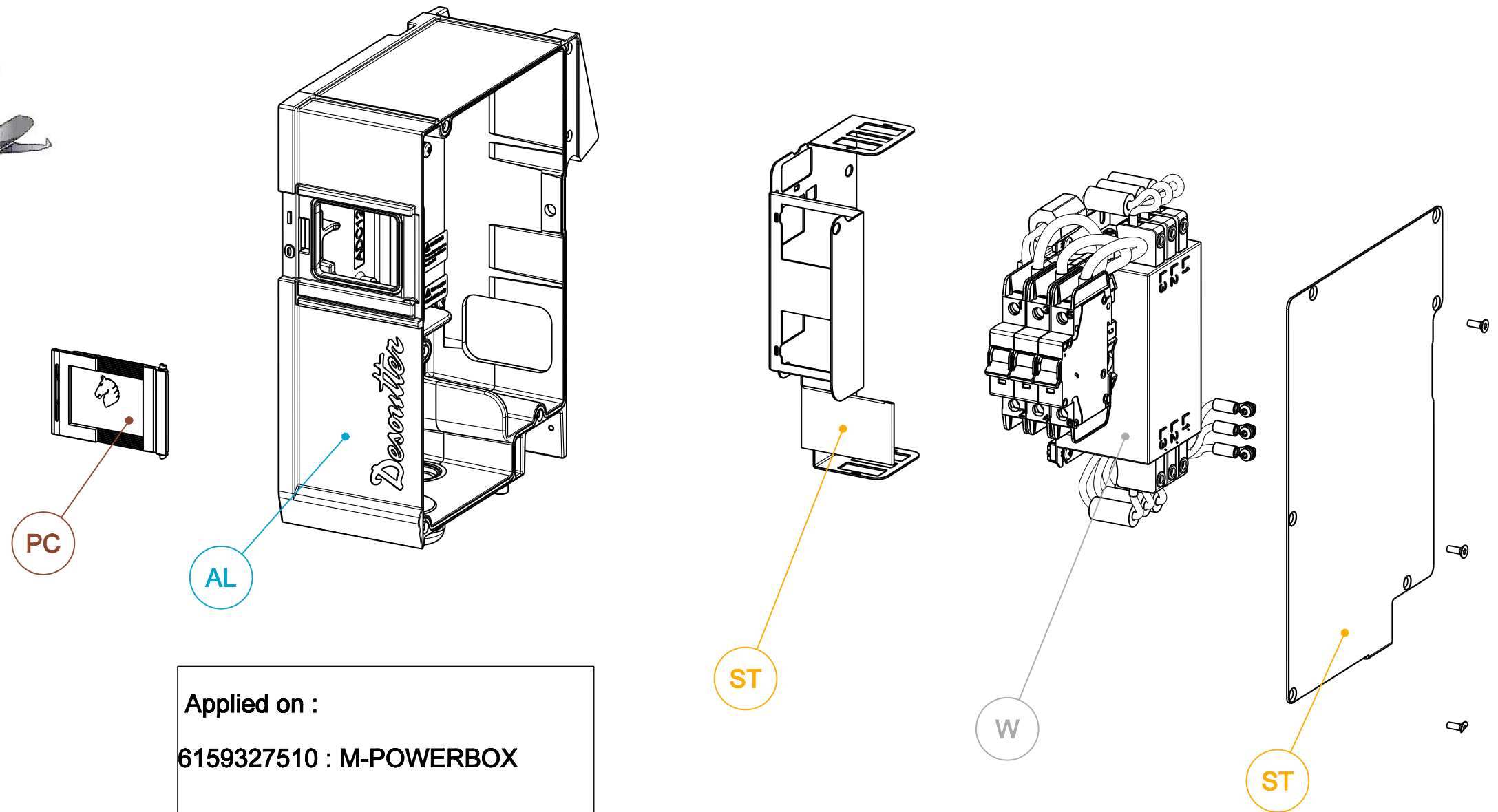
- AL ALUMINIUM
- ST STEEL
- W WEEE
- PVC POLYVINYL CHLORIDE
- PA POLYAMIDE
- TPU THERMOPLASTIC POLYURETHANE
- PP POLYPROPYLENE
- PS POLYSTYRENE
- PC POLYCARBONATE
- ABS-PC ACRYLONITRILE BUTADIENE STYRENE - POLYCARBONATE
- PPS POLYPHENYLENE SULFIDE
- PBT POLYBUTYLENE TEREPHTALATE
- PEEK POLYETHERETHERCETONE

Applied on :  
6159327510 : M-POWERBOX



# Tool - Decommissioning

Part N° : 6159910000  
Rev N° : 01  
Date : 2023/05/24  
Sheet : 2 / 4



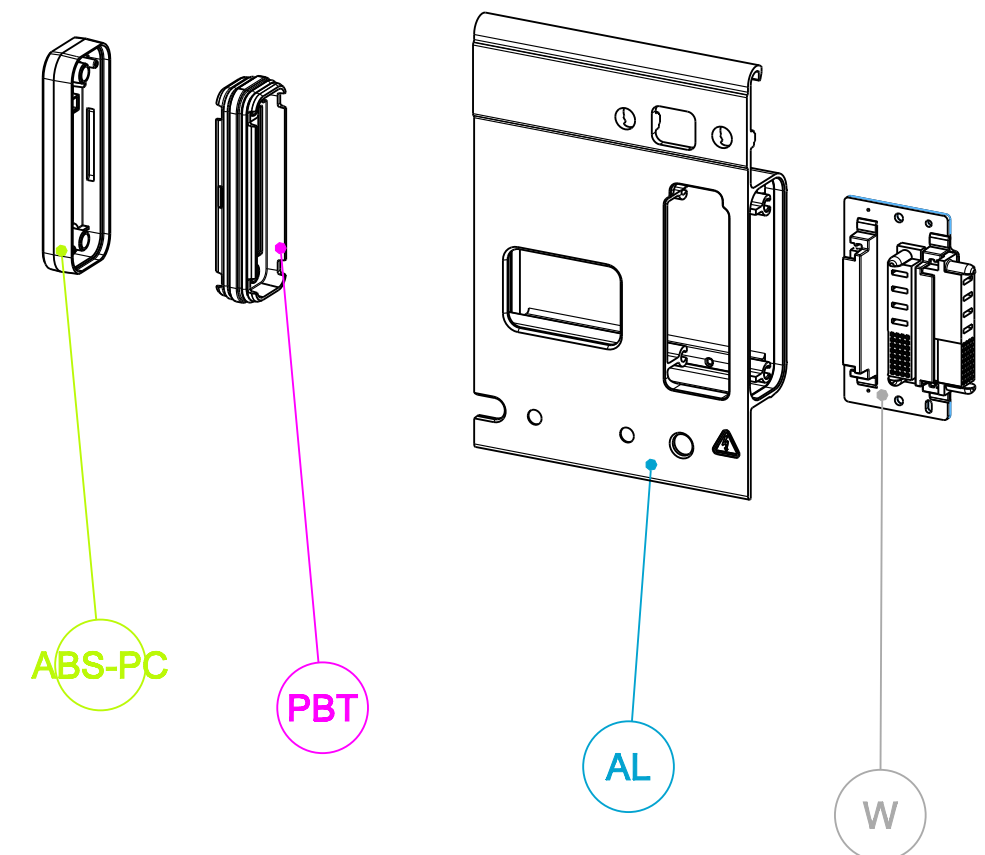
- AL ALUMINIUM
- ST STEEL
- W WEEE
- PVC POLYVINYL CHLORIDE
- PA POLYAMIDE
- TPU THERMOPLASTIC POLYURETHANE
- PP POLYPROPYLENE
- PS POLYSTYRENE
- PC POLYCARBONATE
- ABS-PC ACRYLONITRILE BUTADIENE STYRENE - POLYCARBONATE
- PPS POLYPHENYLENE SULFIDE
- PBT POLYBUTYLENE TEREPHTALATE
- PEEK POLYETHERETHERCETONE

Applied on :  
6159327510 : M-POWERBOX



# Tool - Decommissioning

Part N° : 6159910000  
Rev N° : 01  
Date : 2023/05/24  
Sheet : 3 / 4



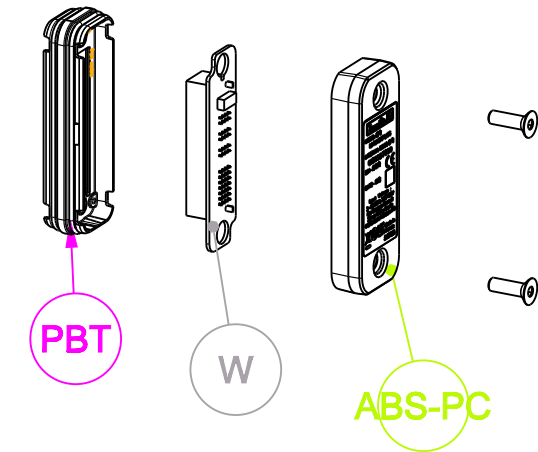
- AL ALUMINIUM
- ST STEEL
- W WEEE
- PVC POLYVINYL CHLORIDE
- PA POLYAMIDE
- TPU THERMOPLASTIC POLYURETHANE
- PP POLYPROPYLENE
- PS POLYSTYRENE
- PC POLYCARBONATE
- ABS-PC ACRYLONITRILE BUTADIENE STYRENE - POLYCARBONATE
- PPS POLYPHENYLENE SULFIDE
- PBT POLYBUTYLENE TEREPHTALATE
- PEEK POLYETHERETHERCETONE

Applied on :  
6159327510 : M-POWERBOX



# Tool - Decommissioning

Part N° : 6159910000  
Rev N° : 07  
Date : 2023/05/22  
Sheet : 4 / 4



AL ALUMINIUM

ST STEEL

W WEEE

PVC POLYVINYL CHLORIDE

PA POLYAMIDE

TPU THERMOPLASTIC POLYURETHANE

PP POLYPROPYLENE

PS POLYSTYRENE

PC POLYCARBONATE

ABS-PC ACRYLONITRILE BUTADIENE STYRENE - POLYCARBONATE

PPS POLYPHENYLENE SULFIDE

PBT POLYBUTYLENE TEREPHTALATE

PEEK POLYETHERETHERCETONE

Applied on :

6159327510 : M-POWERBOX