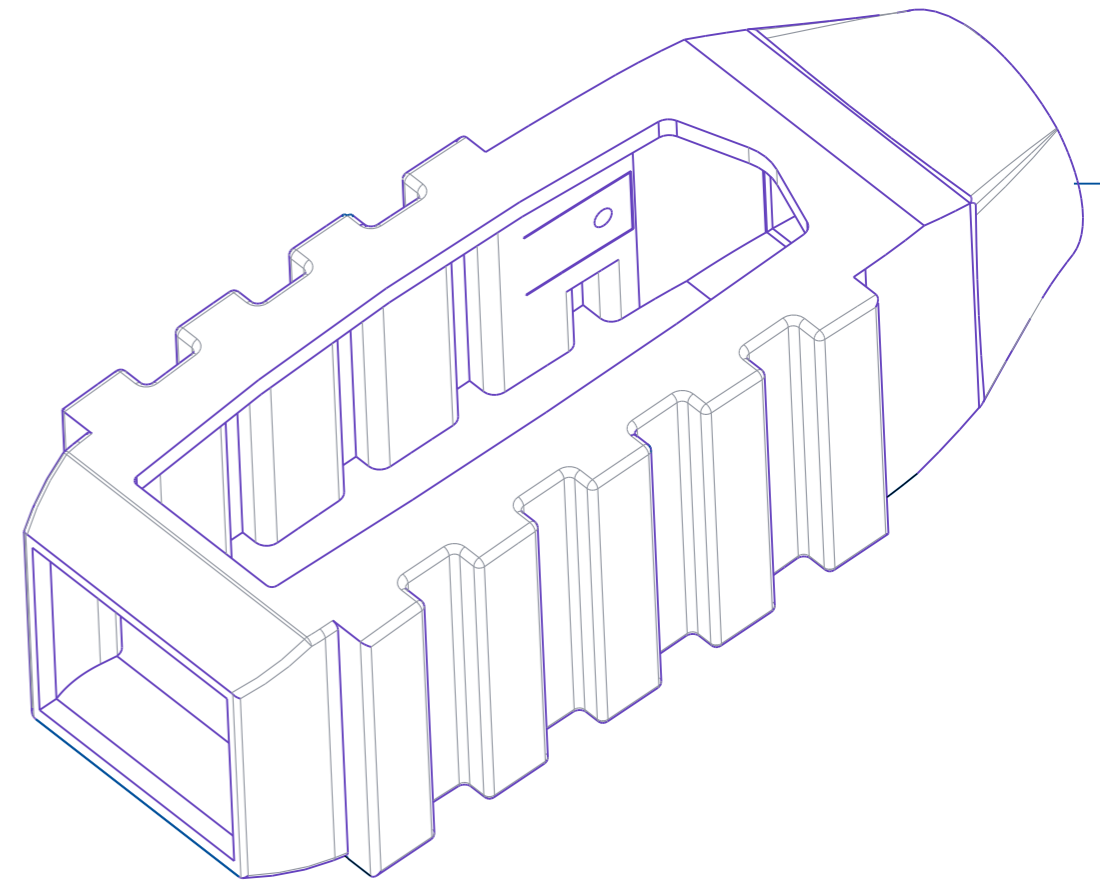
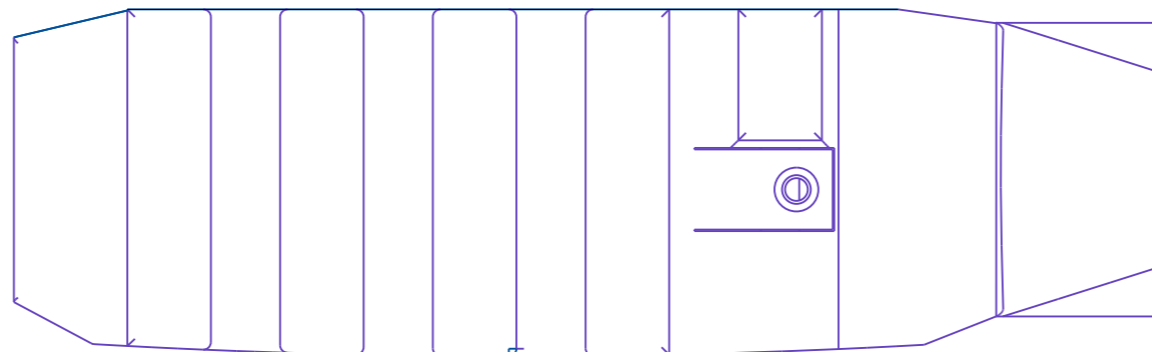
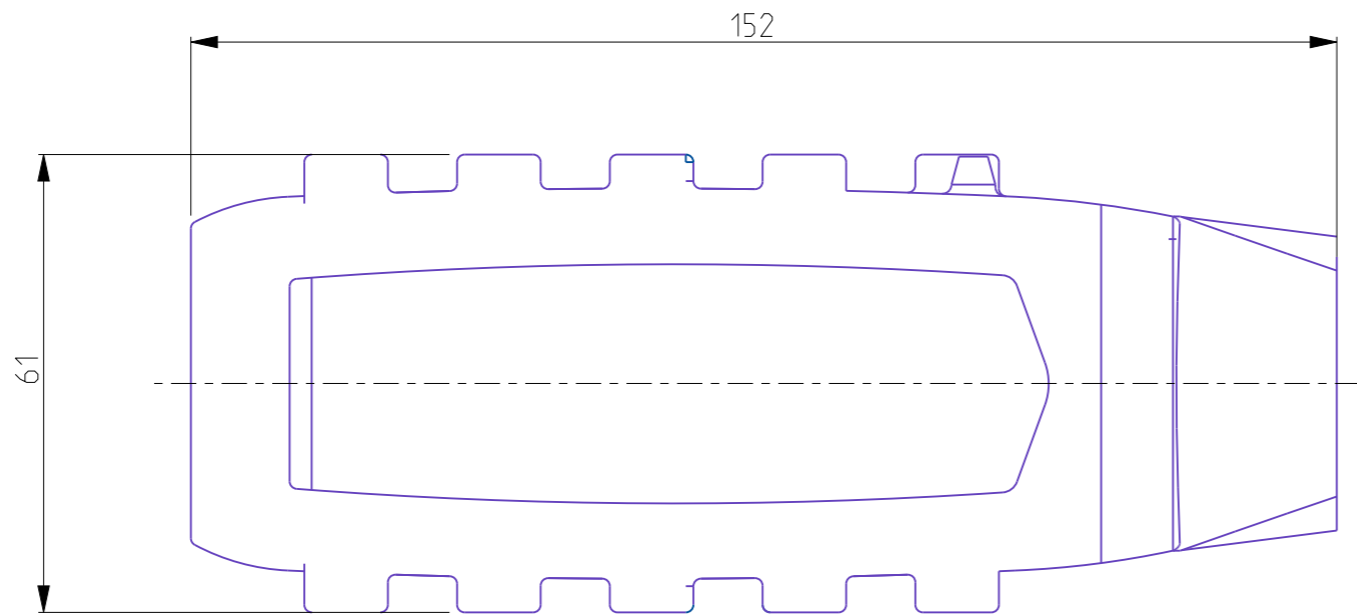
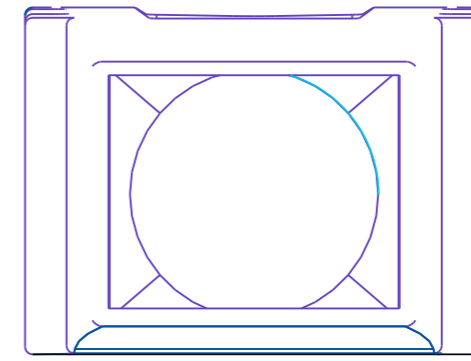
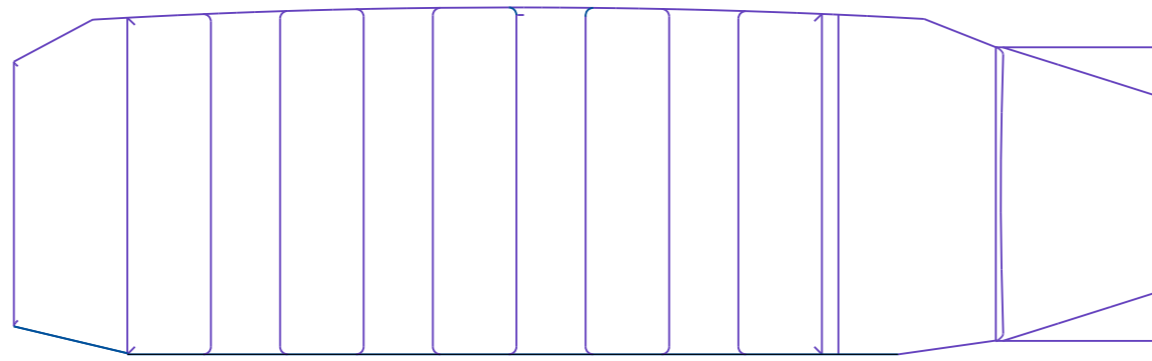
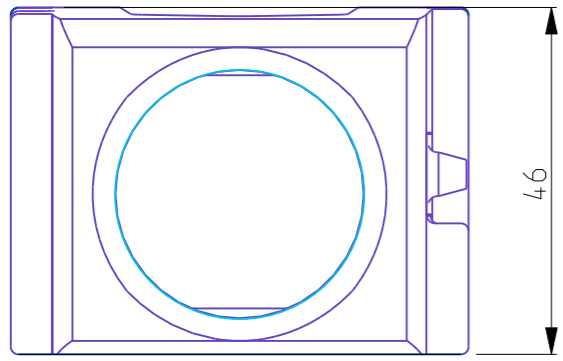


This document is our property and shall not without our permission be altered, copied, used for manufacturing or communicated to any other person or company. Do not get any dimensions directly from the drawing.



Date	Scale	Ordering No.	Model
	1:1	6159365040	Wrench Protection

RDM005#B