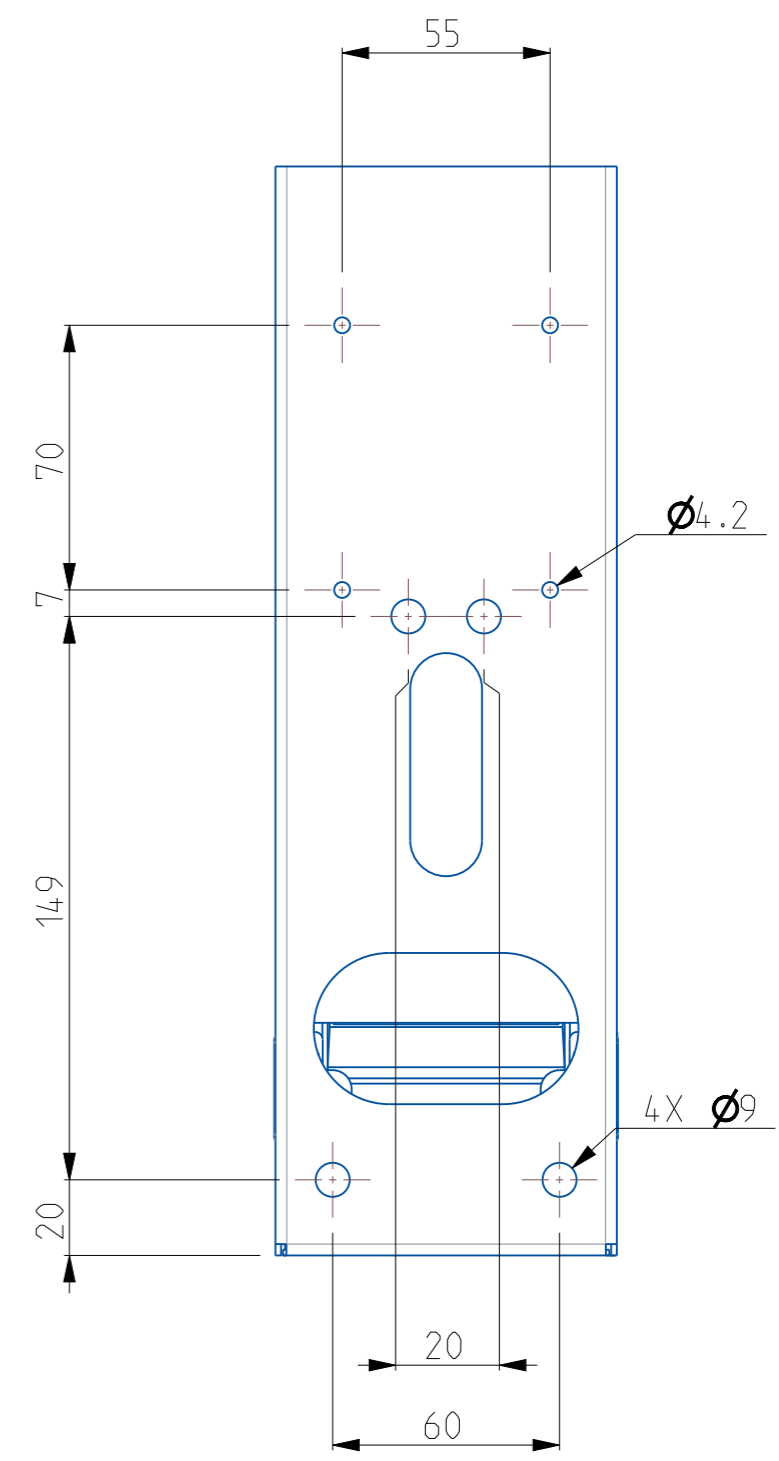
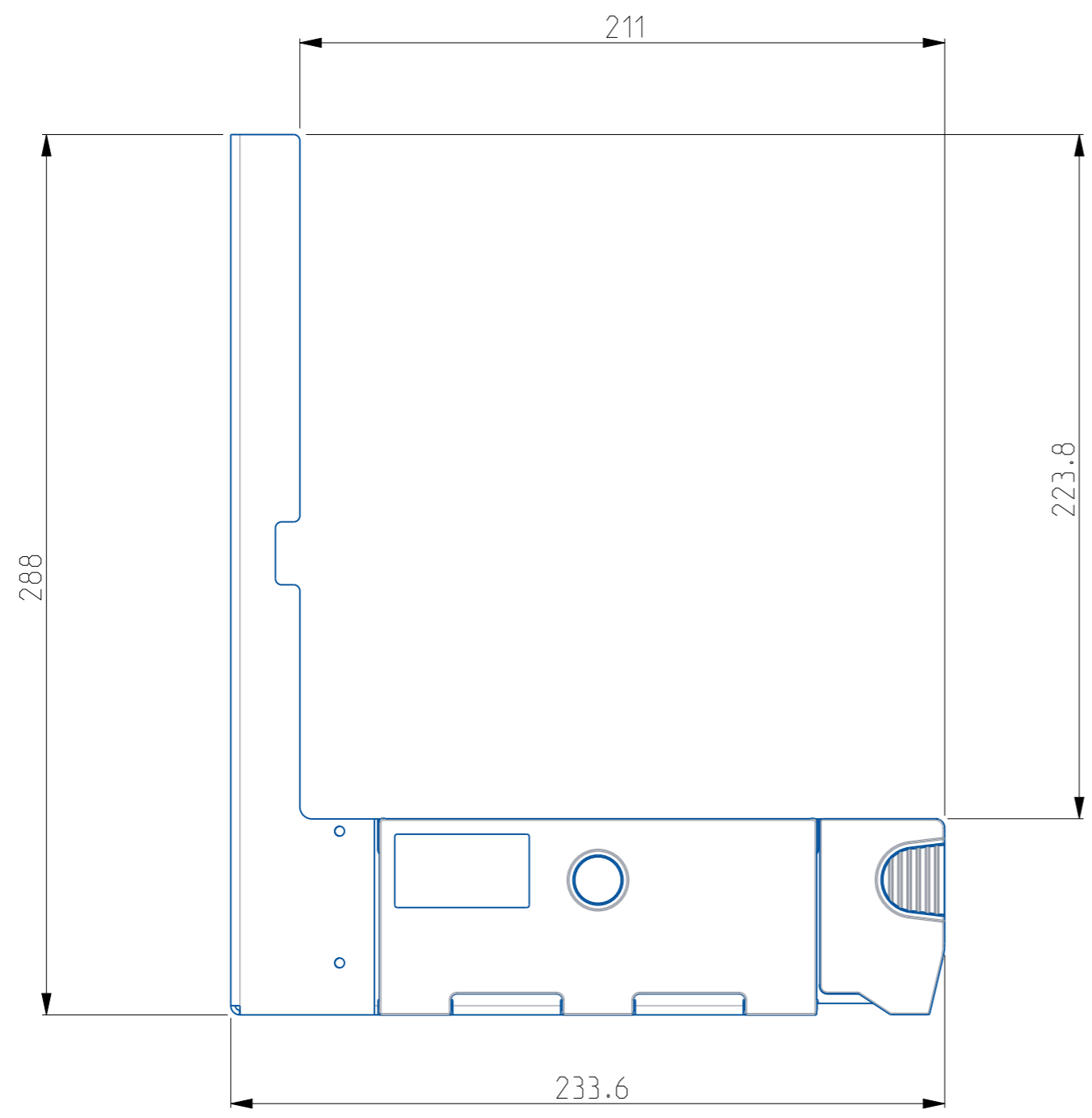



This document is our property and shall not without our permission be altered, copied, used for manufacturing or communicated to any other person or company. Do not get any dimensions directly from the drawing.

Model name	6159327620_DIM	Model Release Level	Production	Rev.Ver	010
Drawing name	6159327620_DIM	Drawing Release Level	Production	Rev.Ver	010



01	-	-	Release for Production	2024/03/18	FPA
REV.N°	ECN.N°	POS.	MODIFICATION DETAILS	DATE YYYY/MM/DD	INIT.

 DESCRIPTION <h1>SUPPORT MULTI ASSY</h1>		DATE YYYY/MM/DD		 <b>1 / 1</b>	
		2024/03/18			Production
DRG.SIZE	MODEL NAME	WEIGHT	RELEASE LEVEL		
A3	6159327620_DIM	0.000 Kg	Production		
SCALE	BLANK DRG.	PROTO DRG.	DRG.No	Rev.	
0.5	-	-	6159327620_DIM	01	
DRAWN BY					
FPA					

RDM005#B

G