

Model name  
**6158132700\_DIM**

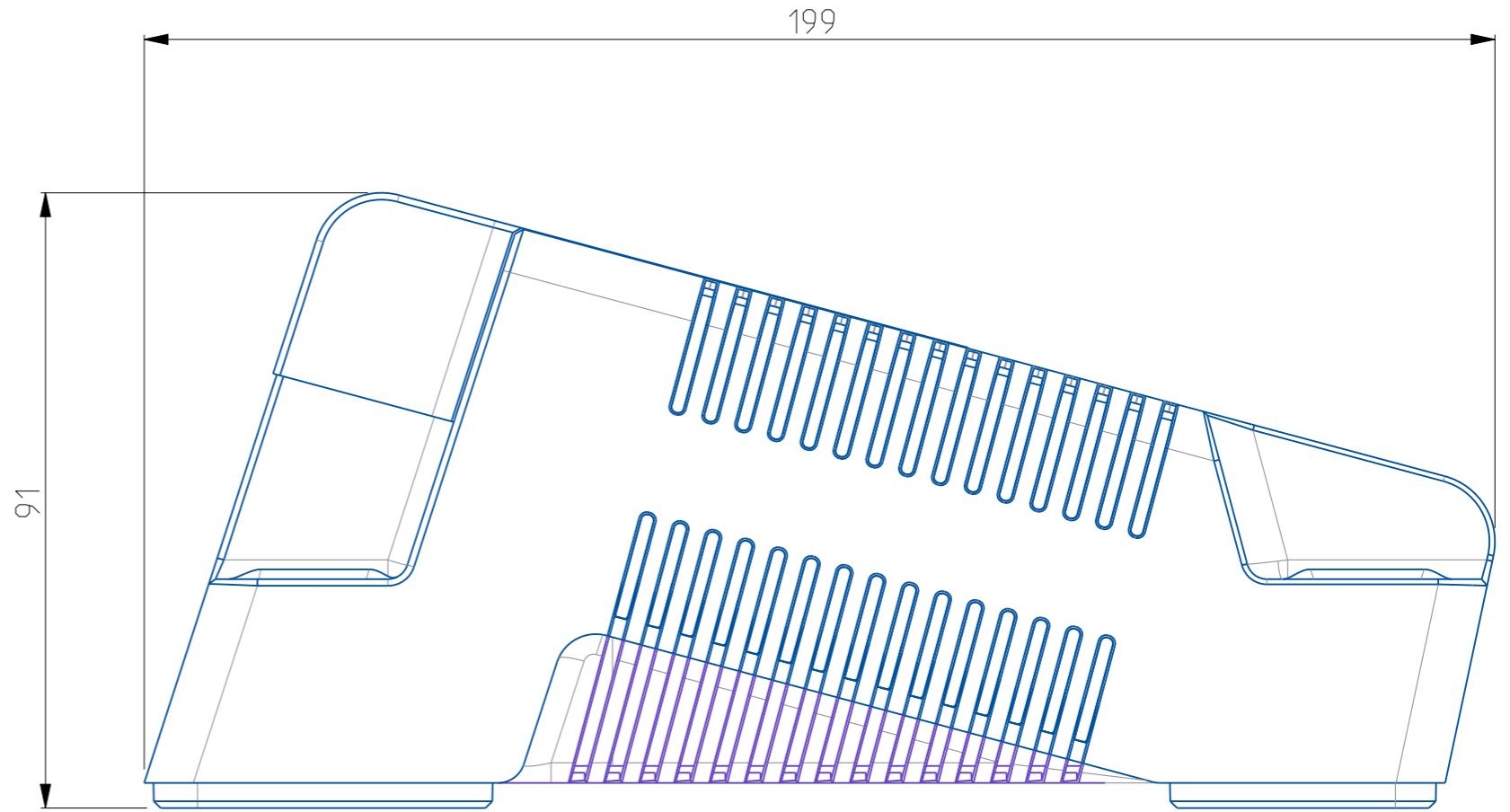
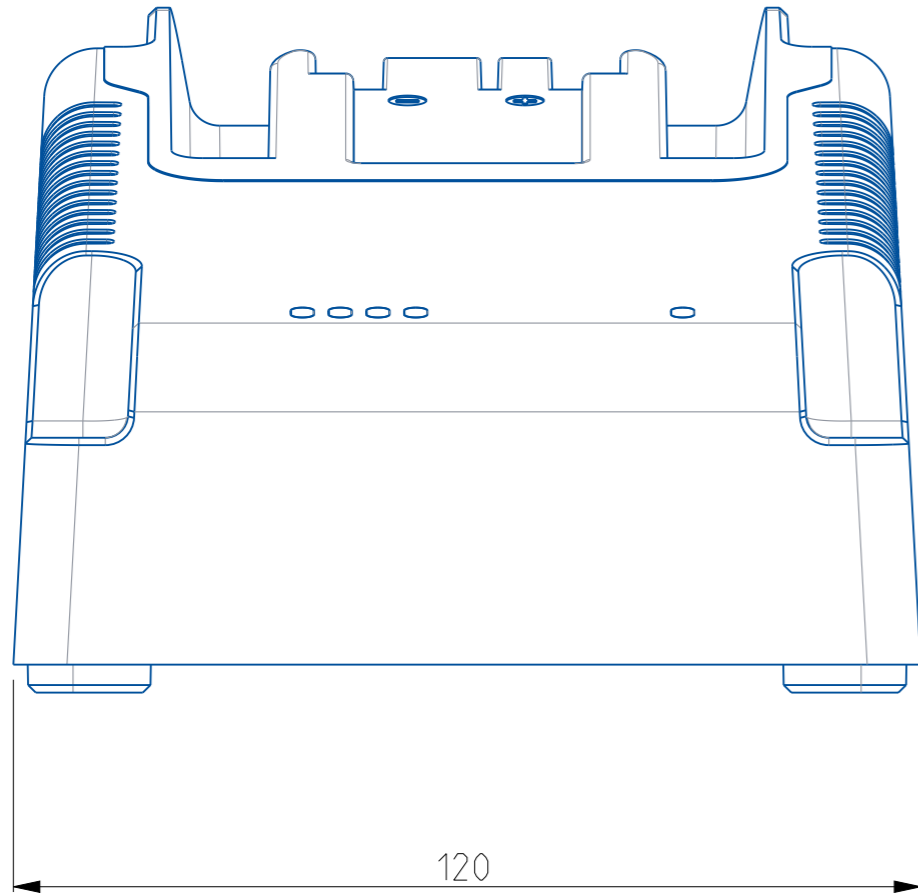
Model Release Level  
**Production**

Rev.Ver  
**010**

Drawing name  
**6158132700\_DIM**


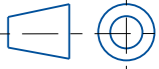
Drawing Release Level  
**Production**

Rev.Ver  
**010**



This document is our property and shall not without our permission be altered, copied, used for manufacturing or communicated to any other person or company. Do not get any dimensions directly from the drawing.

01	-	-	Release for Production	2020/07/23	FPA
REV.N°	ECN.N°	POS.	MODIFICATION DETAILS	DATE YYYY/MM/DD	INIT.

		<b>CHARGER 18-36V</b>			
				DATE YYYY/MM/DD <b>2020/07/23</b>	
DRG.SIZE <b>A3</b>	MODEL NAME <b>6158132700_DIM</b>	WEIGHT <b>0.000 Kg</b>	RELEASE LEVEL <b>Production</b>		
SCALE <b>1.0</b>	BLANK DRG. -	PROTO DRG. -	DRG.No <b>6158132700_DIM</b>		Rev. <b>01</b>
DRAWN BY -					

RDM005#B

G