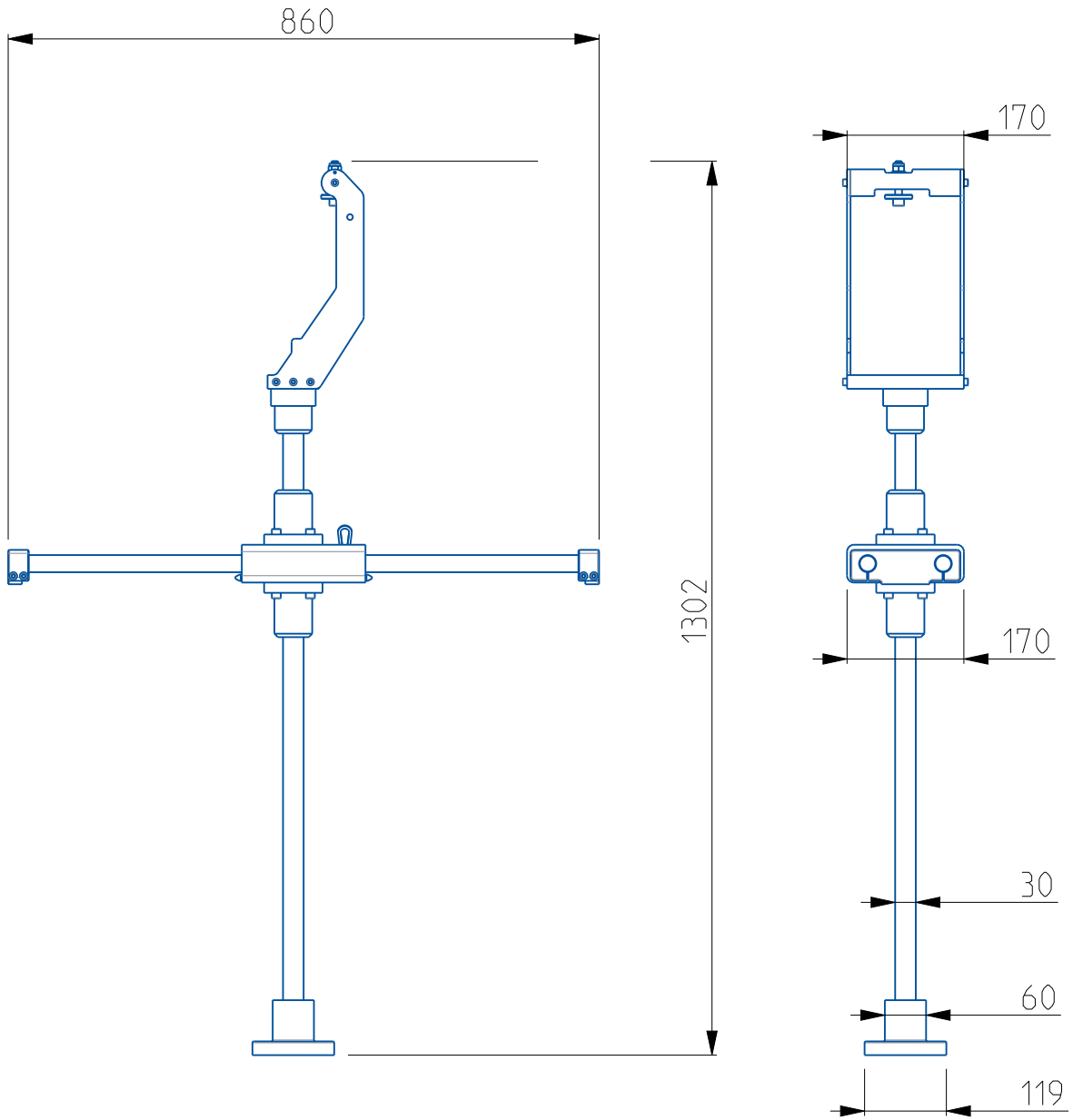


Rev. Ver	010
Model Release Level	Production
Model name	6158116610_DIM
Drawing name	6158116610_DIM

REV.N°	ECN.N°	POS.	MODIFICATION DETAILS	DATE YYYY/MM/DD	INIT.
01	-	-	Release for Production	2023/01/18	API



This document is our property and shall not without our permission be altered, copied, used for manufacturing or communicated to any other person or company. Do not get any dimensions directly from the drawing.



DESCRIPTION		<h1>D53-300-XL</h1>			
DRG.SIZE	MODEL NAME	WEIGHT	RELEASE LEVEL		
A4	6158116610_DIM	0.000 Kg	Production		
SCALE	BLANK DRG.	PROTO DRG.	DRG.No	Rev.	
0.1	-	-	6158116610_DIM	01	
DRAWN BY					
API					