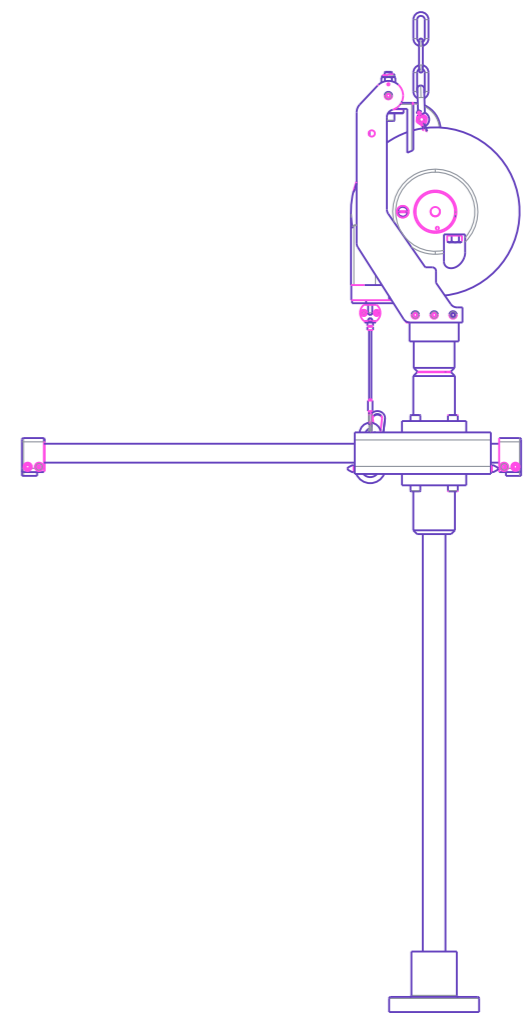
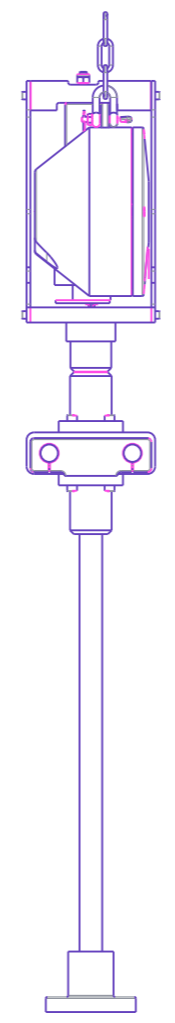
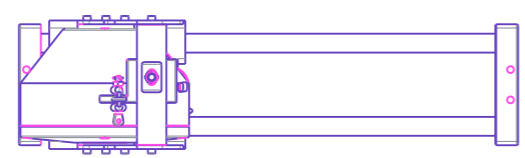
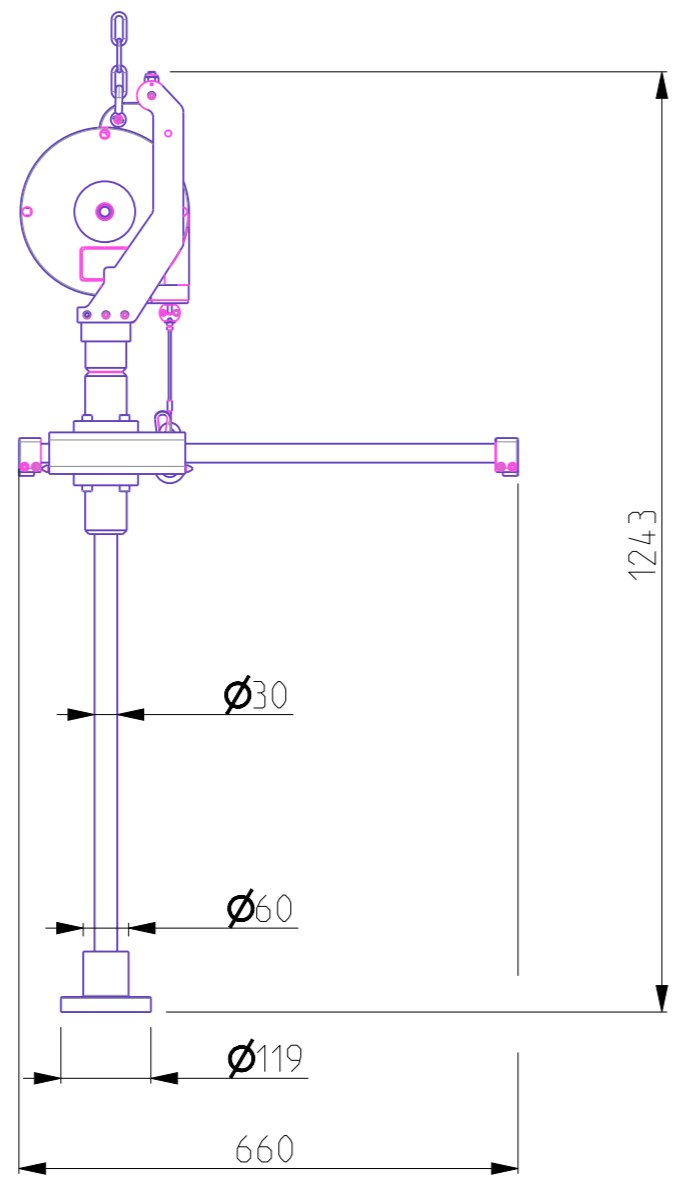
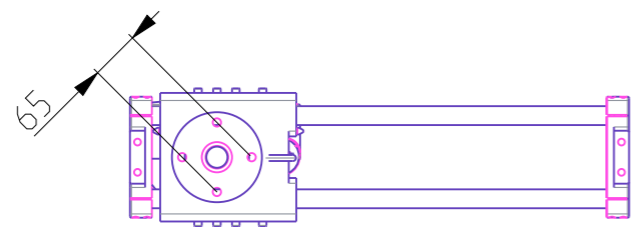

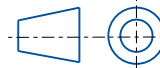


This document is our property and shall not without our permission be altered, copied, used for manufacturing or communicated to any other person or company. Do not get any dimensions directly from the drawing.

Model name	6158116600_DIM	Model Release Level	Rev.Ver
Drawing name	6158116600_DIM	Drawing Release Level	01
		Technical Support	011



01	-	-	Release for Production	2021/11/08	API
REV.N°	ECN.N°	POS.	MODIFICATION DETAILS	DATE YYYY/MM/DD	INIT.

		6158116600_DIM		DATE YYYY/MM/DD			
				2021/11/09			1 / 1
DRG.SIZE	A3	MODEL NAME	6158116600_DIM	WEIGHT	0.000 Kg	RELEASE LEVEL	Technical Support
SCALE	0.1	BLANK DRG.	-	PROTO DRG.	-	DRG.No	6158116600_DIM
DRAWN BY		API		6158116600_DIM		Rev. 01	

RDM005#B