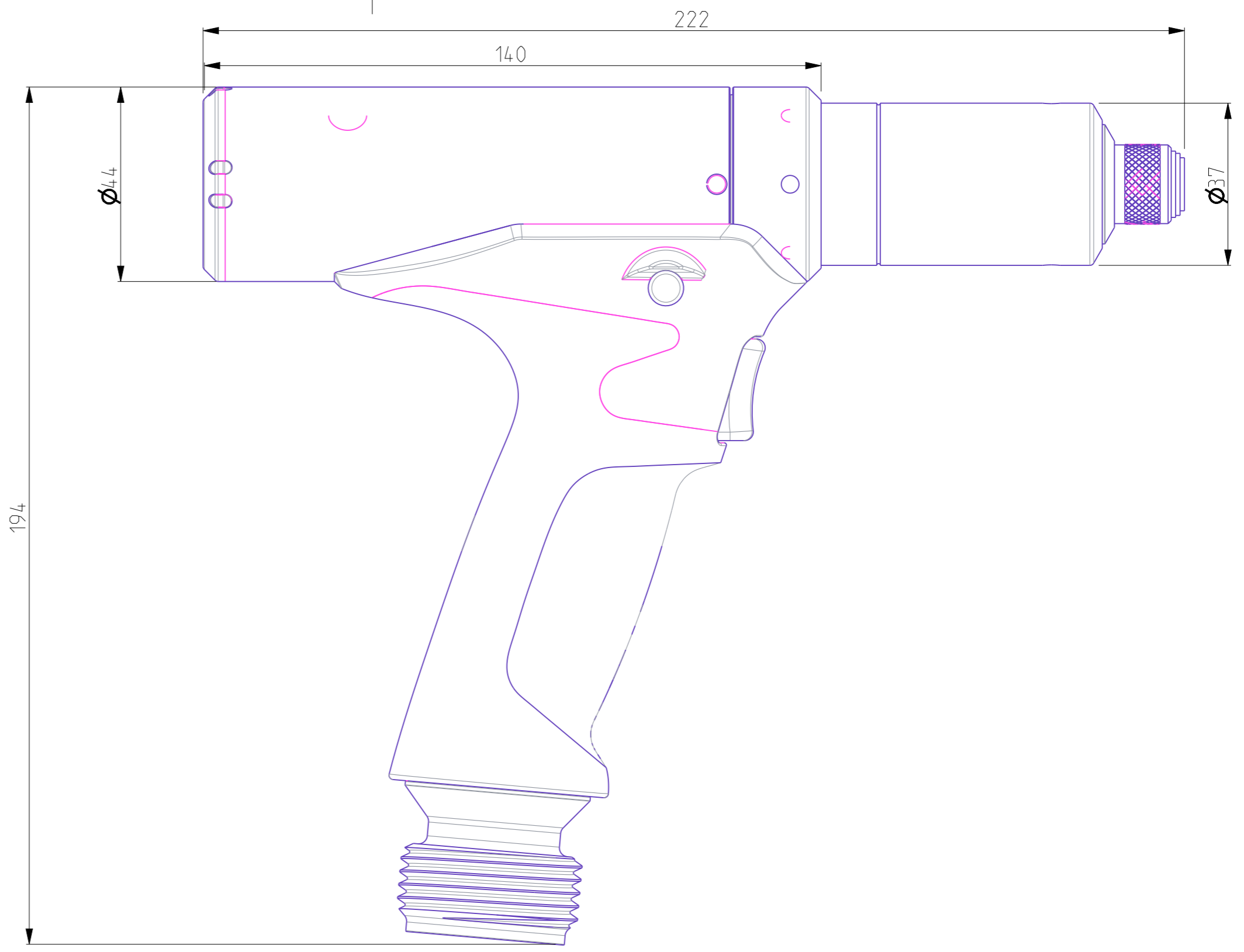
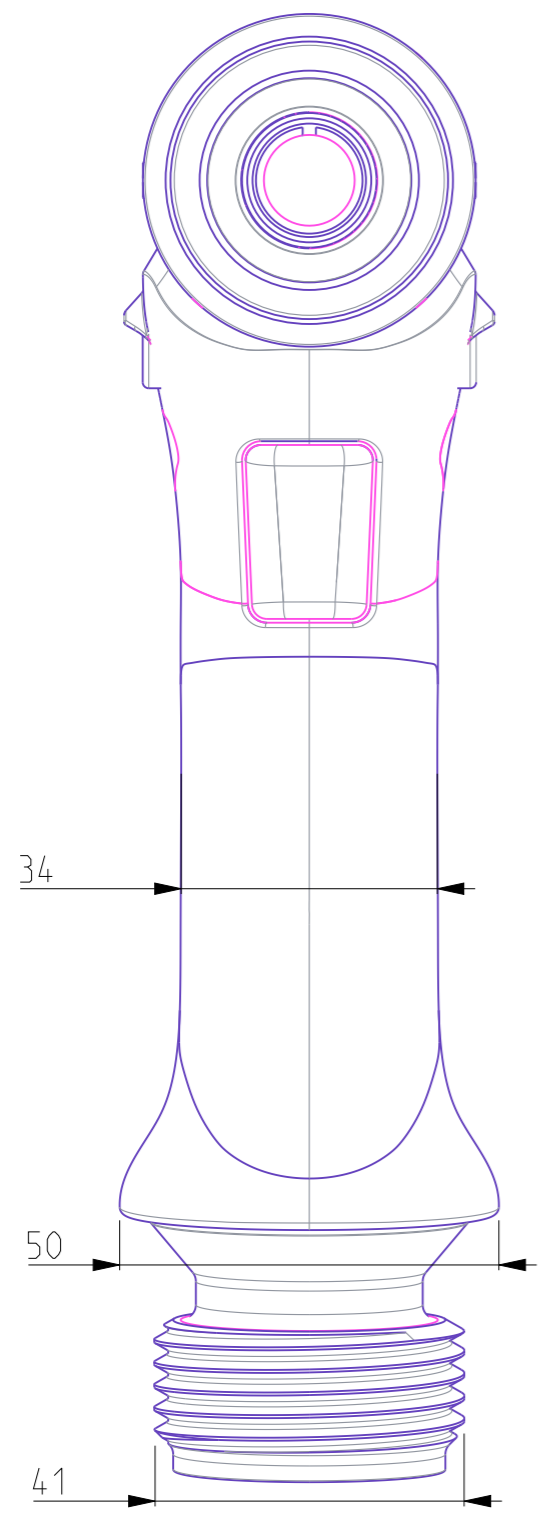

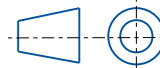


Model name	6151661980_DIM	Model Release Level	Production	Rev.Ver	010
Drawing name	6151661980_DIM	Drawing Release Level	Production	Rev.Ver	011



This document is our property and shall not without our permission be altered, copied, used for manufacturing or communicated to any other person or company. Do not get any dimensions directly from the drawing.

01	-	-	Release for Production	2021/06/16	API
REV.N°	ECN.N°	POS.	MODIFICATION DETAILS	DATE YYYY/MM/DD	INIT.

 DESCRIPTION <h1 style="text-align: center;">ERP5</h1>		DATE YYYY/MM/DD		 1 / 1	
		2021/06/16			Production
DRG.SIZE	MODEL NAME	WEIGHT	RELEASE LEVEL	6151661980_DIM Rev. 01	
A3	6151661980_DIM	0.000 Kg	Production		
SCALE	BLANK DRG.	PROTO DRG.	DRG.No		
1.0					
DRAWN BY					
API					

RDM005FB

G